



US00D700535S

(12) **United States Design Patent**
Graf

(10) **Patent No.:** **US D700,535 S**
(45) **Date of Patent:** **** Mar. 4, 2014**

(54) **BALANCE WHEEL WITH CONTROL KNOBS**

(75) Inventor: **Emmanuel Graf**, Le Locle (CH)

(73) Assignee: **Nivarox-Far S.A.**, Le Locle (CH)

(**) Term: **14 Years**

(21) Appl. No.: **29/425,832**

(22) Filed: **Jun. 27, 2012**

(30) **Foreign Application Priority Data**

Dec. 28, 2011 (WO) DM/077 419

(51) **LOC (10) Cl.** **10-07**

(52) **U.S. Cl.**
USPC **D10/129**; D10/128

(58) **Field of Classification Search**
USPC D10/128, 129, 122, 30-39;
368/169-178, 127-133, 161-164, 158
See application file for complete search history.

(56) **References Cited**

U.S. PATENT DOCUMENTS

57,310	A *	8/1866	French	368/132
165,793	A *	7/1875	Cole	368/132
387,973	A *	8/1888	Giles	368/171
455,787	A *	7/1891	Bilgram	368/171

631,103	A *	8/1899	Borel	368/171
2,806,344	A *	9/1957	Schoenrock	368/175
3,111,807	A *	11/1963	Cloux	368/169
3,262,260	A *	7/1966	Perrot-Audet	368/170
3,517,503	A *	6/1970	Kaulins et al.	368/175
3,534,546	A *	10/1970	Le Van	368/164
3,548,586	A *	12/1970	Klinck	368/169
6,666,575	B2 *	12/2003	Scheufele	368/127
7,237,945	B2 *	7/2007	Geyer	368/178
7,661,875	B2 *	2/2010	Verardo et al.	368/171
7,927,008	B2 *	4/2011	Colpo et al.	368/127
D650,303	S *	12/2011	Greubel et al.	D10/128
D650,717	S *	12/2011	Greubel et al.	D10/128
8,491,183	B2 *	7/2013	Koda et al.	368/127

* cited by examiner

Primary Examiner — Lucy Lieberman

(74) *Attorney, Agent, or Firm* — Donald J. Ranft; Collen IP

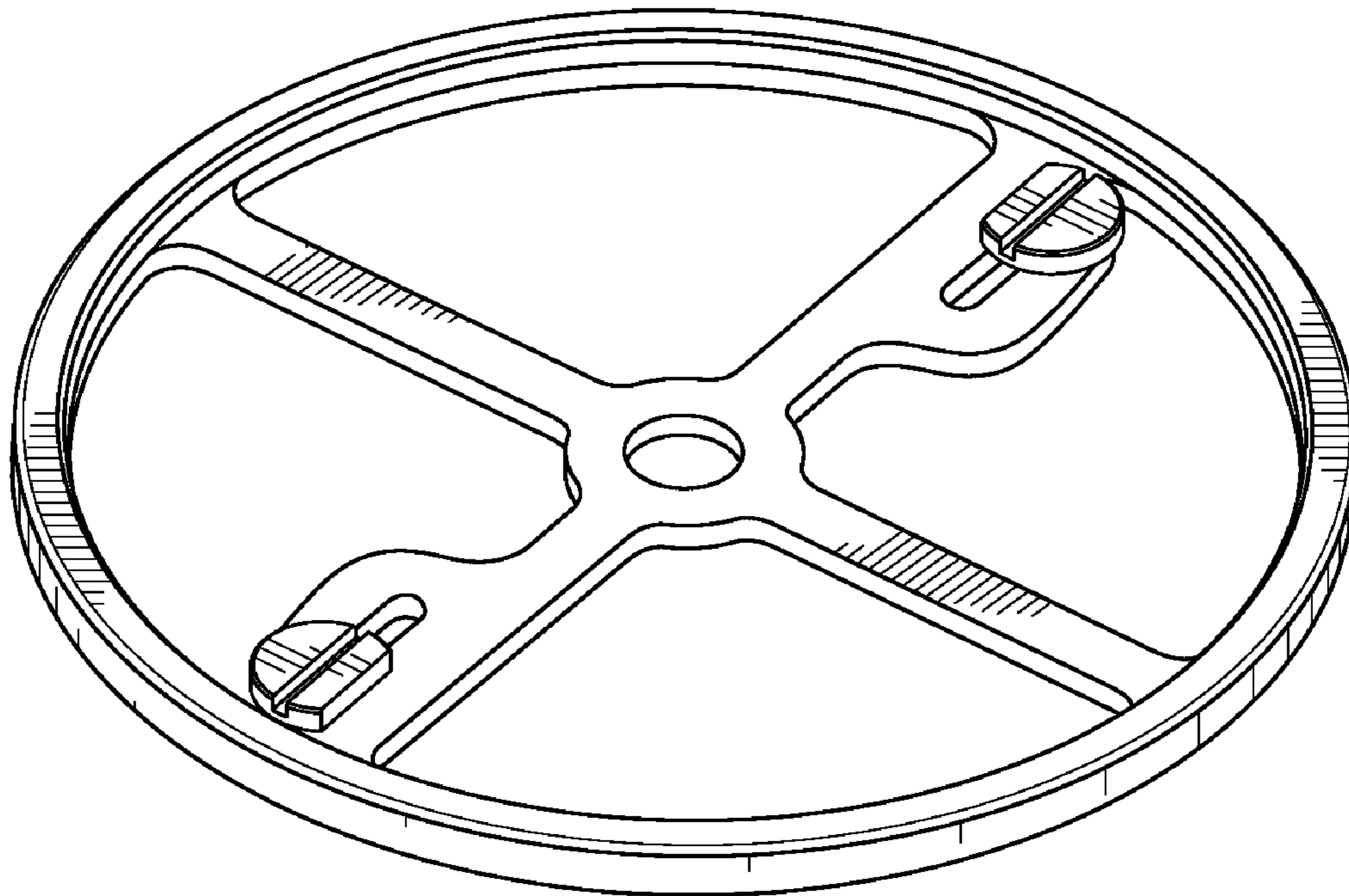
(57) **CLAIM**

The ornamental design for a balance wheel with control knobs, as shown and described.

DESCRIPTION

FIG. 1 is a top perspective view of a balance wheel with control knobs showing my new design;
FIG. 2 is a bottom perspective view thereof;
FIG. 3 is a side view thereof;
FIG. 4 is a top plan view thereof; and,
FIG. 5 is a bottom plan view thereof.

1 Claim, 3 Drawing Sheets



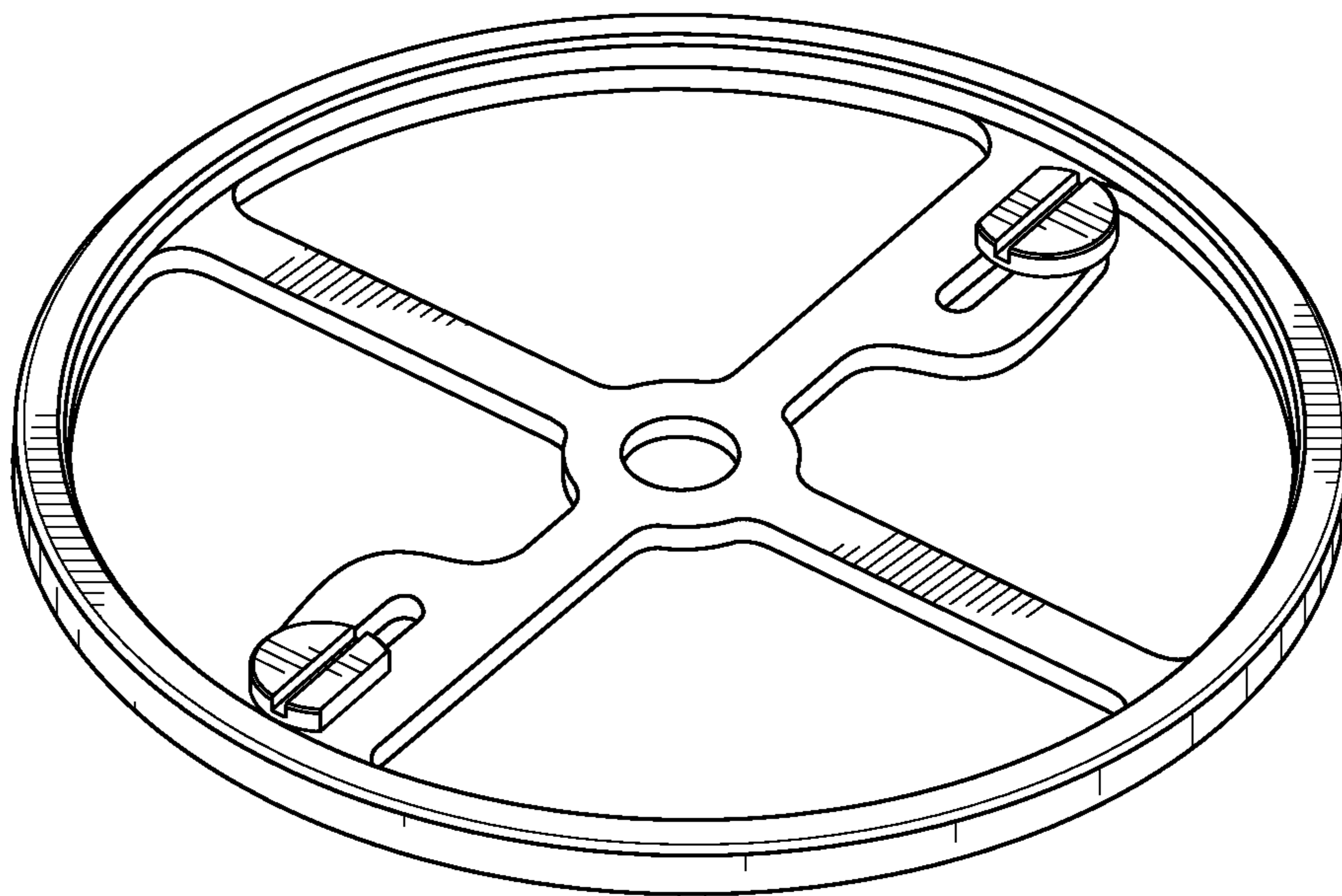


FIG. 1

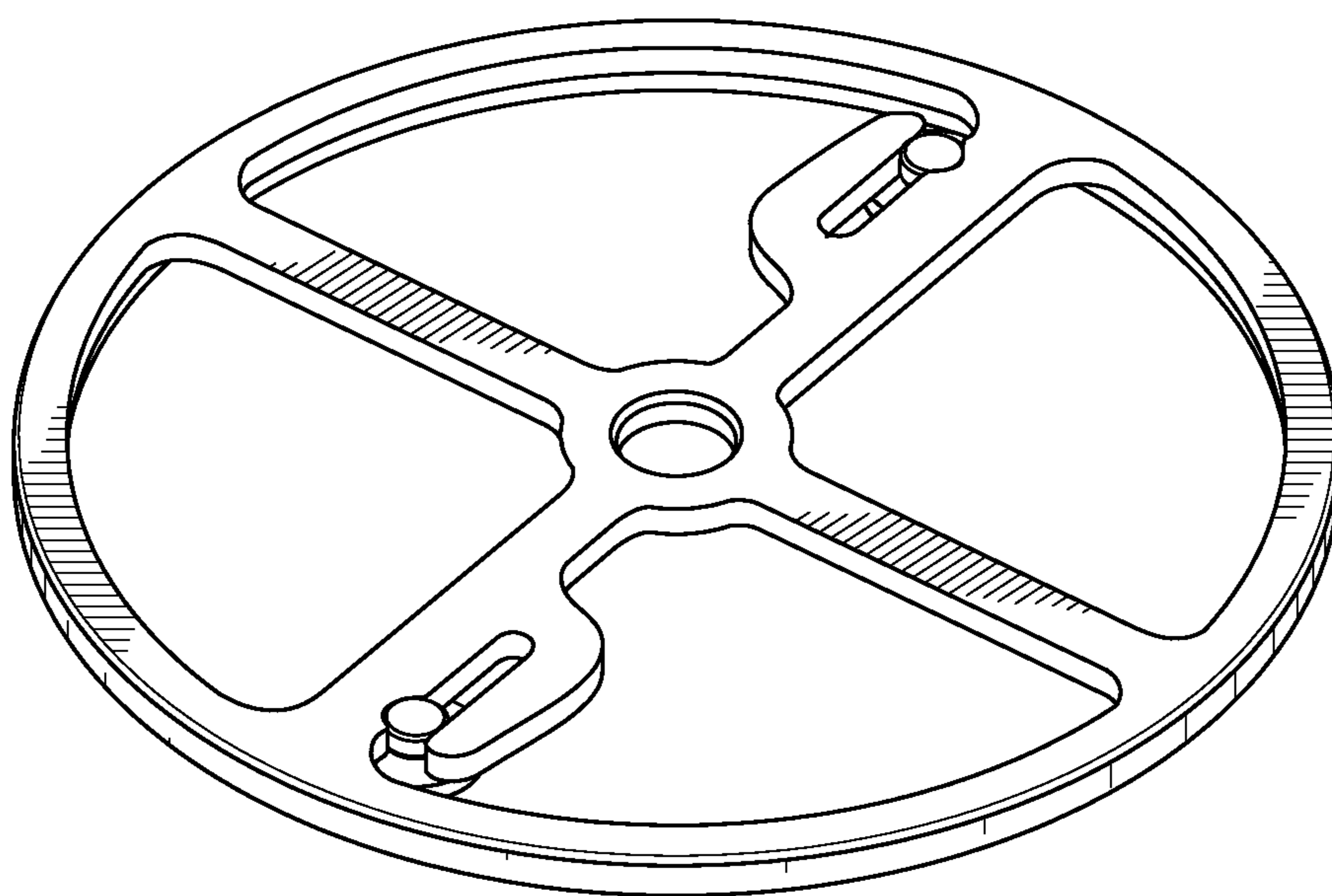


FIG. 2

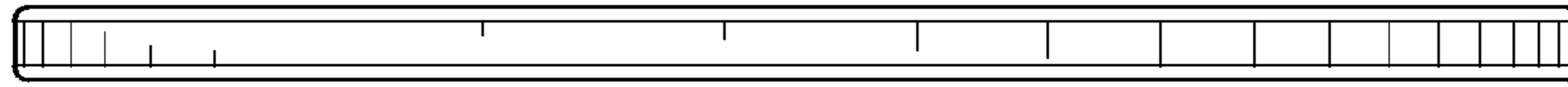


FIG. 3

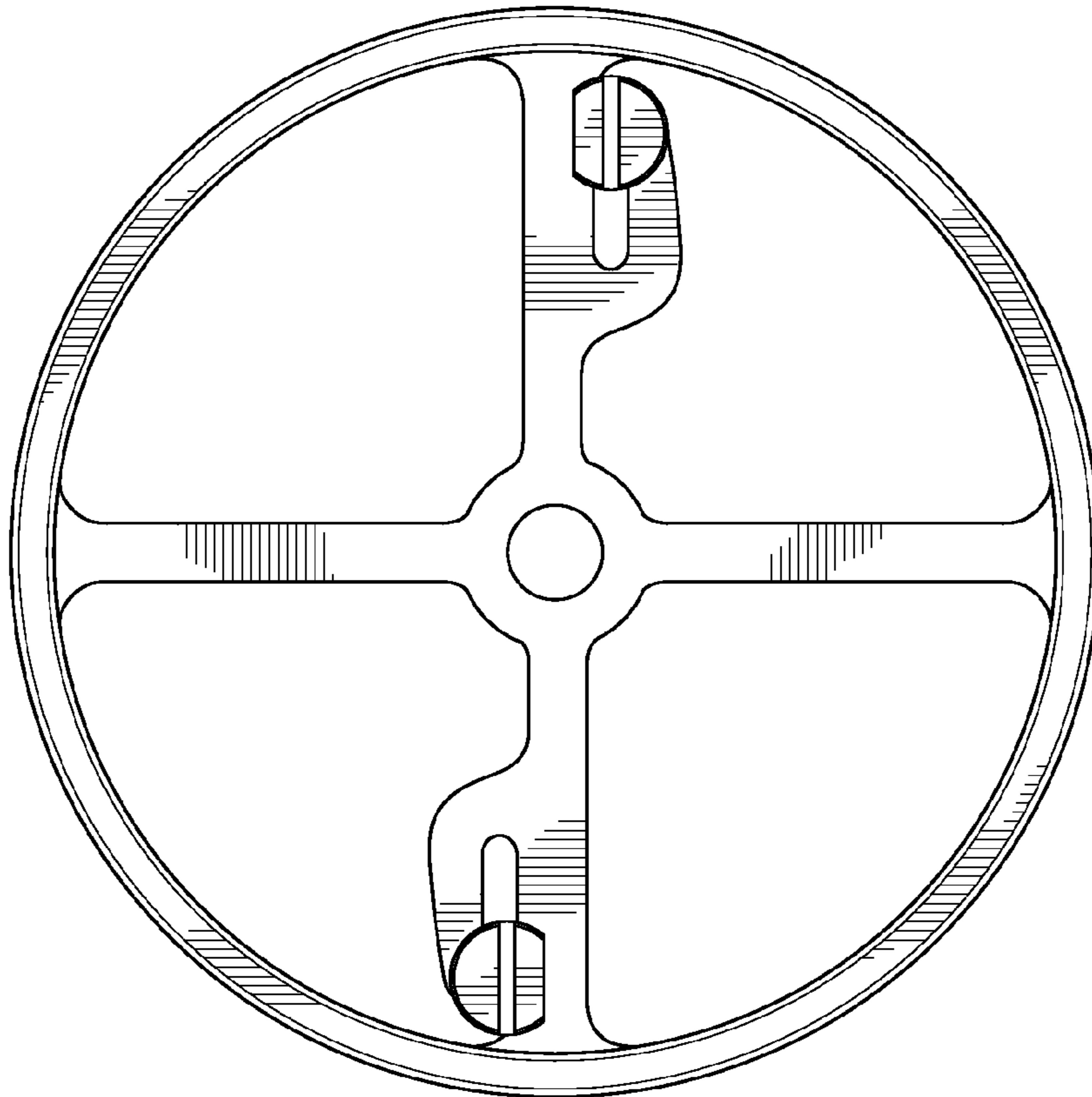


FIG. 4

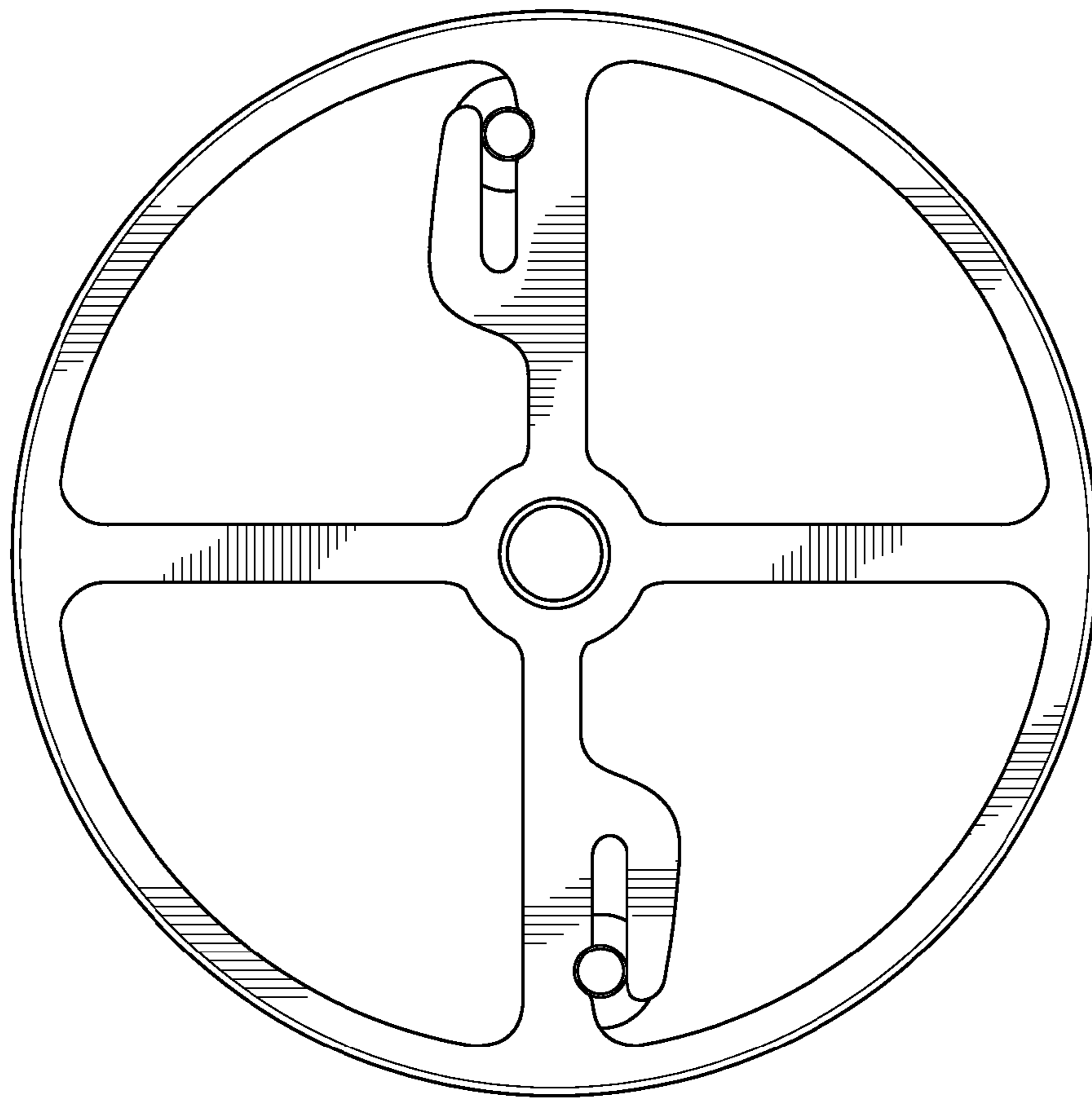


FIG. 5