



US00D700531S

(12) **United States Design Patent**  
**Saunders**

(10) **Patent No.:** **US D700,531 S**  
(45) **Date of Patent:** **\*\* Mar. 4, 2014**

(54) **CONCEALMENT APPARATUS FOR  
IGNITION INTERLOCK DEVICES**

(75) Inventor: **Barry Saunders**, Scottsdale, AZ (US)

(73) Assignee: **Capital Logistics, Inc.**, Carson City, NV (US)

(\*\*) Term: **14 Years**

(21) Appl. No.: **29/416,713**

(22) Filed: **Mar. 26, 2012**

D621,207	S *	8/2010	Bodum	.....	D7/392.1
D631,284	S *	1/2011	Fuller	.....	D7/392.1
D658,059	S *	4/2012	Bailey	.....	D9/447
D664,001	S *	7/2012	Liu	.....	D7/510
2004/0094549	A1	5/2004	Ryan et al.		
2005/0009195	A1	1/2005	Wang		
2006/0016278	A1	1/2006	Duval		
2006/0033628	A1	2/2006	Duval		
2006/0206034	A1	9/2006	Stock et al.		
2006/0217625	A1	9/2006	Forrester, Jr.		
2006/0274493	A1	12/2006	Richardson et al.		
2008/0078824	A1*	4/2008	Spiegel et al.	.....	229/403
2009/0078712	A1	3/2009	Zimmerman		
2010/0012417	A1	1/2010	Walter et al.		

(Continued)

**Related U.S. Application Data**

(63) Continuation-in-part of application No. 13/249,599, filed on Sep. 30, 2011, now abandoned.

(51) **LOC (10) Cl.** ..... **10-04**

(52) **U.S. Cl.**  
USPC ..... **D10/81; D9/447**

(58) **Field of Classification Search**  
USPC ..... **D10/81; D9/447; D7/396.2, 387; 428/542.2; 180/272; 206/305, 306, 206/320, 523, 438; 340/576**  
See application file for complete search history.

(56) **References Cited**

**U.S. PATENT DOCUMENTS**

5,312,013	A	5/1994	Bridges		
5,531,225	A	7/1996	Nawata et al.		
6,123,198	A	9/2000	Pflueger et al.		
6,170,318	B1	1/2001	Lewis		
6,205,040	B1	3/2001	Teichmann		
D516,424	S *	3/2006	Schweigert et al.	.....	D9/447
D540,208	S *	4/2007	Mobley et al.	.....	D10/81
D545,128	S *	6/2007	Liu et al.	.....	D7/507
7,279,132	B2	10/2007	Sultan et al.		
7,377,186	B2	5/2008	Duval		
7,422,723	B1	9/2008	Betsill		
7,451,852	B2	11/2008	Stewart et al.		
7,736,903	B2	6/2010	Lambert et al.		

**OTHER PUBLICATIONS**

Breathalyzer / Ignition Interlock Device Camouflage! : Retrieved from: <http://cgi.ebay.com/Breathalyzer-Ignition-Interlock-Device-Camouflage-/320672729463>, Jun. 29, 2011.

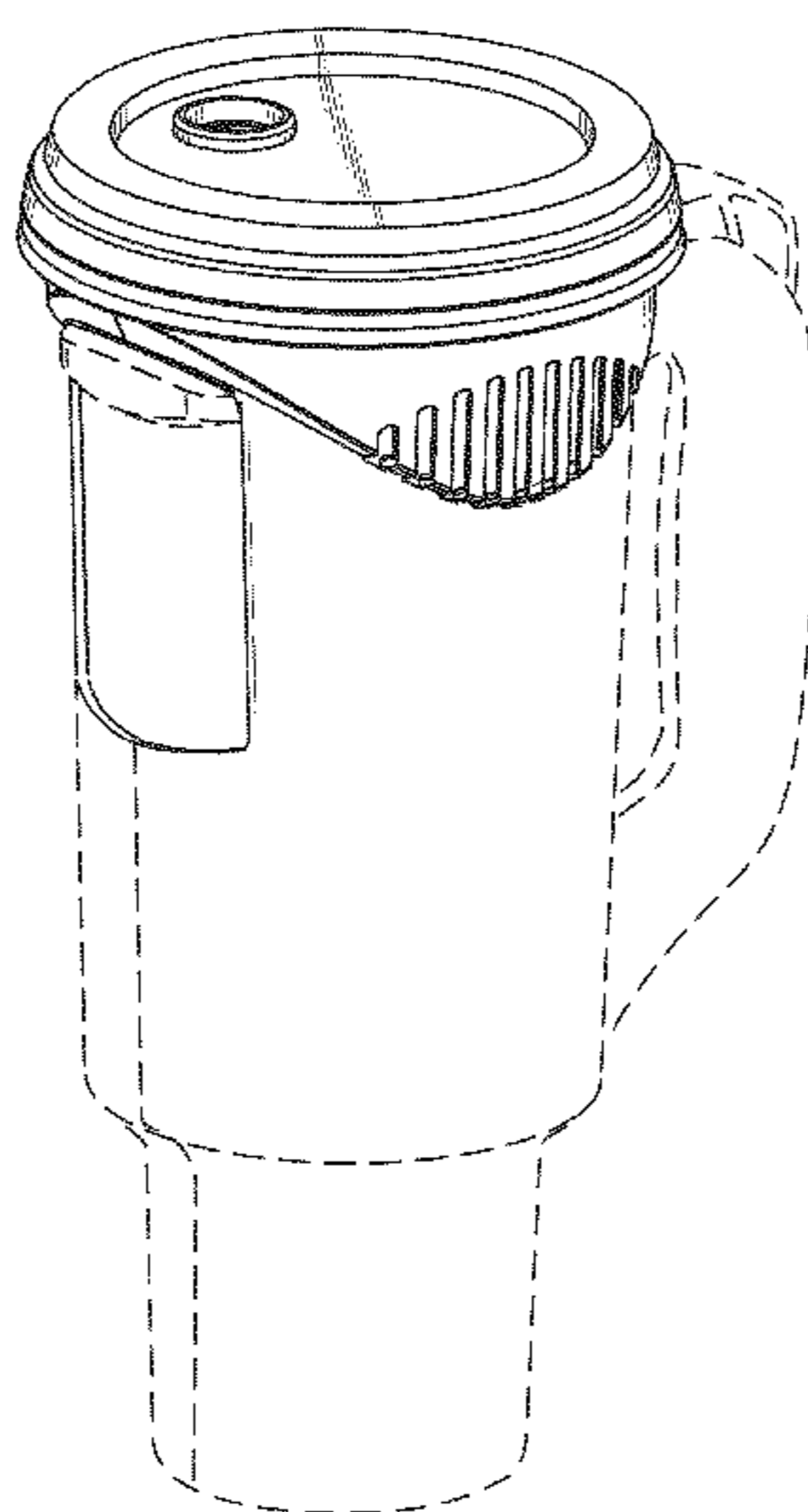
*Primary Examiner* — Phillip S Hyder  
(74) *Attorney, Agent, or Firm* — Myers Bigel Sibley & Sajovec, P.A.

(57) **CLAIM**  
The ornamental design for a concealment apparatus for ignition interlock devices, as shown and described.

**DESCRIPTION**

FIG. 1 is a front perspective view of a concealment apparatus for ignition interlock devices;  
FIG. 2 is a right side view thereof;  
FIG. 3 is a left side view thereof;  
FIG. 4 is a front view of thereof;  
FIG. 5 is a rear view thereof;  
FIG. 6 is a top view thereof; and,  
FIG. 7 is a bottom view thereof.  
The broken lines in the drawings illustrate environmental features that form no part of the claimed design.

**1 Claim, 6 Drawing Sheets**



(56)

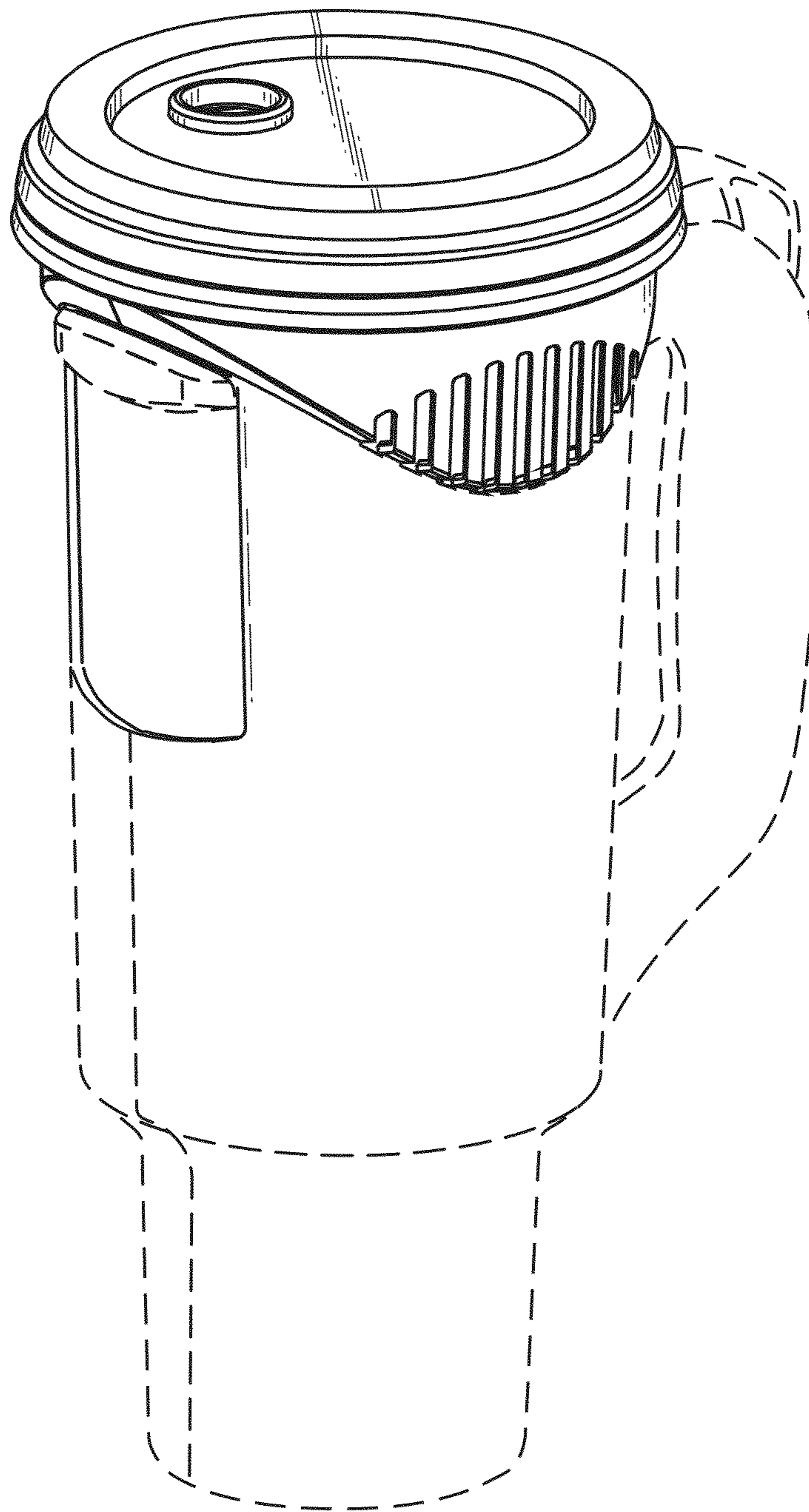
**References Cited**

U.S. PATENT DOCUMENTS

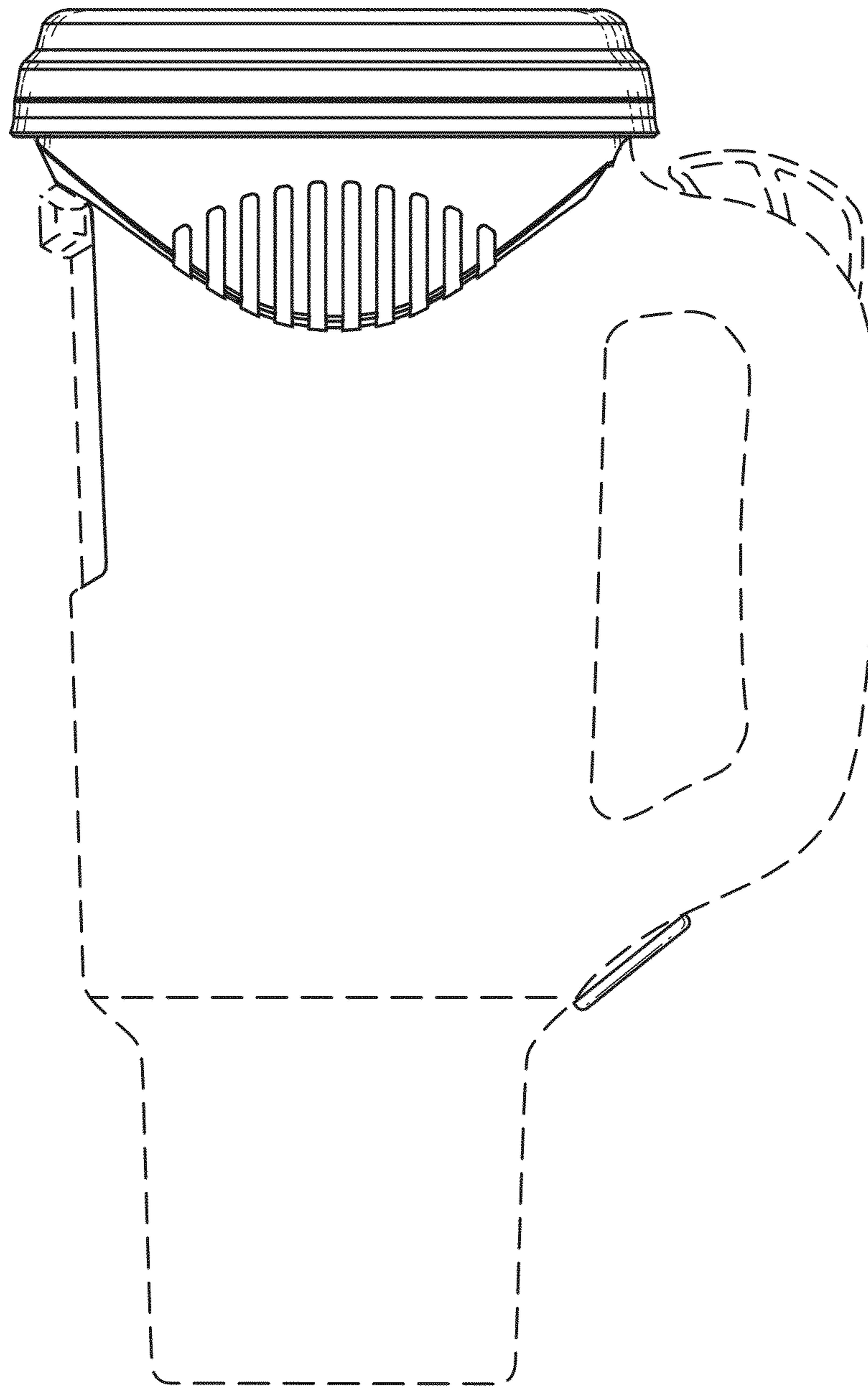
2010/0063408 A1 3/2010 Nothacker et al.  
2010/0269566 A1 10/2010 Carroll  
2011/0050407 A1 3/2011 Schoenfeld  
2011/0079073 A1 4/2011 Keays

2012/0031166 A1 2/2012 Lopez et al.  
2012/0048753 A1 3/2012 Johnson-Griggs  
2012/0075094 A1 3/2012 Keays  
2012/0118769 A1 5/2012 Conner et al.  
2012/0234708 A1 9/2012 Chabot  
2012/0244371 A1 9/2012 Flores

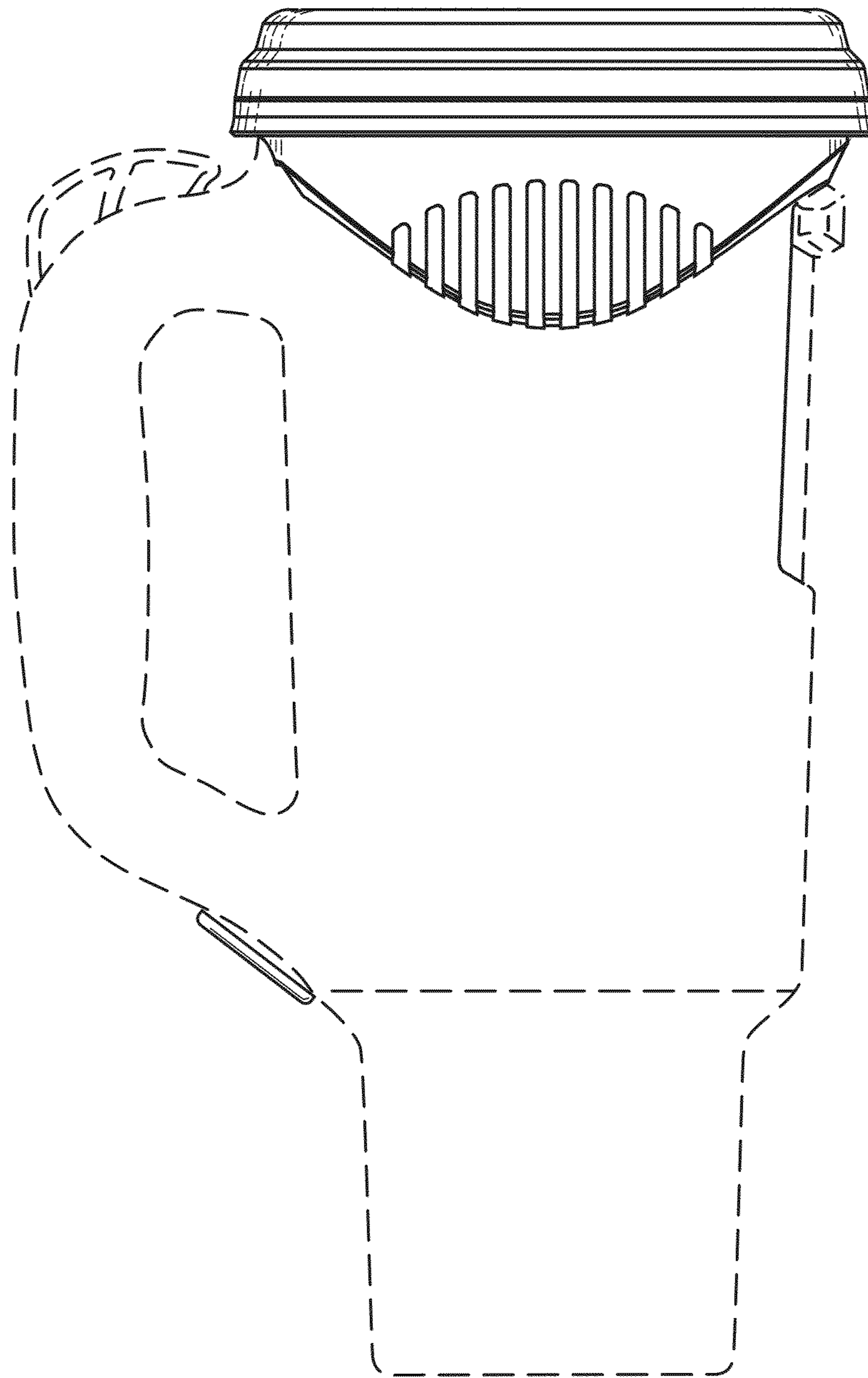
\* cited by examiner



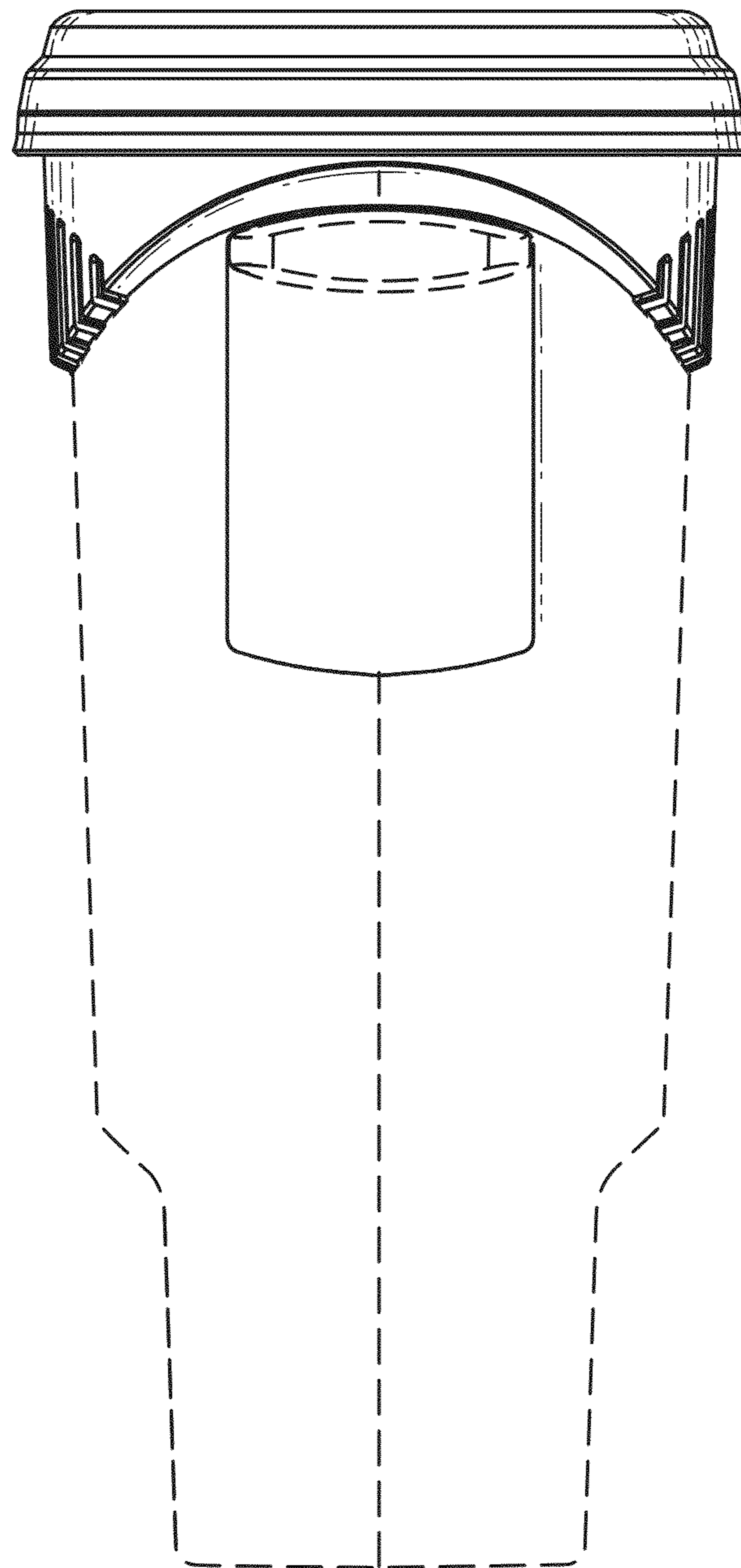
**FIG. 1**



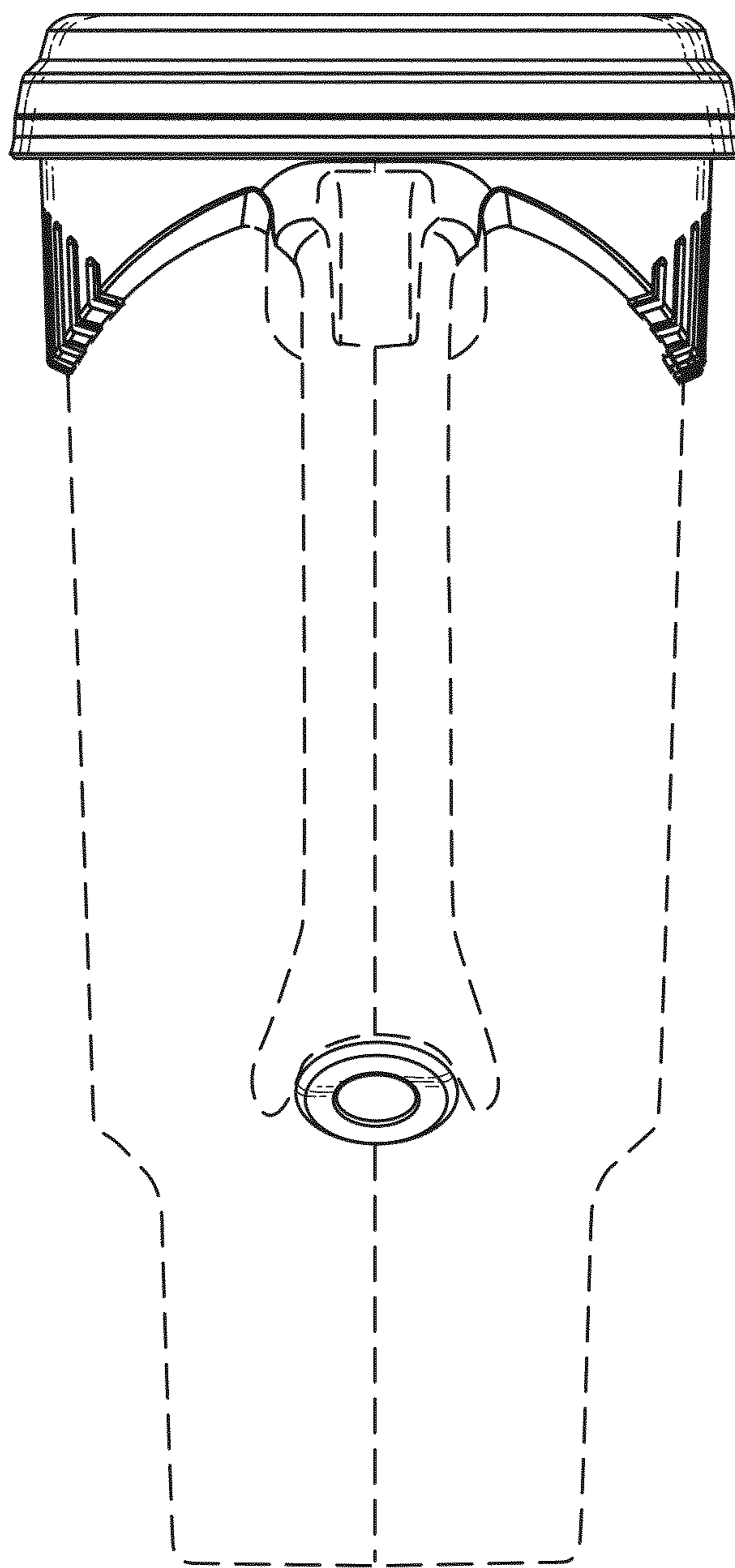
**FIG. 2**



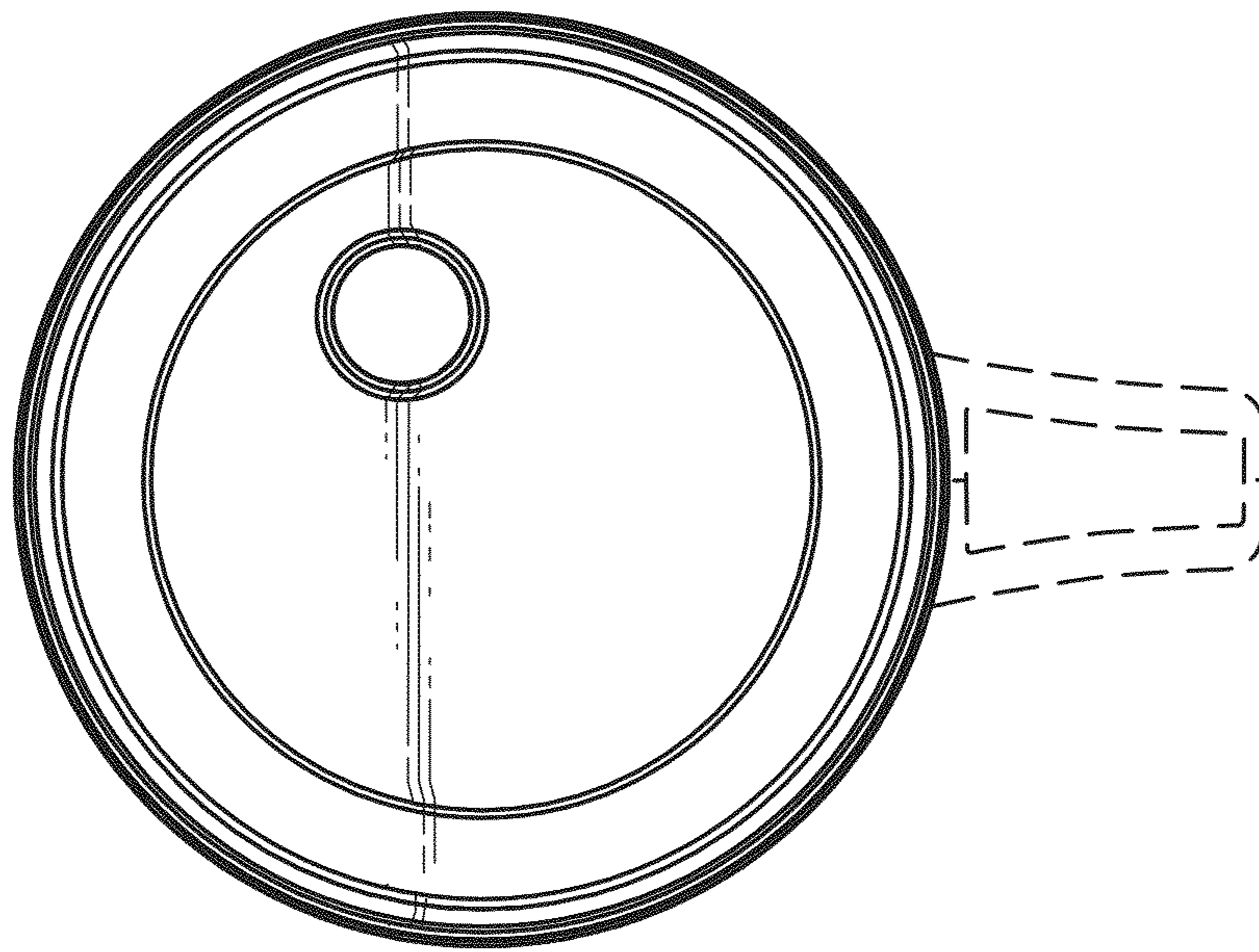
**FIG. 3**



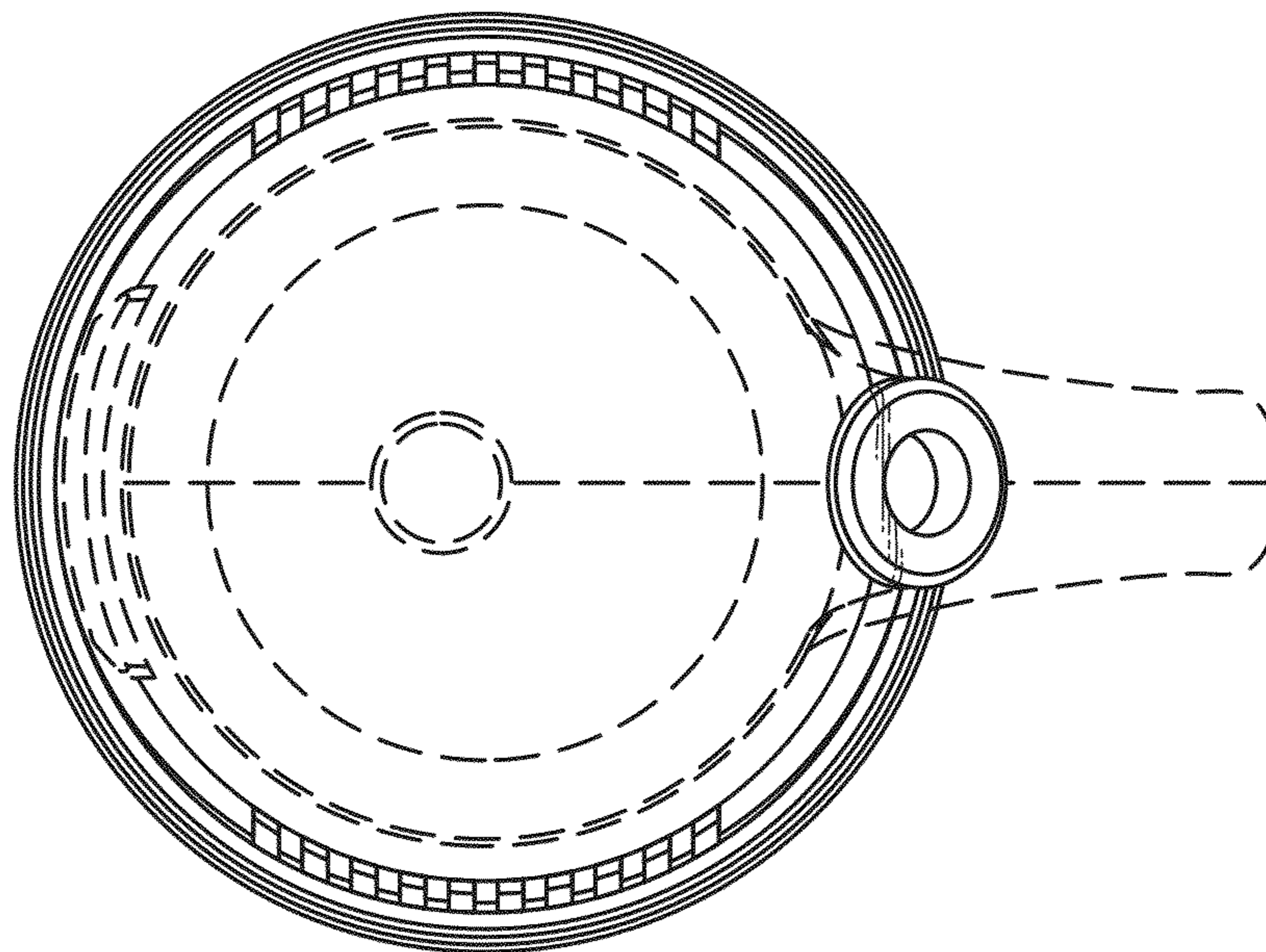
**FIG. 4**



**FIG. 5**



**FIG. 6**



**FIG. 7**