



US00D700530S

(12) **United States Design Patent**
Carl

(10) **Patent No.:** **US D700,530 S**
(45) **Date of Patent:** **** Mar. 4, 2014**

(54) **TAPE MEASURE**

(56) **References Cited**

(71) Applicant: **Sears Brands, LLC**, Hoffman Estates, IL (US)

U.S. PATENT DOCUMENTS

(72) Inventor: **Ross Carl**, River Forest, IL (US)

D578,910	S	*	10/2008	Deguglimo et al.	D10/72
D597,426	S	*	8/2009	Huang	D10/72
D653,973	S	*	2/2012	Robinson et al.	D10/72
2012/0073156	A1	*	3/2012	DeLaRosa et al.	33/770
2012/0240423	A1	*	9/2012	Kang	33/767
2012/0260514	A1	*	10/2012	Delneo et al.	33/769

(73) Assignee: **Sears Brands, L.L.C.**, Hoffman Estates, IL (US)

(**) Term: **14 Years**

* cited by examiner

(21) Appl. No.: **29/436,491**

Primary Examiner — Antoine D Davis

(74) *Attorney, Agent, or Firm* — McAndrews Held & Malloy, Ltd.

(22) Filed: **Nov. 6, 2012**

(57) **CLAIM**

The ornamental design for a tape measure, as shown and described.

Related U.S. Application Data

DESCRIPTION

(63) Continuation of application No. 29/390,997, filed on May 2, 2011, now Pat. No. Des. 670,183.

(51) **LOC (10) Cl.** **10-04**

(52) **U.S. Cl.**
USPC **D10/74; D10/72**

(58) **Field of Classification Search**
USPC D10/72, 74; 33/755-771; 242/285, 291, 242/379, 379.1, 379.2, 381, 381.1-381.6, 242/405

FIG. 1 is a perspective view of a tape measure showing my new design;

FIG. 2 is a right side elevational view thereof;

FIG. 3 is a left side elevational view thereof;

FIG. 4 is a rear elevational view thereof;

FIG. 5 is a front elevational view thereof;

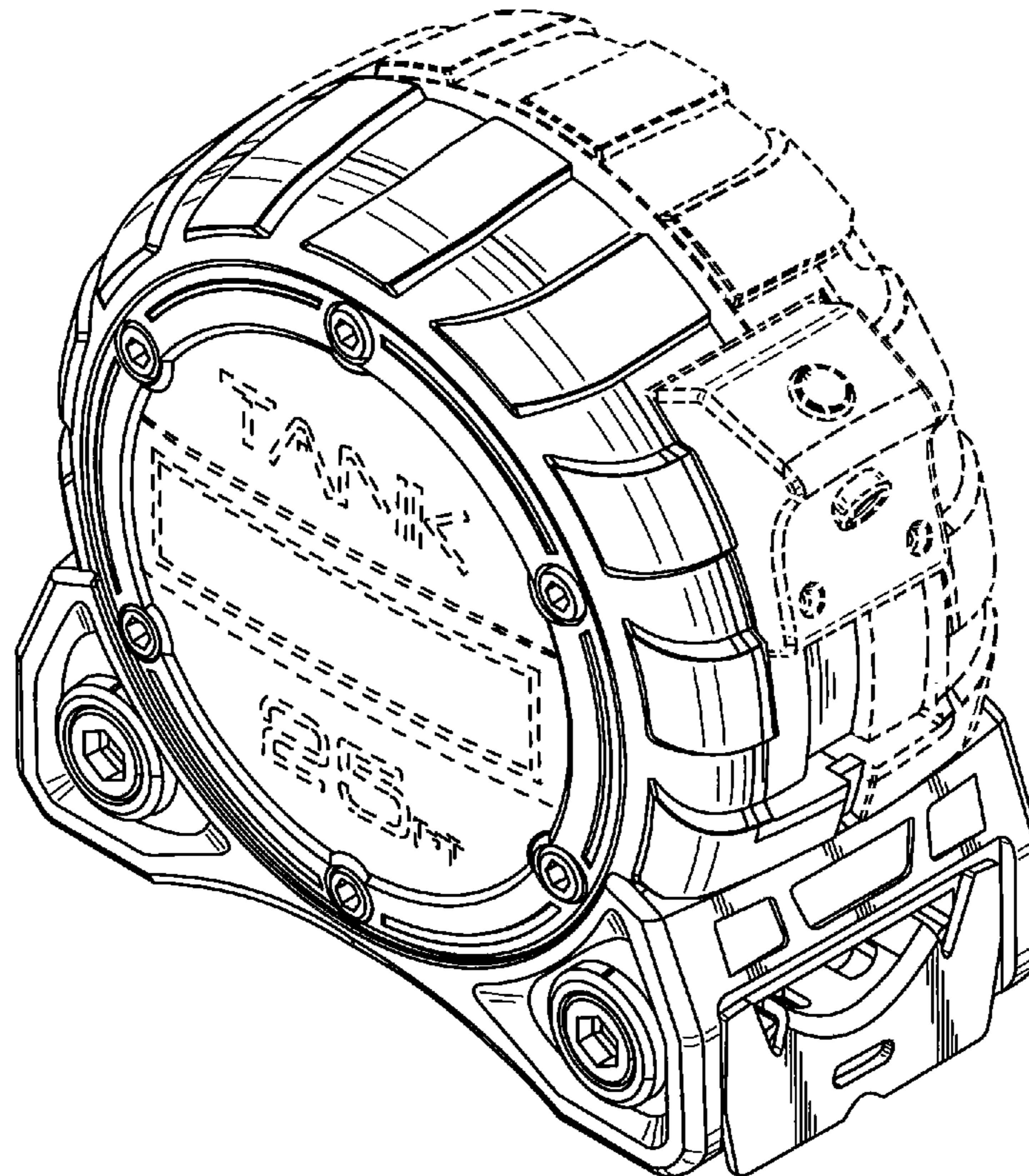
FIG. 6 is a top plan view thereof; and,

FIG. 7 is a bottom plan view thereof.

The broken lines illustrate portions of the tape measure and form no part of the claimed design.

See application file for complete search history.

1 Claim, 6 Drawing Sheets



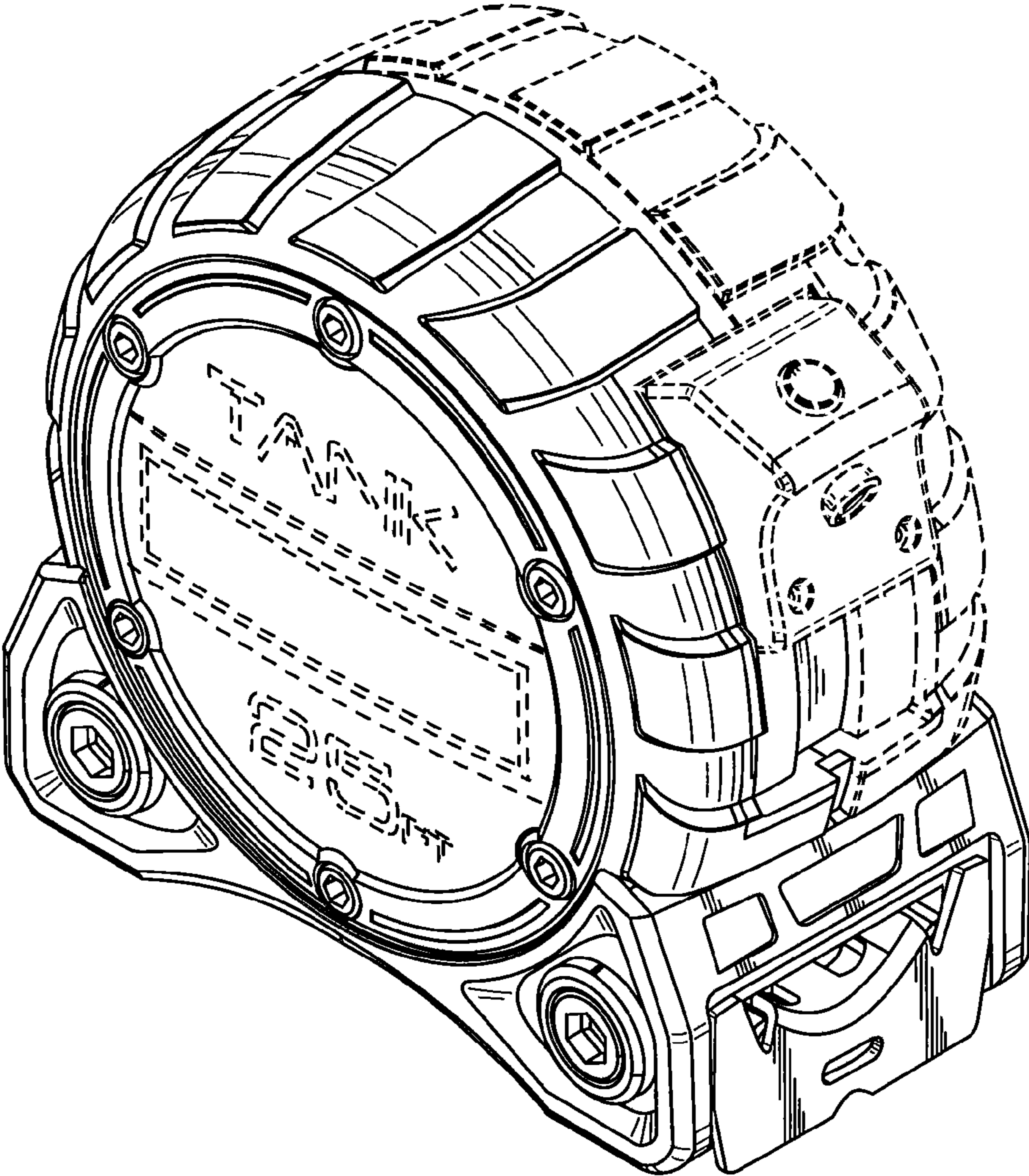


FIG. 1

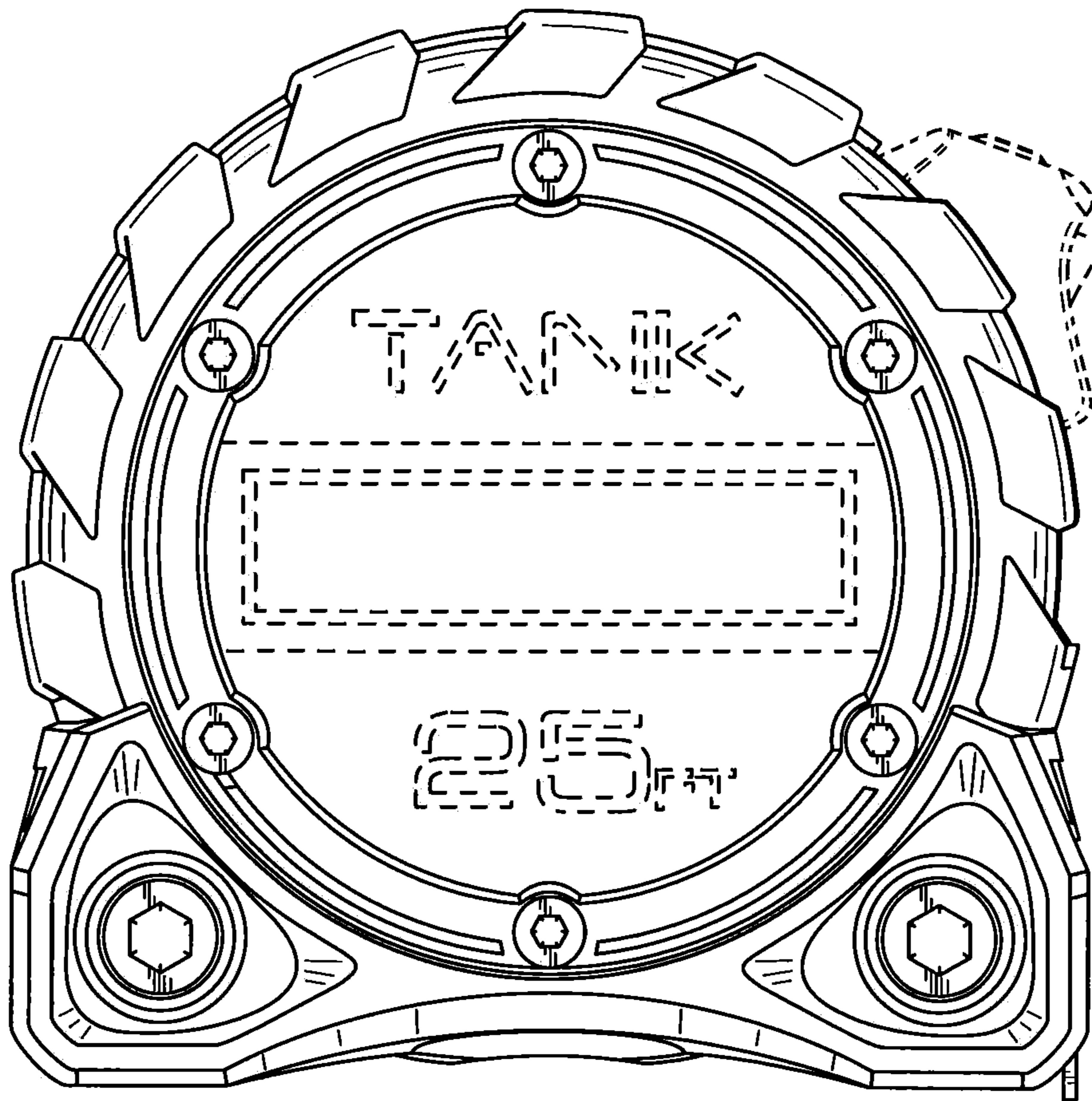


FIG. 2

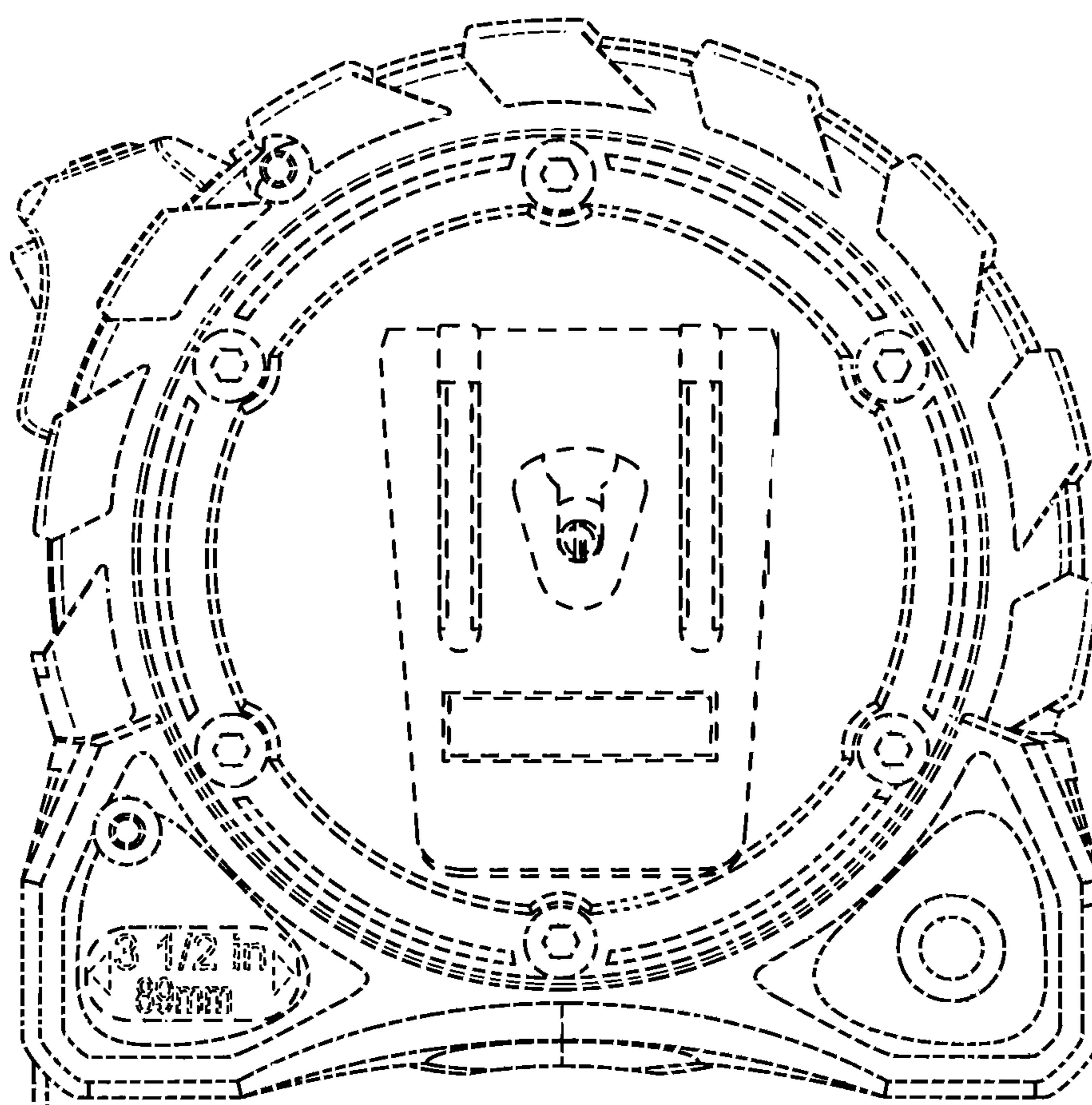


FIG. 3

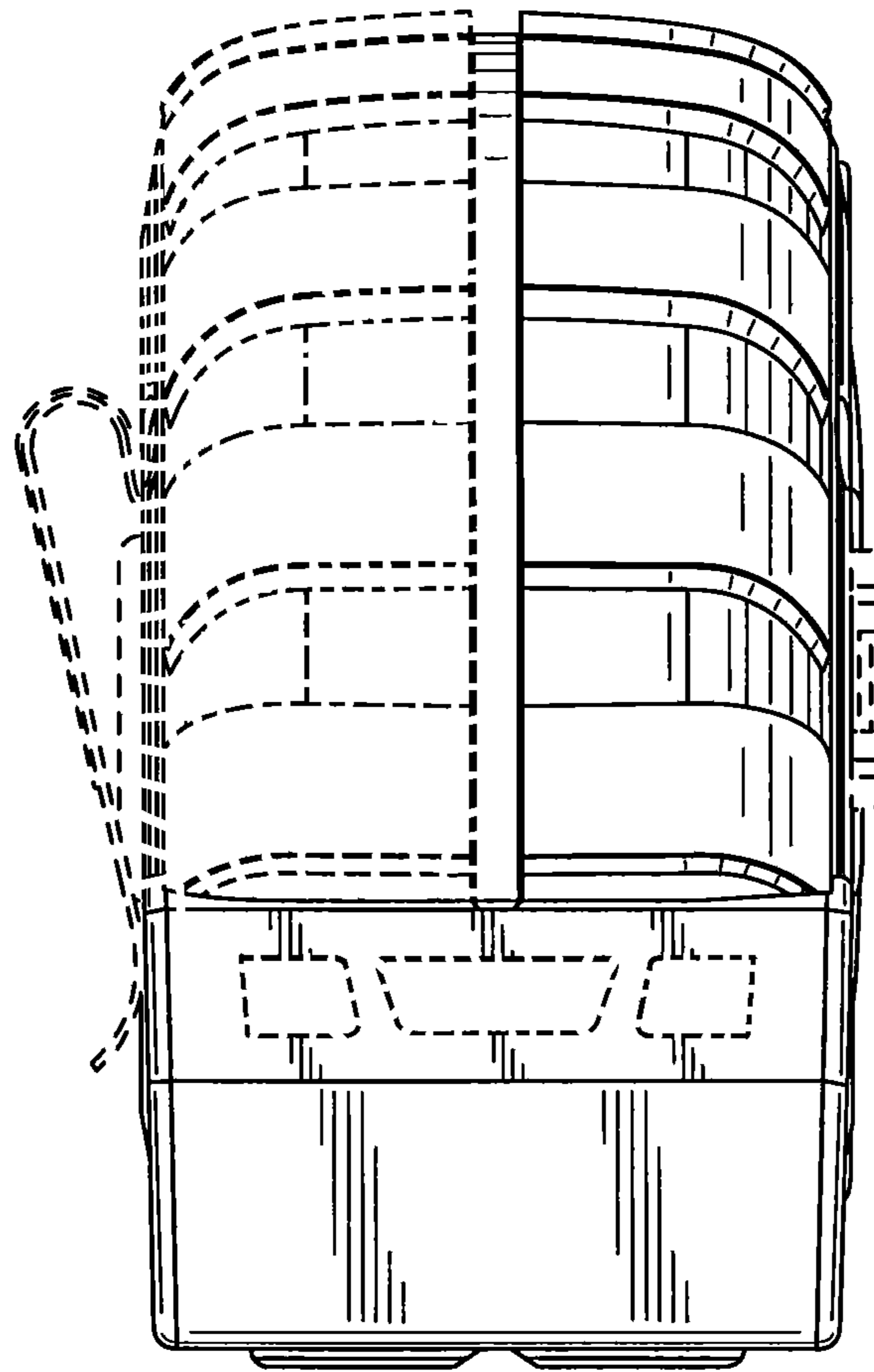


FIG. 4

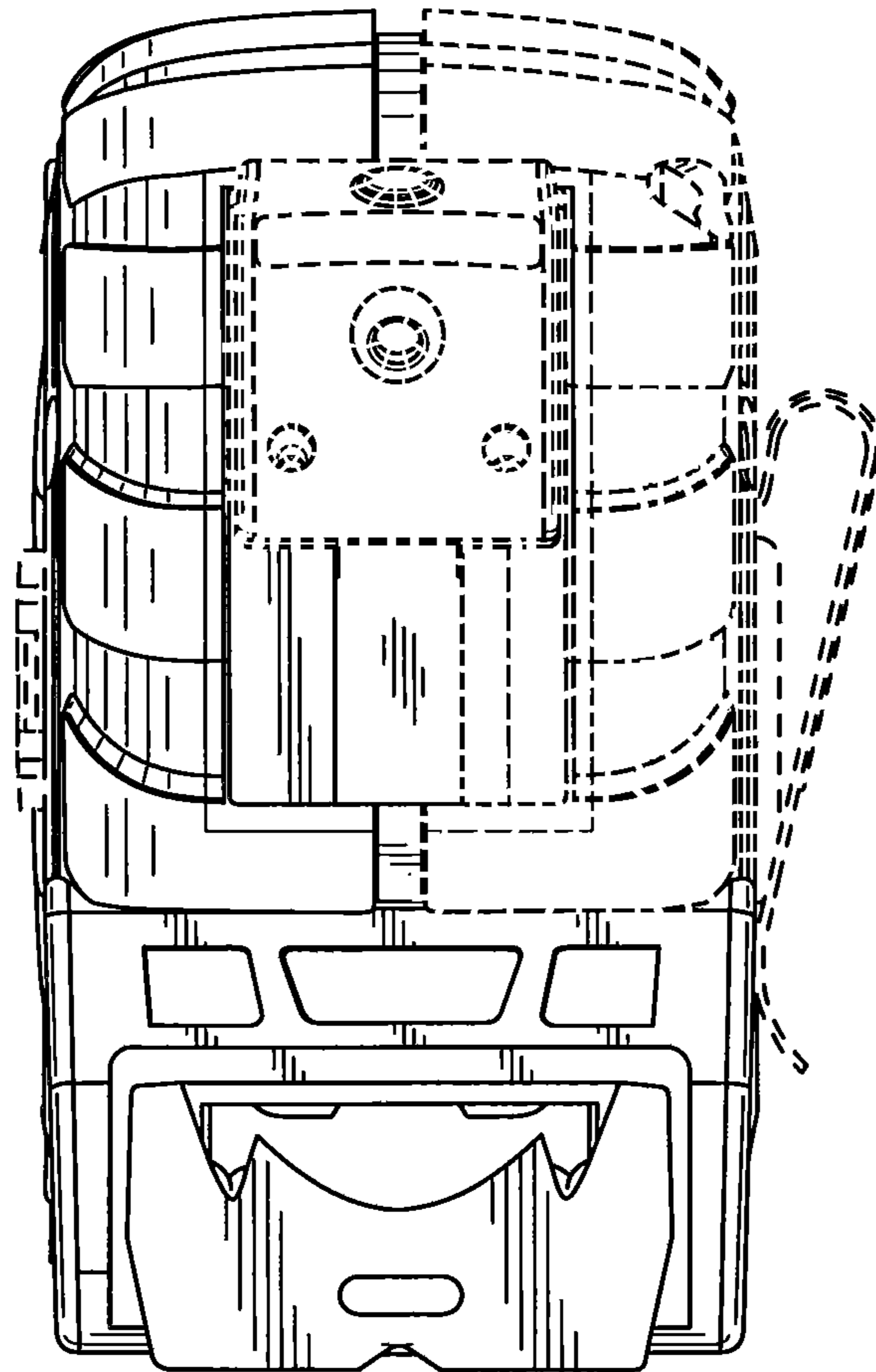


FIG. 5

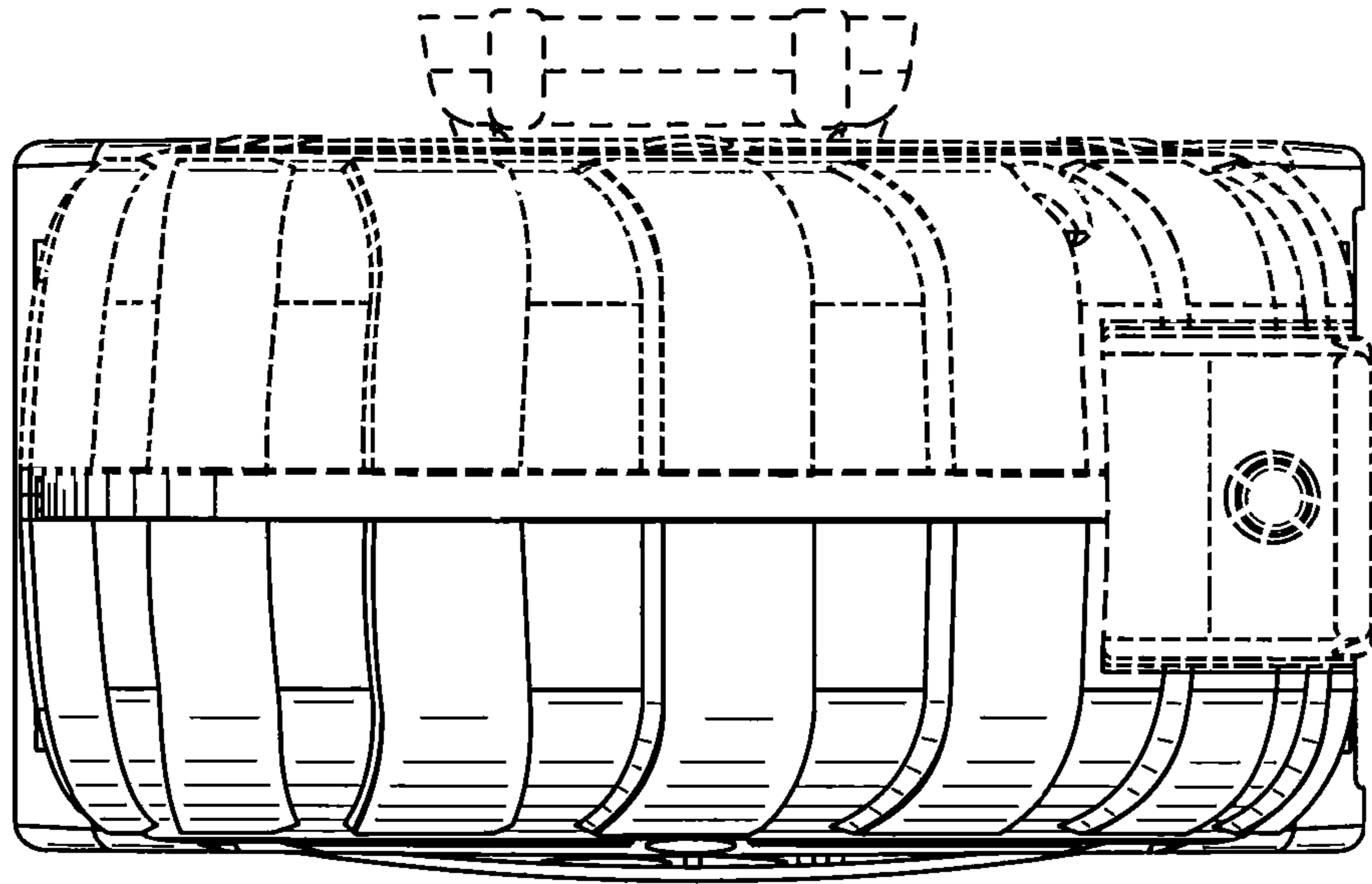


FIG. 6

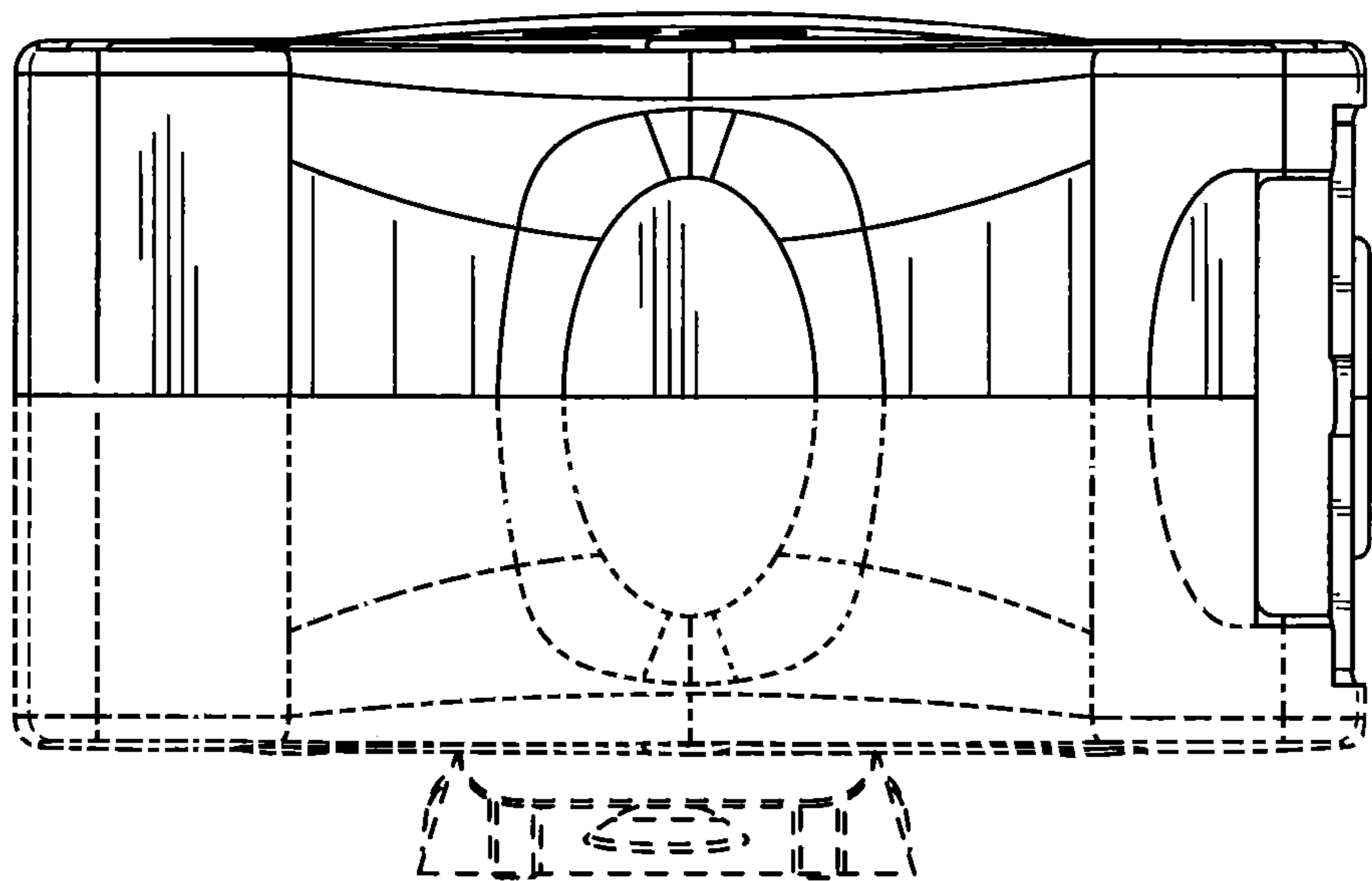


FIG. 7