



US00D700526S

(12) **United States Design Patent**
Borg et al.

(10) **Patent No.:** **US D700,526 S**
(45) **Date of Patent:** **** Mar. 4, 2014**

(54) **BOTTLE CARRIER WITH GRASPABLE LOOP**

D238,249 S * 12/1975 Erickson D9/752
D238,657 S * 2/1976 Erickson D9/752
4,712,680 A * 12/1987 Panazzolo 206/427

(71) Applicant: **Oregon Precision Industries, Inc.**,
Eugene, OR (US)

(Continued)

(72) Inventors: **Zakary James Borg**, Eugene, OR (US);
Ronald Lee Mellor, Jr., Springfield, OR (US)

Primary Examiner — Mark Goodwin

(74) *Attorney, Agent, or Firm* — Alleman Hall McCoy
Russell & Tuttle LLP

(73) Assignee: **Oregon Precision Industries, Inc.**,
Eugene, OR (US)

(57) **CLAIM**

The ornamental design for a bottle carrier with graspable loop, as shown and described.

(**) Term: **14 Years**

DESCRIPTION

(21) Appl. No.: **29/454,510**

FIG. 1 is a top front perspective view of an ornamental design for a bottle carrier with graspable loop according to the present invention.

(22) Filed: **May 10, 2013**

FIG. 2 is a bottom rear perspective view thereof.

(51) **LOC (10) Cl.** **09-03**

FIG. 3 is a top view thereof.

(52) **U.S. Cl.**

FIG. 4 is a front view thereof, the back view being a mirror image thereof.

USPC **D9/752**

(58) **Field of Classification Search**

FIG. 5 is a front view thereof, additionally illustrating in dashed lines a hand lifting the bottle carrier by the graspable loops, as well as bottles secured within the bottle carrier.

USPC D9/750, 751, 752, 753, 754, 455, 456;
D3/315; 206/150, 151, 159, 160, 161,
206/199, 821, 200, 145, 216, 164, 430, 503,
206/509, 427, 206; 294/87.2, 87.28, 159
See application file for complete search history.

FIG. 6 is a right side view thereof.

FIG. 7 is a left side view thereof; and,

FIG. 8 is a bottom view thereof.

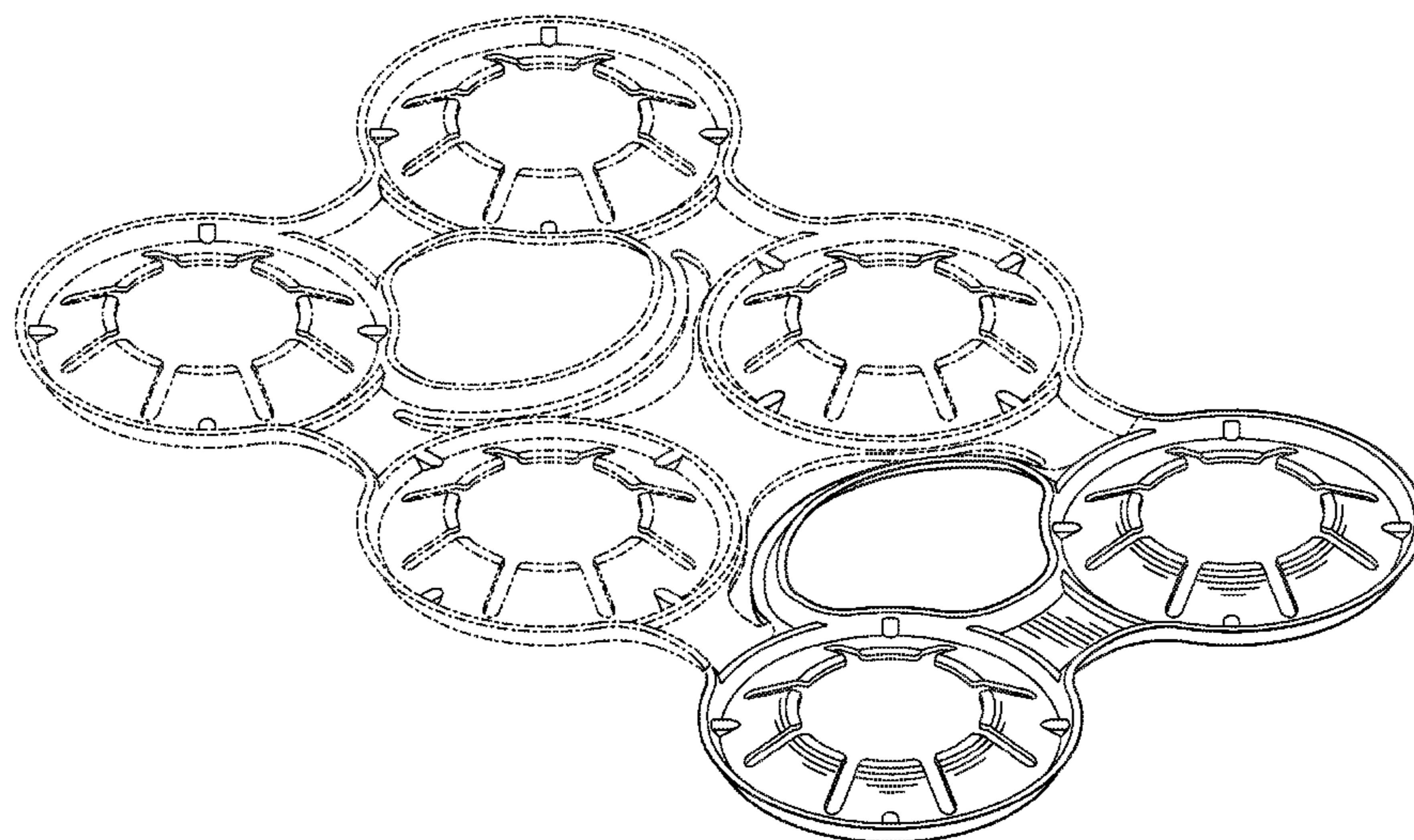
(56) **References Cited**

Dashed lines in FIGS. 1-8 illustrate environment in the form of additional rings and an additional graspable loop of the bottle carrier into which the claimed design can be incorporated, and thus form no part of the claimed design. In FIGS. 1-8, two rings and a graspable loop are shown and claimed in solid lines; however, it will be appreciated that additional disclosed features, such as additional rings and/or an additional graspable loop, may be later claimed in this or a related application. Additional dashed lines in FIG. 5 illustrate environment in the form of a hand shown grasping loops of the bottle carrier, and bottles secured within rings of the bottle carrier. The dashed lines illustrating the hand and bottles in FIG. 5 also form no part of the claimed design.

U.S. PATENT DOCUMENTS

- 2,865,669 A * 12/1958 Linthicum 294/87.2
- D192,893 S * 5/1962 Brunsing D9/752
- D194,199 S * 12/1962 Poupitch D9/752
- D197,356 S * 1/1964 De Shazor, Jr. D9/752
- D197,357 S * 1/1964 De Shazor, Jr. D9/752
- D197,358 S * 1/1964 De Shazor, Jr. D9/752
- D199,284 S * 9/1964 Petrone D9/752
- 3,268,070 A * 8/1966 Cunningham 206/150
- D237,465 S * 11/1975 Calvert D9/752
- D237,466 S * 11/1975 Calvert D9/752
- D237,589 S * 11/1975 Calvert D9/752
- D238,146 S * 12/1975 Calvert D9/752

1 Claim, 6 Drawing Sheets



(56)

References Cited

U.S. PATENT DOCUMENTS

D294,331 S *	2/1988	Panazzolo	D9/752	D405,687 S *	2/1999	Borg	D9/752
4,823,959 A *	4/1989	Bixler	206/562	D408,277 S *	4/1999	Erickson	D9/752
D310,027 S *	8/1990	Bixler	D9/752	D412,663 S *	8/1999	Erickson	D9/752
D329,807 S *	9/1992	Heider	D9/752	D413,800 S *	9/1999	Caparros et al.	D9/752
5,188,413 A *	2/1993	Nathan	294/87.2	D502,406 S *	3/2005	Eddings	D9/752
D348,002 S *	6/1994	Jones	D3/316	D505,083 S *	5/2005	Tabeshnekoo	D9/752
D349,459 S *	8/1994	Borg	D9/455	7,588,275 B2 *	9/2009	Borg	294/87.2
D350,695 S *	9/1994	Adami et al.	D3/316	D628,348 S *	11/2010	Chao	D30/199
D354,227 S *	1/1995	Adami et al.	D9/752	7,823,943 B2 *	11/2010	Borg	294/87.2
D356,733 S *	3/1995	Adami et al.	D9/752	7,861,853 B2 *	1/2011	Borg	206/151
D360,362 S *	7/1995	Strong	D9/455	D653,560 S *	2/2012	Smithers	D9/752
					2005/0167289 A1 *	8/2005	Borg	206/151
					2007/0296231 A1 *	12/2007	Borg	294/87.2

* cited by examiner

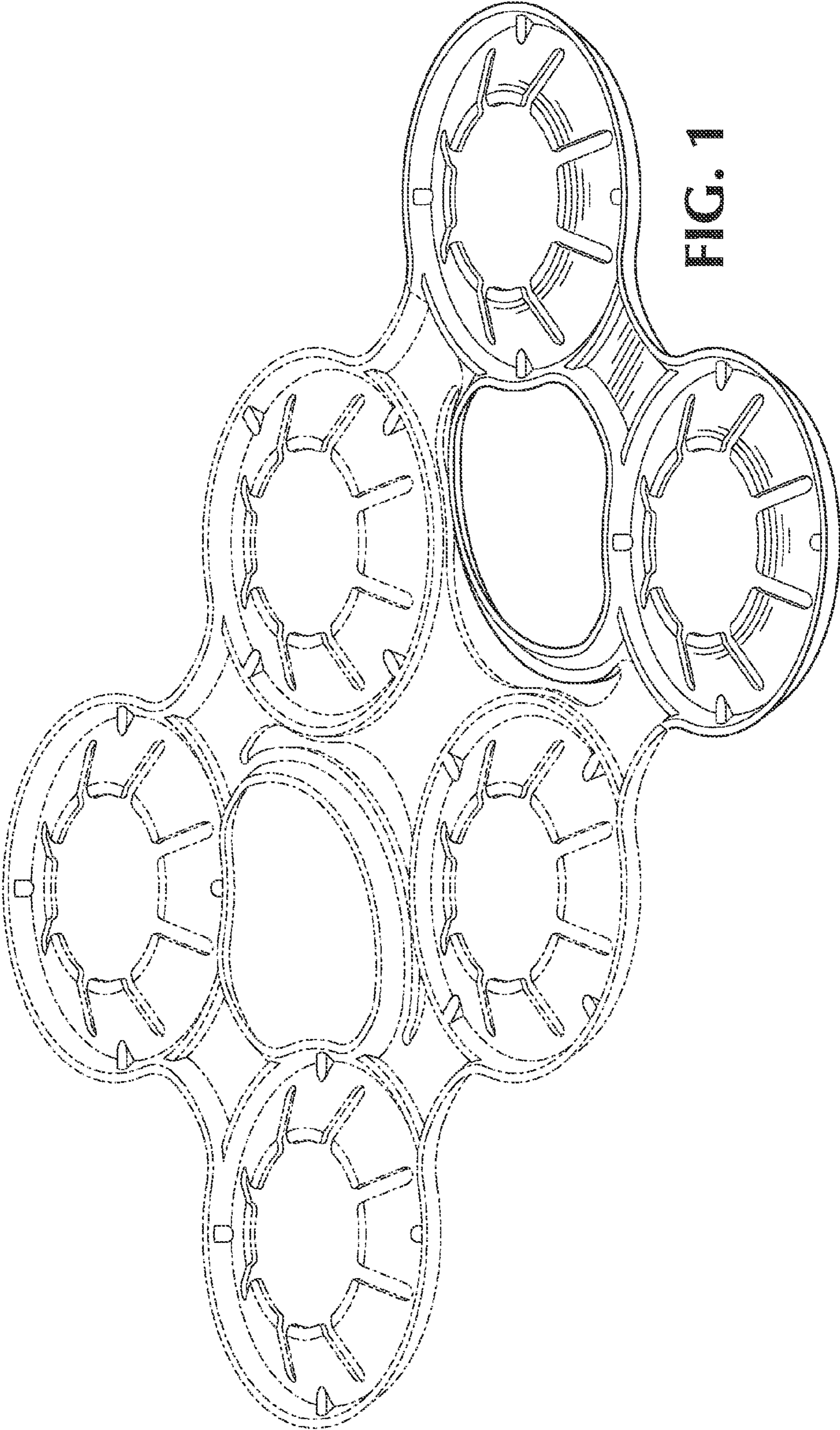


FIG. 1

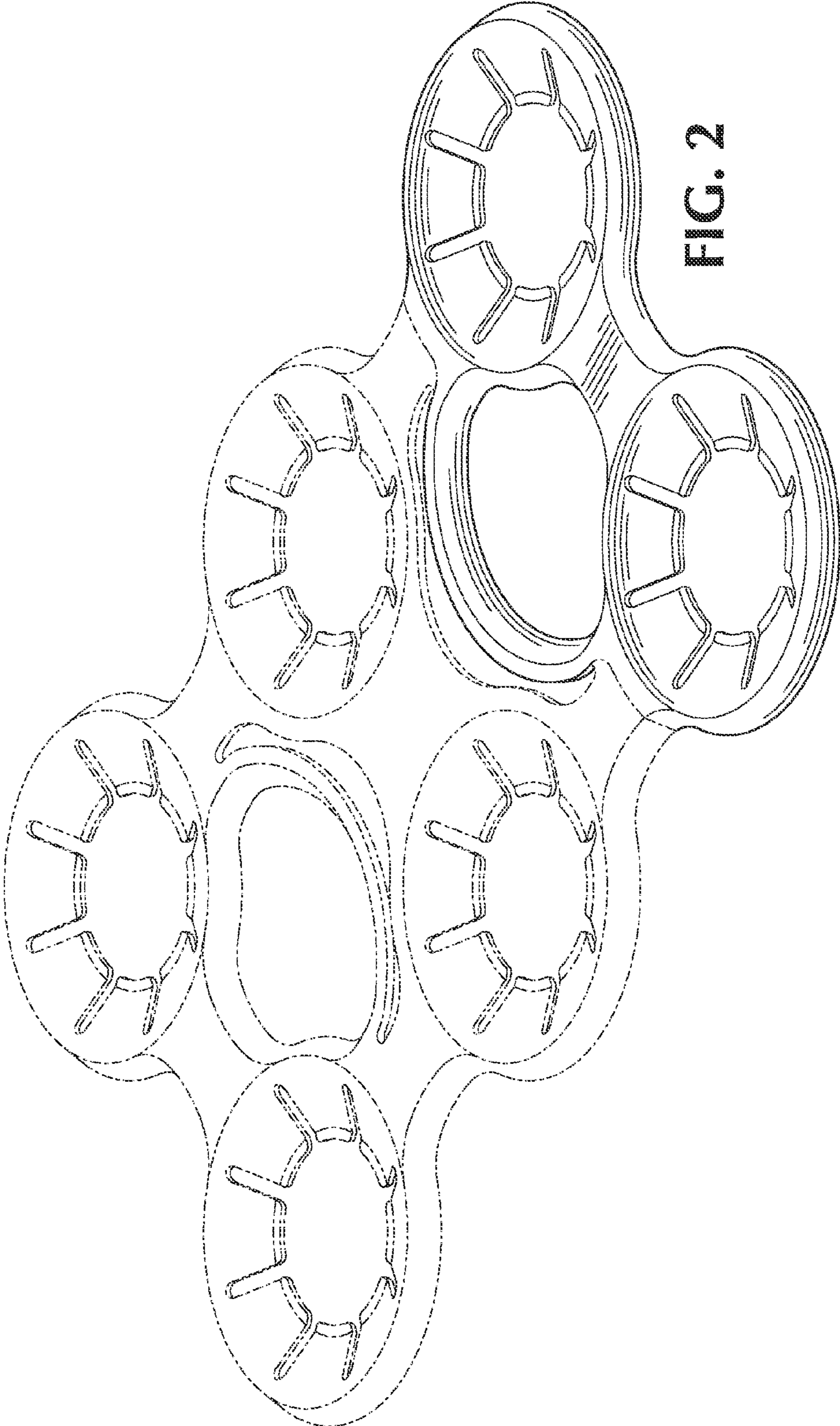


FIG. 2

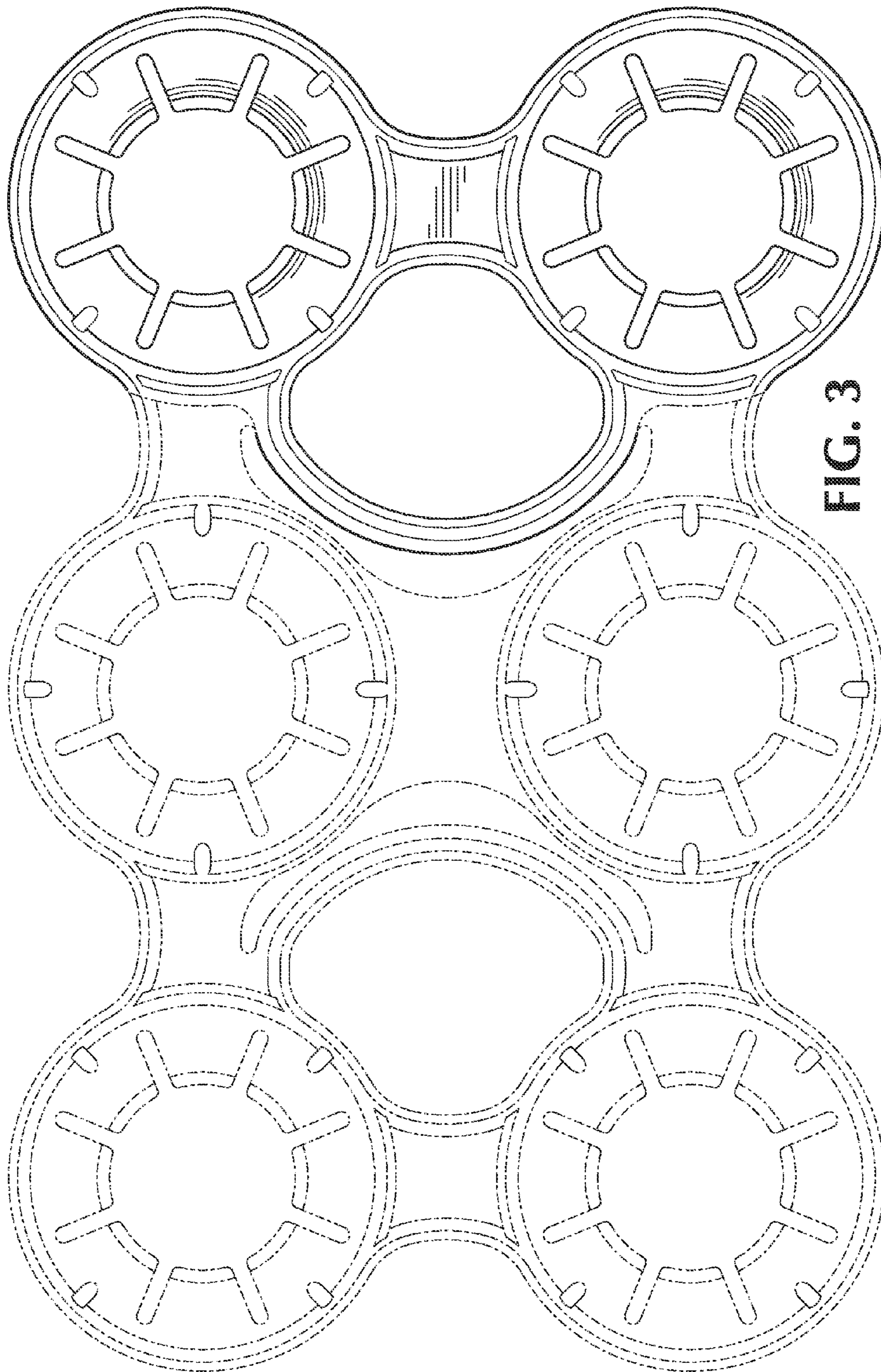


FIG. 3

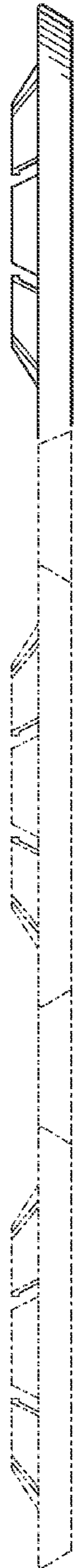


FIG. 4

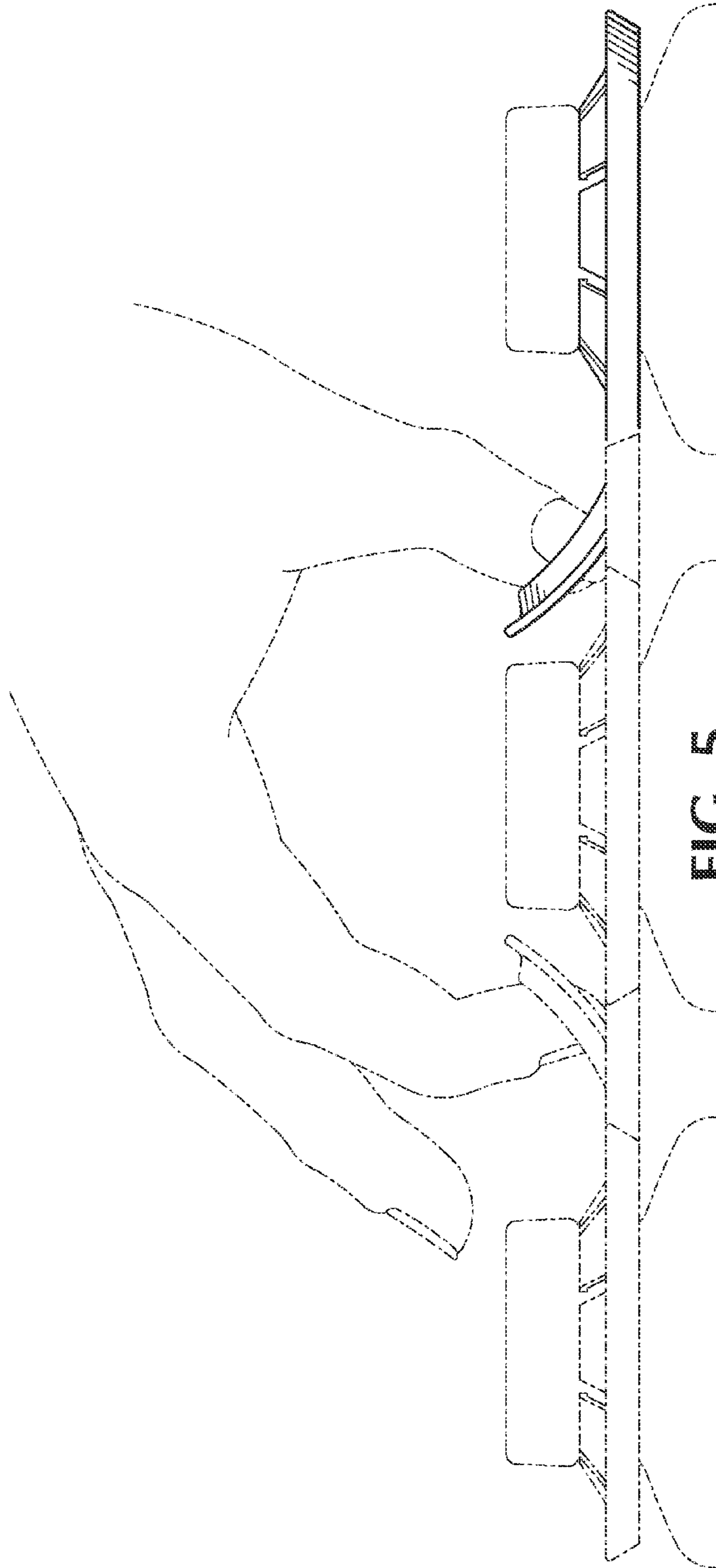


FIG. 5

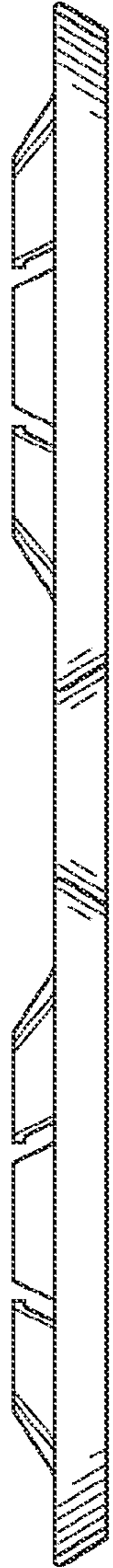


FIG. 6

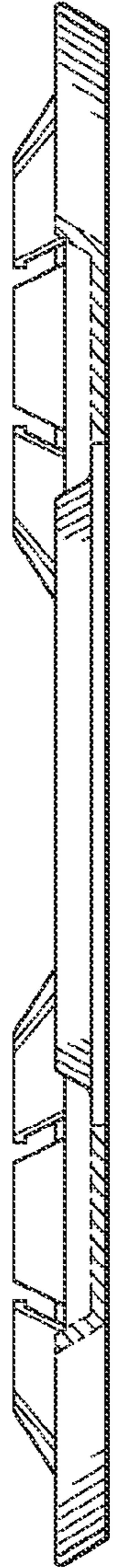


FIG. 7

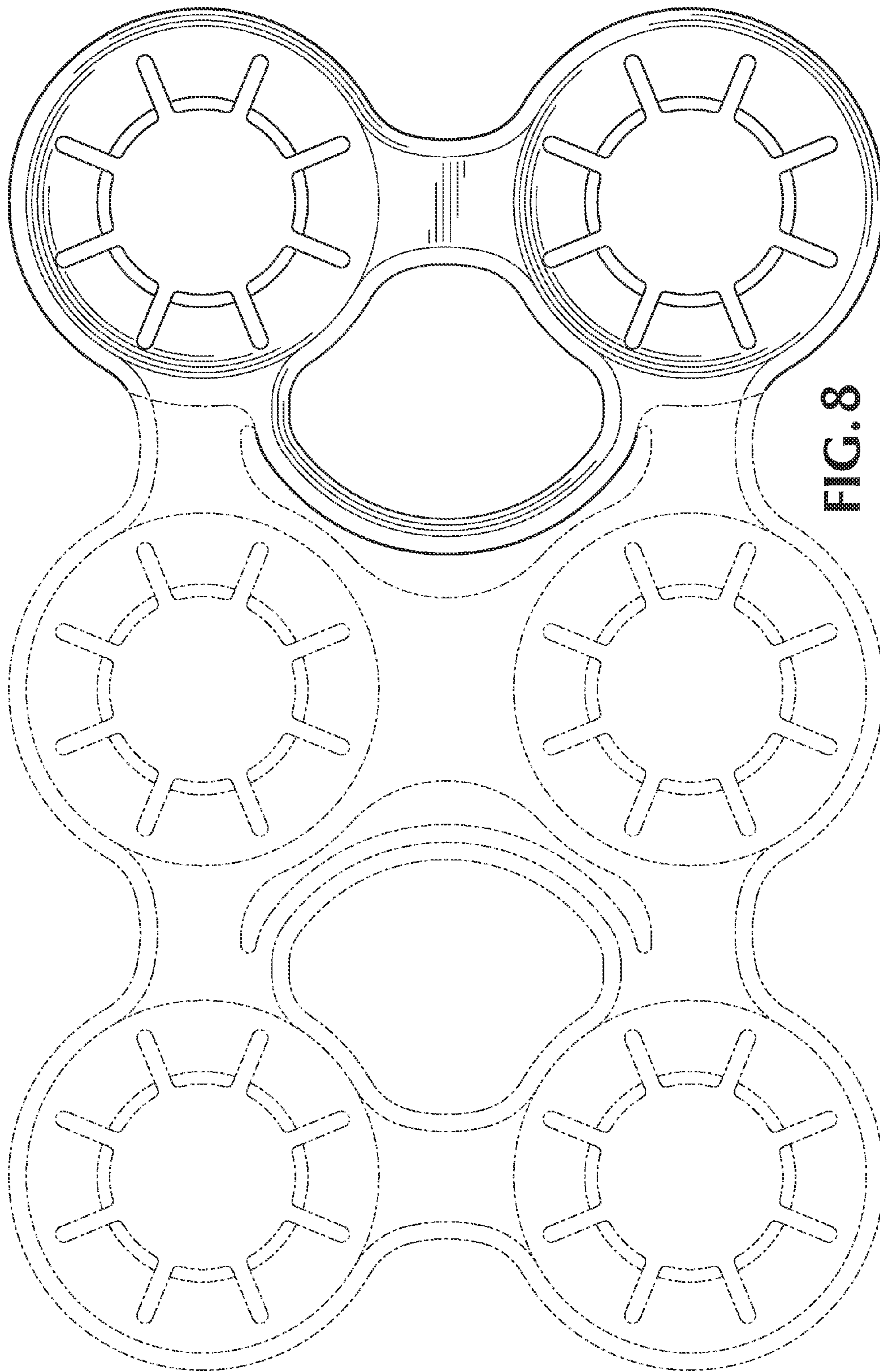


FIG. 8