



US00D700519S

(12) **United States Design Patent**
Eaton et al.

(10) **Patent No.:** **US D700,519 S**
(45) **Date of Patent:** **** Mar. 4, 2014**

(54) **BOTTLE**

(75) Inventors: **William R. Eaton**, Southbury, CT (US);
Richard Kraft, Shorewood, IL (US);
Sean Horita, Woodinville, WA (US);
Rohit Joshi, Ann Arbor, MI (US); **Ryan Maloney**, Seattle, WA (US); **Jay Ostby**, Seattle, WA (US); **David Schlesinger**, Seattle, WA (US); **Mark A. Woloszyk**, Clinton, MI (US); **Guizhang Zheng**, Ann Arbor, MI (US)

(73) Assignee: **PepsiCo, Inc.**, Purchase, NY (US)

(**) Term: **14 Years**

(21) Appl. No.: **29/429,841**

(22) Filed: **Aug. 17, 2012**

(51) **LOC (10) Cl.** **09-01**

(52) **U.S. Cl.**
USPC **D9/516; D9/540; D9/575**

(58) **Field of Classification Search**
USPC **D9/516, 530, 537-540, 549-550, 552, D9/556-558, 571, 575; 215/379, 381-384; 220/660, 662, 669-673, 675**
See application file for complete search history.

(56) **References Cited**

U.S. PATENT DOCUMENTS

D224,383 S	7/1972	Mascia et al.	
D303,930 S	10/1989	Durand	
D379,154 S	5/1997	Cox	
D381,272 S	7/1997	Coons	
D383,679 S	9/1997	Wilson et al.	
D429,166 S	8/2000	Ogg	
D455,964 S	4/2002	Patterson	
D466,415 S	12/2002	Reis	
D503,341 S	3/2005	Delmotte	
D506,931 S *	7/2005	Delmotte	D9/538
D509,746 S	9/2005	Mero et al.	

D510,025 S	9/2005	Venkataraman et al.	
D532,314 S	11/2006	Todd	
D553,504 S	10/2007	Goto et al.	
D556,579 S	12/2007	Goto et al.	
D556,587 S *	12/2007	Kruparova	D9/529
D558,582 S	1/2008	Venkataraman et al.	
D561,596 S *	2/2008	Hyde et al.	D9/538
D561,597 S	2/2008	Venkataraman et al.	
D561,598 S	2/2008	Dellevigne	
D565,961 S	4/2008	Dellevigne	
D568,158 S	5/2008	Dellevigne	
D568,159 S	5/2008	Dellevigne	
D568,166 S	5/2008	Dellevigne	
D570,220 S	6/2008	Venkataraman et al.	
D570,693 S	6/2008	Venkataraman et al.	
D571,668 S	6/2008	Dellevigne	
D573,477 S *	7/2008	Caldwell	D9/540
D576,042 S	9/2008	Dellevigne	
D576,049 S	9/2008	Trollope et al.	

(Continued)

Primary Examiner — Ian Simmons

Assistant Examiner — Dana L Meyrow

(74) *Attorney, Agent, or Firm* — Banner & Witcoff, Ltd.

(57) **CLAIM**

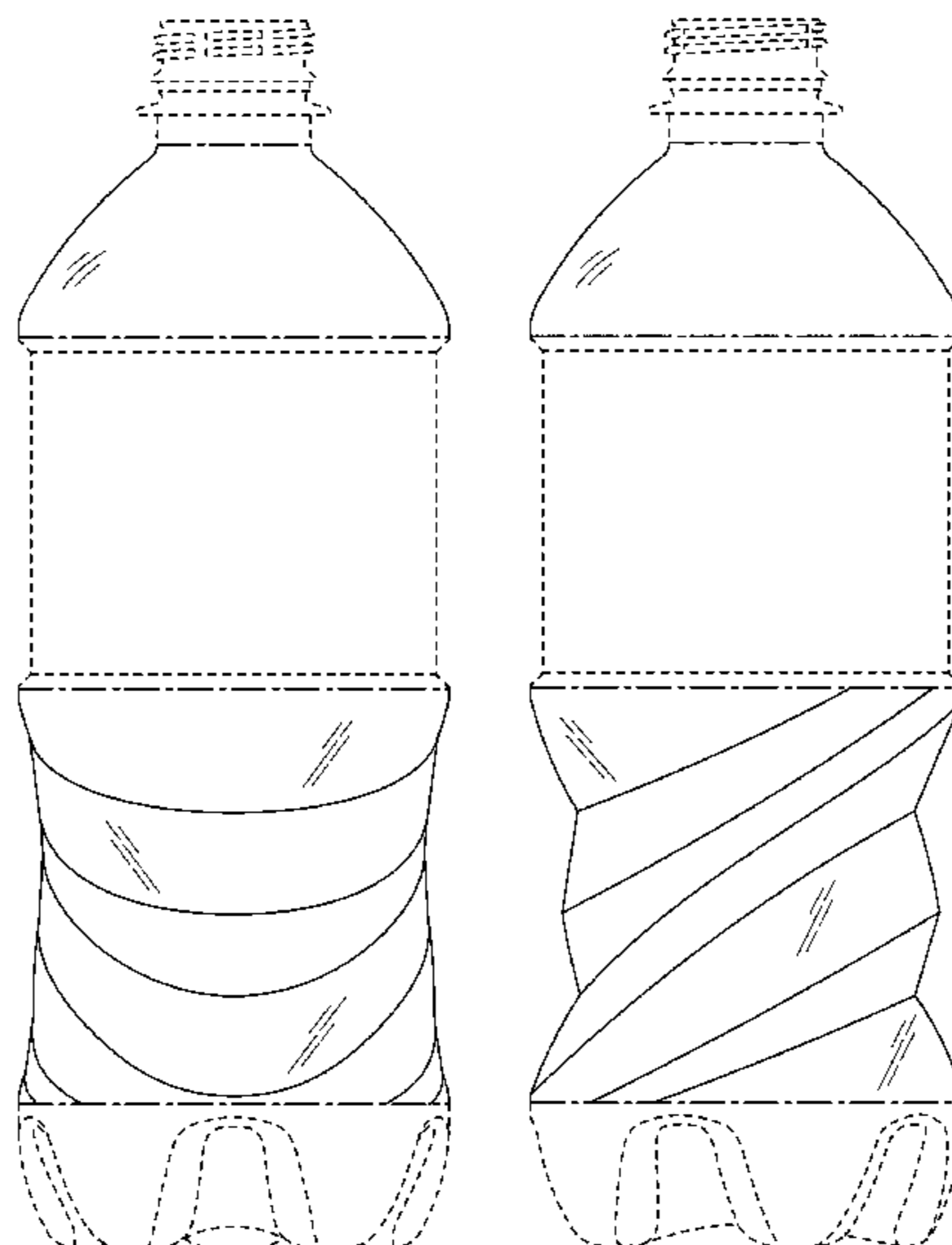
The ornamental design for a bottle, as shown and described.

DESCRIPTION

FIG. 1 is a top, front, right perspective view of a bottle showing our new design;
FIG. 2 is a front view thereof;
FIG. 3 is a right side view thereof;
FIG. 4 is a rear view thereof;
FIG. 5 is a left side view thereof;
FIG. 6 is a top view thereof; and,
FIG. 7 is a bottom view thereof.

The uneven-length broken lines represent unclaimed boundaries of the claimed design. The even-length broken lines showing the remainder of the bottle are for environmental purposes only and form no part of the claimed design.

1 Claim, 4 Drawing Sheets



(56)

References Cited

U.S. PATENT DOCUMENTS

D576,886 S 9/2008 Venkataraman et al.
D581,285 S * 11/2008 Lepoitevin D9/550
D581,799 S 12/2008 Bourne
D582,780 S 12/2008 Bourne
D584,627 S * 1/2009 Lepoitevin D9/538
D584,628 S 1/2009 Lepoitevin
D584,630 S * 1/2009 Darr et al. D9/538
D589,804 S 4/2009 Lovelace, Jr. et al.
D602,782 S 10/2009 Lepoitevin
D604,169 S 11/2009 Melossi

D612,733 S 3/2010 Eugui et al.
D616,762 S 6/2010 Caldwell et al.
D621,264 S 8/2010 Williams
D621,276 S 8/2010 Bourne
D621,711 S 8/2010 Williams
D623,950 S 9/2010 Eugui et al.
D623,951 S 9/2010 Eugui et al.
D637,908 S * 5/2011 Fleischhacker et al. D9/502
D643,723 S * 8/2011 Snyder et al. D9/516
D644,929 S * 9/2011 White et al. D9/540
D648,222 S * 11/2011 Snyder et al. D9/538
D652,307 S * 1/2012 White et al. D9/540
D676,755 S * 2/2013 Hein D9/552

* cited by examiner

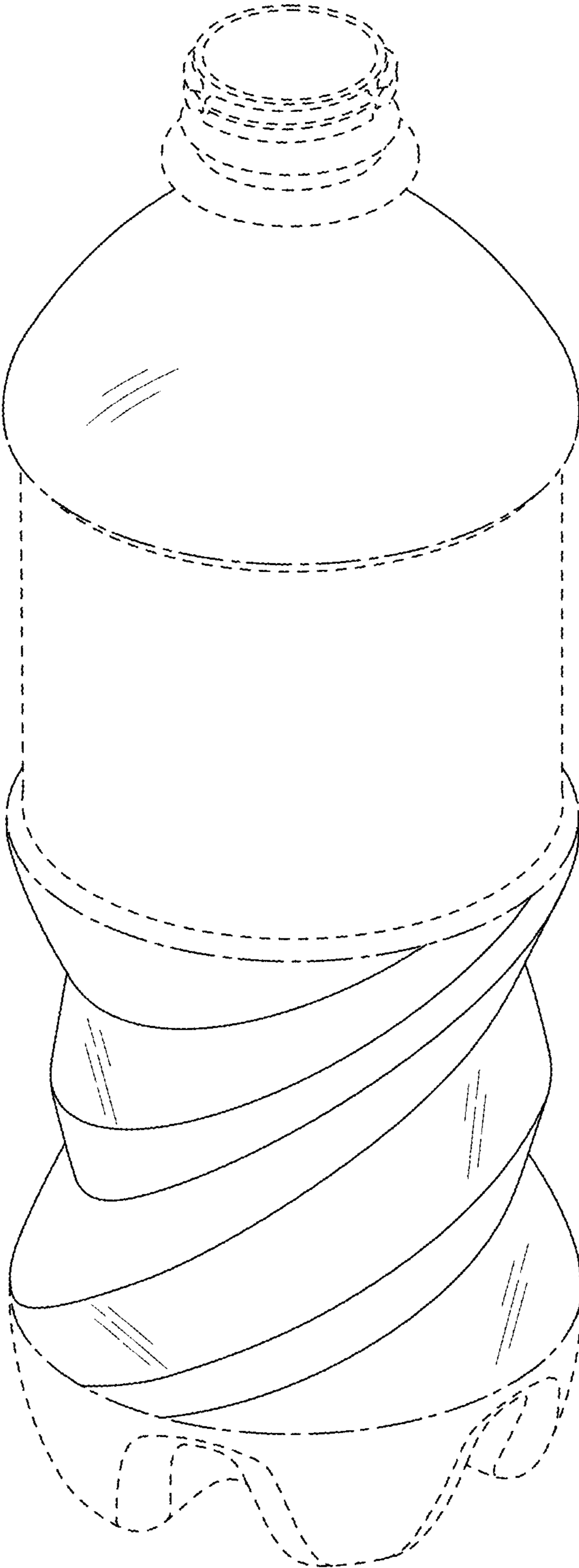


FIG. 1

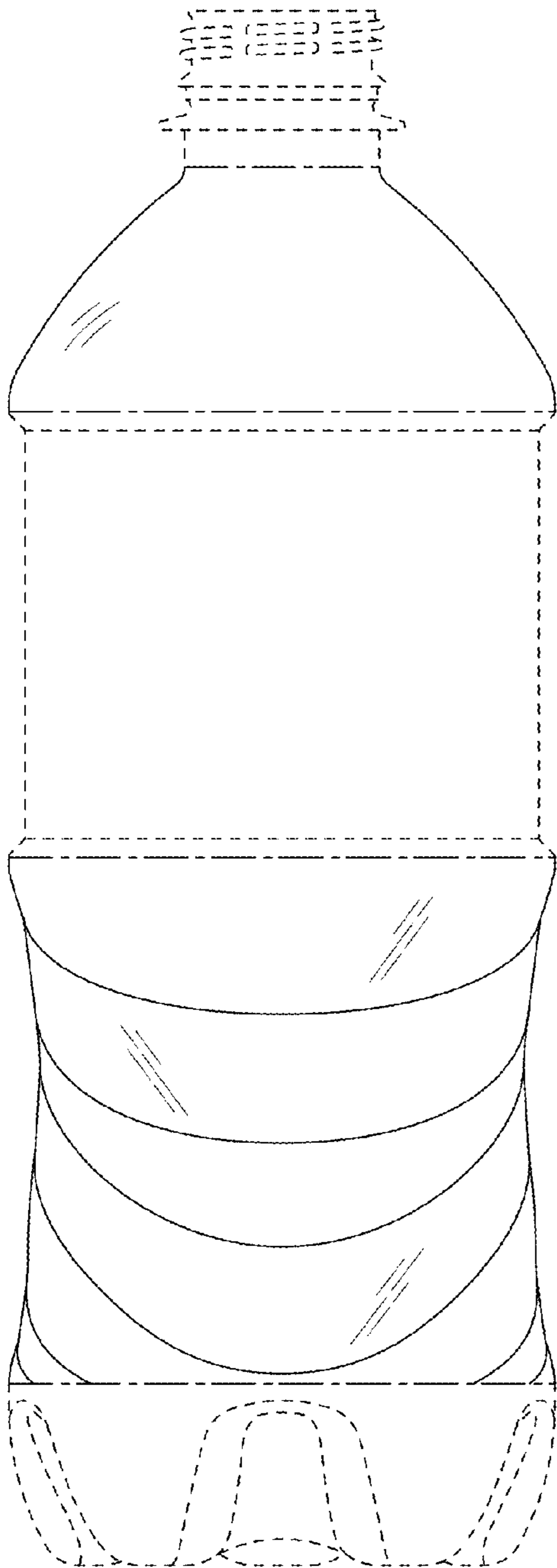


FIG. 2

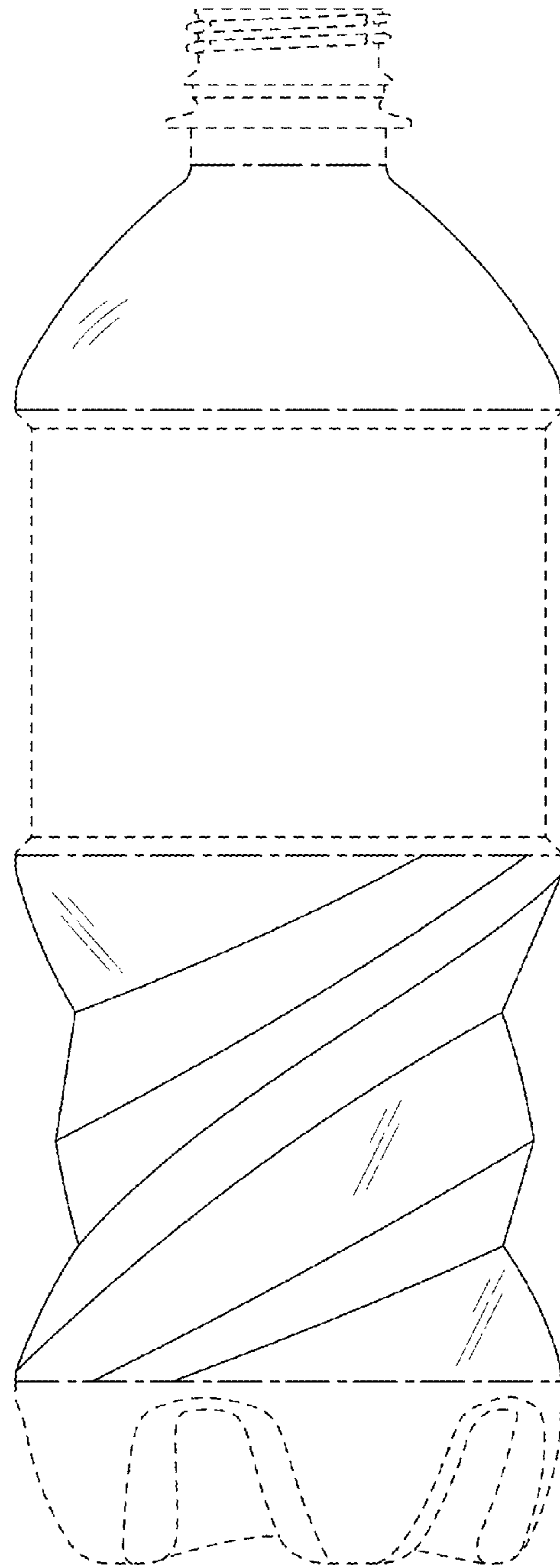


FIG. 3

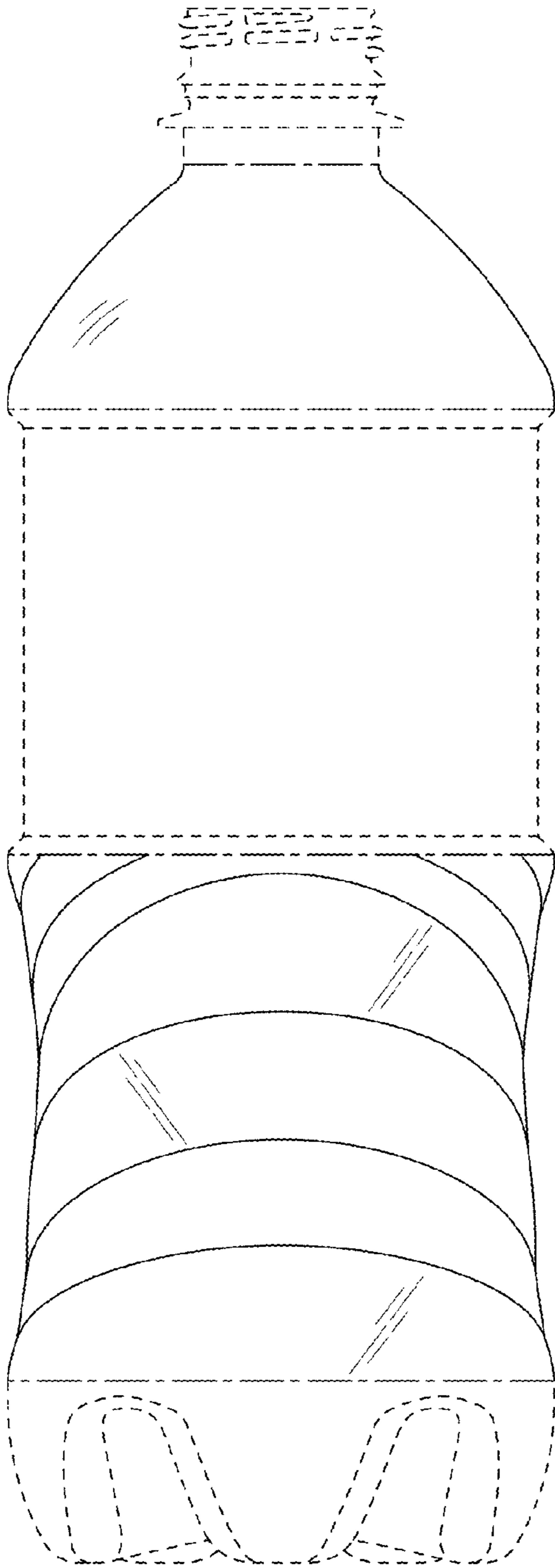


FIG. 4

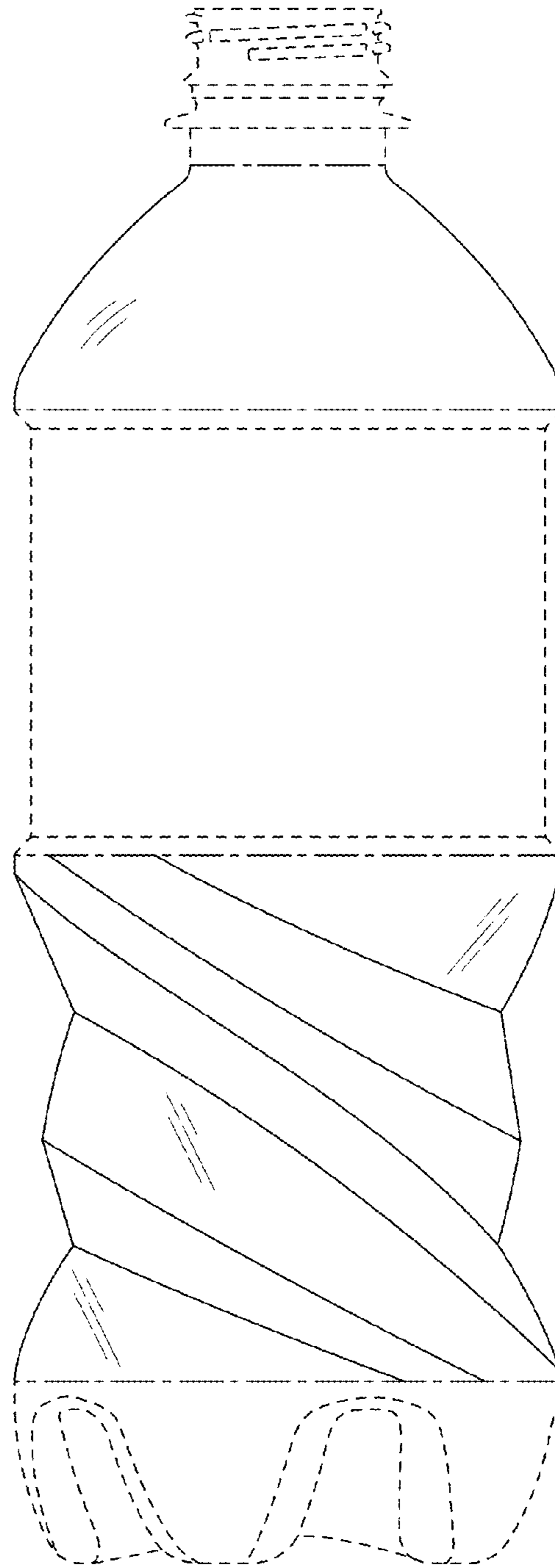


FIG. 5

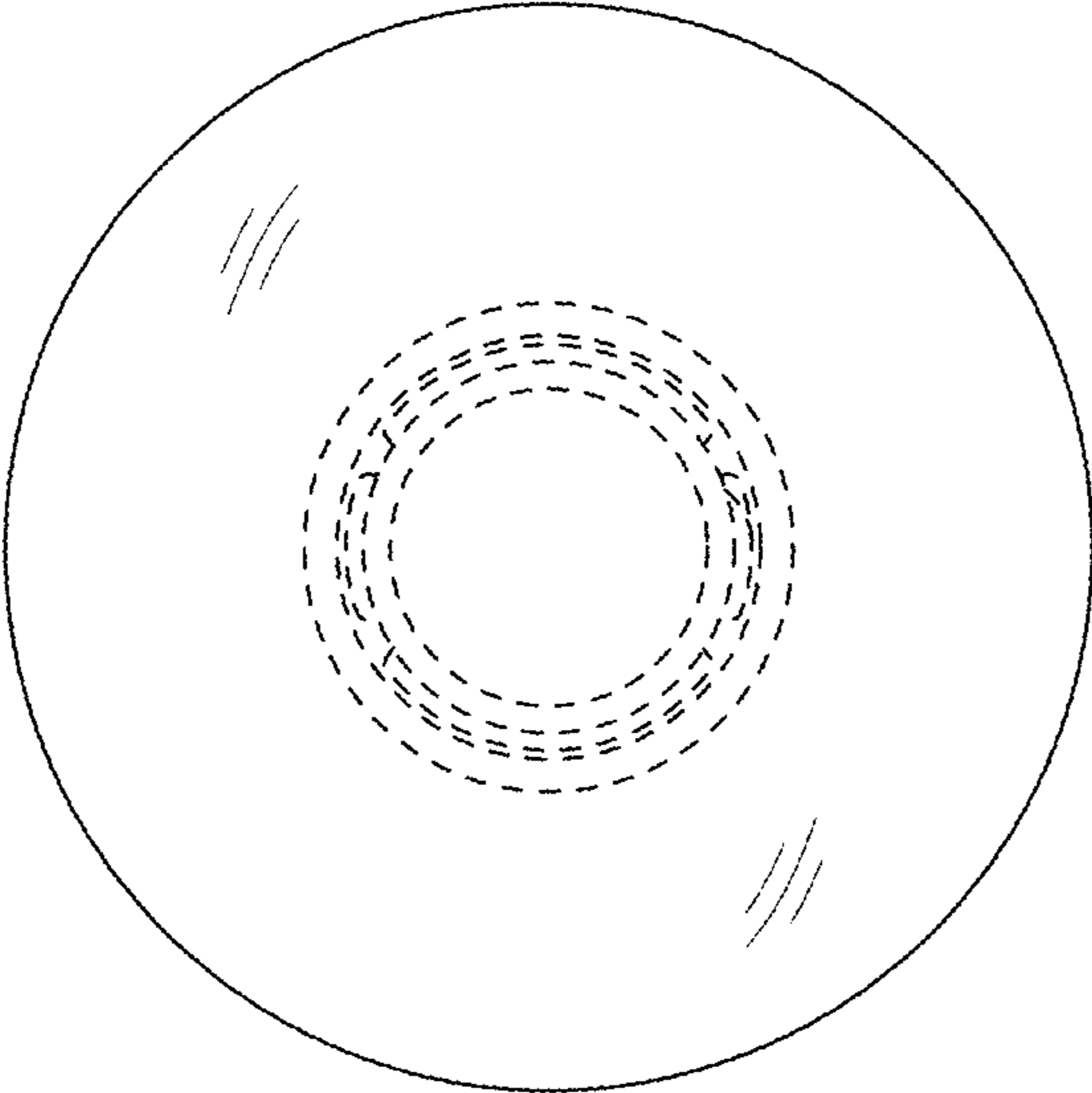


FIG. 6

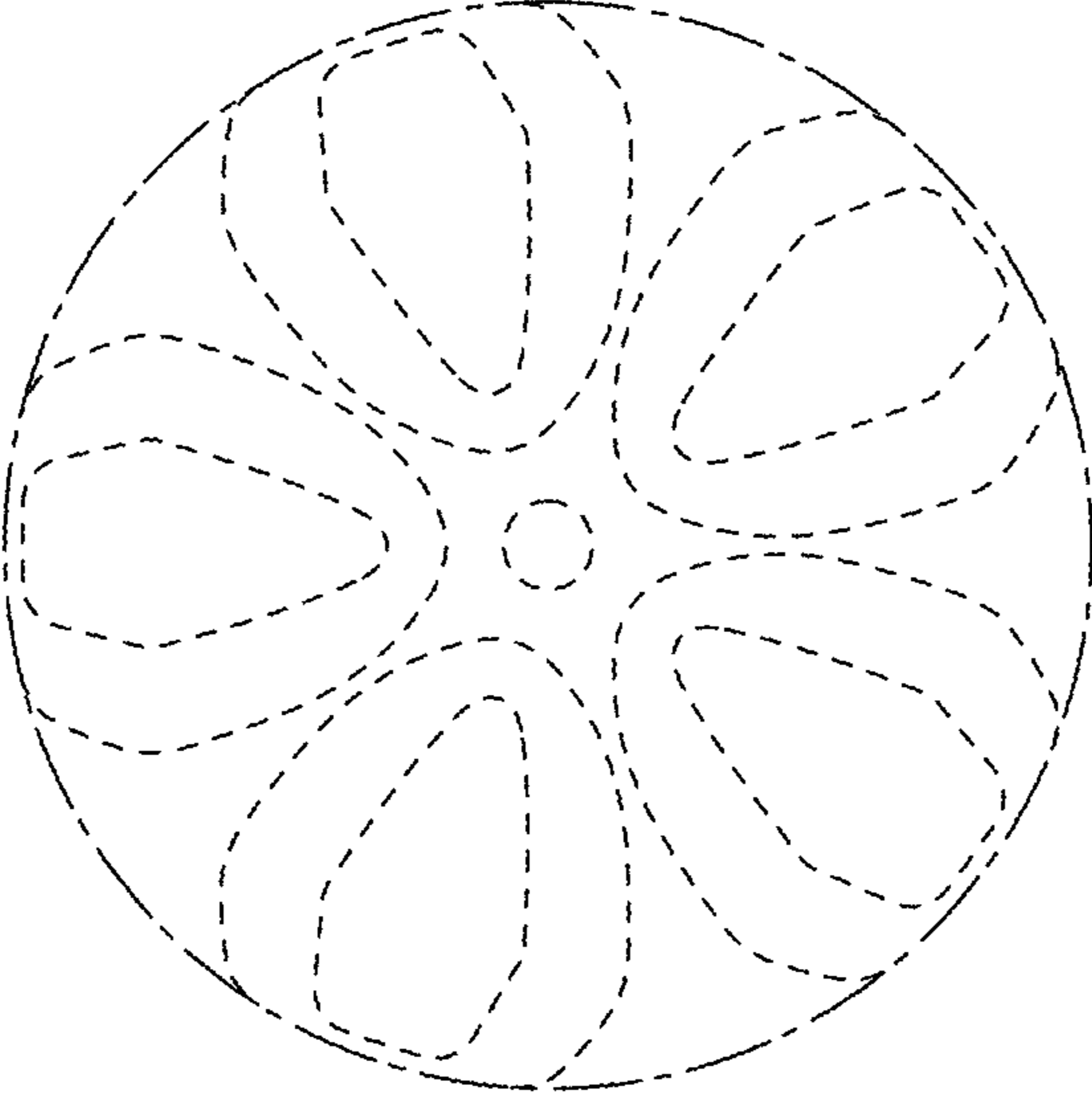


FIG. 7