

US00D700517S

(12) **United States Design Patent**  
**Oommen et al.**

(10) **Patent No.:** **US D700,517 S**  
(45) **Date of Patent:** **\*\* Mar. 4, 2014**

(54) **BOTTLE**

(71) Applicants: **Roy Oommen**, Bloomfield, NJ (US);  
**Steve Platt**, Mahopac, NY (US); **Nicole Buscemi**, New York, NY (US); **David Schweitzer**, Weston, CT (US); **Laurence Bendjenad**, New York, NY (US)

(72) Inventors: **Roy Oommen**, Bloomfield, NJ (US);  
**Steve Platt**, Mahopac, NY (US); **Nicole Buscemi**, New York, NY (US); **David Schweitzer**, Weston, CT (US); **Laurence Bendjenad**, New York, NY (US)

(73) Assignee: **The Dannon Company, Inc.**, White Plains, NY (US)

(\*\*) Term: **14 Years**

(21) Appl. No.: **29/459,145**

(22) Filed: **Jun. 26, 2013**

(51) **LOC (10) Cl.** ..... **09-01**

(52) **U.S. Cl.**

USPC ..... **D9/500**

(58) **Field of Classification Search**

USPC ..... D9/500, 502-505, 516, 530, 537-539,  
D9/549, 557-558, 682, 686, 688-691;  
D7/509-511, 523, 590; 215/11.1, 379,  
215/382; 220/660, 669-673, 675

See application file for complete search history.

(56) **References Cited**

**U.S. PATENT DOCUMENTS**

D225,729 S *	1/1973	Schwartz	.....	D9/500
D407,980 S *	4/1999	Dinand	.....	D9/500
D437,230 S *	2/2001	Andrew	.....	D9/516
D443,821 S *	6/2001	Bakic	.....	D9/500
D476,894 S *	7/2003	Masotta et al.	.....	D9/503
D478,669 S *	8/2003	Wear	.....	D24/197
D519,784 S *	5/2006	Karp	.....	D7/523
D576,044 S *	9/2008	Lamb et al.	.....	D9/504
D590,267 S *	4/2009	Oommen et al.	.....	D9/539
D608,642 S *	1/2010	Black	.....	D9/500

(Continued)

*Primary Examiner* — Ian Simmons

*Assistant Examiner* — Dana L Meyrow

(74) *Attorney, Agent, or Firm* — Greenberg Traurig, LLP

(57) **CLAIM**

The ornamental design for a bottle, as shown and described.

**DESCRIPTION**

FIG. 1 is a top perspective view of a first embodiment of a bottle showing our new design;

FIG. 2 is a top view of the first embodiment of the bottle shown in FIG. 1;

FIG. 3 is a front view of the first embodiment of the bottle shown in FIG. 1;

FIG. 4 is a right view of the first embodiment of the bottle shown in FIG. 1;

FIG. 5 is a rear view of the first embodiment of the bottle shown in FIG. 1;

FIG. 6 is a left side view of the first embodiment of the bottle shown in FIG. 1;

FIG. 7 is a bottom view of the first embodiment of the bottle shown in FIG. 1;

FIG. 8 is a top perspective view of a second embodiment of a bottle showing our new design;

FIG. 9 is a top view of the second embodiment of the bottle shown in FIG. 8;

FIG. 10 is a front view of the second embodiment of the bottle shown in FIG. 8;

FIG. 11 is a right view of the second embodiment of the bottle shown in FIG. 8;

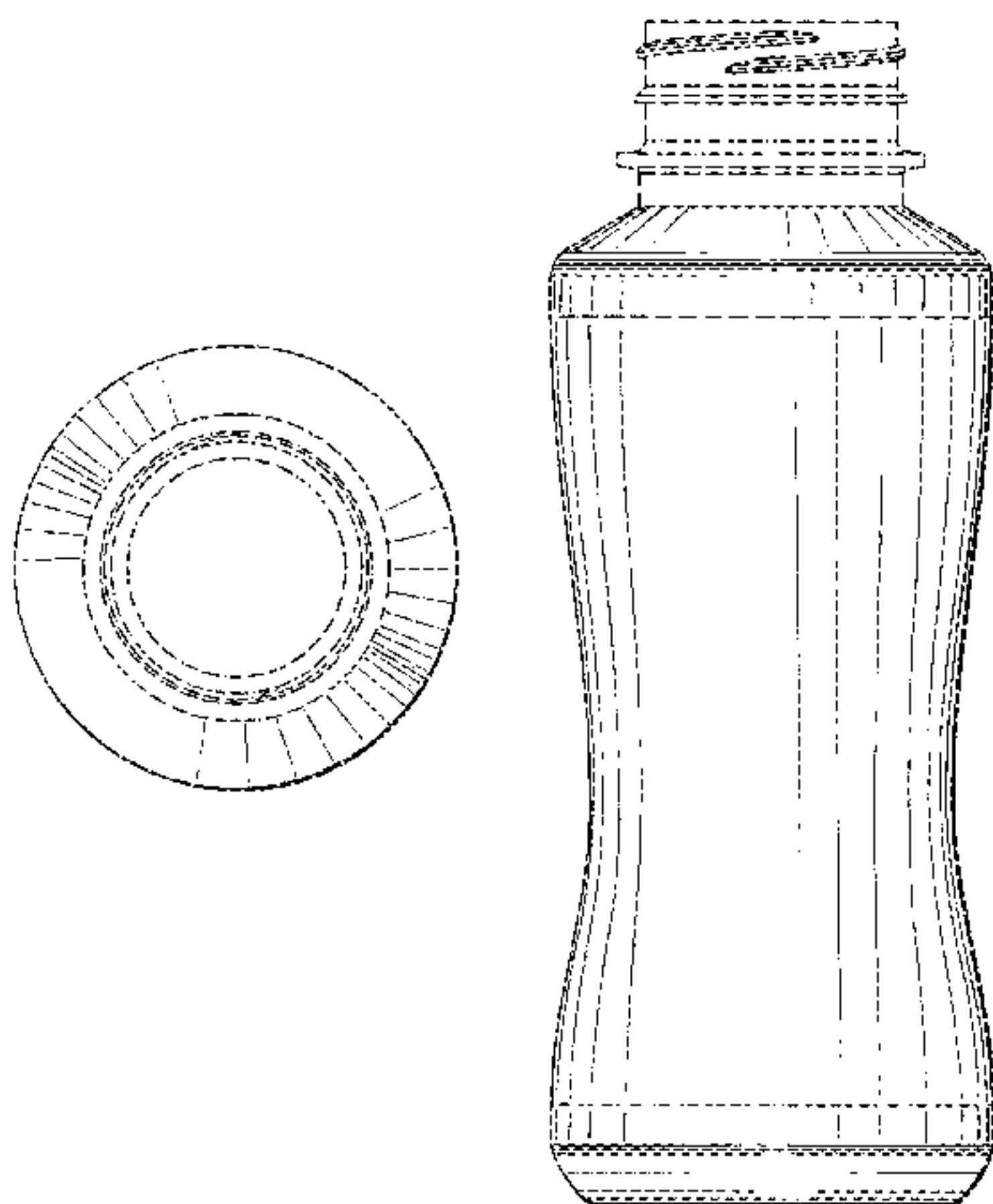
FIG. 12 is a left side view of the second embodiment of the bottle shown in FIG. 8;

FIG. 13 is a rear view of the second embodiment of the bottle shown in FIG. 8; and,

FIG. 14 is a bottom view of the second embodiment of the bottle shown in FIG. 8.

The broken lines in the drawings showing the bottle neck and pour spout and lines on the body of the bottle illustrate the portions of the design that form no part of the claim.

**1 Claim, 8 Drawing Sheets**



# US D700,517 S

Page 2

---

(56)

## References Cited

### U.S. PATENT DOCUMENTS

D620,799 S \* 8/2010 Wingfield et al. .... D9/503  
D621,709 S \* 8/2010 Minakuchi ..... D9/503

D633,793 S \* 3/2011 Reagan et al. .... D9/500  
D657,195 S \* 4/2012 Menceles et al. .... D7/510  
D667,306 S \* 9/2012 Verea ..... D9/502

\* cited by examiner

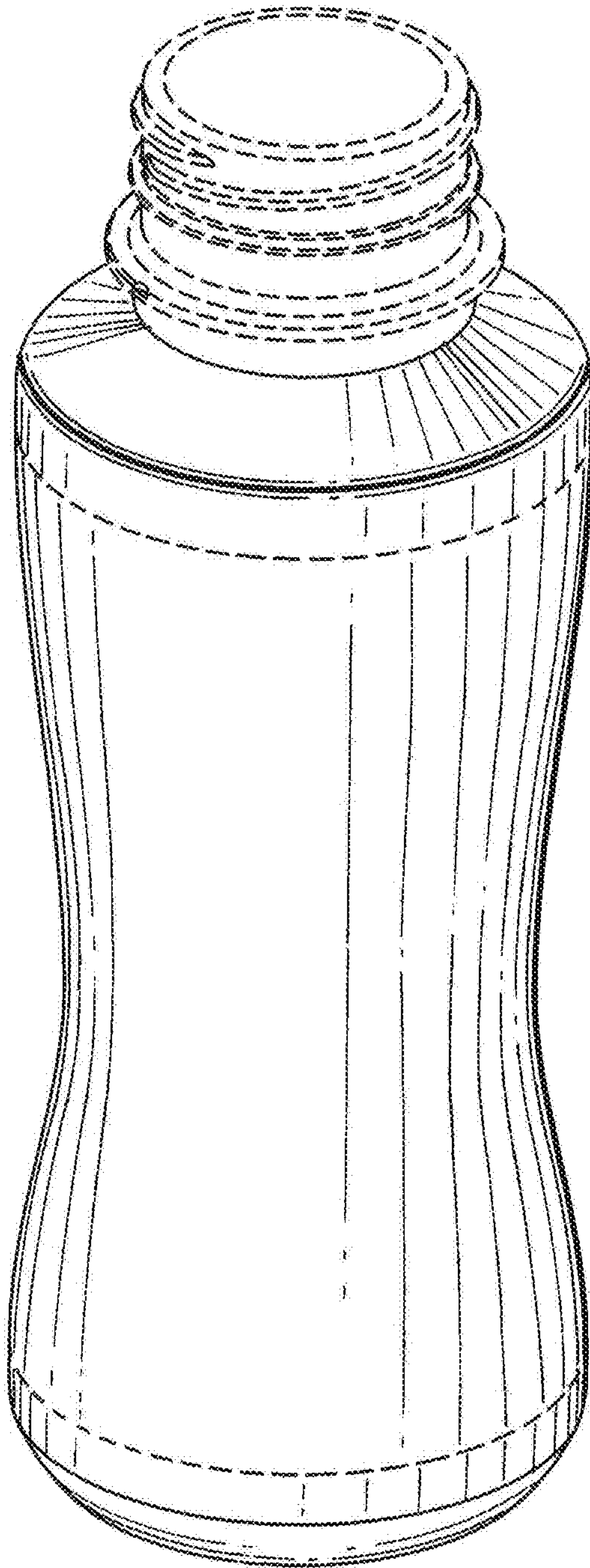


FIG. 1

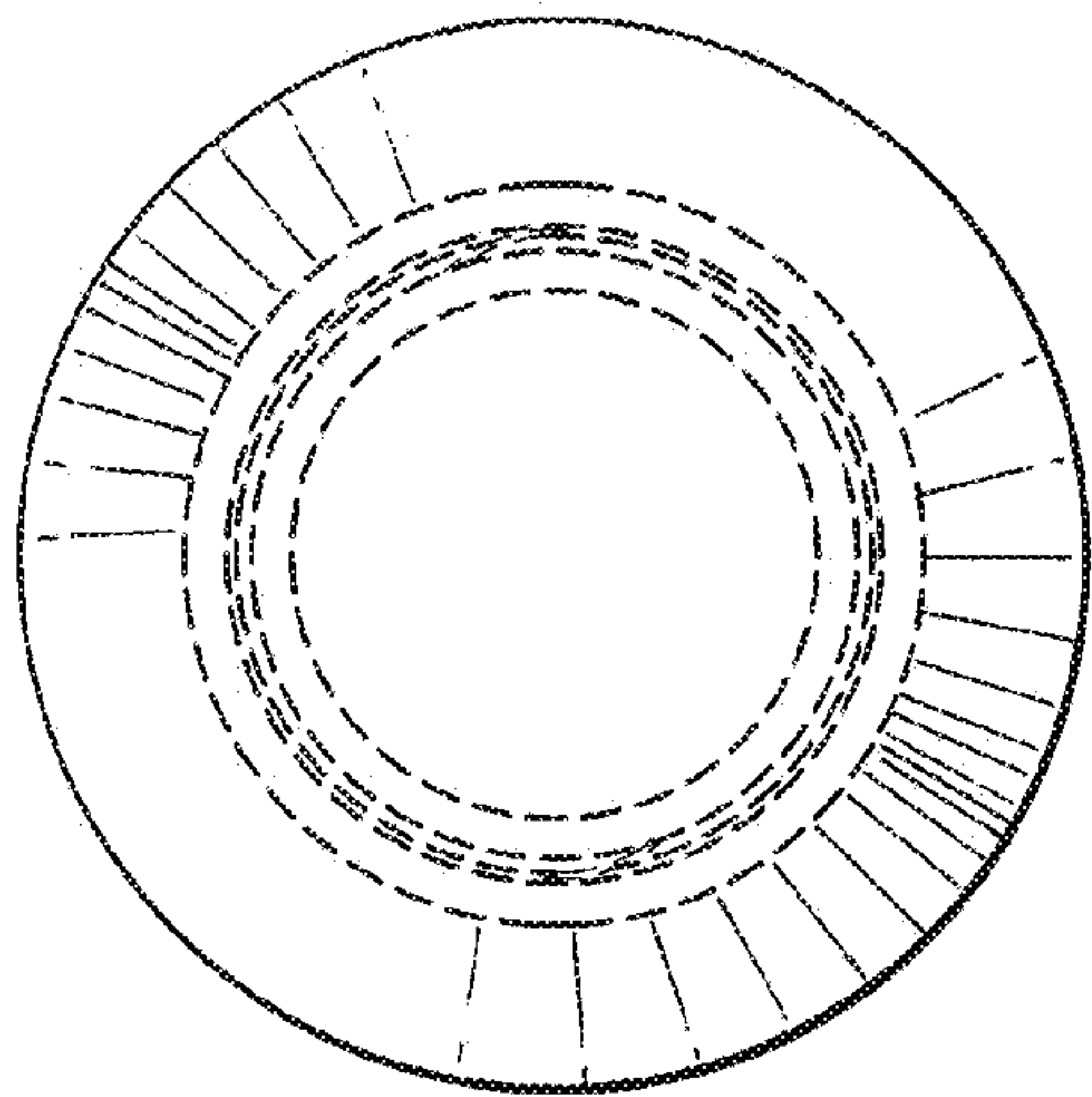


FIG. 2

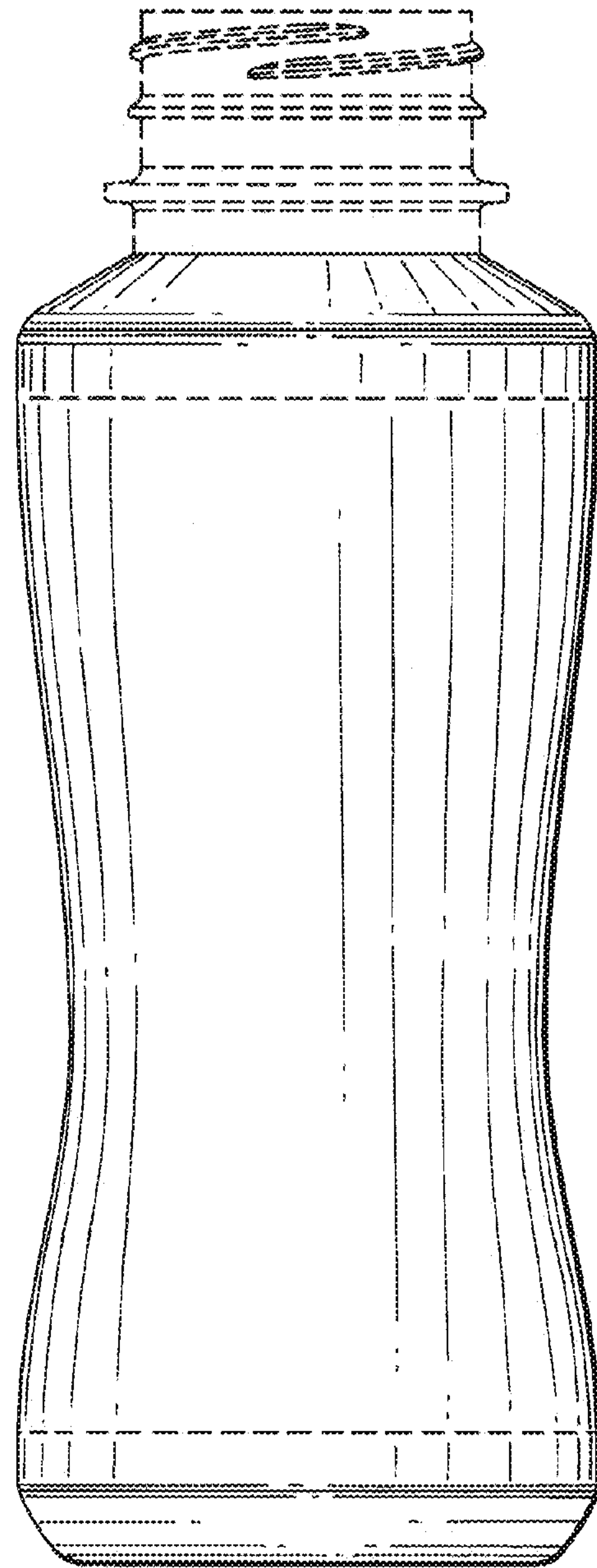


FIG. 3



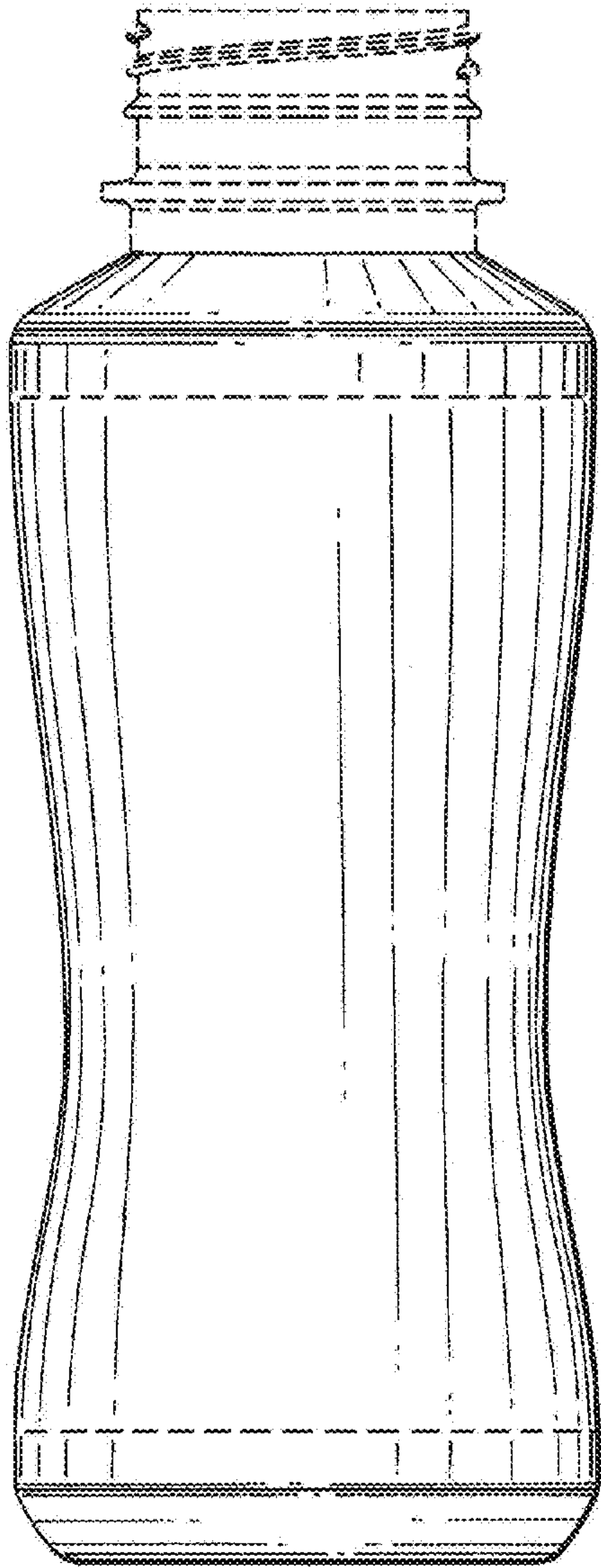


FIG. 4

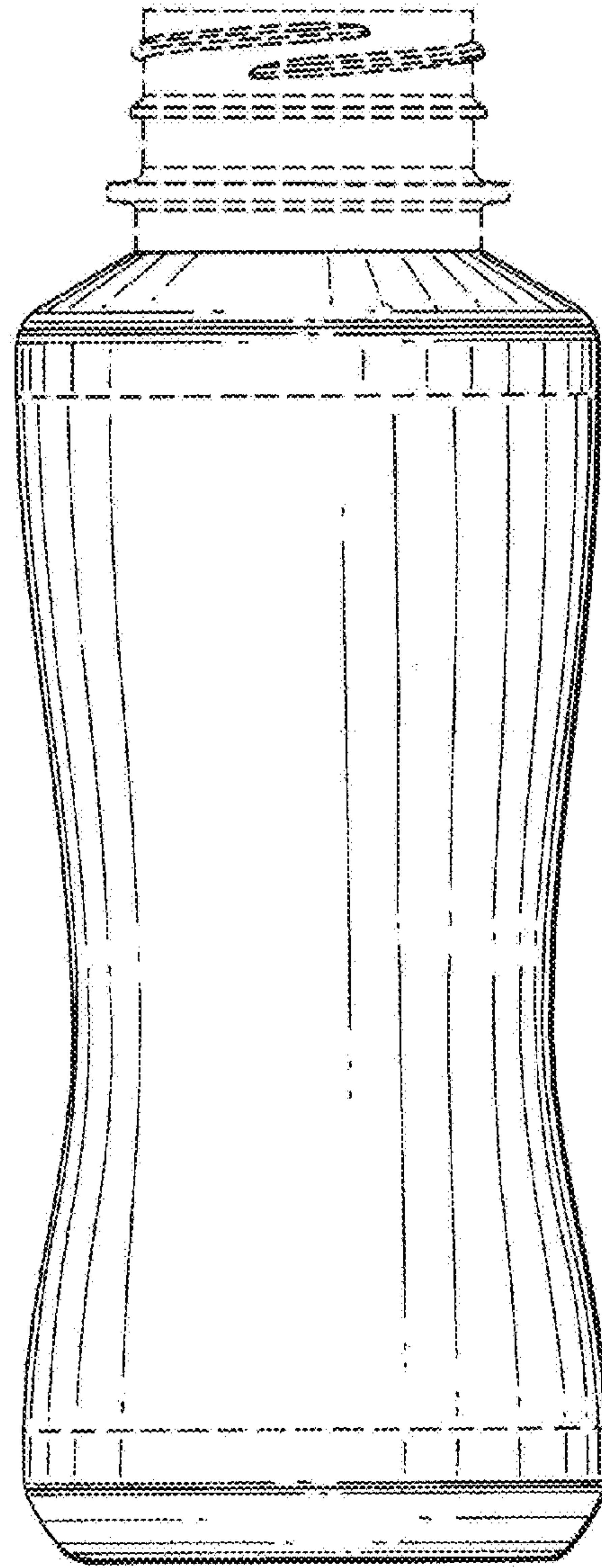


FIG. 5

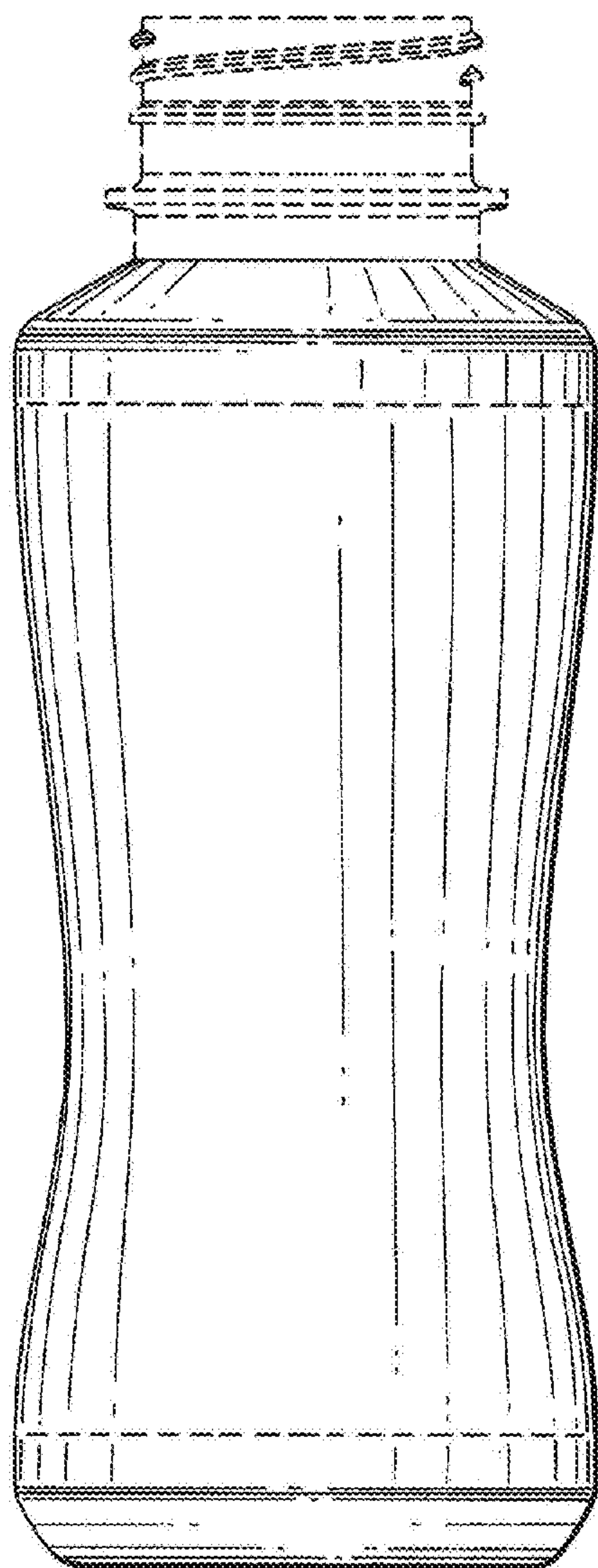


FIG. 6

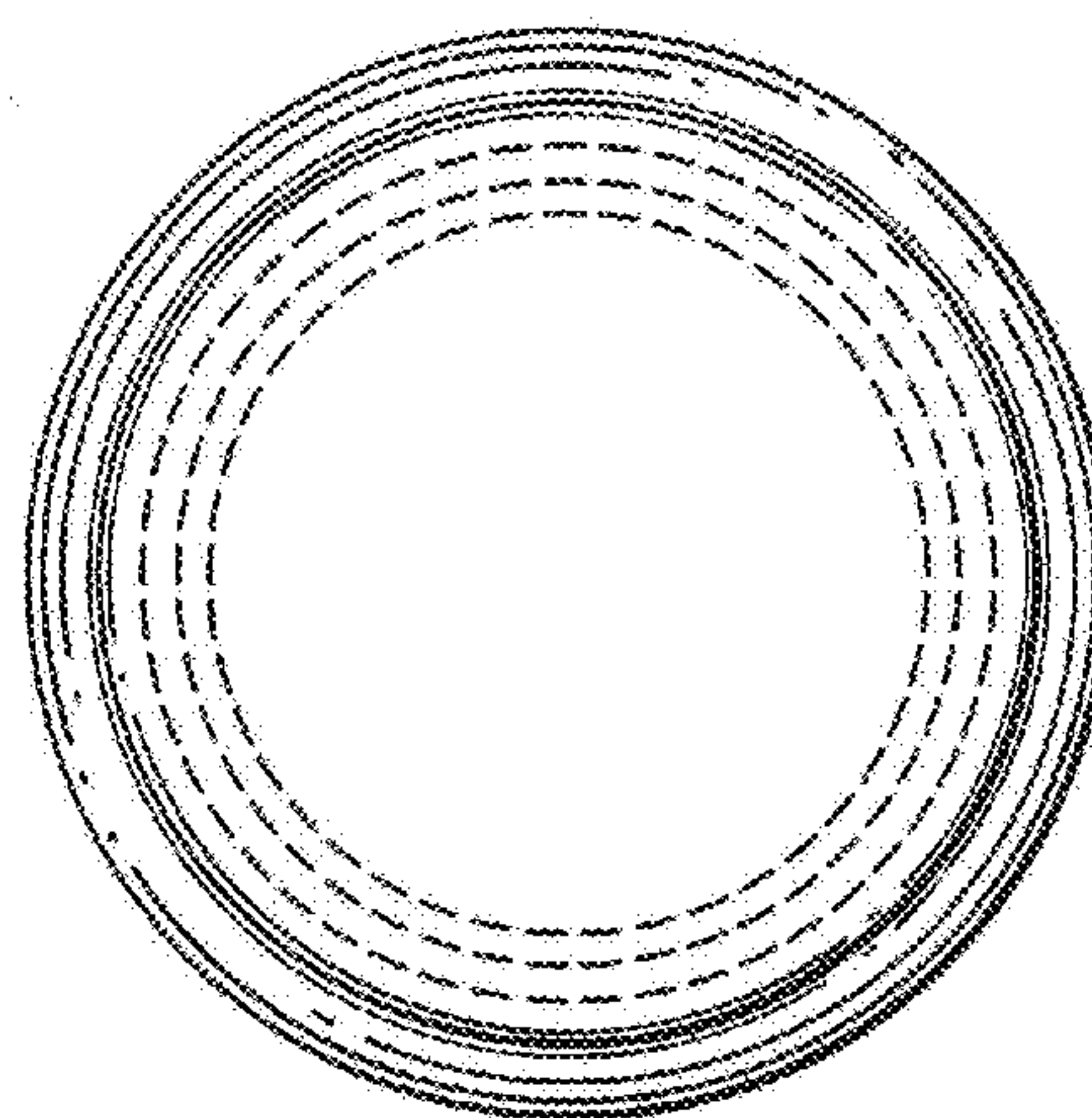


FIG. 7

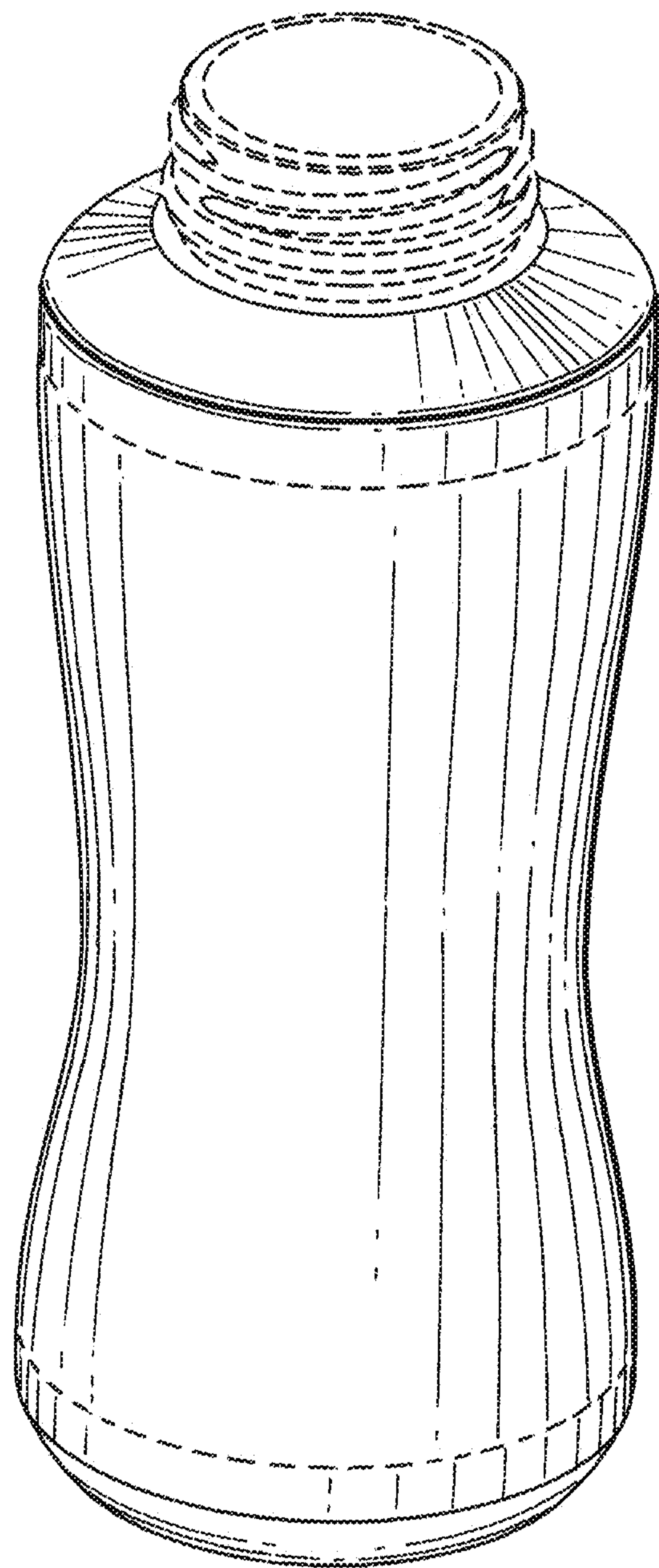


FIG.8

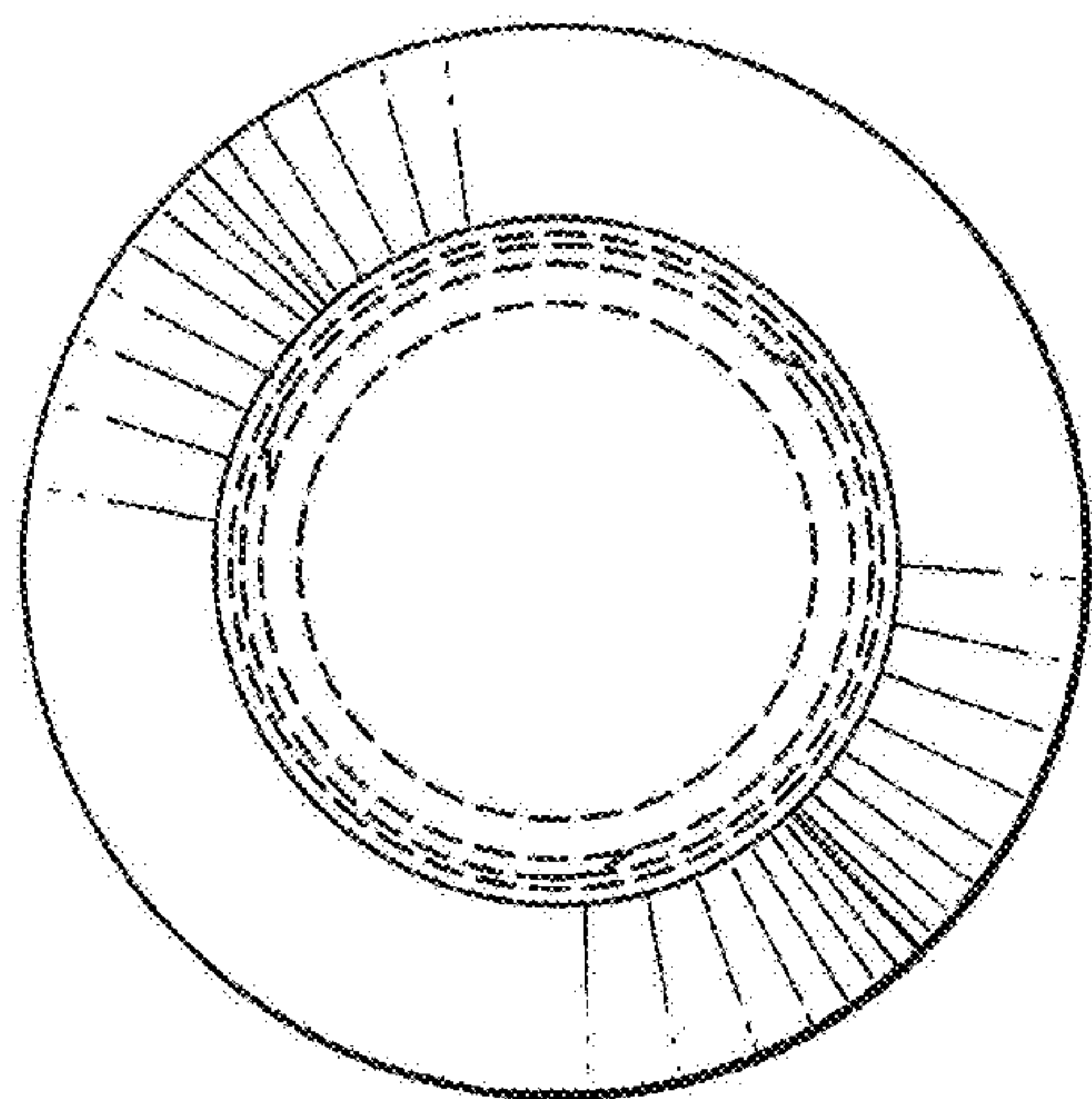


FIG. 9

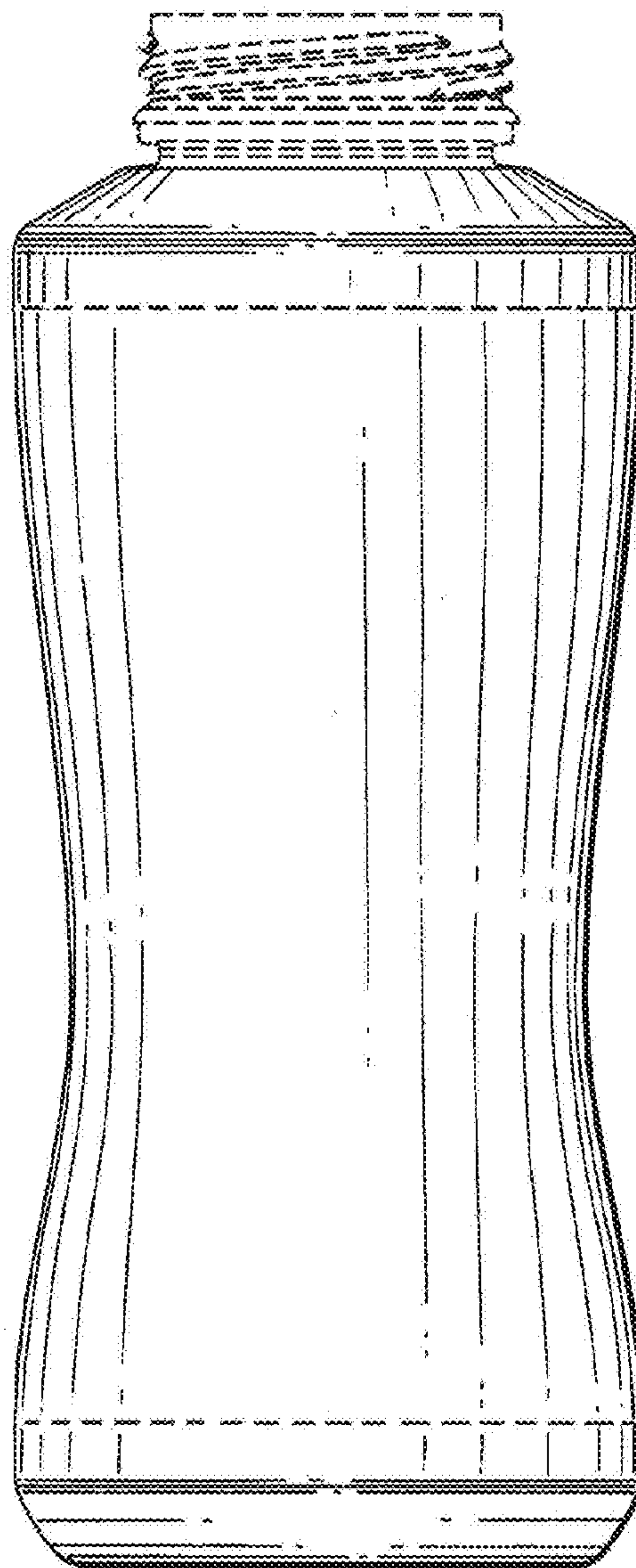


FIG. 10



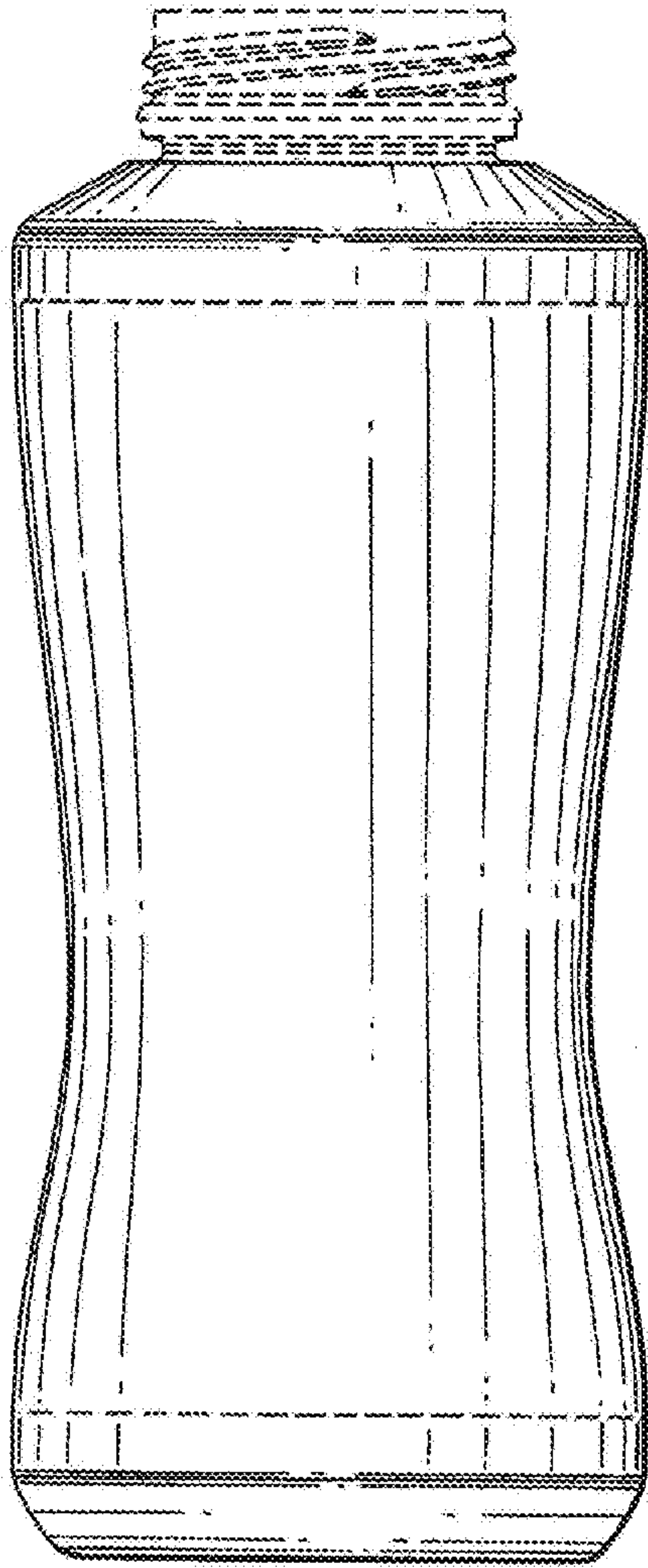


FIG. 11

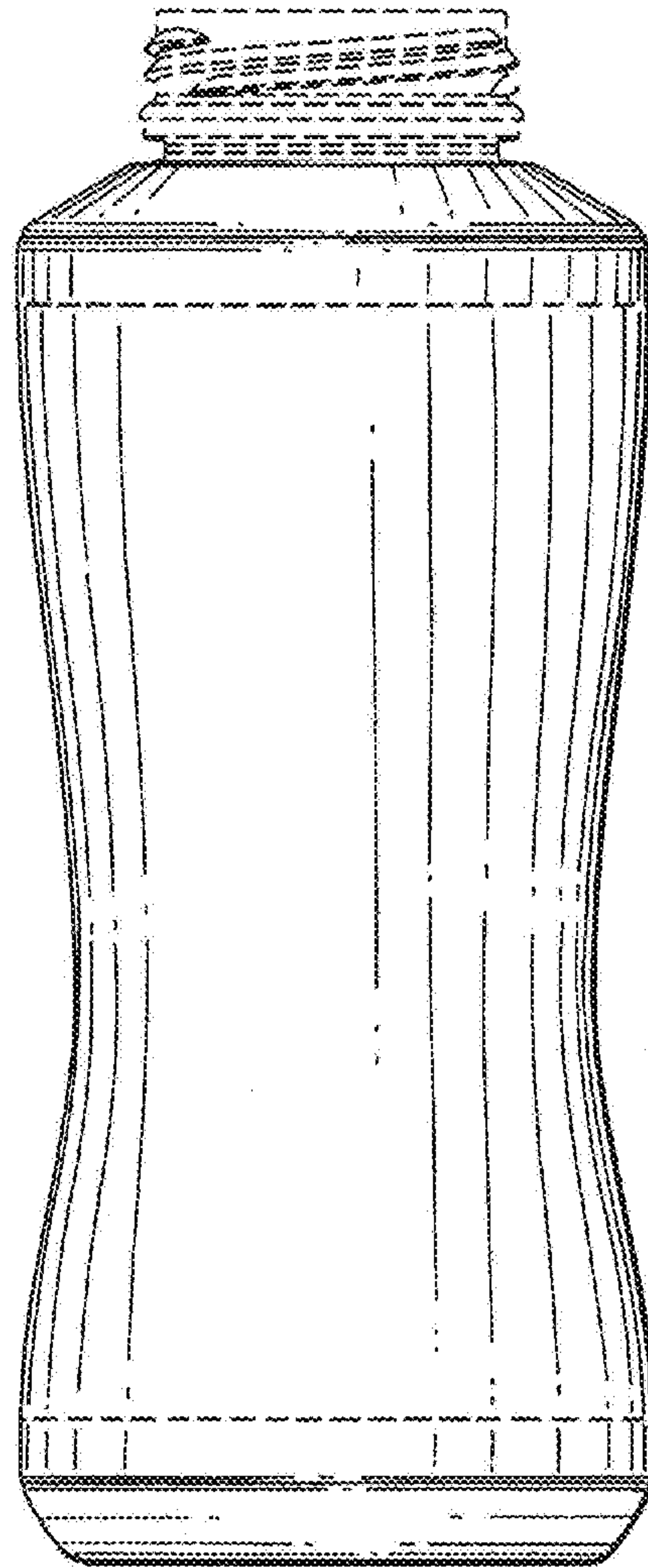


FIG. 12

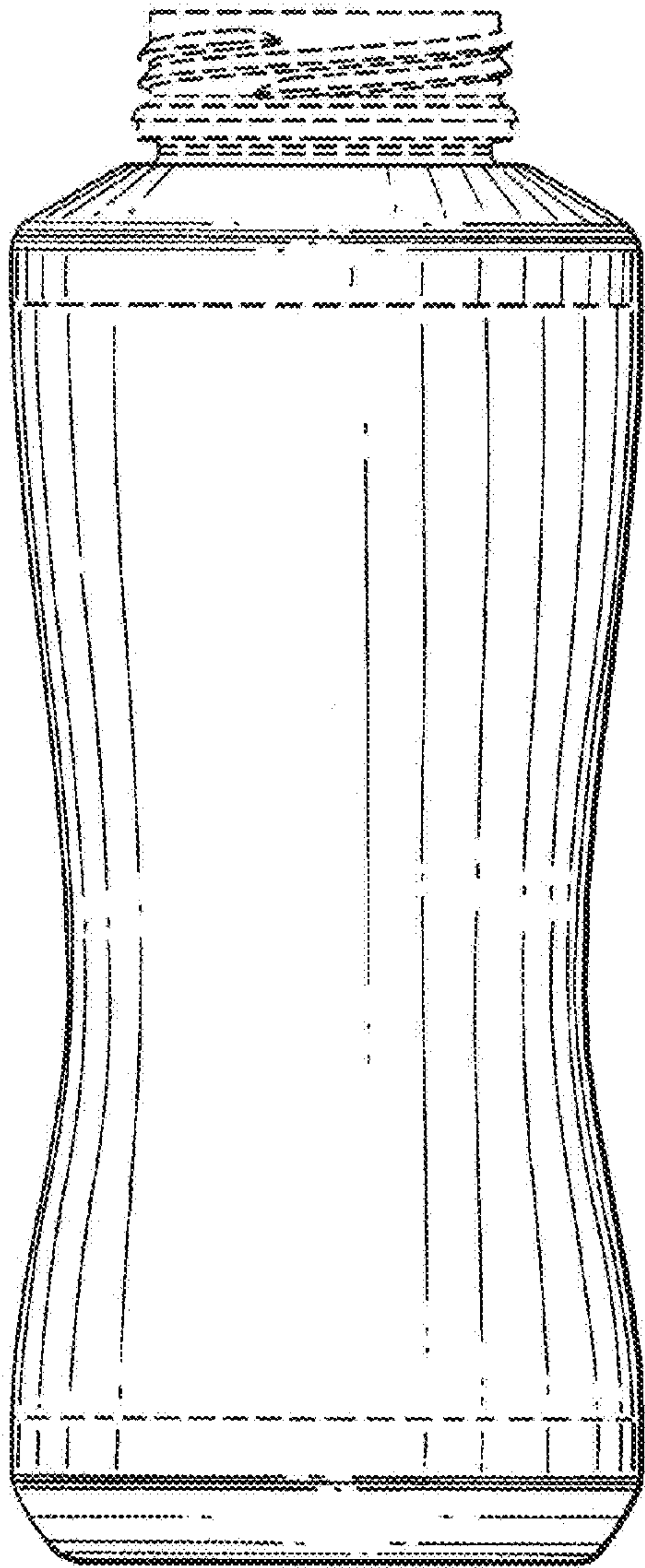


FIG. 13

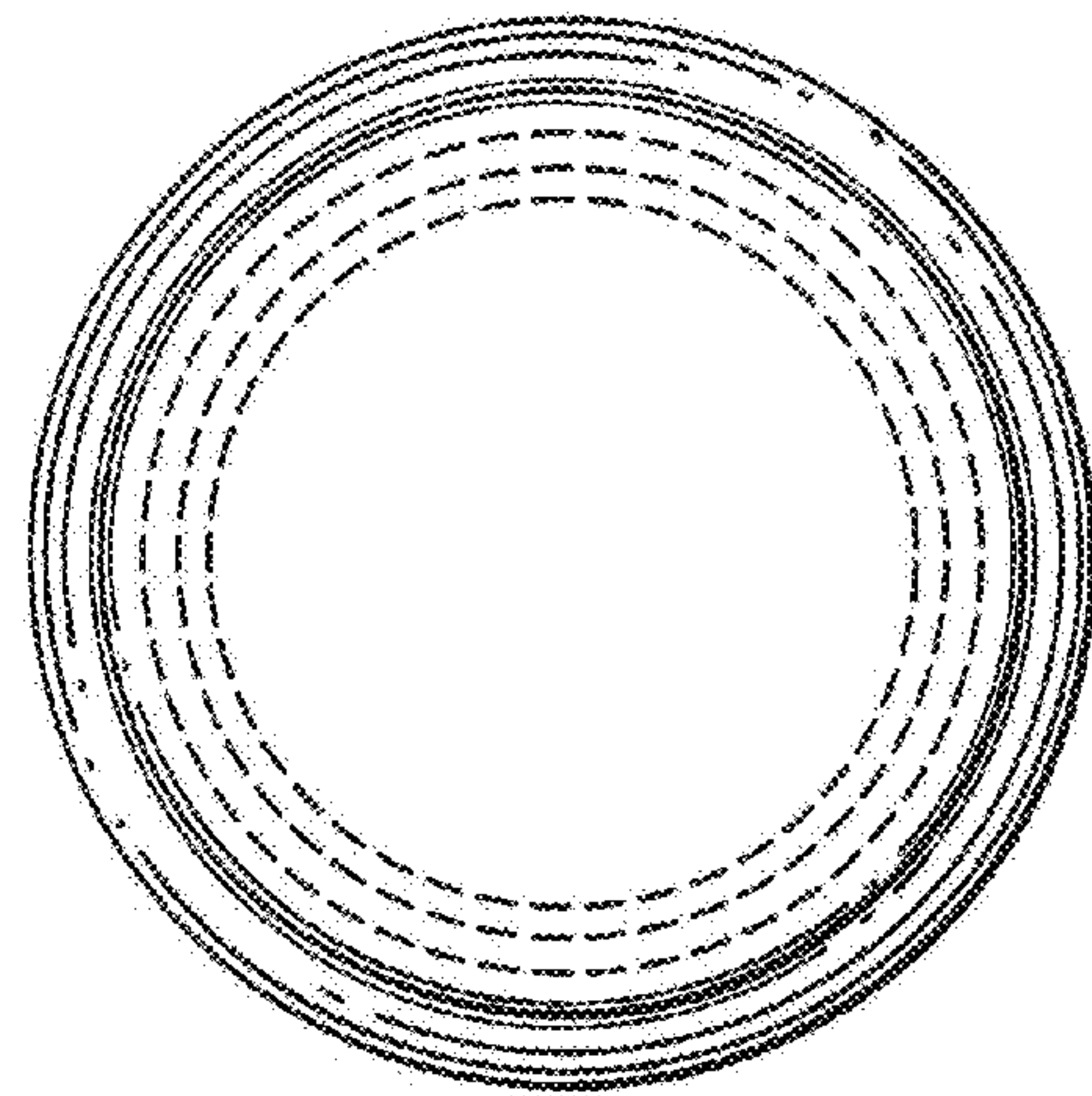


FIG. 14