



US00D700516S

(12) **United States Design Patent**  
**Adams et al.**

(10) **Patent No.:** **US D700,516 S**  
(45) **Date of Patent:** **\*\* Mar. 4, 2014**

(54) **OVERCAP**

(56) **References Cited**

(71) Applicants: **Mary Beth Adams**, Antioch, IL (US);  
**Daniel A. Andersen**, Burlington, IL  
(US); **Jeffrey J. Christianson**, Oak  
Creek, WI (US); **Matthew Grossman**,  
Austin, TX (US); **Kit R. Morris**, Austin,  
TX (US); **Han Xin**, Shanghai (CN)

U.S. PATENT DOCUMENTS

D225,731 S 1/1973 Louise  
D236,084 S 7/1975 Petterson  
4,377,248 A 3/1983 Stull  
D313,345 S 1/1991 Wefler et al.  
D388,319 S 12/1997 Lamb  
D395,597 S 6/1998 Lamb

(Continued)

(72) Inventors: **Mary Beth Adams**, Antioch, IL (US);  
**Daniel A. Andersen**, Burlington, IL  
(US); **Jeffrey J. Christianson**, Oak  
Creek, WI (US); **Matthew Grossman**,  
Austin, TX (US); **Kit R. Morris**, Austin,  
TX (US); **Han Xin**, Shanghai (CN)

FOREIGN PATENT DOCUMENTS

AU 337186 S 6/2011  
AU 337187 S 6/2011

(Continued)

(73) Assignee: **S.C. Johnson & Son, Inc.**, Racine, WI  
(US)

OTHER PUBLICATIONS

Precision Valve Corporation product page of spray caps from  
precisionglobal.com website [online] [retrieved on Feb. 2, 2012], 2  
pages. Retrieved from <URL:http://www.precisionglobal.com/en/  
products/catalog/group/domes>.

(Continued)

(\*\*) Term: **14 Years**

*Primary Examiner* — Robert M Spear

(21) Appl. No.: **29/470,812**

(57) **CLAIM**

(22) Filed: **Oct. 25, 2013**

The ornamental design for an overcap, as shown and  
described.

**Related U.S. Application Data**

**DESCRIPTION**

(62) Division of application No. 29/428,122, filed on Jul.  
26, 2012, which is a division of application No.  
29/397,465, filed on Jul. 15, 2011, now Pat. No. Des.  
666,491.

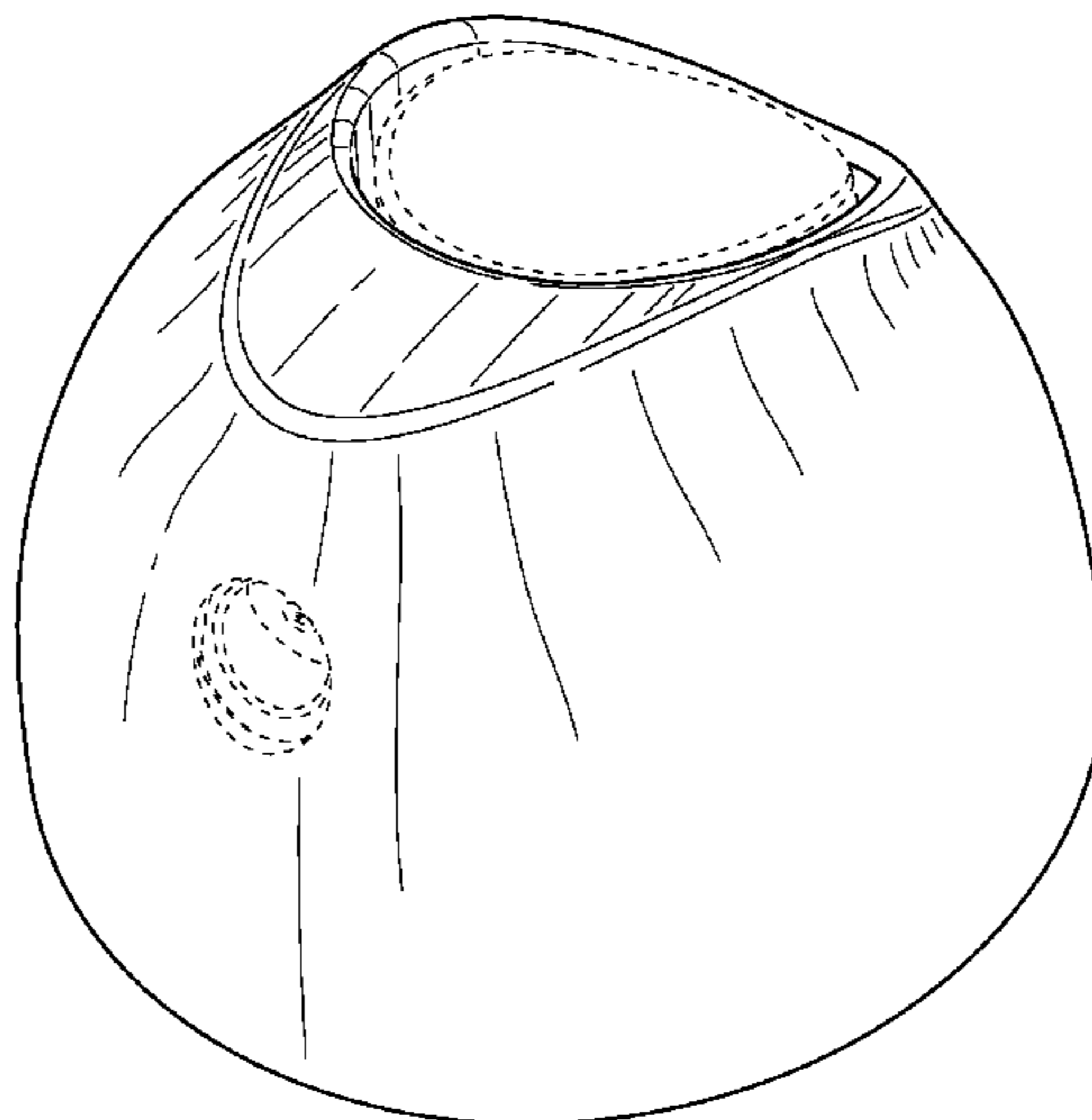
FIG. 1 is an isometric view of a top, front, and left side of an  
ornamental design for an overcap;  
FIG. 2 is a front elevational view of the overcap of FIG. 1;  
FIG. 3 is a rear elevational view of the overcap of FIG. 1;  
FIG. 4 is a left side elevational view of the overcap of FIG. 1;  
FIG. 5 is a right side elevational view of the overcap of FIG.  
1; and,  
FIG. 6 is a top plan view of the overcap of FIG. 1.  
The broken lines are for the purpose of illustrating environ-  
mental structure and form no part of the claimed design.  
Further, the bottom view forms no part of the claimed design.

(51) **LOC (10) Cl.** ..... **09-07**

(52) **U.S. Cl.**  
CPC ..... **B65D 83/205** (2013.01)  
USPC ..... **D9/448; D9/445**

(58) **Field of Classification Search**  
USPC ..... D9/449, 445, 448, 454, 682, 686, 252;  
222/153.07, 252, 330, 331, 401, 402.1,  
222/402.13, 402.22, 566, 630, 631  
See application file for complete search history.

**1 Claim, 3 Drawing Sheets**



(56)

References Cited

U.S. PATENT DOCUMENTS

D406,763 S 3/1999 Watkins et al.  
 D413,514 S 9/1999 Pericard et al.  
 D413,793 S 9/1999 Favre  
 D414,416 S 9/1999 Watkins  
 6,000,633 A 12/1999 Lund et al.  
 D434,658 S 12/2000 Geier  
 D436,038 S 1/2001 Ruiz de Gopegui  
 D447,948 S 9/2001 Pannozzo et al.  
 6,302,302 B1 10/2001 Albisetti  
 D455,077 S 4/2002 Gaiser et al.  
 D457,429 S 5/2002 Walters  
 6,398,082 B2 6/2002 Clark et al.  
 D462,009 S 8/2002 Poisson et al.  
 D462,896 S 9/2002 Crawford et al.  
 D471,106 S 3/2003 Pannozzo et al.  
 D478,284 S 8/2003 Pannozzo et al.  
 D478,285 S 8/2003 Pannozzo et al.  
 D482,972 S 12/2003 Young et al.  
 D490,699 S 6/2004 Nelson et al.  
 D491,064 S 6/2004 Miller et al.  
 D492,193 S 6/2004 Miller et al.  
 D497,808 S 11/2004 Morris et al.  
 D507,487 S 7/2005 Marroncles  
 D508,209 S 8/2005 Lamb et al.  
 D508,851 S 8/2005 Nelson et al.  
 D508,853 S 8/2005 Ziegenhorn et al.  
 D511,302 S 11/2005 Lamb et al.  
 D512,313 S 12/2005 Liu  
 D513,995 S 1/2006 Miwa  
 7,036,691 B2 5/2006 Nicolas  
 D527,630 S 9/2006 McConville et al.  
 7,104,427 B2 9/2006 Pericard et al.  
 D532,300 S 11/2006 Moretti  
 D532,301 S 11/2006 Moretti  
 D532,302 S 11/2006 Moretti  
 D533,074 S 12/2006 Mongeon et al.  
 D536,969 S 2/2007 Geier  
 D537,715 S 3/2007 Downey et al.  
 D543,106 S 5/2007 Foster et al.  
 D557,145 S 12/2007 Miller et al.  
 D561,024 S 2/2008 Altonen et al.  
 D565,947 S 4/2008 Downey et al.  
 D567,651 S 4/2008 Bloc  
 D569,247 S 5/2008 Decottignies  
 D575,153 S 8/2008 Caroen et al.  
 D576,490 S 9/2008 Mazurkiewicz et al.  
 D578,005 S 10/2008 Shurtleff et al.  
 D579,342 S 10/2008 Claughton et al.  
 D580,265 S 11/2008 Turchi  
 D580,776 S 11/2008 Claughton et al.  
 D587,576 S 3/2009 Miller et al.

D596,939 S 7/2009 Moretti  
 D602,363 S 10/2009 Chaffler  
 D625,998 S 10/2010 Claassen  
 7,854,356 B2 12/2010 Eberhardt  
 7,922,041 B2 4/2011 Gurrisi et al.  
 D643,303 S 8/2011 Bicknell et al.  
 D653,559 S 2/2012 Bicknell et al.  
 D662,415 S 6/2012 Bicknell et al.  
 D664,432 S 7/2012 Jordan  
 D665,668 S 8/2012 Cho et al.  
 D666,491 S \* 9/2012 Adams et al. .... D9/448  
 D680,432 S 4/2013 Geier  
 2003/0129142 A1 7/2003 Schroeder et al.  
 2004/0140328 A1 7/2004 Pericard et al.  
 2005/0279781 A1 \* 12/2005 Pugne ..... 222/556

FOREIGN PATENT DOCUMENTS

DE 49810445-0001 7/1999  
 EM 000155338-0002 6/2004  
 EM 000318928-0001 5/2005  
 EM 000291719-0009 10/2005  
 EM 000415260-0001 2/2006  
 EM 000449855-0002 2/2006  
 EM 000500152-0001 6/2006  
 EM 000512207-0001 6/2006  
 EM 000729306-0003 6/2007  
 EM 000735139-0002 6/2007  
 EM 007491480007 7/2007  
 EM 001733338-0001 7/2010  
 GB 2038953 11/1993  
 GB 2055558 4/1996  
 GB 2072025 1/1998  
 GB 2082538 10/1998  
 GB 3020280 3/2005  
 WO 048855 10/1999  
 WO 057973 12/2001  
 WO 064600 12/2003  
 WO WO2010052168 5/2010

OTHER PUBLICATIONS

Dove Original Anti Perspirant Spray Deodorant, <<http://www.amazon.com/Dove-Original-Perspirant-Spray-Deodorant-150/dp/B001RYNL3G>>, accessed on Jun. 27, 2012.  
 Imperial Leather Foamburt Foaming Shower Gel, <<http://www.pakswholesale.com/brand/cussons/cussons/imperial-leather-foamburst-foaming-shower-gel.html>>, accessed on Jun. 27, 2012.  
 Mum Active Clear Antiperspirant, <<http://www.pharmacyathand.co.uk/gbu0-prodshow/Mum-Deodorant-Active-Clear-Anti-Perspirant-Spray.html>>, accessed on Jun. 27, 2012.

\* cited by examiner

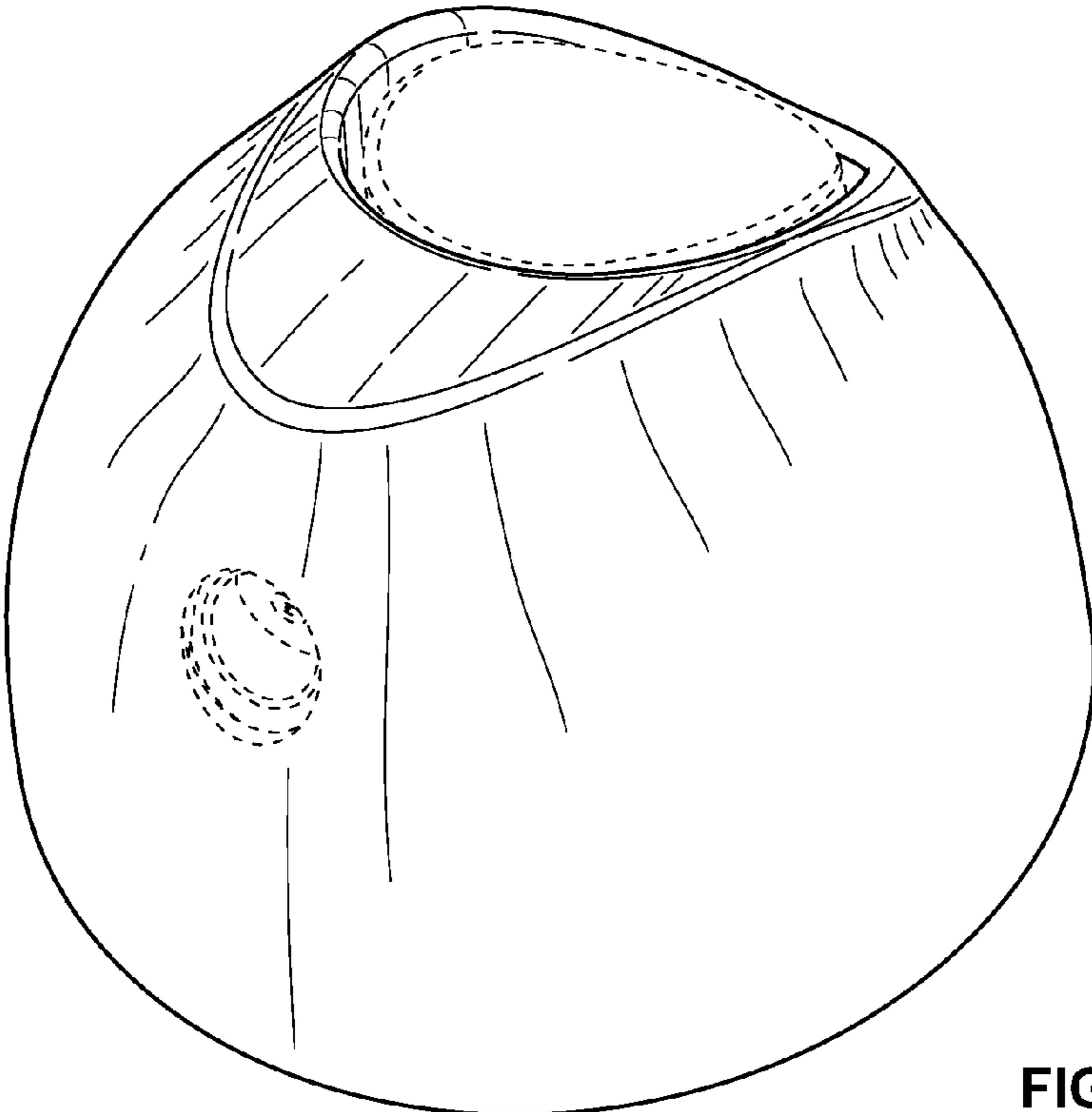


FIG. 1

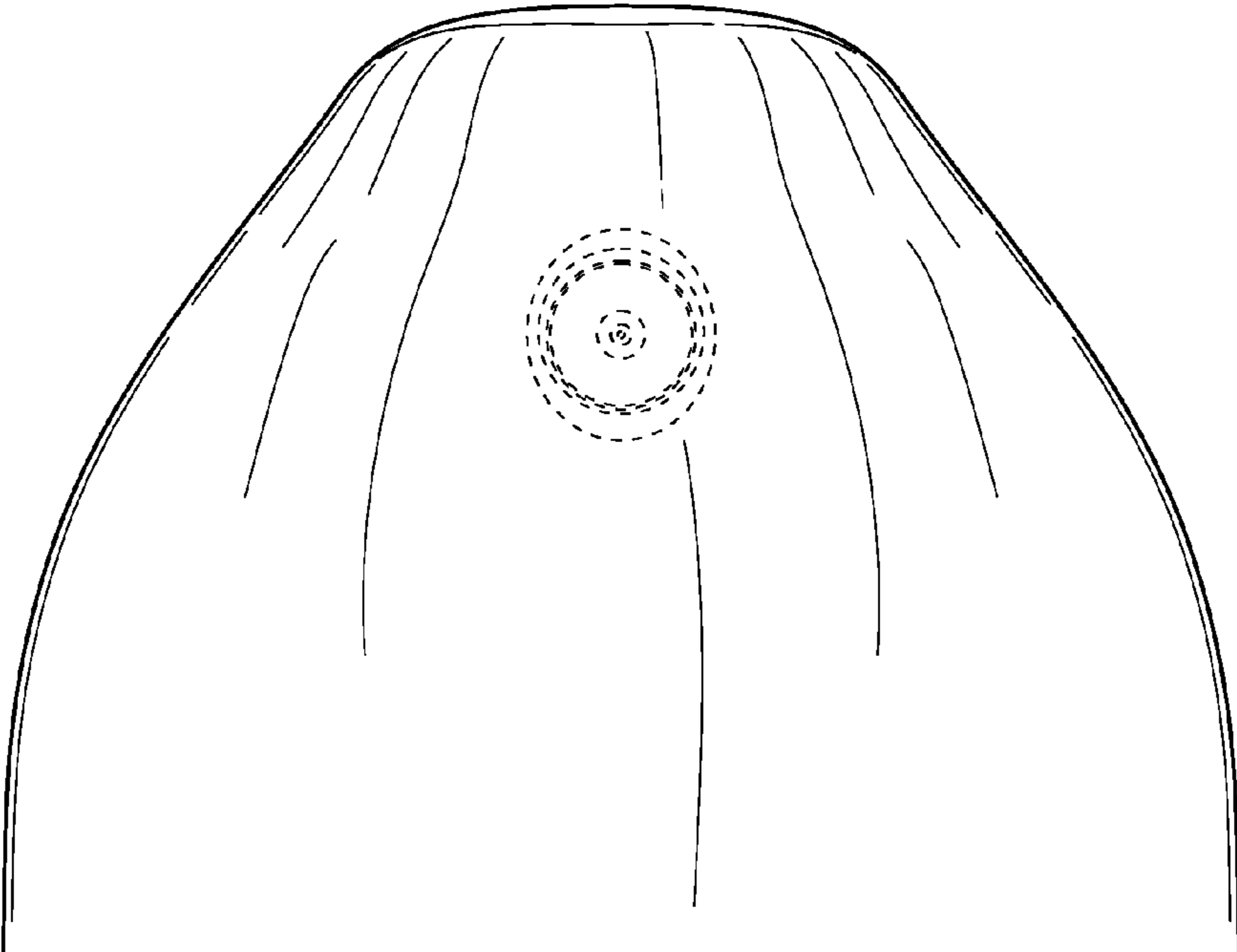


FIG. 2

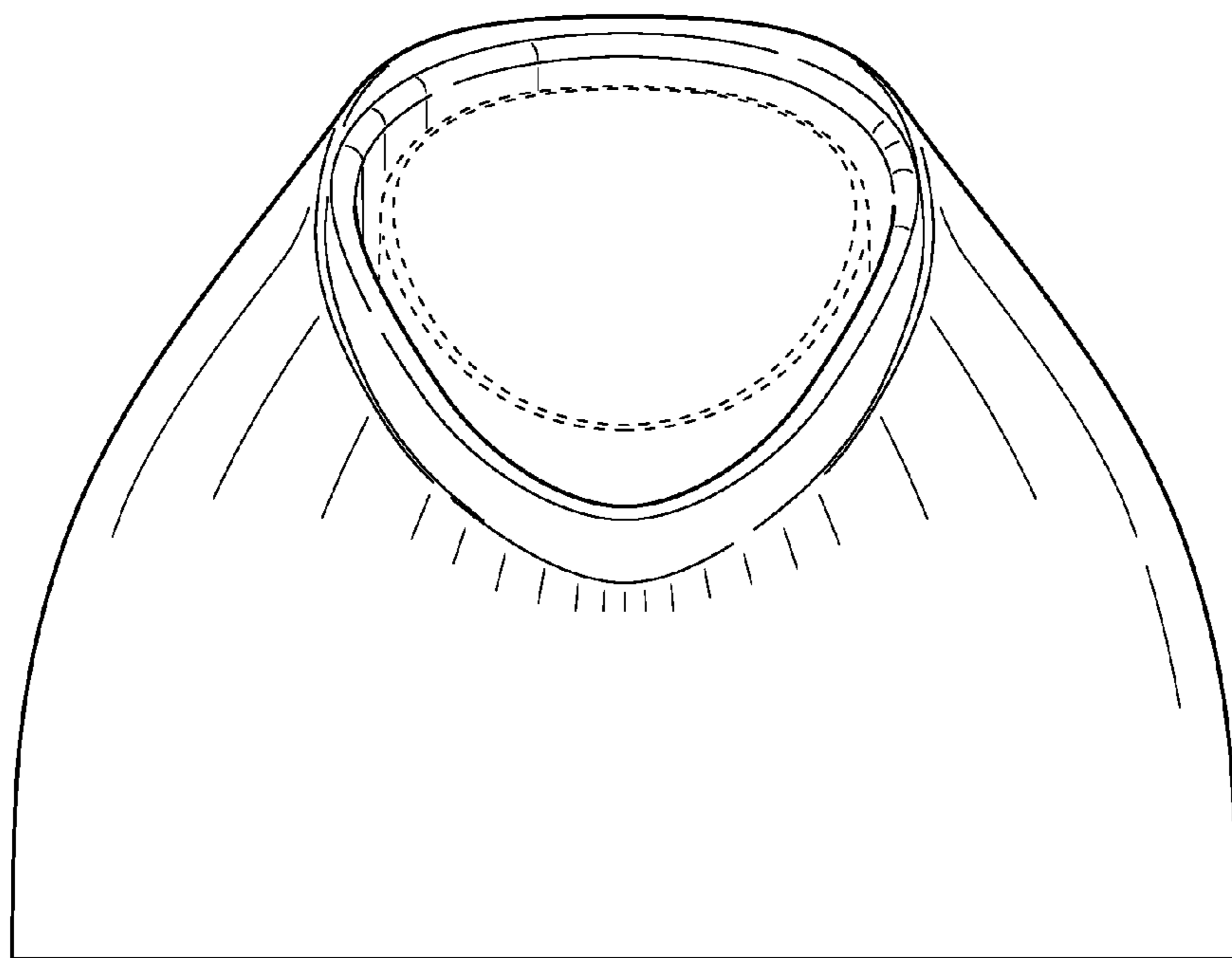


FIG. 3

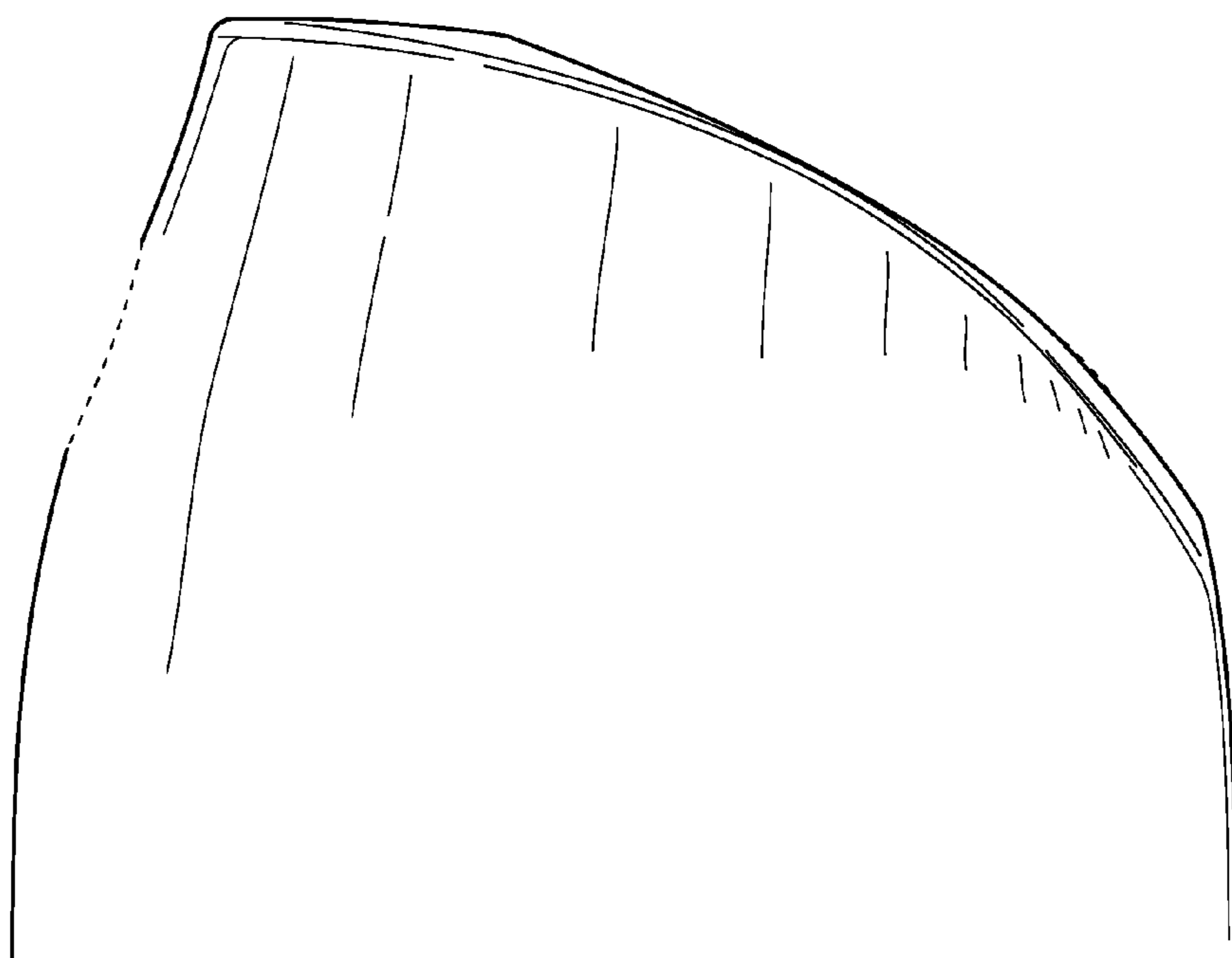


FIG. 4

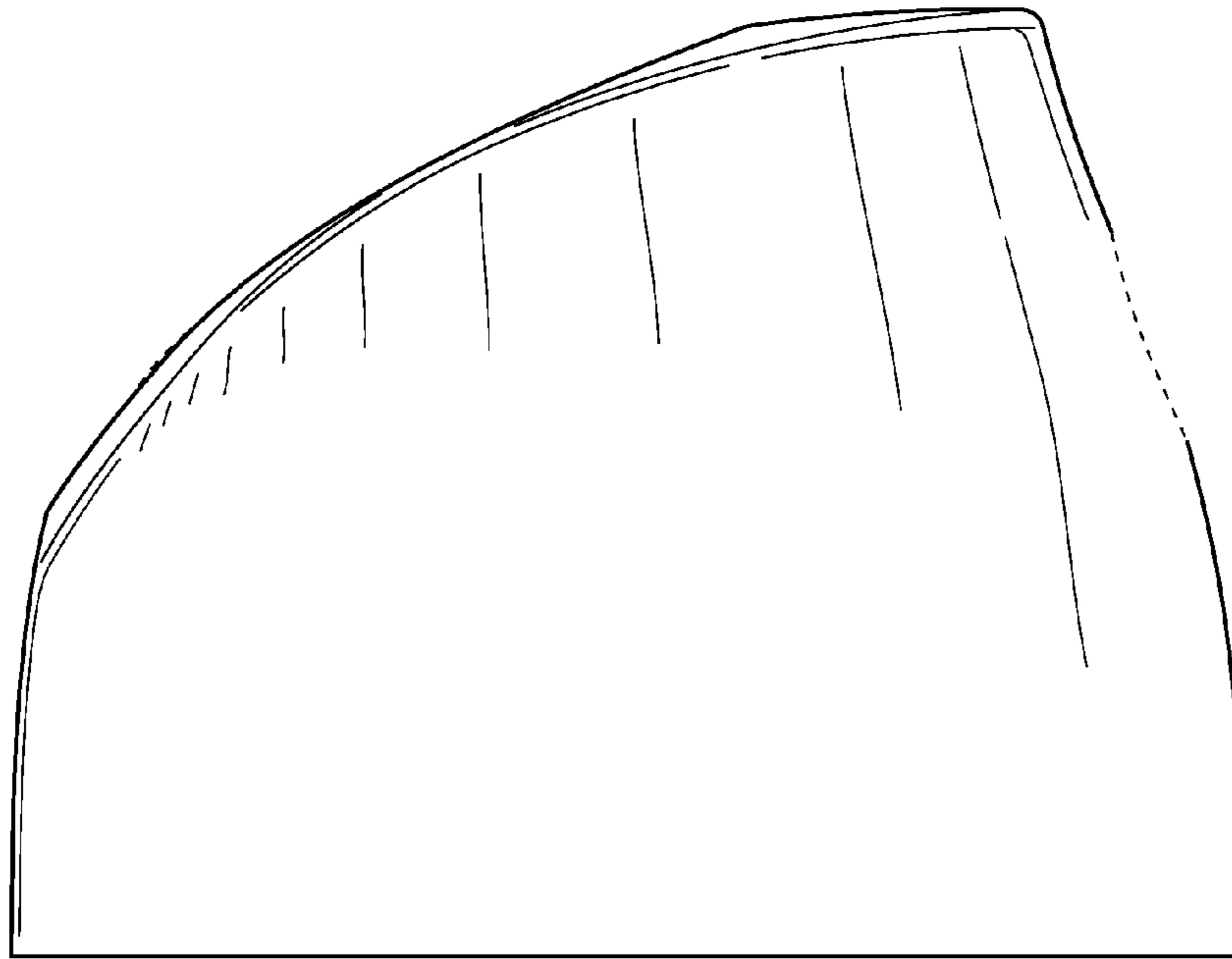


FIG. 5

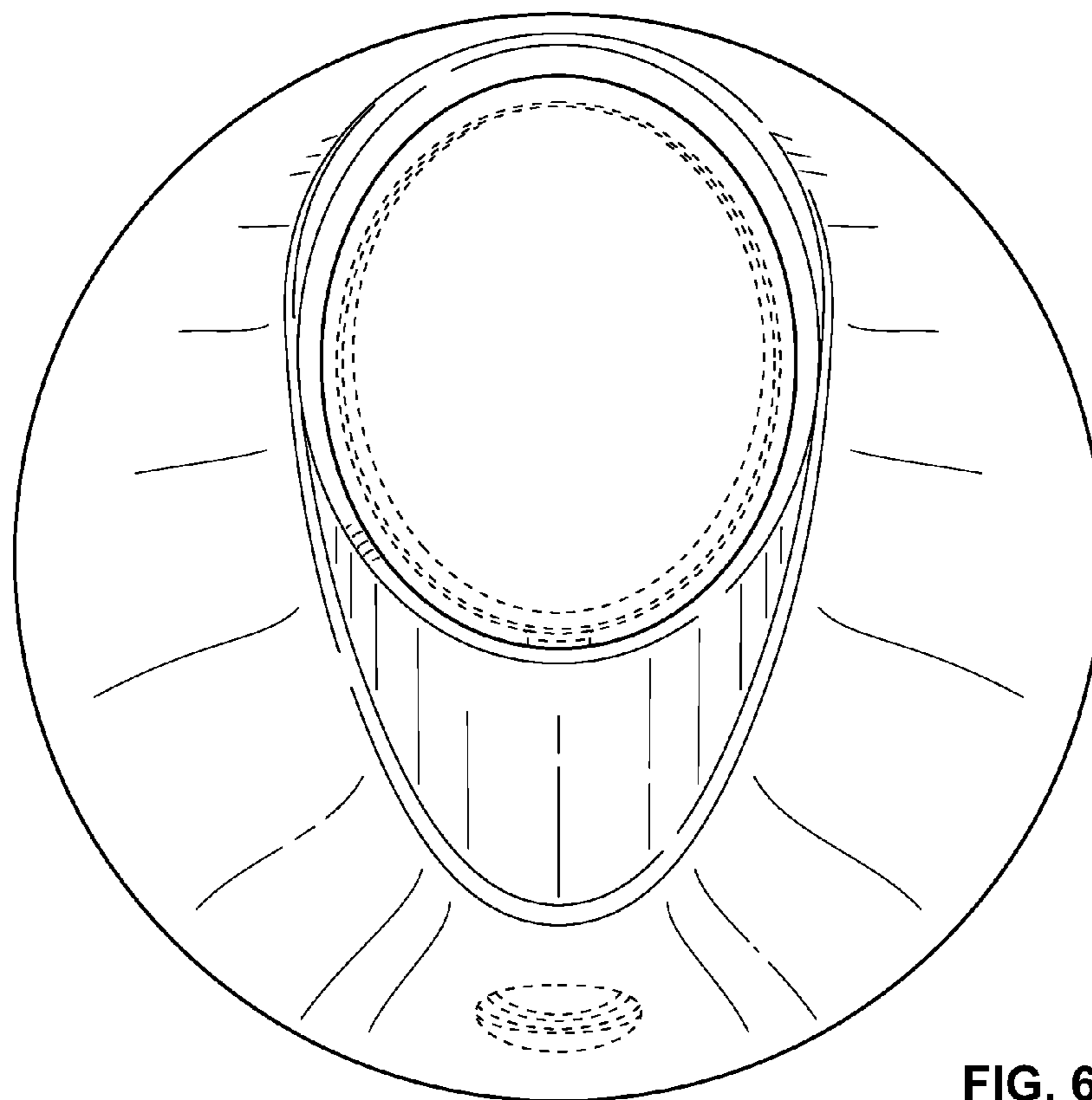


FIG. 6