



US00D700515S

(12) **United States Design Patent**
Herbst

(10) **Patent No.:** **US D700,515 S**
(45) **Date of Patent:** **** Mar. 4, 2014**

(54) **DRINKING AND MISTING BOTTLE WITH UPWARDLY SLOPED SIDES**

(76) Inventor: **Scot Herbst**, Santa Cruz, CA (US)

(**) Term: **14 Years**

(21) Appl. No.: **29/421,035**

(22) Filed: **May 9, 2012**

(51) **LOC (10) Cl.** **09-07**

(52) **U.S. Cl.**
USPC **D9/448**

(58) **Field of Classification Search**
USPC D9/434, 435, 448, 449; D23/213, 226;
222/323, 383.1, 383.3, 402.15;
239/120, 215, 333, 394, 526, 539;
417/178, 198, 411
See application file for complete search history.

(56) **References Cited**

U.S. PATENT DOCUMENTS

4,142,653	A *	3/1979	Mascia et al.	222/207
D458,539	S *	6/2002	Bakic	D9/448
D474,403	S *	5/2003	Fahy et al.	D9/448
D476,558	S *	7/2003	Cho et al.	D9/685
D488,379	S *	4/2004	Healy et al.	D9/448
6,742,717	B2 *	6/2004	Aberegg et al.	239/1
D536,970	S *	2/2007	Shannan et al.	D9/448
D537,359	S *	2/2007	Butler et al.	D9/685
D538,650	S *	3/2007	Paas et al.	D9/448
D539,142	S *	3/2007	Butler et al.	D9/448
D613,599	S *	4/2010	Khubani	D9/446
2010/0219211	A1 *	9/2010	Smith et al.	222/402.15

OTHER PUBLICATIONS

Misting Water Bottle by O2 Cool. Brody's Camp Supplies & Custom Printing website. (c) 2011-2013. <http://www.brodysonline.com/Misting-Water-Bottle-by-O2-cool-Misth20.htm>.*

* cited by examiner

Primary Examiner — Robert M Spear

(74) *Attorney, Agent, or Firm* — Knechtel, Demeur & Samlan

(57) **CLAIM**

I claim the ornamental design for a drinking and misting bottle with upwardly sloped sides, as shown and described.

DESCRIPTION

FIG. 1 is a front perspective view of the drinking and misting bottle with upwardly sloped sides
FIG. 2 is a rear perspective view of the drinking and misting bottle with upwardly sloped sides
FIG. 3 is a front elevational view of the drinking and misting bottle with upwardly sloped sides
FIG. 4 is a rear elevational view of the drinking and misting bottle with upwardly sloped sides
FIG. 5 is a side elevational view of the drinking and misting bottle with upwardly sloped sides
FIG. 6 is a side elevational view of the opposed side of the drinking and misting bottle with upwardly sloped sides
FIG. 7 is a top elevational view of the drinking and misting bottle with upwardly sloped sides; and,
FIG. 8 is a bottom elevational view of the drinking and misting bottle with upwardly sloped sides.

1 Claim, 6 Drawing Sheets

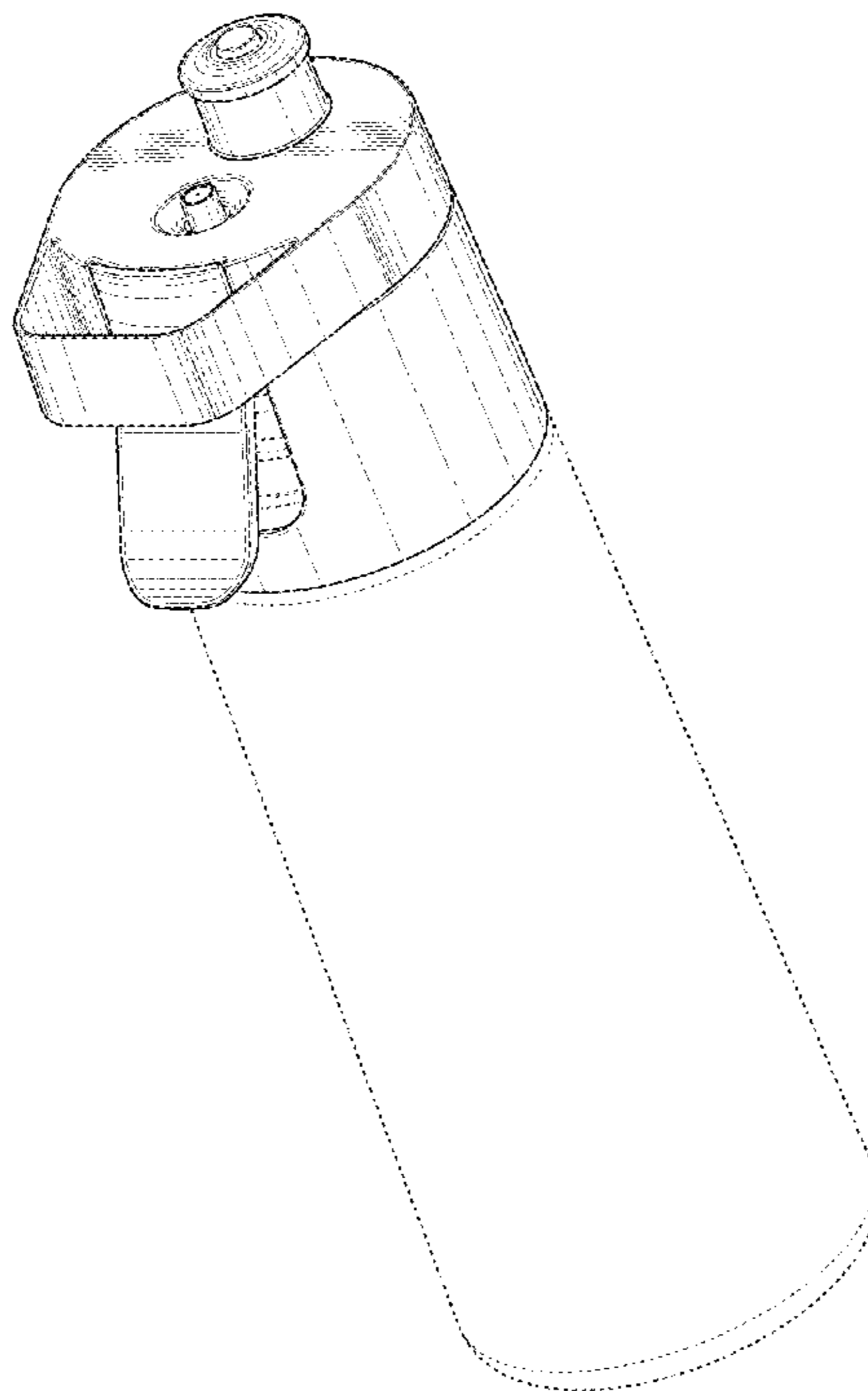




FIG. 1

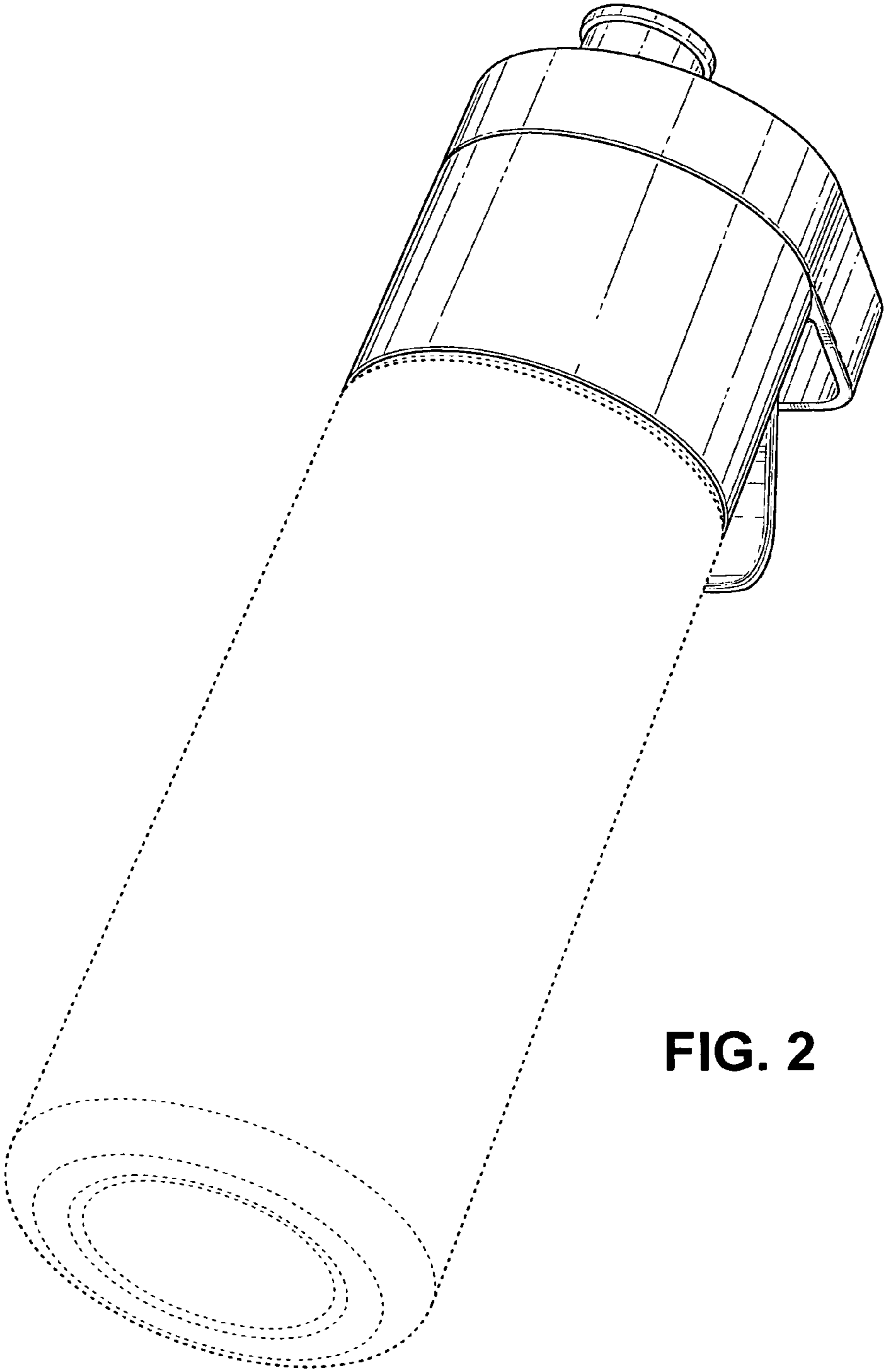


FIG. 2

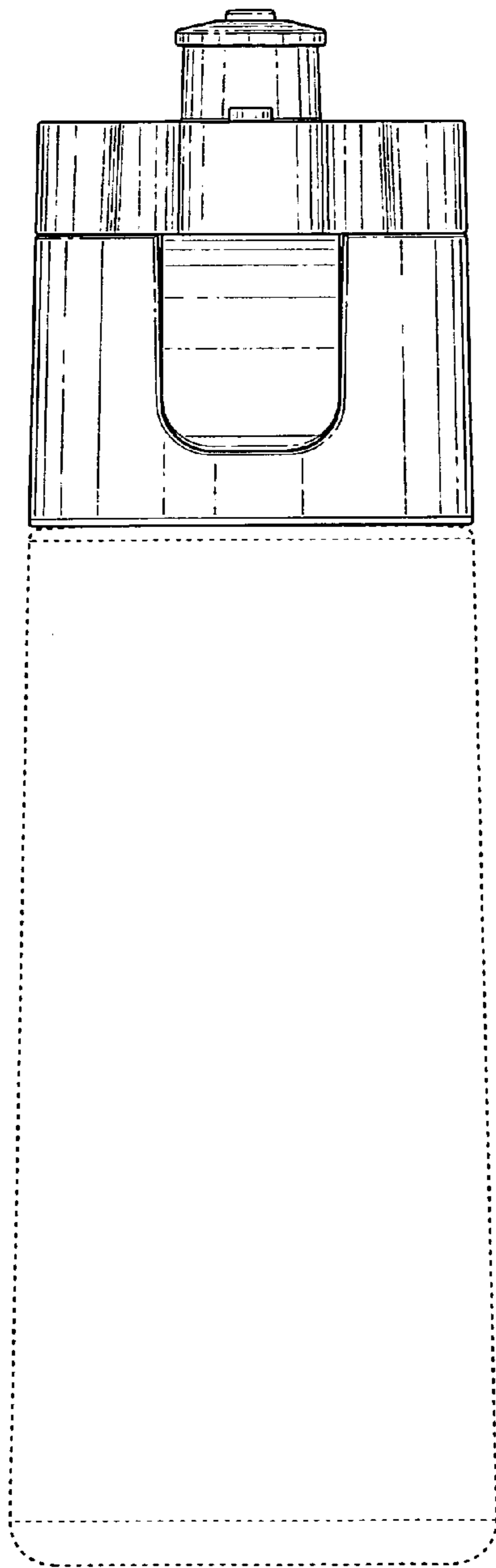


FIG. 3

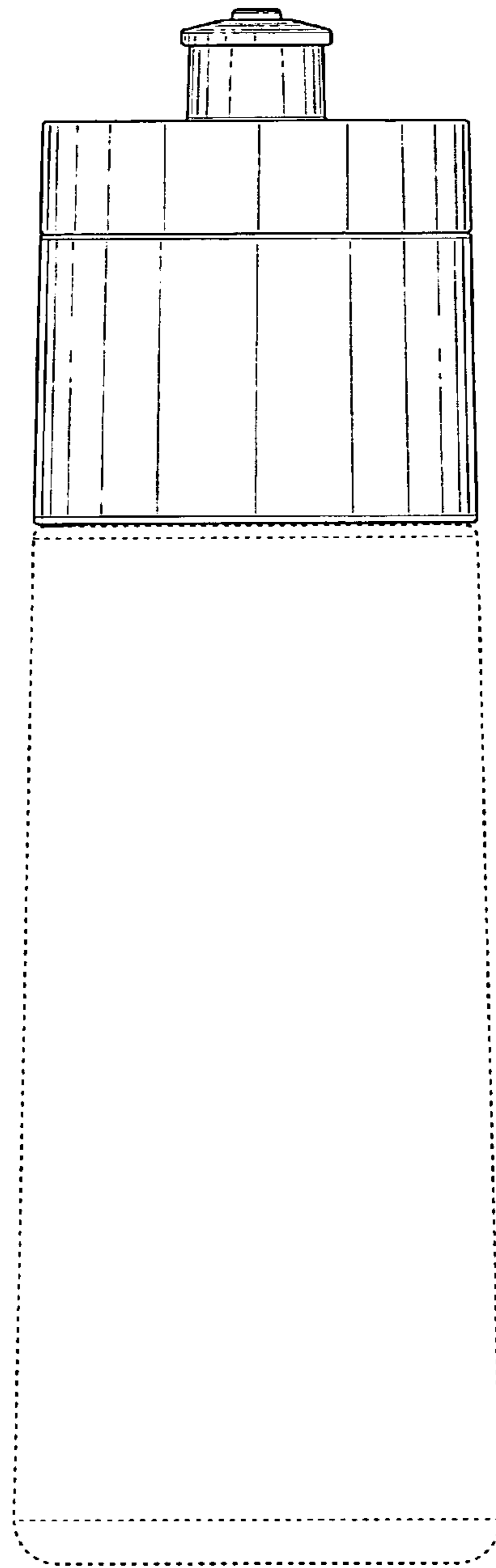


FIG. 4

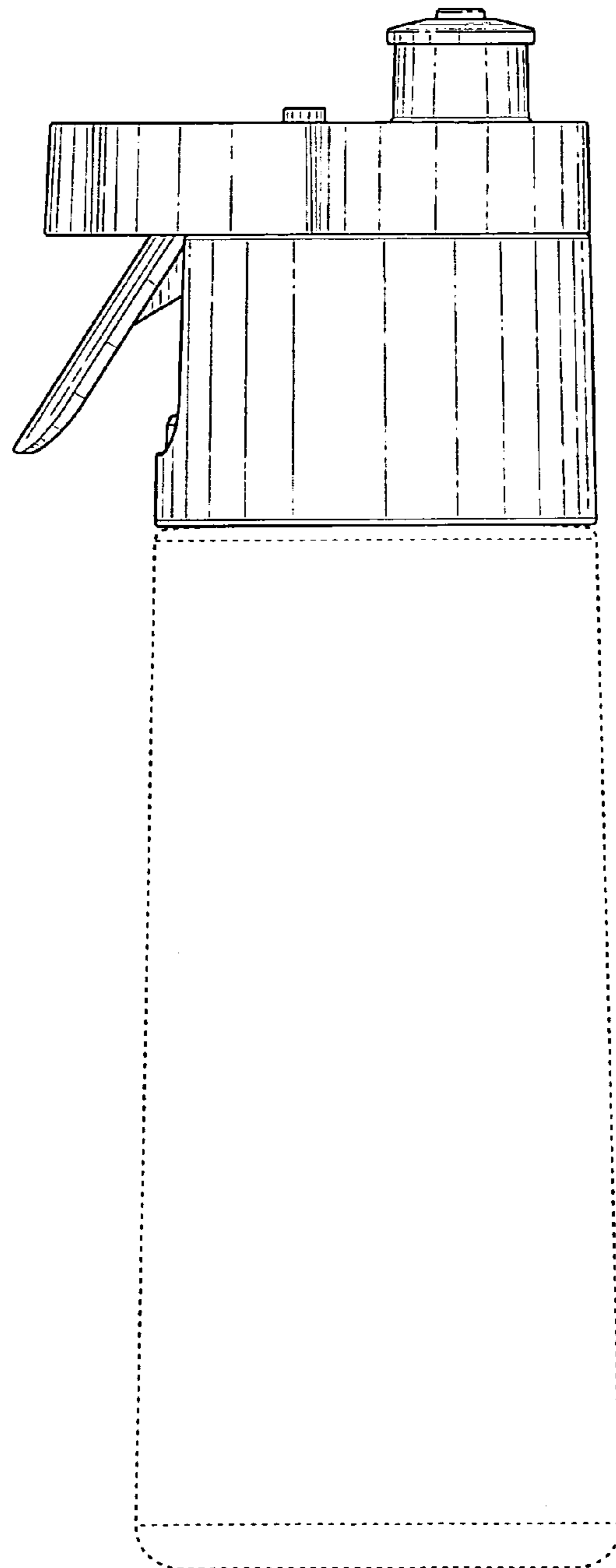


FIG. 5

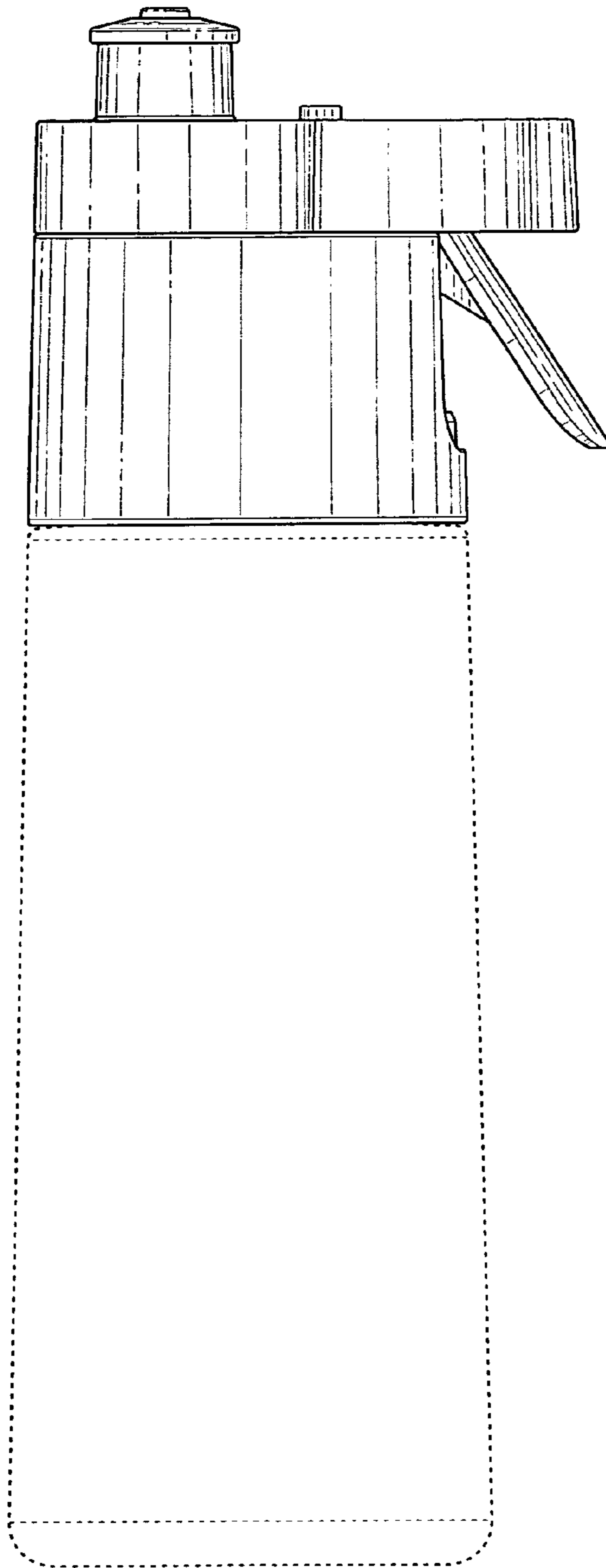


FIG. 6

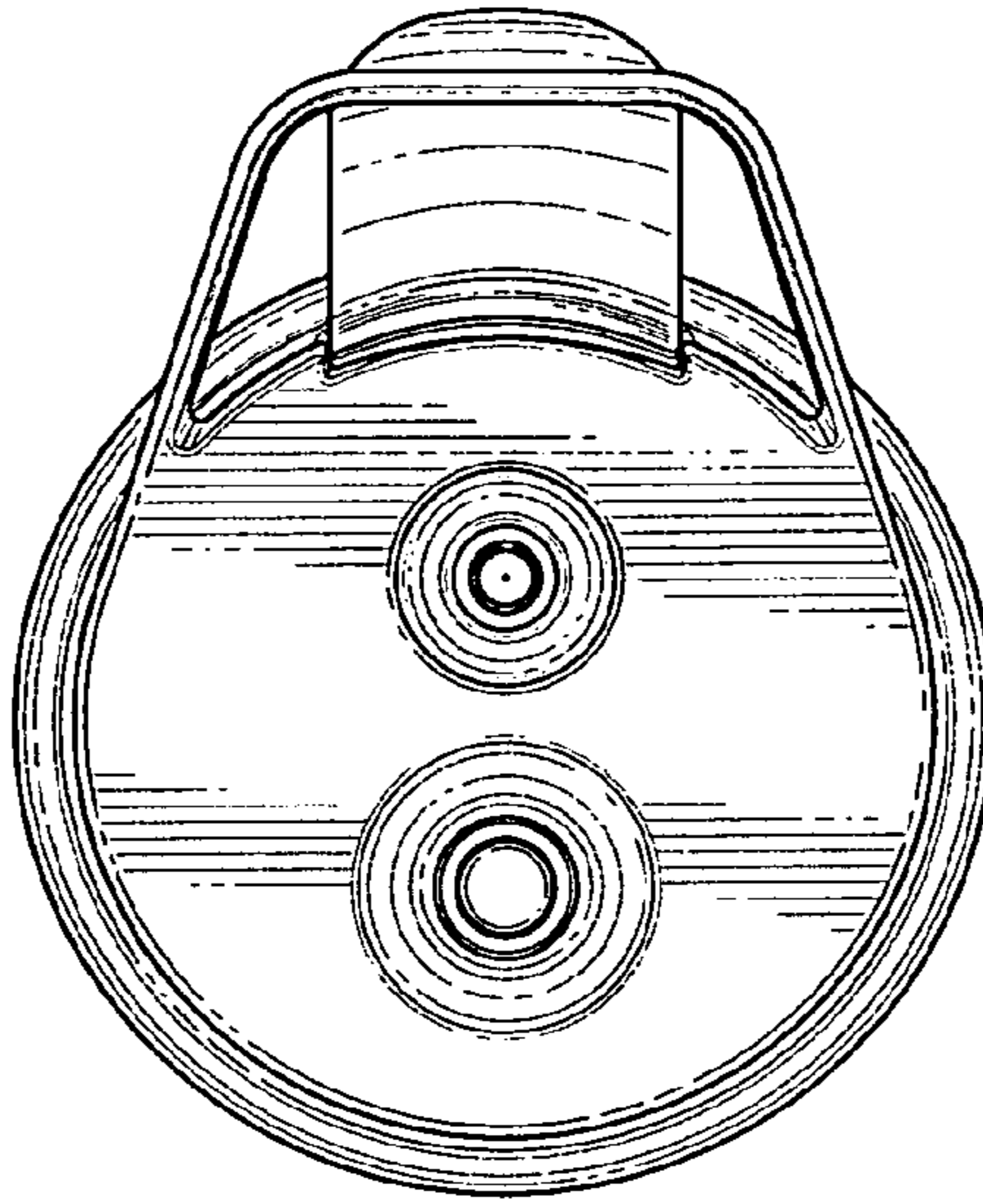


FIG. 7

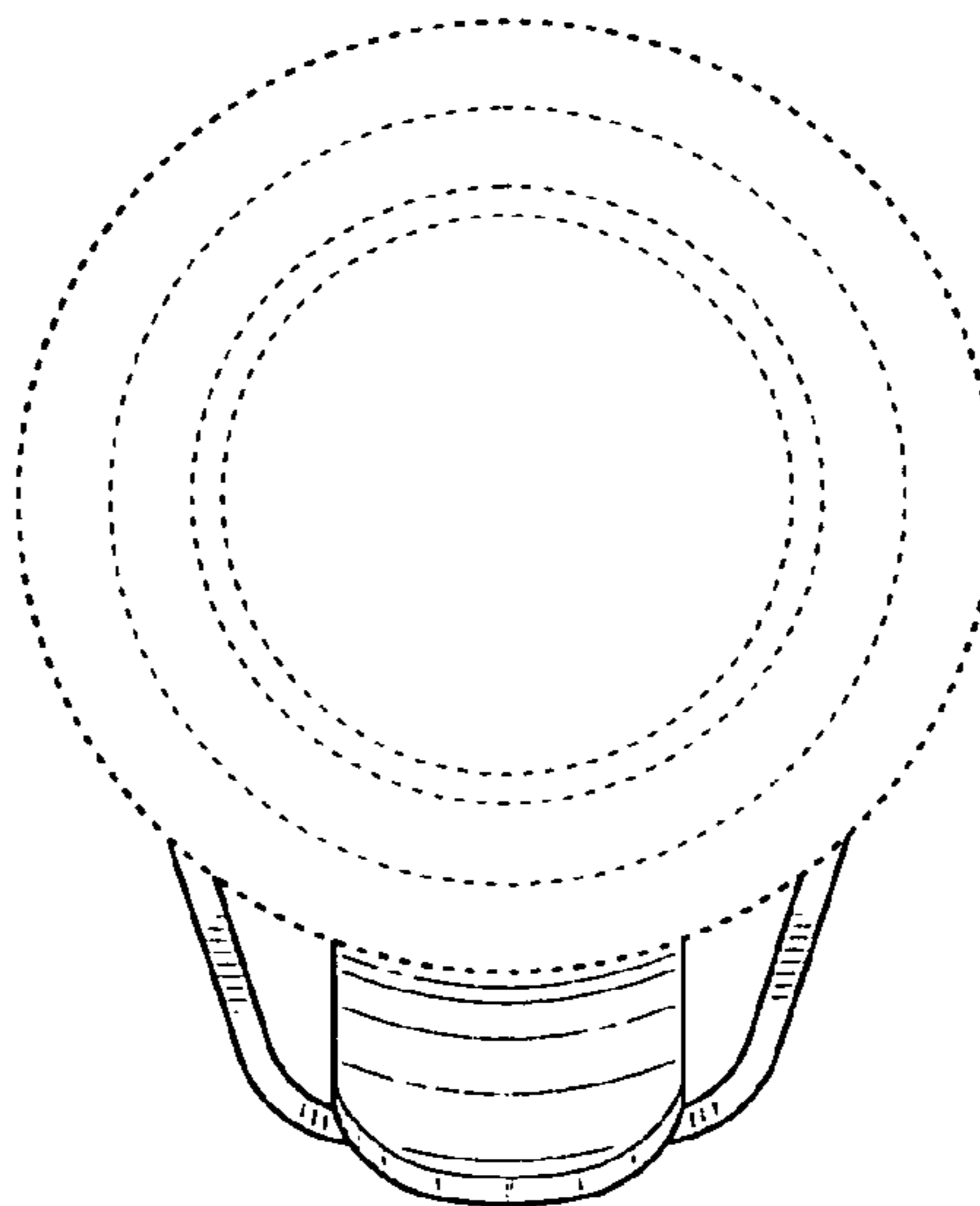


FIG. 8