



US00D700513S

(12) **United States Design Patent**
Carsrud et al.

(10) **Patent No.:** **US D700,513 S**
(45) **Date of Patent:** **** Mar. 4, 2014**

(54) **LEAK-PROOF LID FOR A DISPOSABLE CUP**

(76) Inventors: **Ronald D. Carsrud**, Cornville, AZ (US);
Noreen R. Nylander, Cornville, AZ
(US)

(**) **Term:** **14 Years**

(21) **Appl. No.:** **29/411,361**

(22) **Filed:** **Jan. 19, 2012**

(51) **LOC (10) Cl.** **09-07**

(52) **U.S. Cl.**
USPC **D9/447**

(58) **Field of Classification Search**
USPC D9/454, 434, 435, 438, 441, 445, 447,
D9/449, 450; D7/317, 396.2, 510, 511,
D7/629; 220/712, 713, 719; 222/111, 212,
222/531

See application file for complete search history.

(56) **References Cited**

U.S. PATENT DOCUMENTS

1,865,764	A	7/1932	Keenan	
2,070,377	A	2/1937	Simmons	
3,608,793	A	9/1971	VanLobenSels	
4,133,457	A	1/1979	Klassen	
4,553,693	A	11/1985	Terajima et al.	
5,071,017	A	12/1991	Stull	
5,147,065	A	9/1992	Rush et al.	
5,183,172	A	2/1993	Boller	
D336,596	S *	6/1993	Osgood et al.	D7/608
5,397,023	A	3/1995	Toczek	
D359,451	S *	6/1995	Dees	D9/443
6,192,025	B1 *	2/2001	Chen	720/719
D442,864	S *	5/2001	Davies	D9/454
6,592,504	B2	7/2003	Sarson et al.	
6,771,588	B2 *	8/2004	Poole et al.	369/291.1
D495,600	S *	9/2004	Kouri	D9/435
6,824,003	B1	11/2004	Wong	
6,964,401	B1 *	11/2005	Kelley et al.	248/346.11

6,976,604	B2	12/2005	Connors, Jr.	
6,991,128	B1	1/2006	Russo et al.	
D518,728	S *	4/2006	Frantz	D9/504
D623,519	S *	9/2010	Richardson	D9/454
D635,027	S *	3/2011	Gonzalez Sanchez et al.	D9/449
D642,057	S *	7/2011	Reed et al.	D9/453
2010/0277443	A1	11/2010	Yamazaki et al.	

OTHER PUBLICATIONS

Straw Slot Lid for Coke/Pepsi Cups, R&R Packaging website, (c) 2012, found Nov. 19, 2013 at <http://www.rpackaging.co.uk/product/straw-slot-lids-for-coke-pepsi-cups-16-22oz-x2000>.*

(Continued)

Primary Examiner — Robert M Spear
(74) *Attorney, Agent, or Firm* — Robert C. Montgomery;
Montgomery Patent & Design

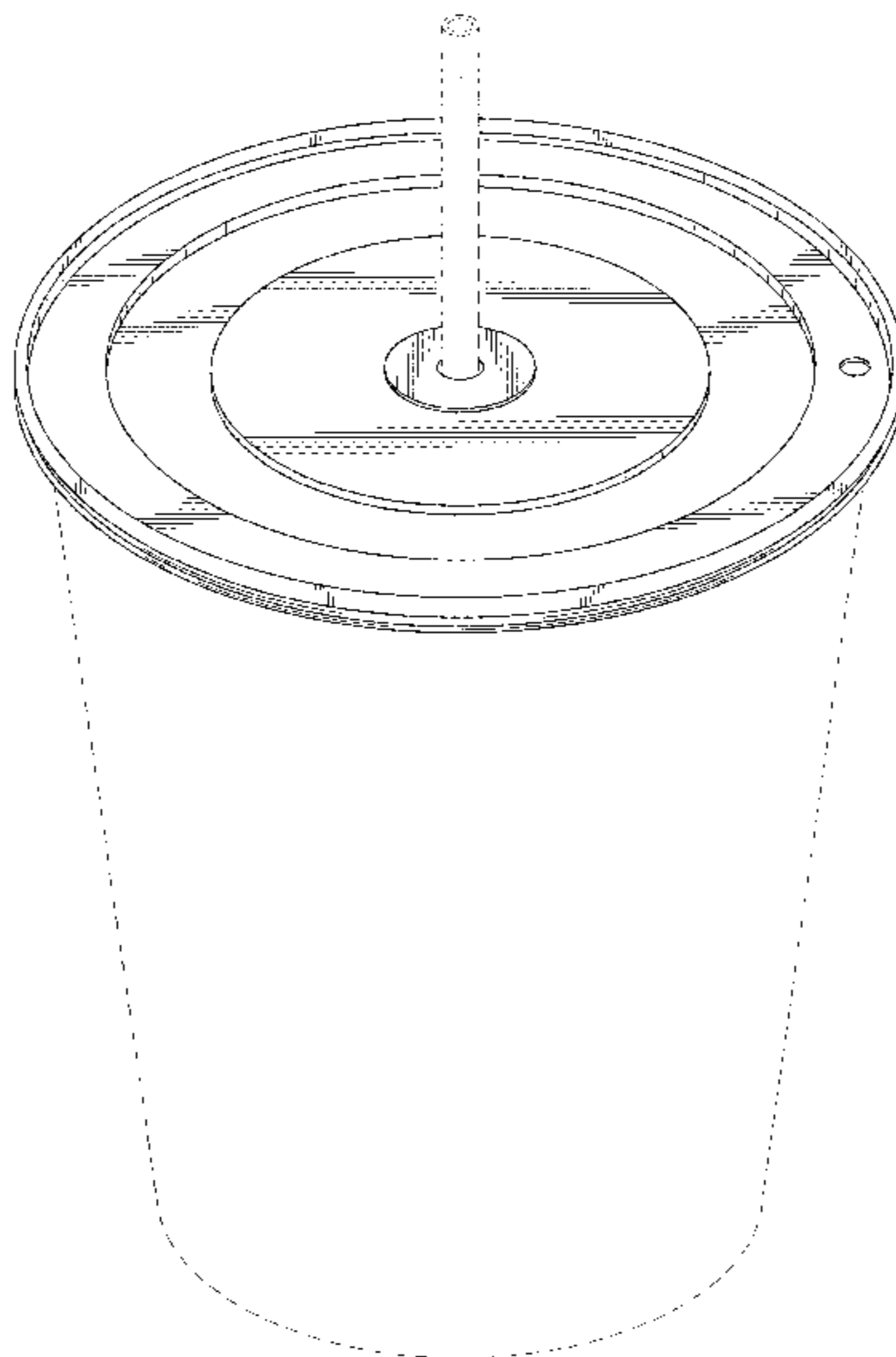
(57) **CLAIM**

The ornamental design for a leak-proof lid for a disposable cup, as shown and described.

DESCRIPTION

FIG. 1 is a top perspective view of a leak-proof lid for a disposable cup depicted as attached to a disposable cup, showing our new design;
FIG. 2 is a top perspective view of the leak-proof lid for a disposable cup;
FIG. 3 is a front view thereof with a rear view, a left side view, and a right side view being a mirror image;
FIG. 4 is a top view thereof;
FIG. 5 is a bottom view thereof; and,
FIG. 6 is a cross section view thereof.
The broken line showing of a disposable cup and straw in FIG. 1 illustrates unclaimed environment and forms no part of the claimed design.

1 Claim, 6 Drawing Sheets



(56)

References Cited

OTHER PUBLICATIONS

Cambro CLSM8B5190 Disposable Lid for Shoreline 5 oz. Bowls.
(c) 2013, found Nov. 19, 2013 at <http://www.webstaurantstore.com/>

[cambro-clsm8b5190-disposable-lid-for-shoreline-5-oz-bowls-and-8-oz-mugs-and-24-oz-del-mar-22-oz-camwear-huntington-and-22-oz-newport-tumblers-1500-case/214CLSMB5190.html](http://www.webstaurantstore.com/cambro-clsm8b5190-disposable-lid-for-shoreline-5-oz-bowls-and-8-oz-mugs-and-24-oz-del-mar-22-oz-camwear-huntington-and-22-oz-newport-tumblers-1500-case/214CLSMB5190.html).*

* cited by examiner

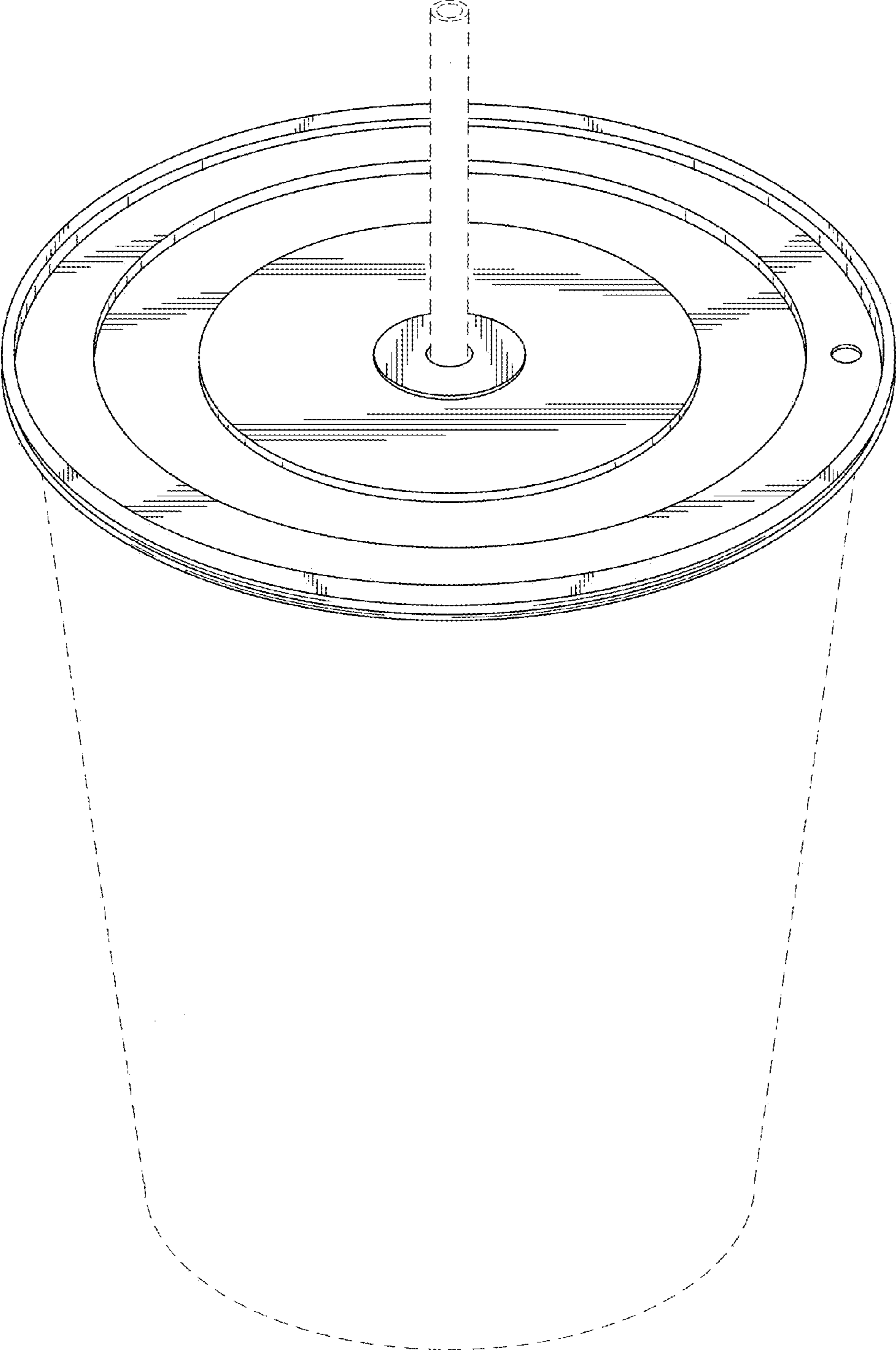


Fig. 1

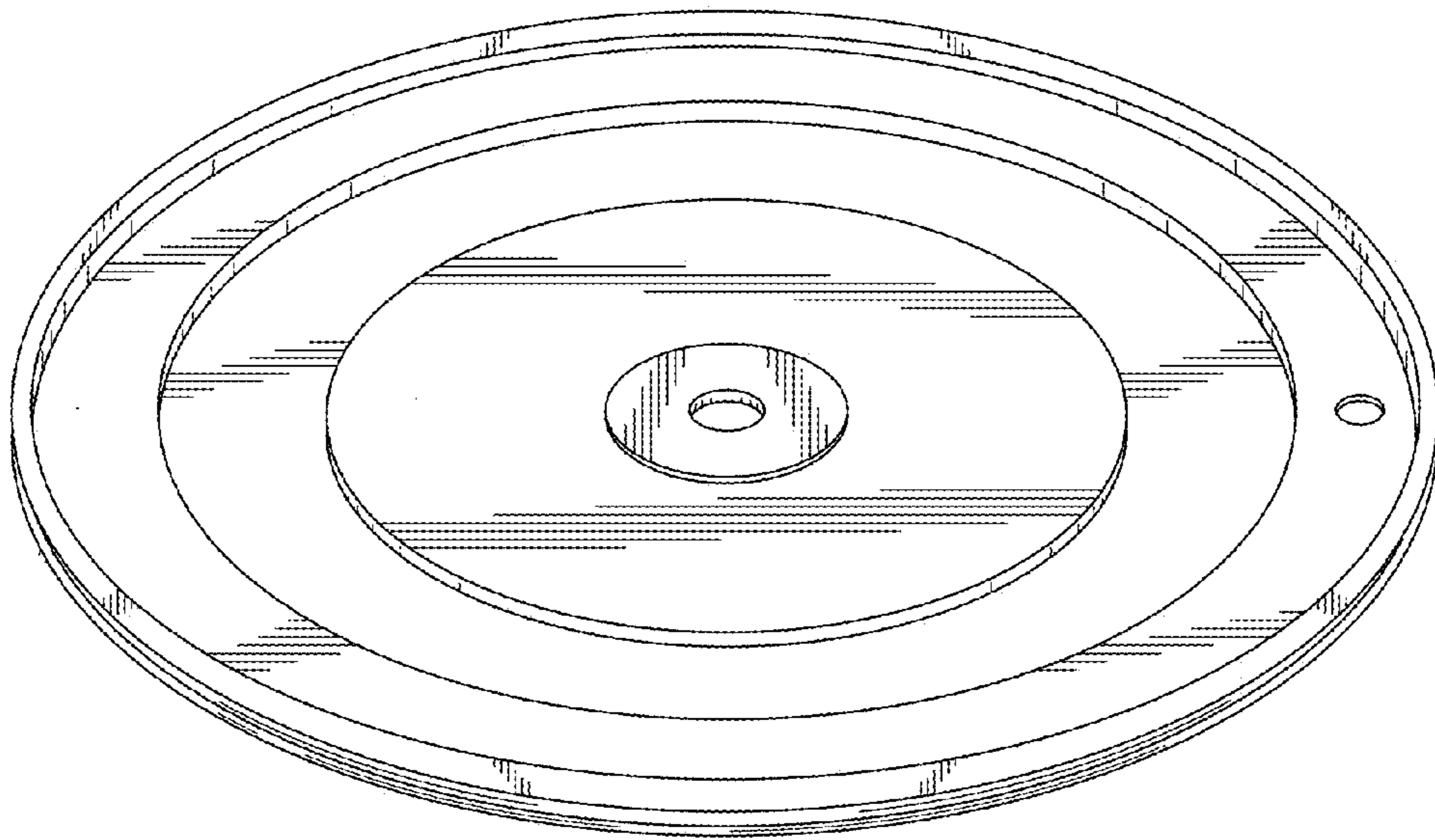


Fig. 2

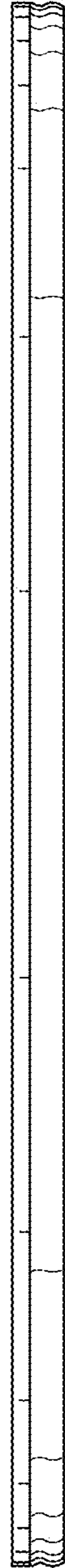


Fig. 3

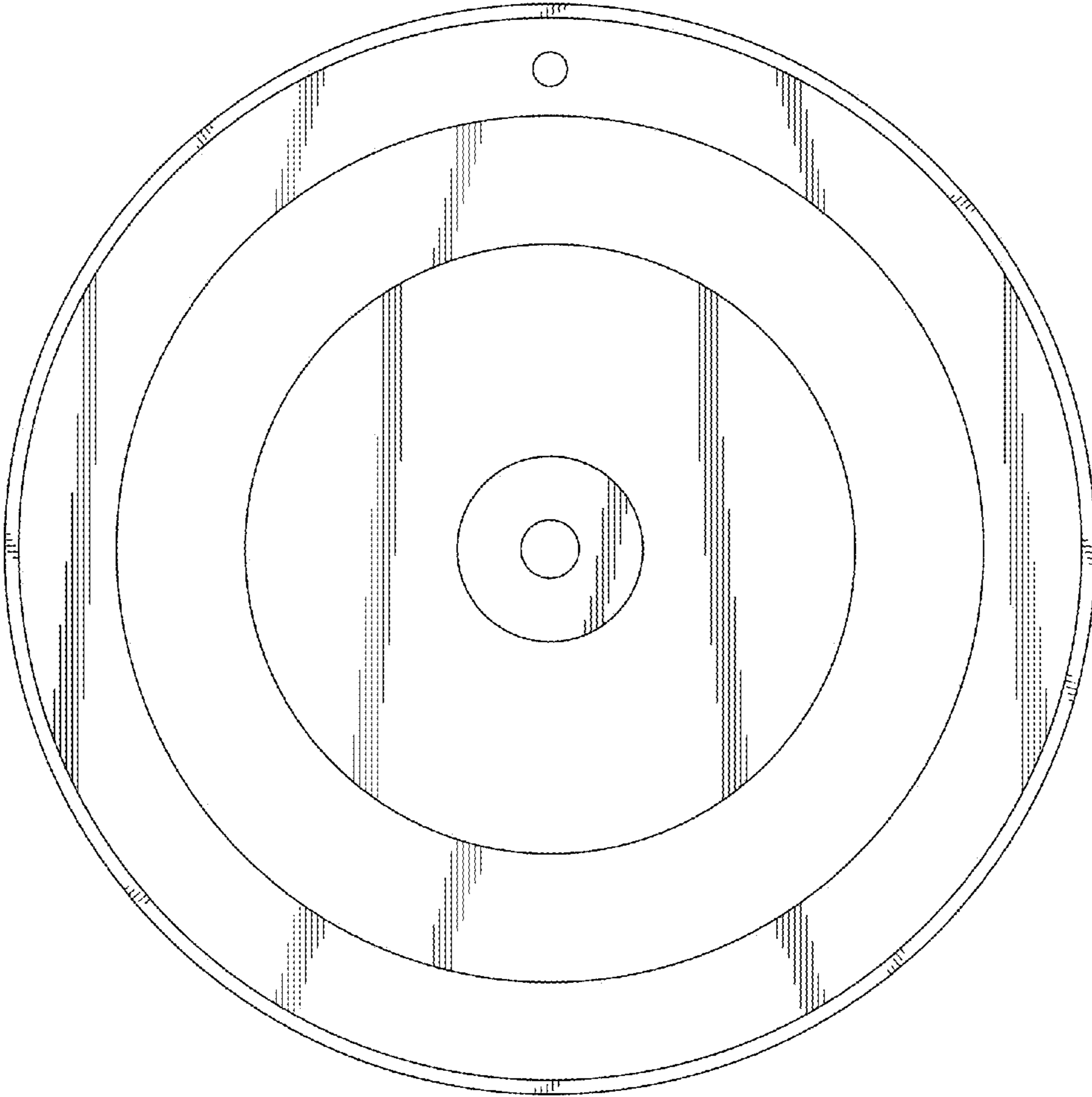


Fig. 4

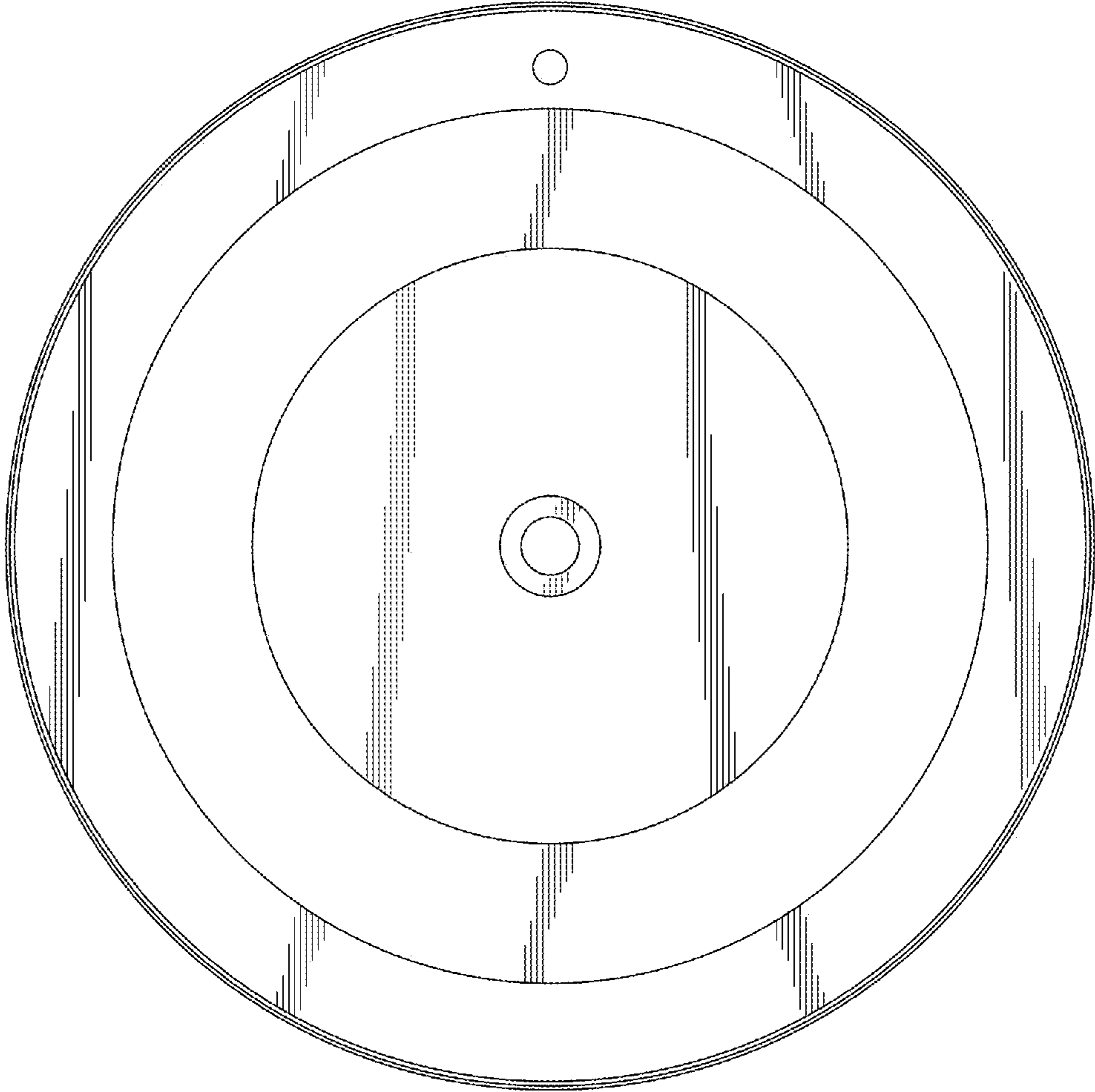


Fig. 5

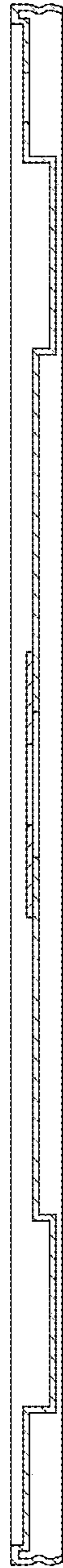


Fig. 6