



US00D700512S

(12) **United States Design Patent**  
**Daniel**

(10) **Patent No.:** **US D700,512 S**  
(45) **Date of Patent:** **\*\* \*Mar. 4, 2014**

(54) **SANITARY LID WITH SCROLLABLE COVER AND A REMOVABLE FILM**

\* cited by examiner

(76) Inventor: **Isaac S. Daniel**, Miramar, FL (US)

*Primary Examiner* — Susan Bennett Hattan

(74) *Attorney, Agent, or Firm* — Carol N. Green, Esq.

(\*) Notice: This patent is subject to a terminal disclaimer.

(57) **CLAIM**

The ornamental design for a sanitary lid with scrollable cover and a removable film, as shown and described.

(\*\*) Term: **14 Years**

**DESCRIPTION**

(21) Appl. No.: **29/407,639**

(22) Filed: **Nov. 30, 2011**

**Related U.S. Application Data**

(63) Continuation-in-part of application No. 29/397,363, filed on Jul. 14, 2011, now Pat. No. Des. 655,162.

(51) **LOC (10) Cl.** ..... **09-07**

(52) **U.S. Cl.**  
USPC ..... **D9/447; D9/449**

(58) **Field of Classification Search**  
USPC ..... D9/449, 447, 438, 435, 434; D7/510, D7/511, 396.2, 392.1; 229/906.1; 220/812, 220/713, 268, 254.9, 254.3, 253  
See application file for complete search history.

FIG. 1 is a top perspective view of the sanitary lid with scrollable cover and a removable film.

FIG. 2 is a bottom perspective view of the sanitary lid with scrollable cover and a removable film.

FIG. 3 is a top perspective view of the sanitary lid with the removable film removed.

FIG. 4 is a top perspective view of the sanitary lid with scrollable cover and a removable film in use.

FIG. 5 is a bottom perspective view of the sanitary lid with scrollable cover and a removable film in use.

FIG. 6 is a top projected view of the sanitary lid with scrollable cover and a removable film illustrating its assembly.

FIG. 7 is a bottom projected view of the sanitary lid with scrollable cover and a removable film illustrating its assembly.

FIG. 8 is a top plan view of the sanitary lid with scrollable cover and a removable film.

FIG. 9 is a bottom plan view of the sanitary lid with scrollable cover and a removable film.

FIG. 10 is a side view of the sanitary lid with scrollable cover and a removable film.

FIG. 11 is a front view of the sanitary lid with scrollable cover and a removable film; and,

FIG. 12 is a rear view of the sanitary lid with scrollable cover and a removable film.

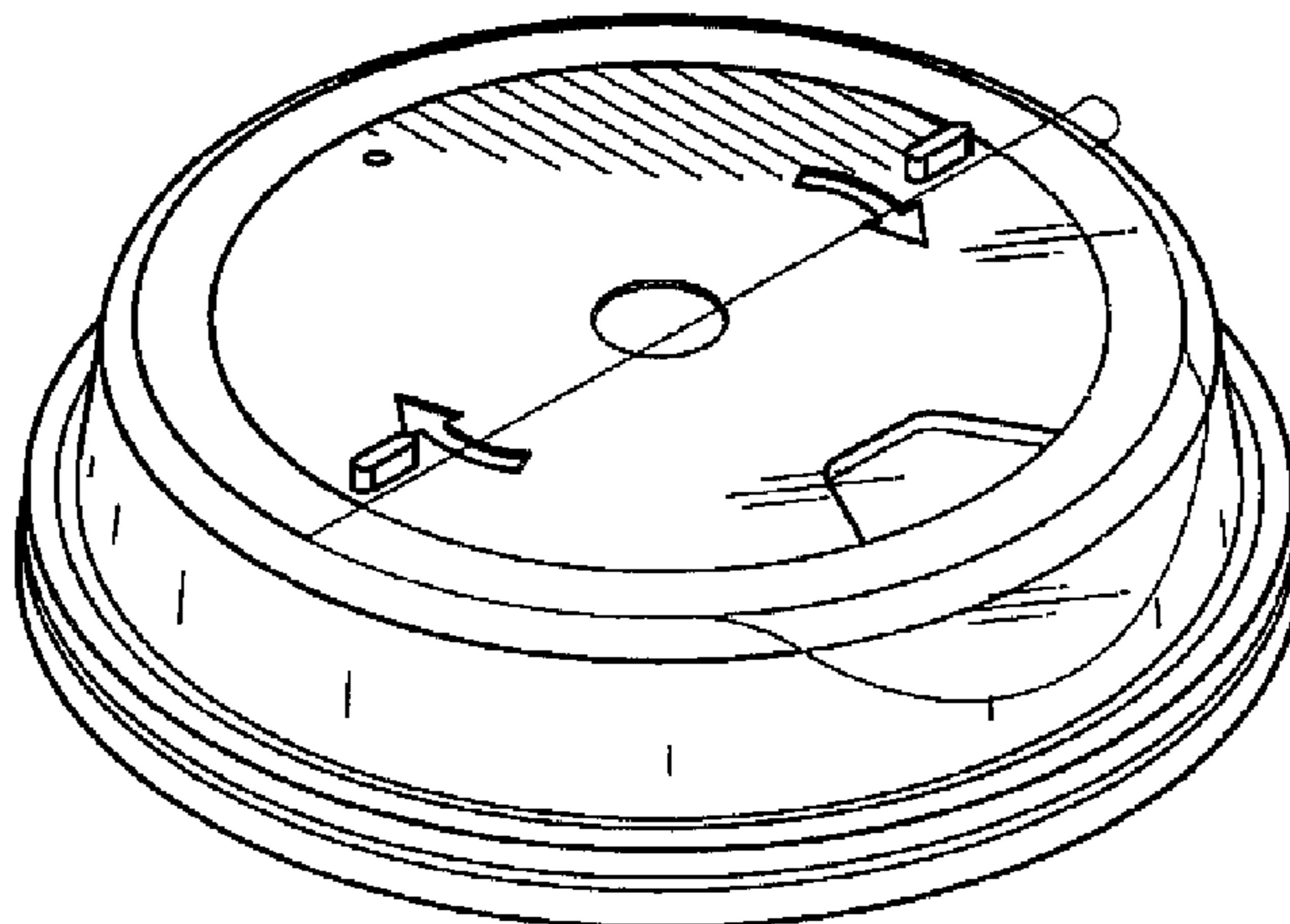
The broken lines in FIGS. 4 and 5 depict a cup with the sanitary lid with scrollable cover and a removable film in use showing the environment forming no part of the claimed design.

(56) **References Cited**

**U.S. PATENT DOCUMENTS**

4,895,270	A	1/1990	Main et al.	
6,575,323	B1	6/2003	Martin et al.	
7,159,732	B2	1/2007	Smith et al.	
D537,717	S	3/2007	Notarianni	
7,246,715	B2	7/2007	Smith et al.	
D591,151	S *	4/2009	Freeman	D9/447
D591,595	S *	5/2009	Tedford, Jr.	D9/447
D614,028	S *	4/2010	Daniel et al.	D9/449
7,845,509	B2	12/2010	Burchard	
D634,192	S *	3/2011	Mueller	D9/436
2005/0127075	A1	6/2005	Smith	
2006/0096983	A1	5/2006	Patterson	
2007/0131691	A1	6/2007	Evans	

**1 Claim, 6 Drawing Sheets**



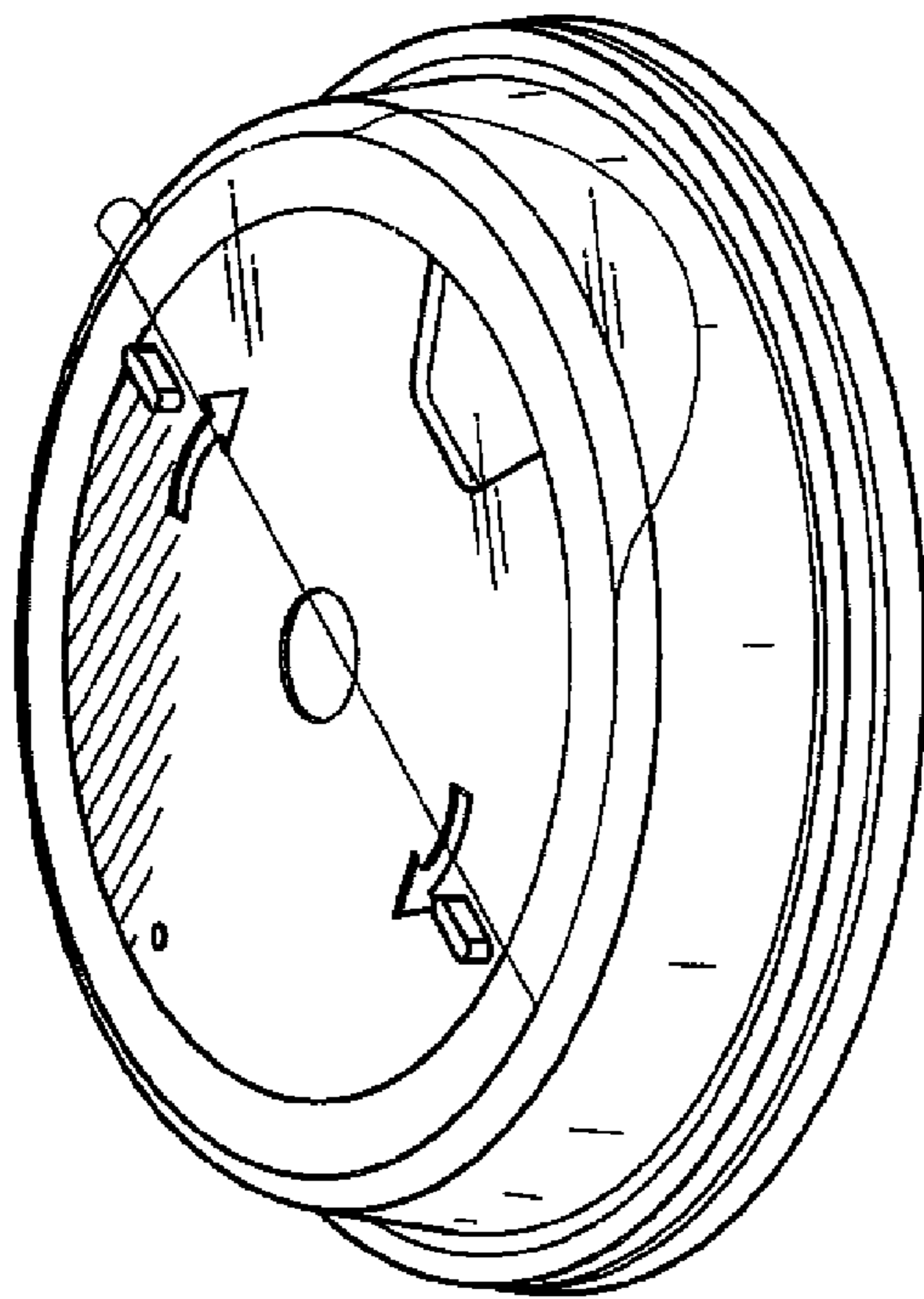


FIG. 1

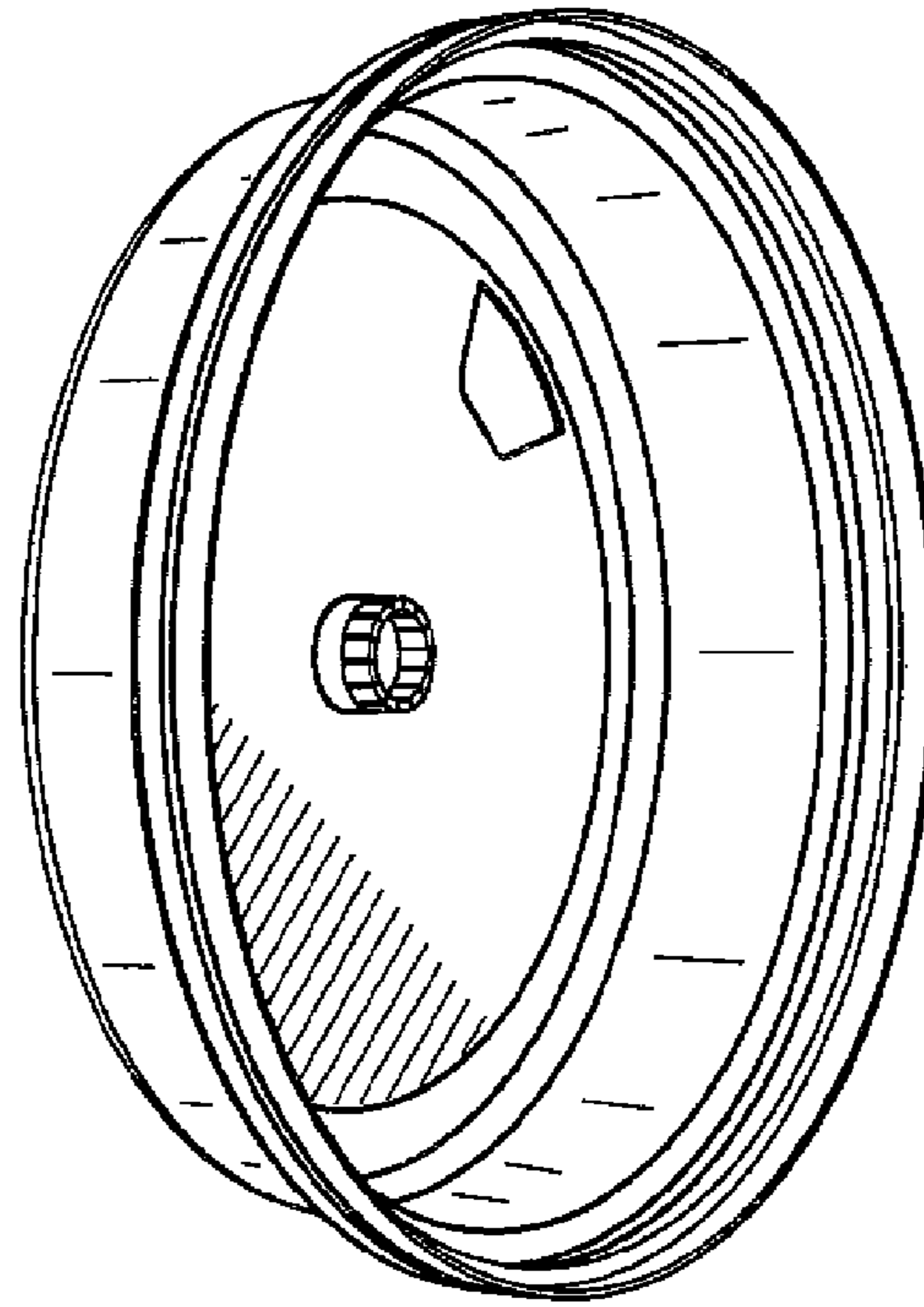


FIG. 2

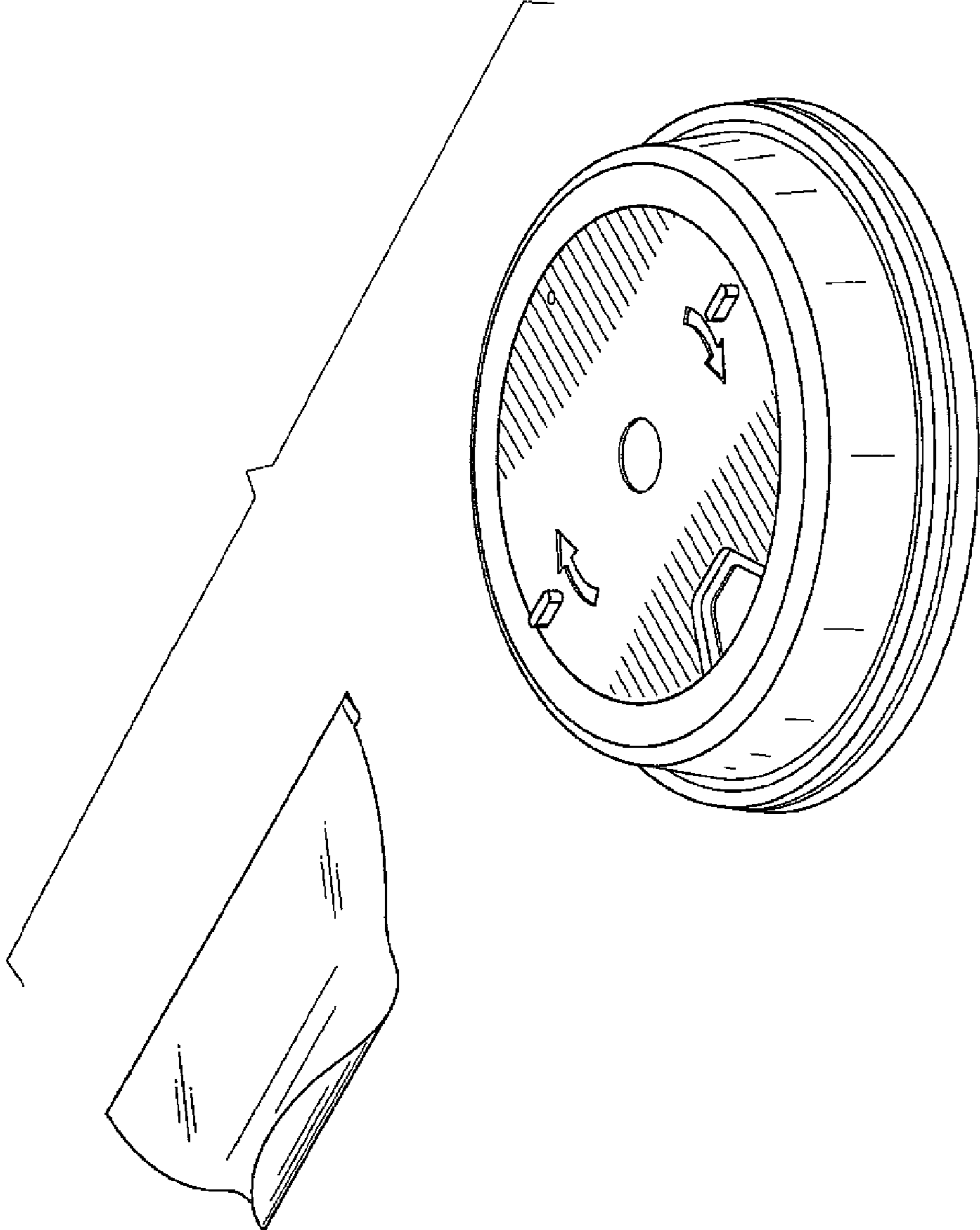


FIG. 3

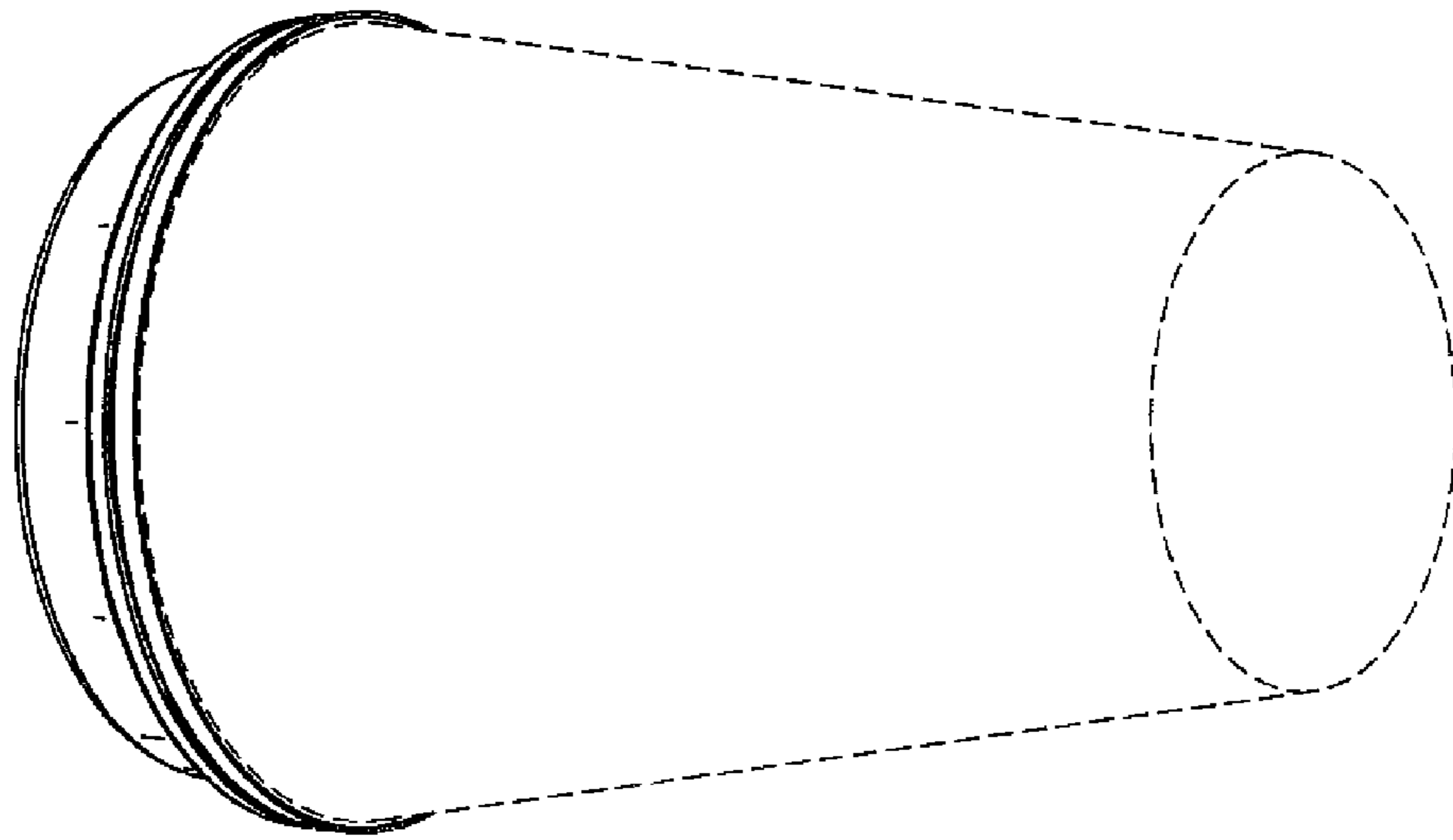


FIG. 5

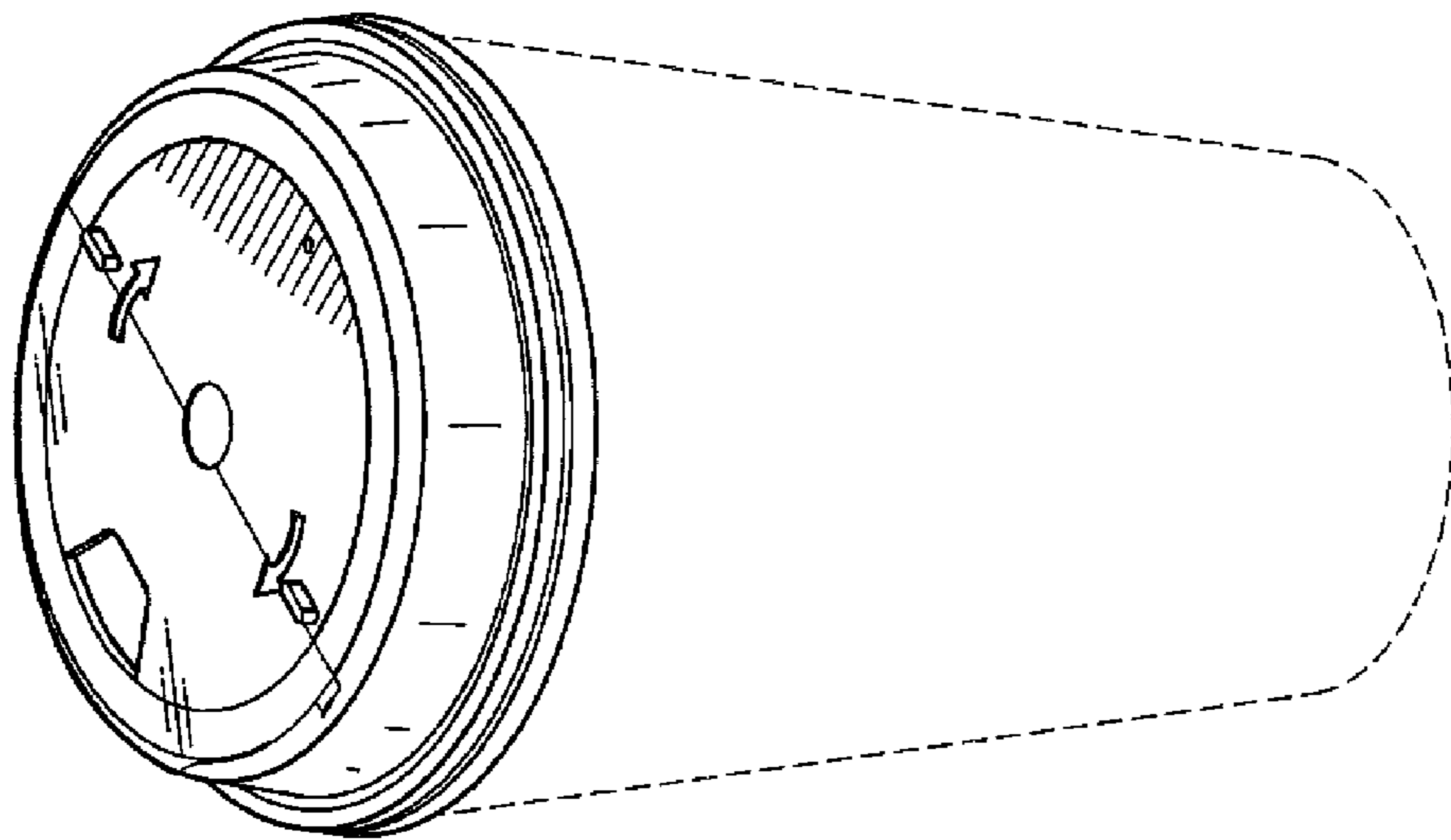
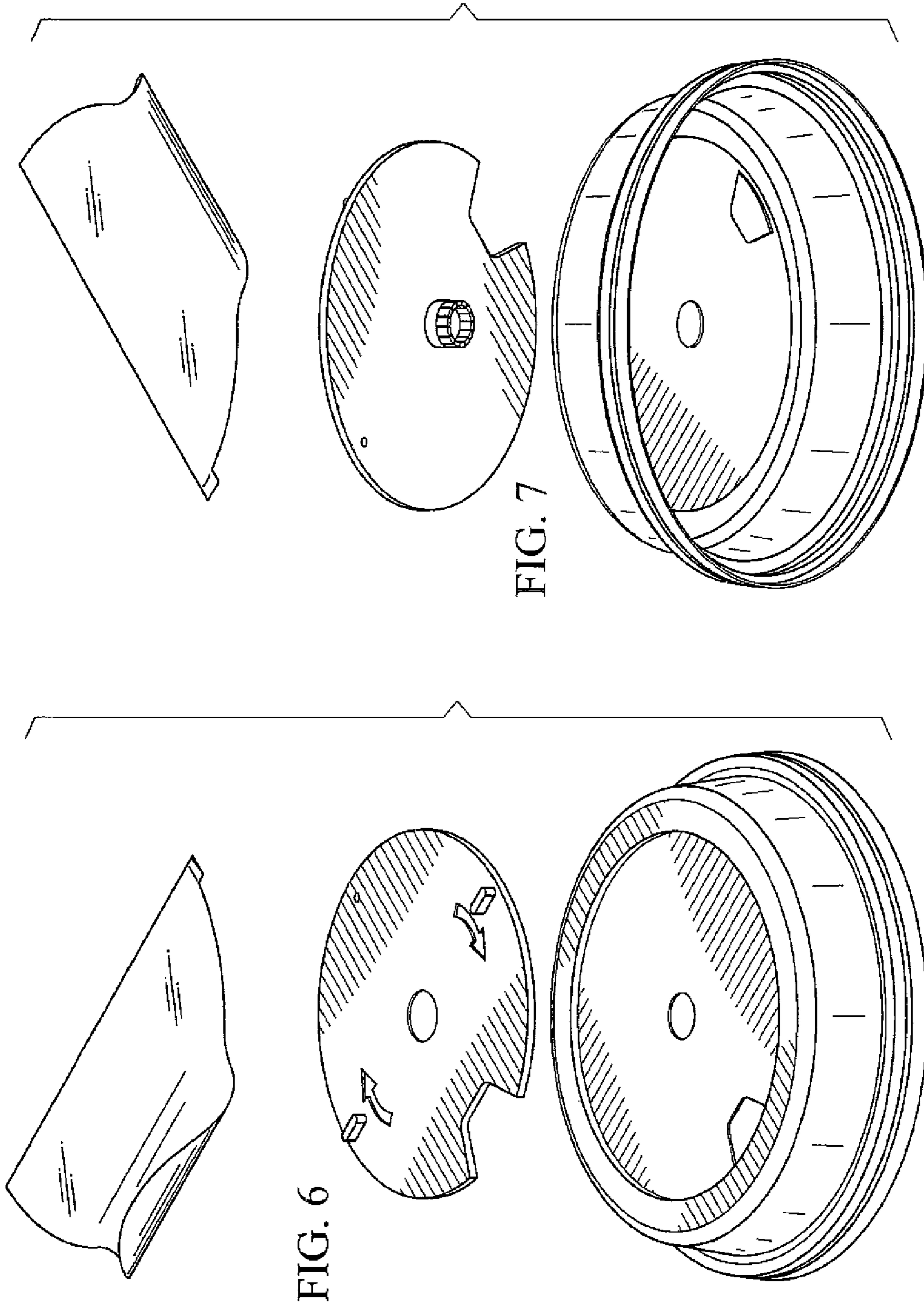


FIG. 4



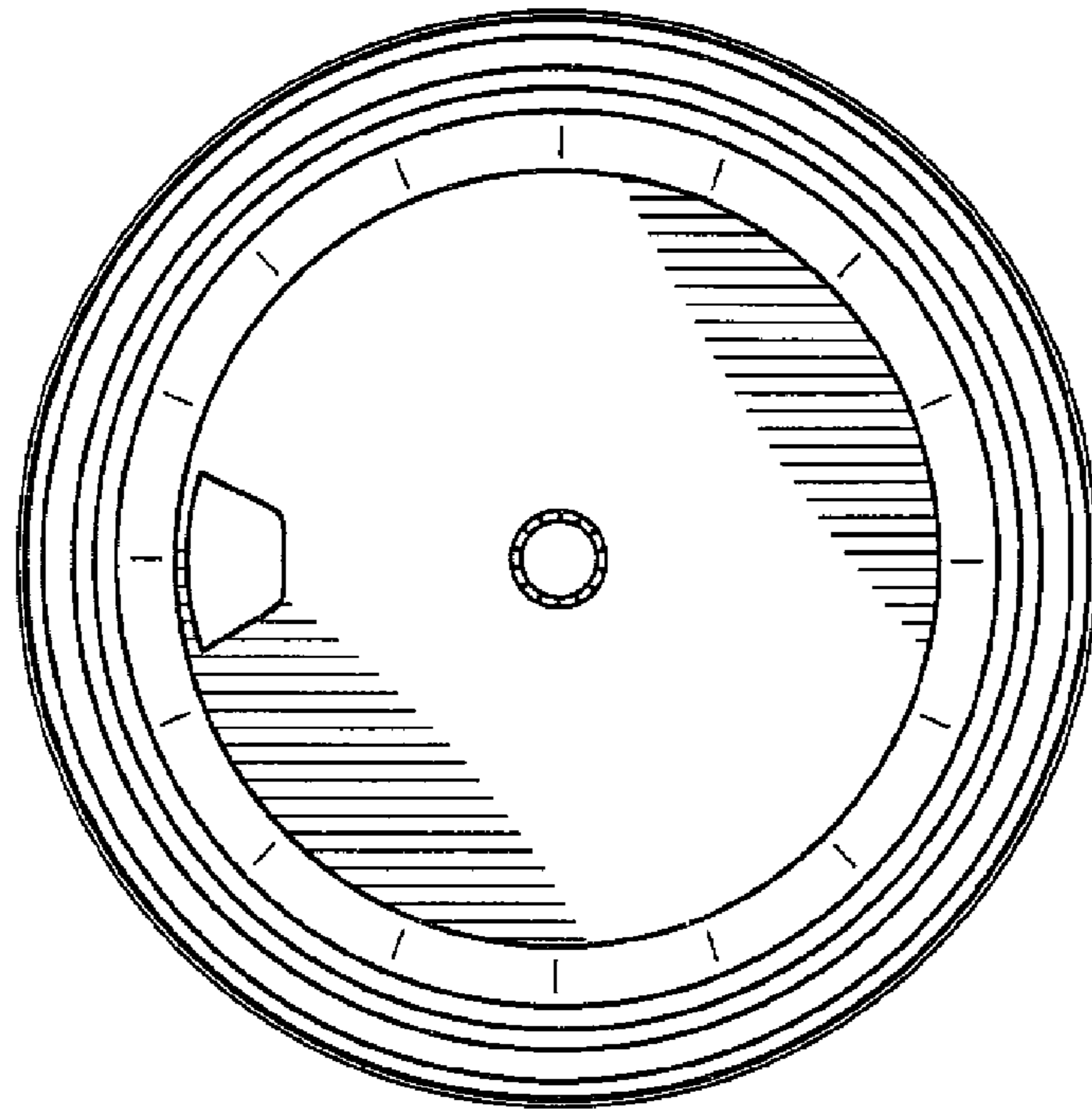


FIG. 9

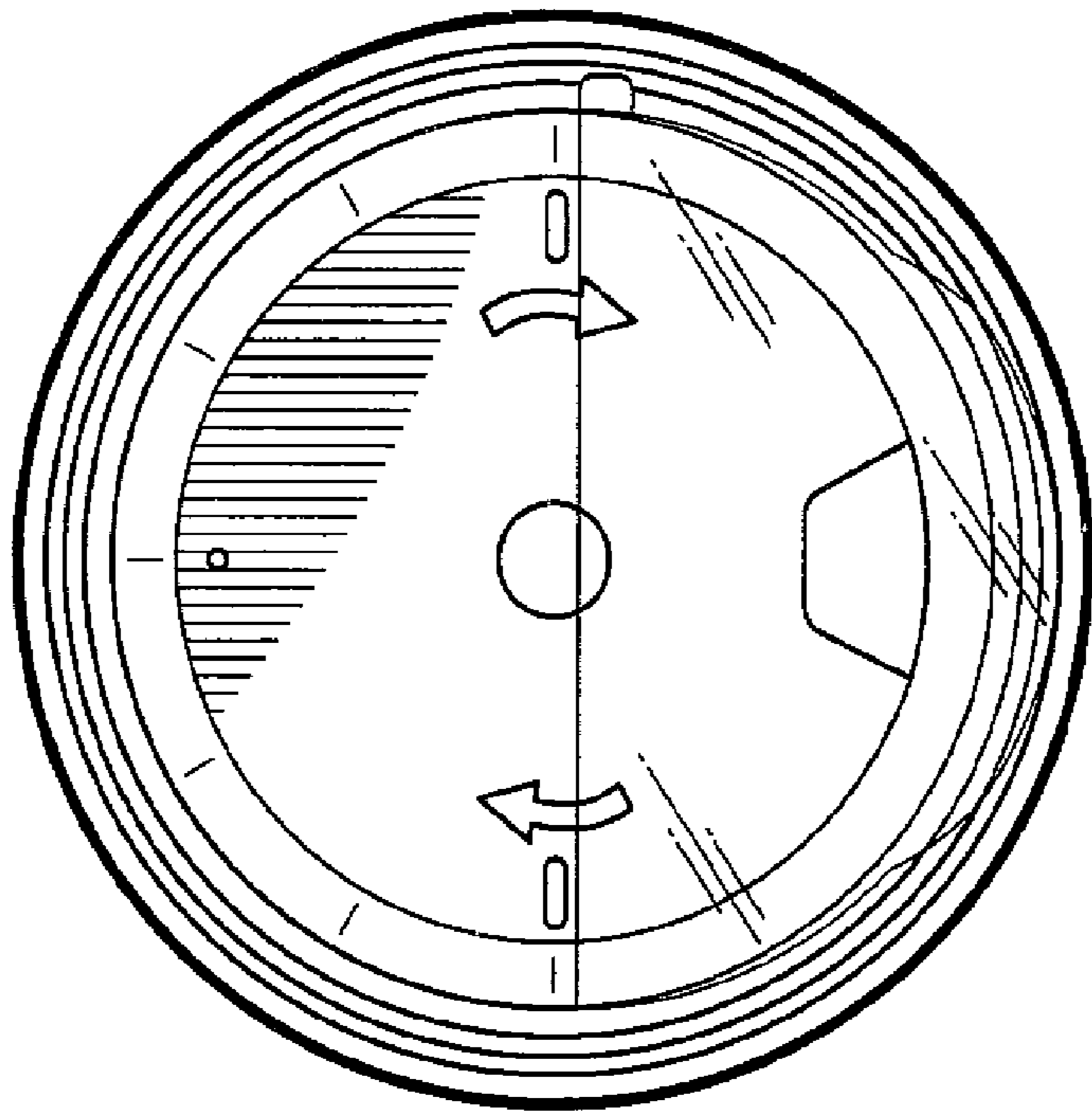


FIG. 8

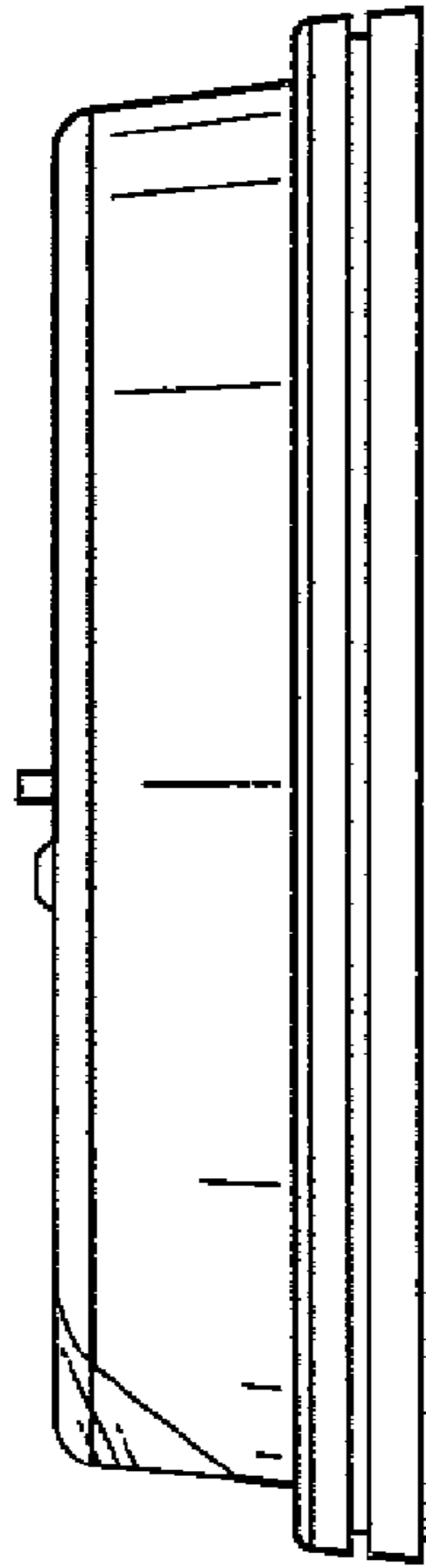


FIG. 10

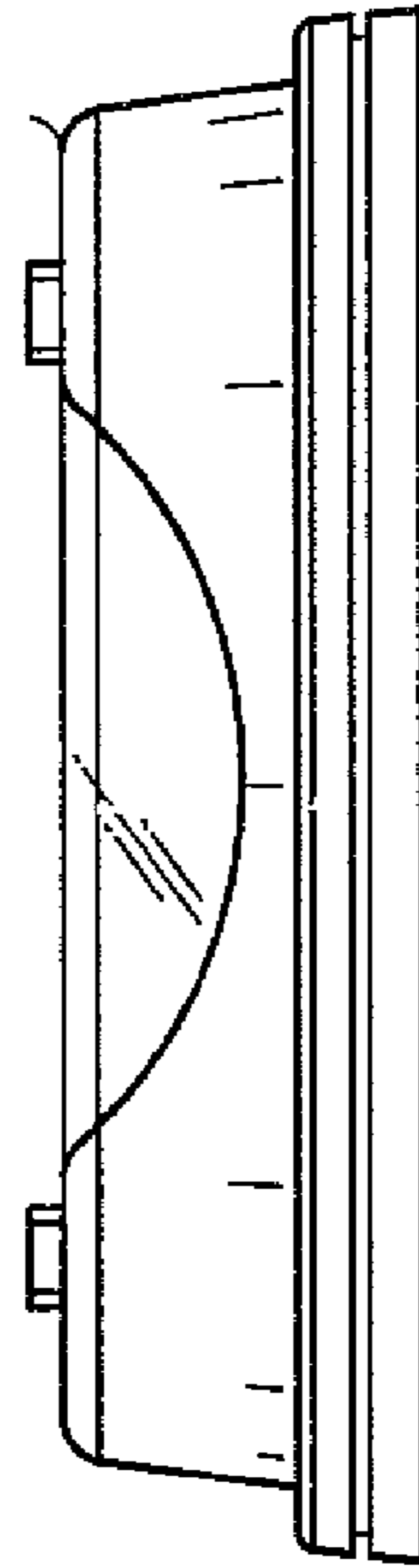


FIG. 11

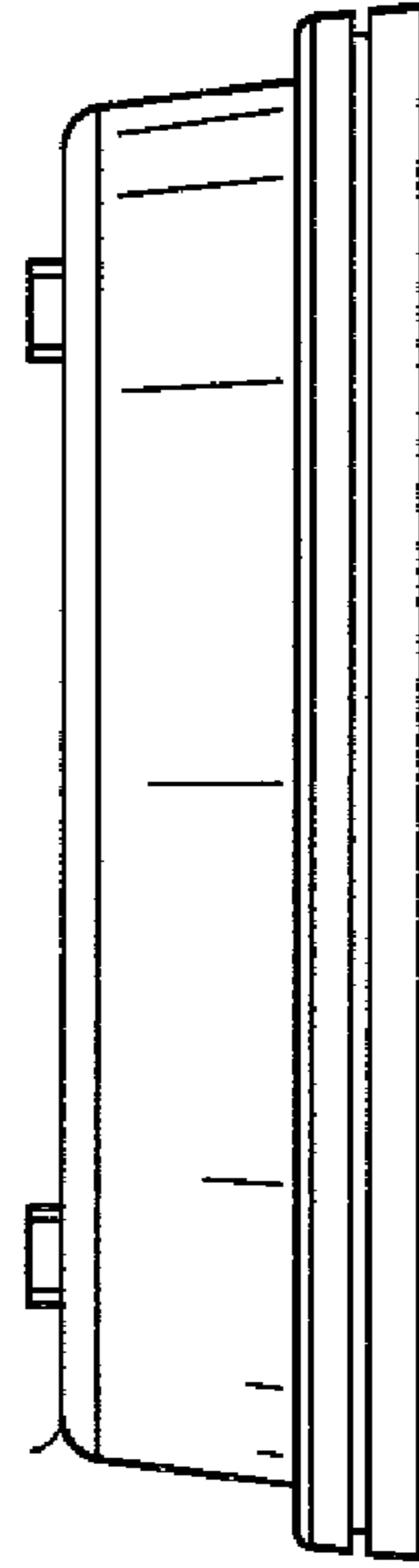


FIG. 12