



US00D700511S

(12) **United States Design Patent**
Agassi et al.

(10) **Patent No.:** **US D700,511 S**
(45) **Date of Patent:** **** *Mar. 4, 2014**

- (54) **SEALABLE POURER**
- (71) Applicant: **Agam Innovations, Ltd.**, Tel Aviv (IL)
- (72) Inventors: **Or Agassi**, Tel Aviv (IL); **Reuven Marko**, Netanya (IL)
- (73) Assignee: **AGAM Innovations Ltd.**, Tel Aviv (IL)
- (*) Notice: This patent is subject to a terminal disclaimer.
- (**) Term: **14 Years**
- (21) Appl. No.: **29/460,128**
- (22) Filed: **Jul. 8, 2013**

Related U.S. Application Data

- (62) Division of application No. 29/443,459, filed on Jan. 17, 2013, now Pat. No. Des. 688,127, which is a division of application No. 29/394,407, filed on Jun. 16, 2011, now Pat. No. Des. 678,768.
- (51) **LOC (10) Cl.** **09-07**
- (52) **U.S. Cl.**
USPC **D9/440; D9/447**
- (58) **Field of Classification Search**
USPC D7/387, 391, 392, 392.1, 397, 398, D7/515; D9/434, 440, 441, 446, 447, 450; 222/189.7, 190, 472, 478, 479, 481, 222/481.5, 484, 556, 567, 569; 220/711, 220/714, 717; 215/1, 21, 23, 25, 216, 245, 215/256, 316
See application file for complete search history.

References Cited

U.S. PATENT DOCUMENTS

- 2,112,125 A 3/1938 Von Bultzingslowen
- D158,624 S * 5/1950 Staab D9/440

- 2,642,207 A * 6/1953 Renzi 222/479
- D176,402 S * 12/1955 Biederman D9/447
- 3,235,133 A * 2/1966 Zimmerman et al. 222/478
- D217,330 S * 4/1970 Conry D9/440
- 3,630,419 A 12/1971 Pierce
- 3,750,915 A 8/1973 Kearney
- D229,826 S * 1/1974 Raptis D9/440
- 3,796,348 A 3/1974 Zipper
- 3,894,661 A 7/1975 Guala
- 3,966,099 A 6/1976 Sanford, Jr. et al.
- 4,010,875 A 3/1977 Babiol
- 4,105,141 A 8/1978 Lane et al.
- 4,171,749 A 10/1979 Aichinger et al.
- 4,217,988 A 8/1980 Curtis et al.

(Continued)

OTHER PUBLICATIONS

International Search Authority: "Written Opinion of the International Searching Authority" (PCT Rule 43bis.1) including International Search Report for International Patent Application No. PCT/IL 11/00783; Date of Mailing: May 4, 2012.

Primary Examiner — Susan E Krakower

(74) *Attorney, Agent, or Firm* — Myers Wolin, LLC

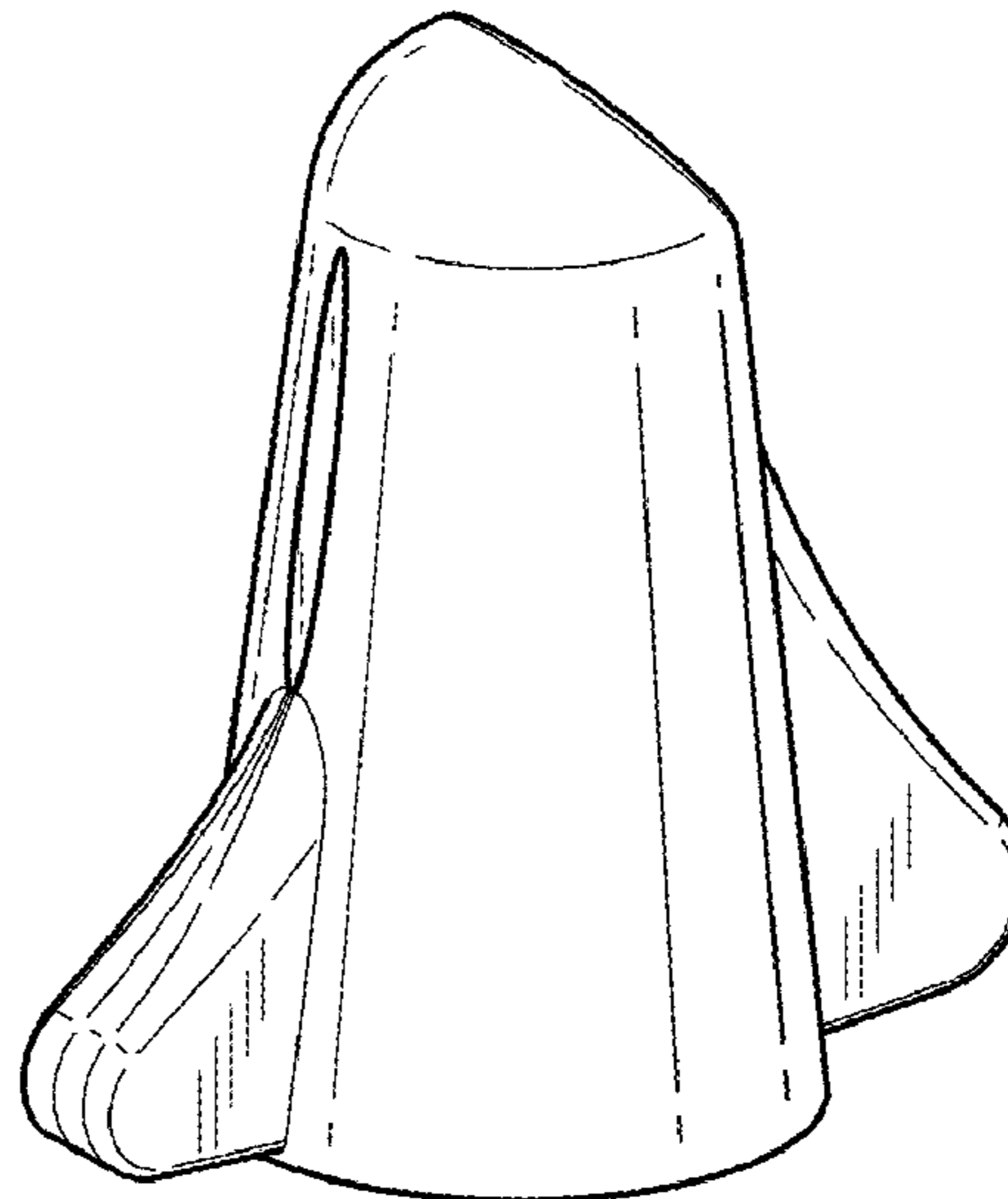
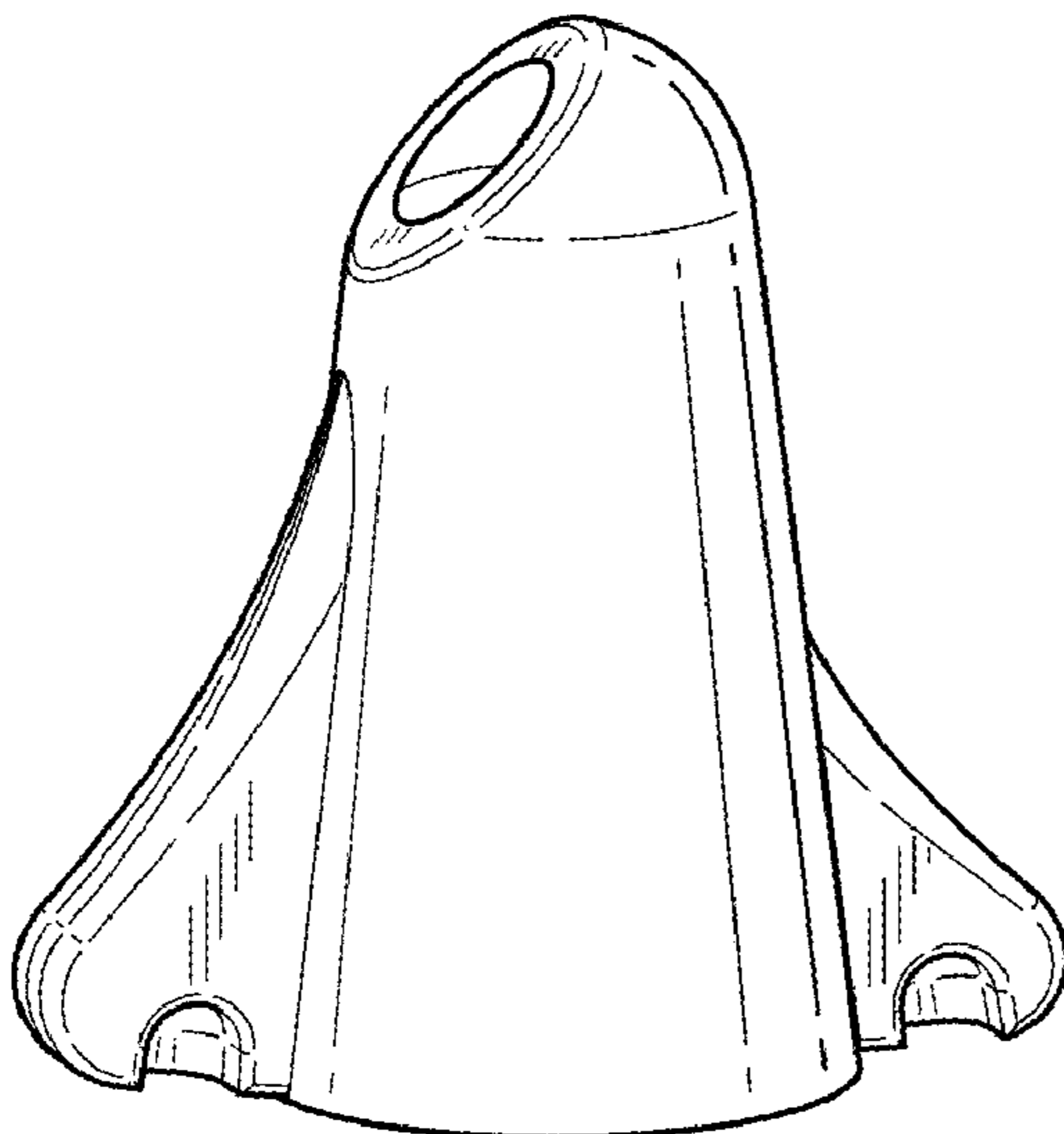
(57) **CLAIM**

We claim the ornamental design for a sealable pourer, as shown and described.

DESCRIPTION

FIG. 1 is a right side isometric view of one embodiment of cap for a sealable pourer showing our new design;
FIG. 2 is a left side isometric view thereof;
FIG. 3 is a front elevation view thereof;
FIG. 4 is a rear elevation view thereof;
FIG. 5 is a top view thereof;
FIG. 6 is a cross-section taken along line 6-6 in FIG. 3;
FIG. 7 is a cross-section taken along line 7-7 in FIG. 5; and,
FIG. 8 is a bottom view thereof.

1 Claim, 2 Drawing Sheets



(56)

References Cited

U.S. PATENT DOCUMENTS

4,261,484	A	4/1981	DaCosta et al.				
4,311,259	A	1/1982	Babiol				
4,384,662	A	5/1983	Boudin et al.				
4,427,138	A	1/1984	Heinlein				
4,497,422	A	2/1985	Klees				
D279,169	S *	6/1985	Banasik	D9/447			
4,523,687	A	6/1985	Hullihen				
4,597,513	A	7/1986	Schiemann				
D285,055	S	8/1986	Heubel				
D285,892	S	9/1986	Doyel				
4,736,871	A	4/1988	Luciani et al.				
4,756,435	A	7/1988	Schick et al.				
4,869,399	A	9/1989	Dubach				
4,884,705	A	12/1989	Debetencourt				
4,984,711	A	1/1991	Ellis				
5,020,690	A	6/1991	Kishikawa et al.				
5,044,530	A	9/1991	Stull				
5,072,861	A *	12/1991	Jou	222/481			
D326,818	S	6/1992	Maquire				
5,181,632	A	1/1993	Latter				
5,211,318	A	5/1993	Govatzidakis				
5,303,839	A	4/1994	Blumenschein				
5,303,850	A	4/1994	Connan				
5,346,099	A	9/1994	Salmon et al.				
5,462,201	A	10/1995	Wilkins				
5,713,491	A	2/1998	Hughes et al.				
5,785,209	A	7/1998	Guglielmini				
5,799,836	A	9/1998	Lee				
5,823,383	A	10/1998	Hins				
5,961,008	A	10/1999	Peckels				
D418,417	S	1/2000	Hollinger				
6,016,935	A	1/2000	Huegerich et al.				
6,085,949	A	7/2000	Zimny et al.				
6,123,225	A	9/2000	Peckels				
6,138,849	A	10/2000	Roemer et al.				
6,149,022	A	11/2000	Akyildiz et al.				
6,315,160	B1	11/2001	Gaiser et al.				
6,409,054	B1	6/2002	Garibaldi				
6,488,186	B2	12/2002	Gaiser et al.				
D468,205	S	1/2003	Pierce				
D470,052	S *	2/2003	Klutts	D9/447			
6,568,660	B1	5/2003	Flanbaum				
D484,801	S	1/2004	Pierce				
6,742,678	B1	6/2004	Krystopik, Jr.				
D501,359	S	2/2005	Bodum				
6,851,584	B2	2/2005	White				
6,851,586	B2	2/2005	Odet				
6,883,689	B2	4/2005	Odet				
6,892,905	B2	5/2005	Cousseau				
D513,180	S	12/2005	Lindsey et al.				
D529,799	S	10/2006	Jensen				
D533,776	S	12/2006	Allen et al.				
7,237,692	B2	7/2007	Bodum				
D551,075	S *	9/2007	Puller	D9/447			
7,300,580	B2	11/2007	Lindsey et al.				
7,407,067	B2	8/2008	Kerkhof et al.				
D577,997	S	10/2008	Pan				
D587,524	S	3/2009	Allen et al.				
D587,571	S	3/2009	Gonzales, Jr.				
D591,594	S	5/2009	Jalet				
7,527,180	B2	5/2009	Allen et al.				
7,549,559	B2 *	6/2009	Conroy et al.	222/556			
7,622,039	B2	11/2009	Farrell et al.				
D605,037	S *	12/2009	Schrimpf	D9/447			
7,658,306	B2 *	2/2010	Allen et al.	222/481.5			
D633,753	S	3/2011	White				
D639,421	S	6/2011	Sano et al.				
D652,251	S	1/2012	Goralski et al.				
8,245,882	B1	8/2012	Federighi				
D678,768	S *	3/2013	Agassi et al.	D9/440			
D688,127	S *	8/2013	Agassi et al.	D9/440			
2005/0194410	A1 *	9/2005	Pham	222/569			
2006/0000855	A1	1/2006	Allen et al.				
2008/0017675	A1	1/2008	Pressey				
2008/0073383	A1	3/2008	McDonald				
2008/0099514	A1 *	5/2008	Carter et al.	222/472			
2008/0237178	A1	10/2008	Ochoa et al.				
2008/0272147	A1 *	11/2008	Buker et al.	222/113			
2010/0006590	A1	1/2010	Withoos et al.				
2010/0038378	A1 *	2/2010	Gabler et al.	222/23			
2010/0091605	A1	4/2010	Rasmussen et al.				
2011/0024383	A1	2/2011	McKenna et al.				
2012/0085790	A1 *	4/2012	Agassi et al.	222/479			

* cited by examiner

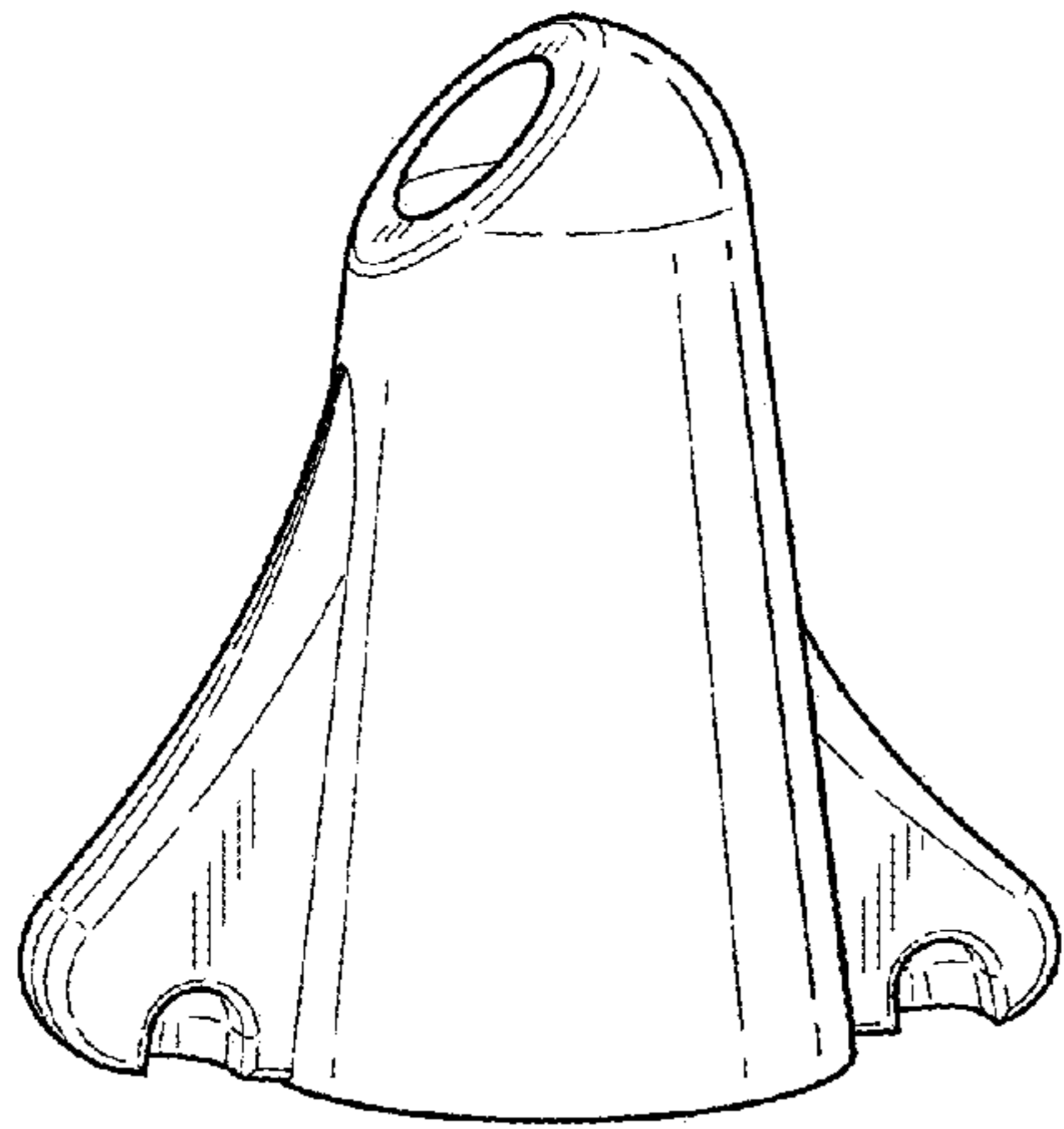


FIG. 1

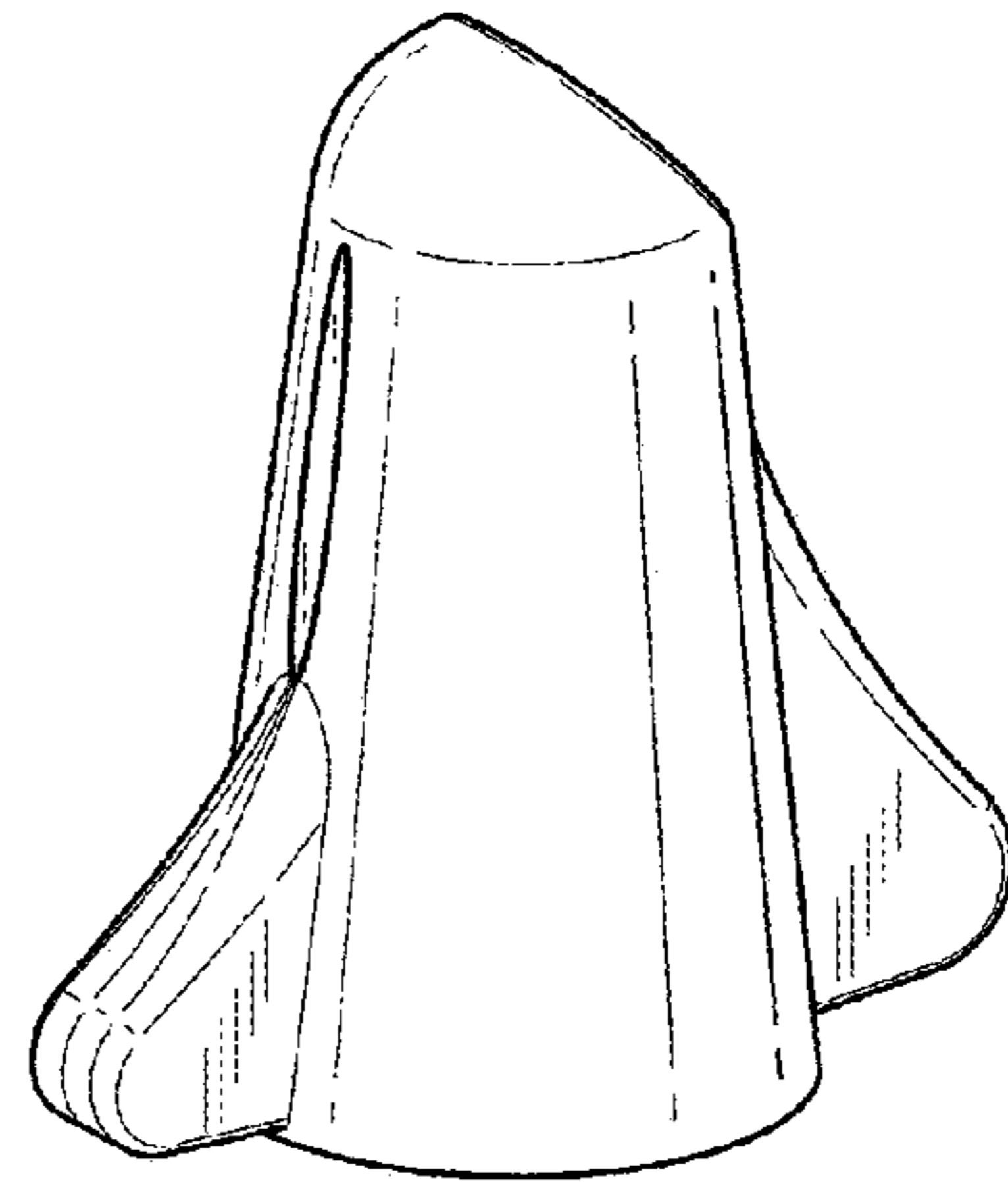


FIG. 2

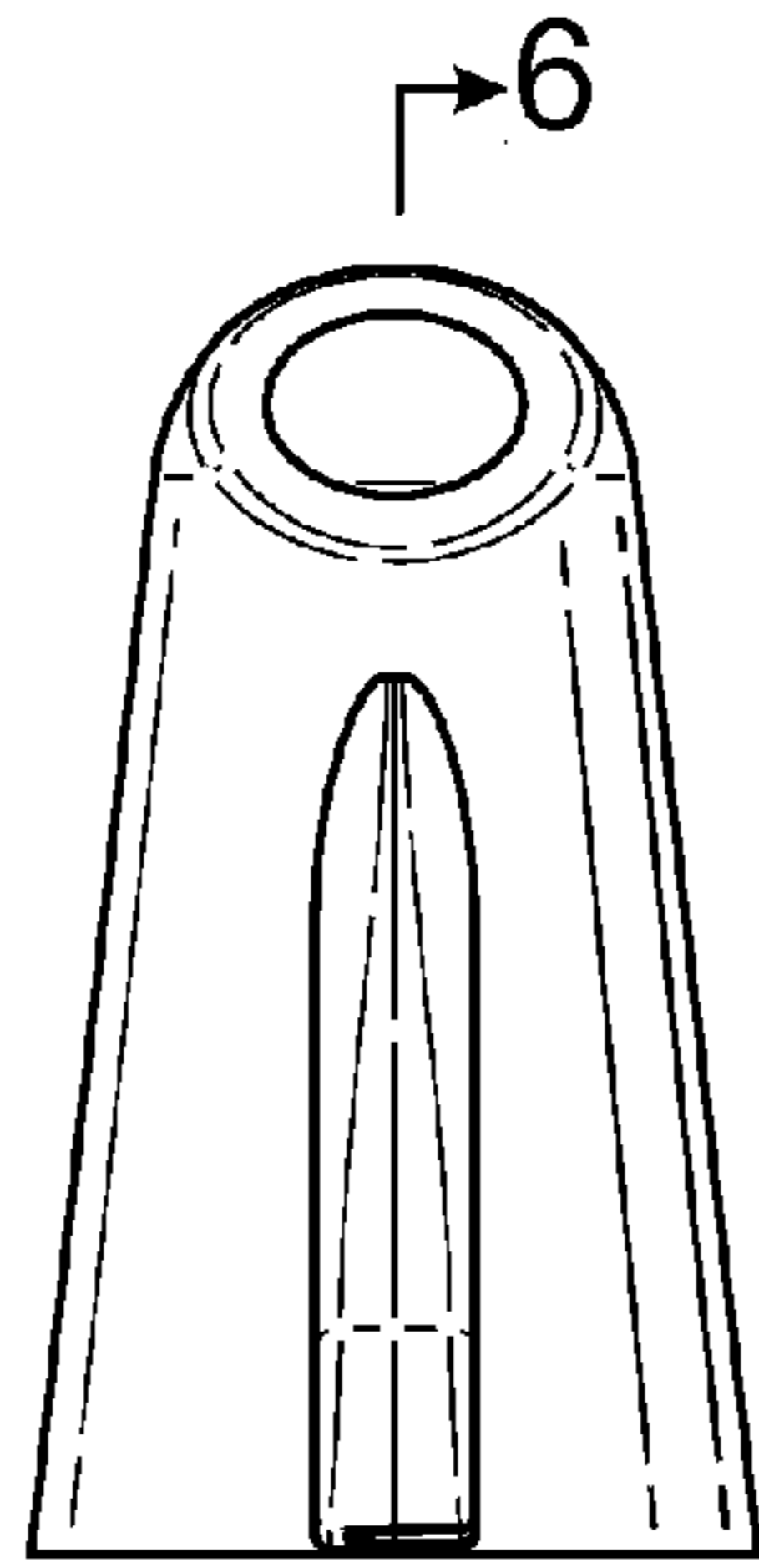


FIG. 3

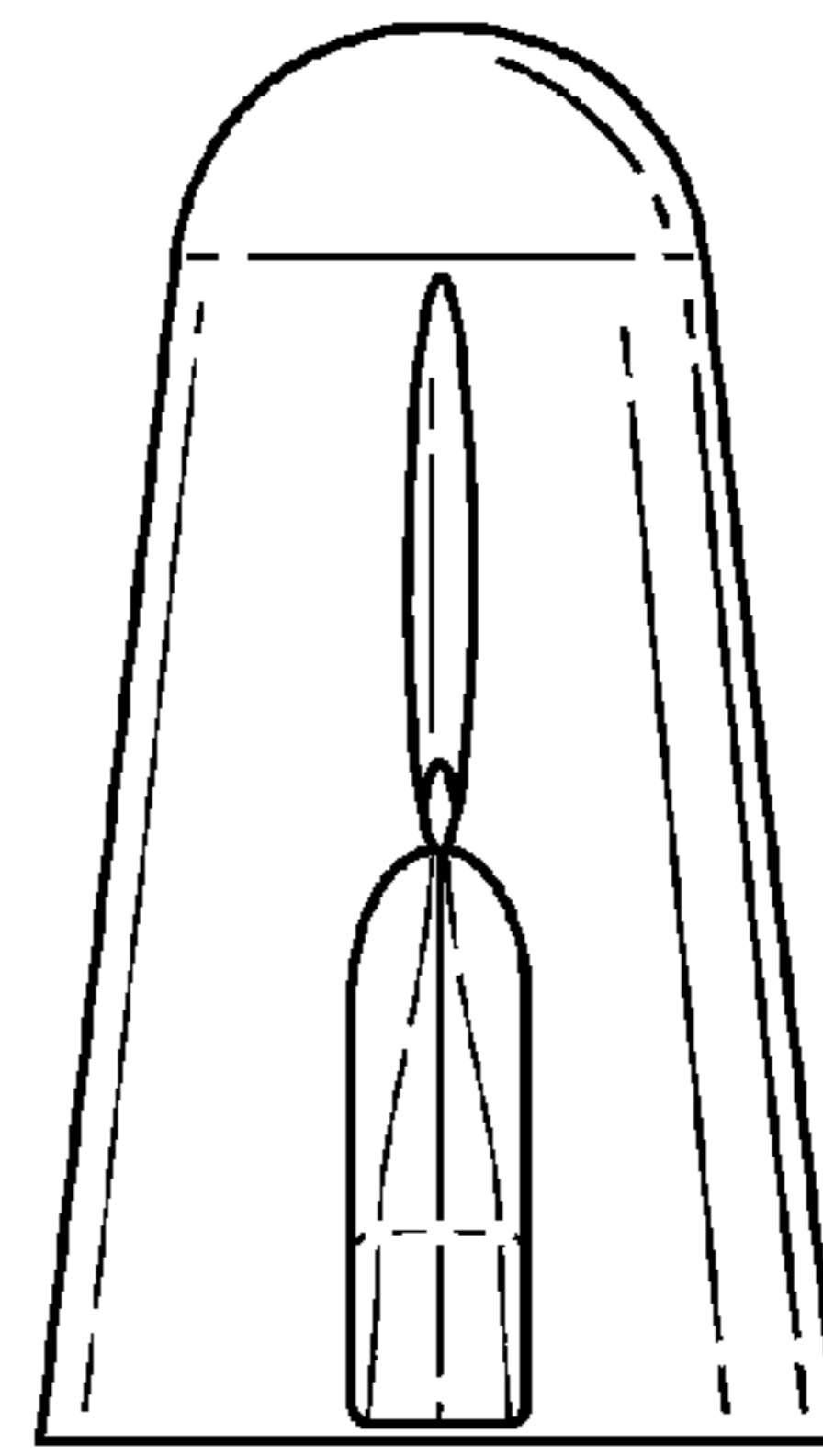


FIG. 4

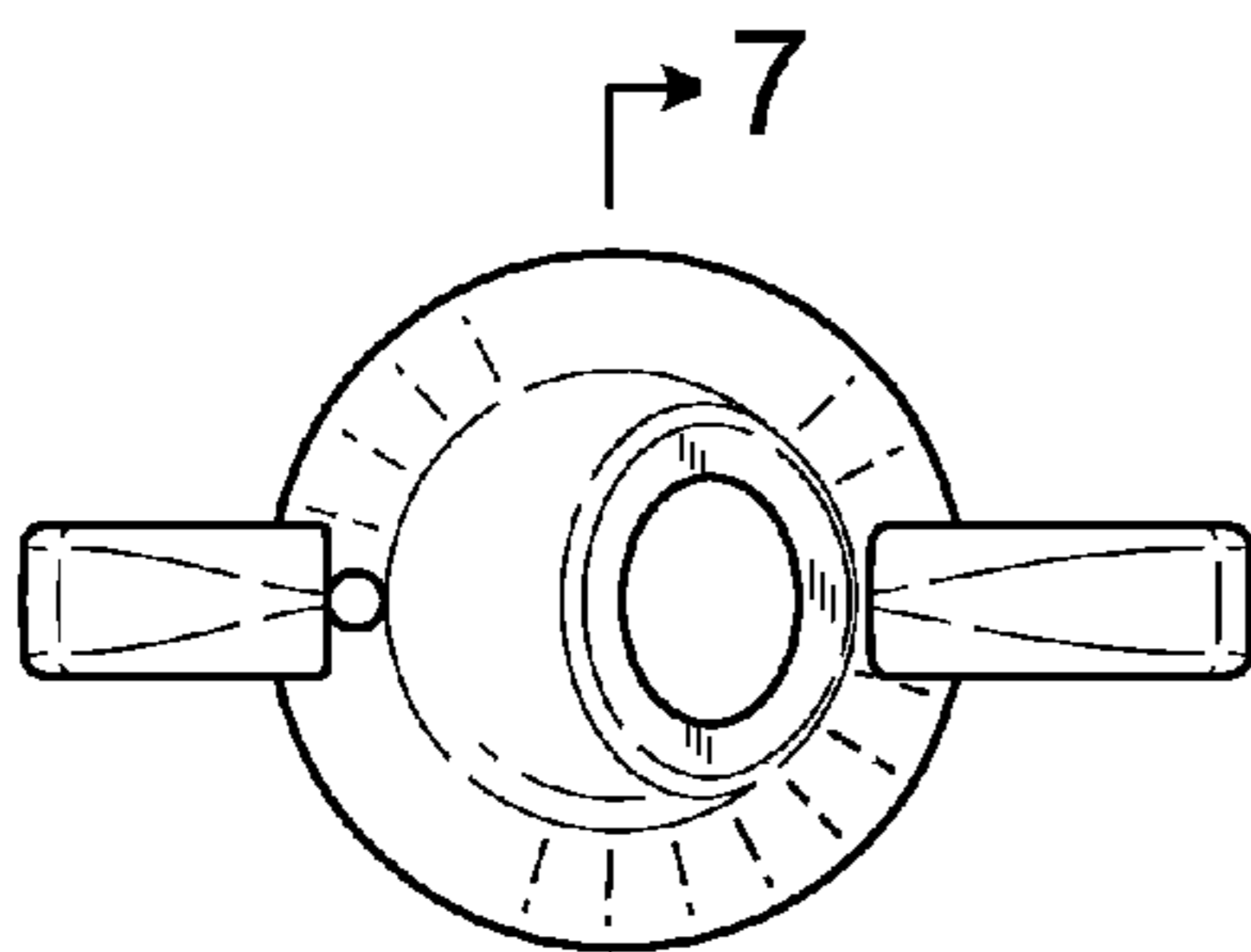


FIG. 5

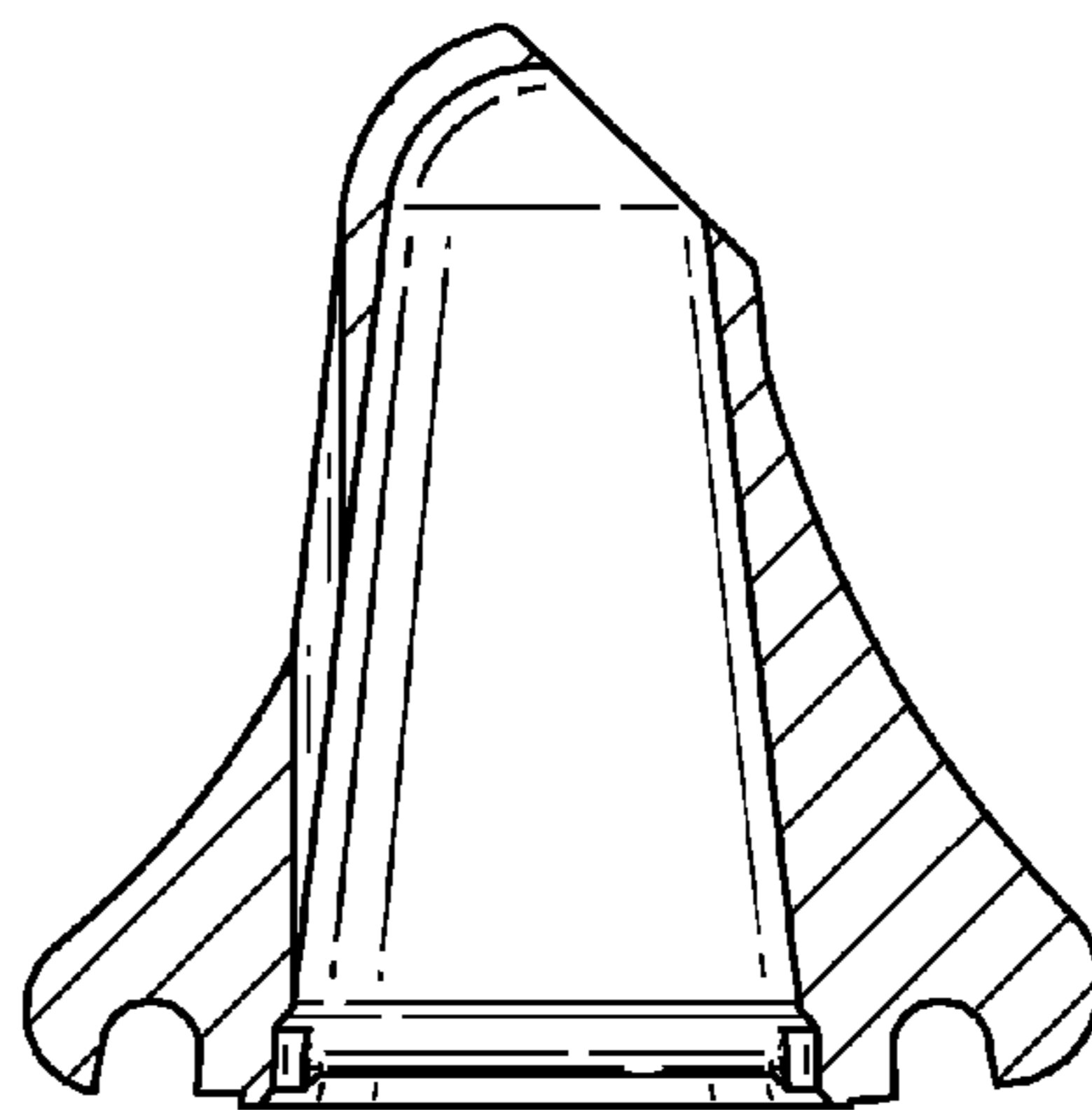


FIG. 6

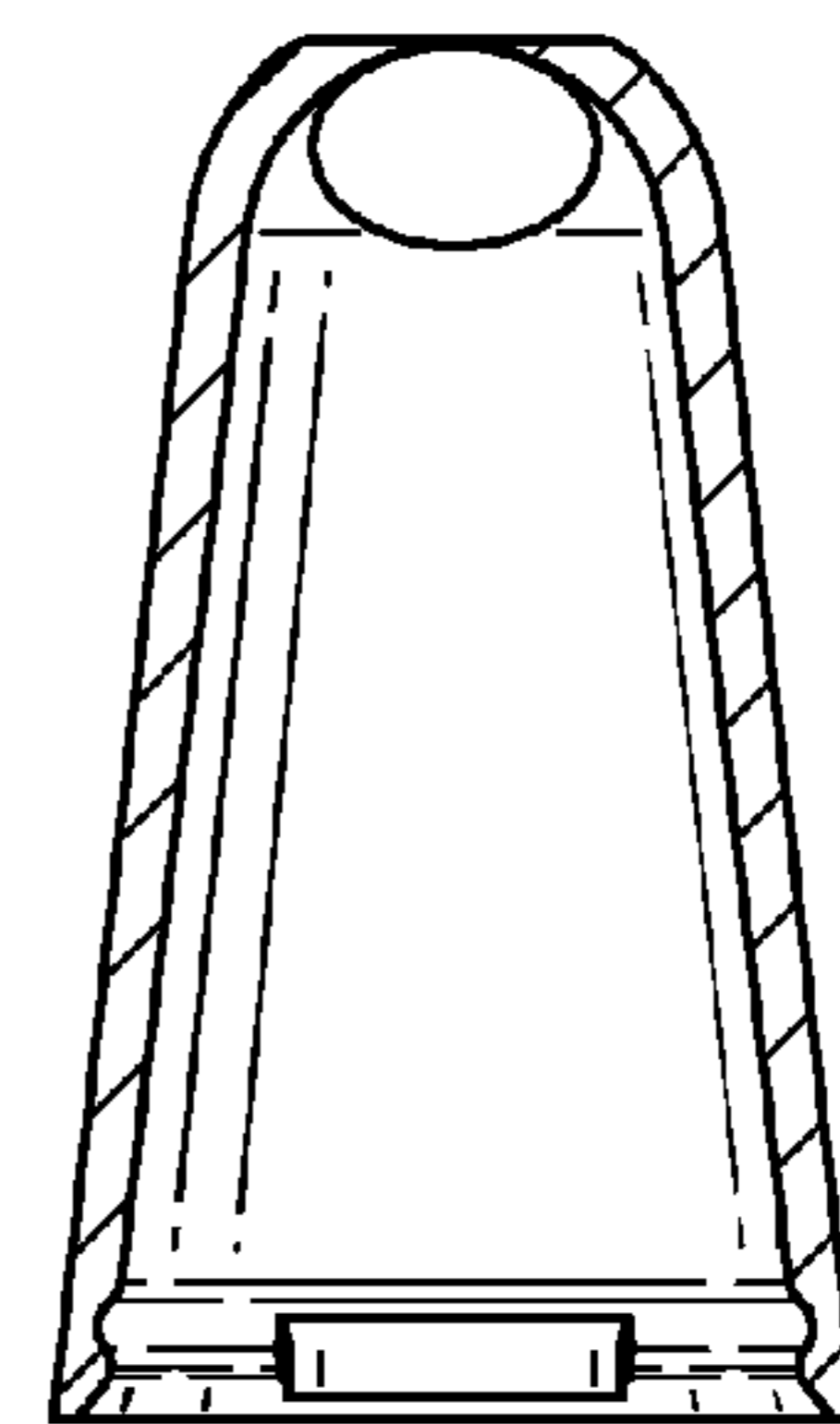


FIG. 7

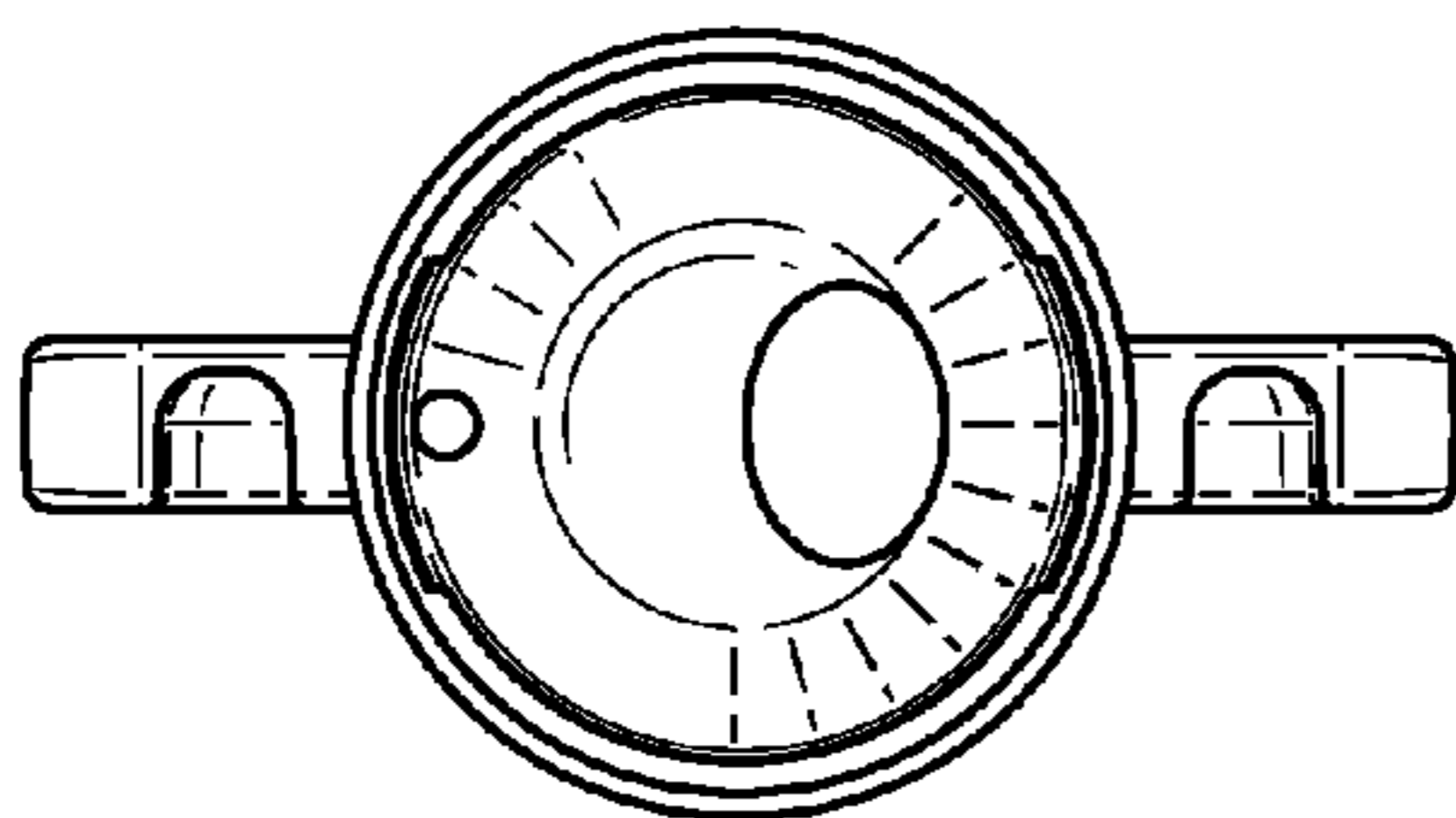


FIG. 8