



US00D700509S

(12) **United States Design Patent**
Shirley et al.

(10) **Patent No.:** **US D700,509 S**
(45) **Date of Patent:** **** Mar. 4, 2014**

(54) **DUAL COMPARTMENT CONTAINER WITH LID**

(71) Applicant: **Dart Industries Inc.**, Orlando, FL (US)

(72) Inventors: **Nathan E. Shirley**, Orlando, FL (US);
Jan-Hendrik de Groote, Brussels (BE)

(73) Assignee: **Dart Industries Inc.**, Orlando, FL (US)

(**) Term: **14 Years**

(21) Appl. No.: **29/462,110**

(22) Filed: **Jul. 31, 2013**

(51) **LOC (10) Cl.** **09-03**

(52) **U.S. Cl.**
USPC **D9/424**

(58) **Field of Classification Search**
USPC D9/414, 420, 422, 424, 425, 737, 761;
D3/203.3; D7/546, 500, 553.6, 553.5,
D7/555, 554.2, 586, 587, 601, 602;
206/261, 263, 561, 562; 220/675, 669,
220/810

See application file for complete search history.

(56) **References Cited**

U.S. PATENT DOCUMENTS

3,391,816 A 7/1968 Swett
D224,554 S 8/1972 Swett
D224,662 S 8/1972 Swett
4,216,862 A 8/1980 Daenen
D259,167 S 5/1981 Daenen
D276,201 S 11/1984 Wolff

D291,042 S 7/1987 Fahey et al.
D301,192 S 5/1989 DeCoster
D336,217 S 6/1993 Picozza
5,337,913 A 8/1994 Fukuda
D372,173 S 7/1996 Fukuda et al.
D442,484 S * 5/2001 Maxwell et al. D9/761
D444,034 S 6/2001 Miller et al.
D530,982 S * 10/2006 Faktorovich D7/549
D625,994 S * 10/2010 Krupa D9/424
D636,219 S 4/2011 Cornu et al.
D669,319 S * 10/2012 Bagley D7/629
2010/0282636 A1* 11/2010 Roberts et al. 206/561

* cited by examiner

Primary Examiner — Derrick Holland

Assistant Examiner — Lauren Calve

(74) *Attorney, Agent, or Firm* — Taylor J. Ross

(57) **CLAIM**

The ornamental design for a dual compartment container with lid, as shown and described.

DESCRIPTION

FIG. 1 is a top, right side and rear perspective view of a dual compartment container with lid showing our new design; FIG. 2 is a bottom, right side and front perspective view thereof;

FIG. 3 is a top plan view thereof;

FIG. 4 is a bottom plan view thereof;

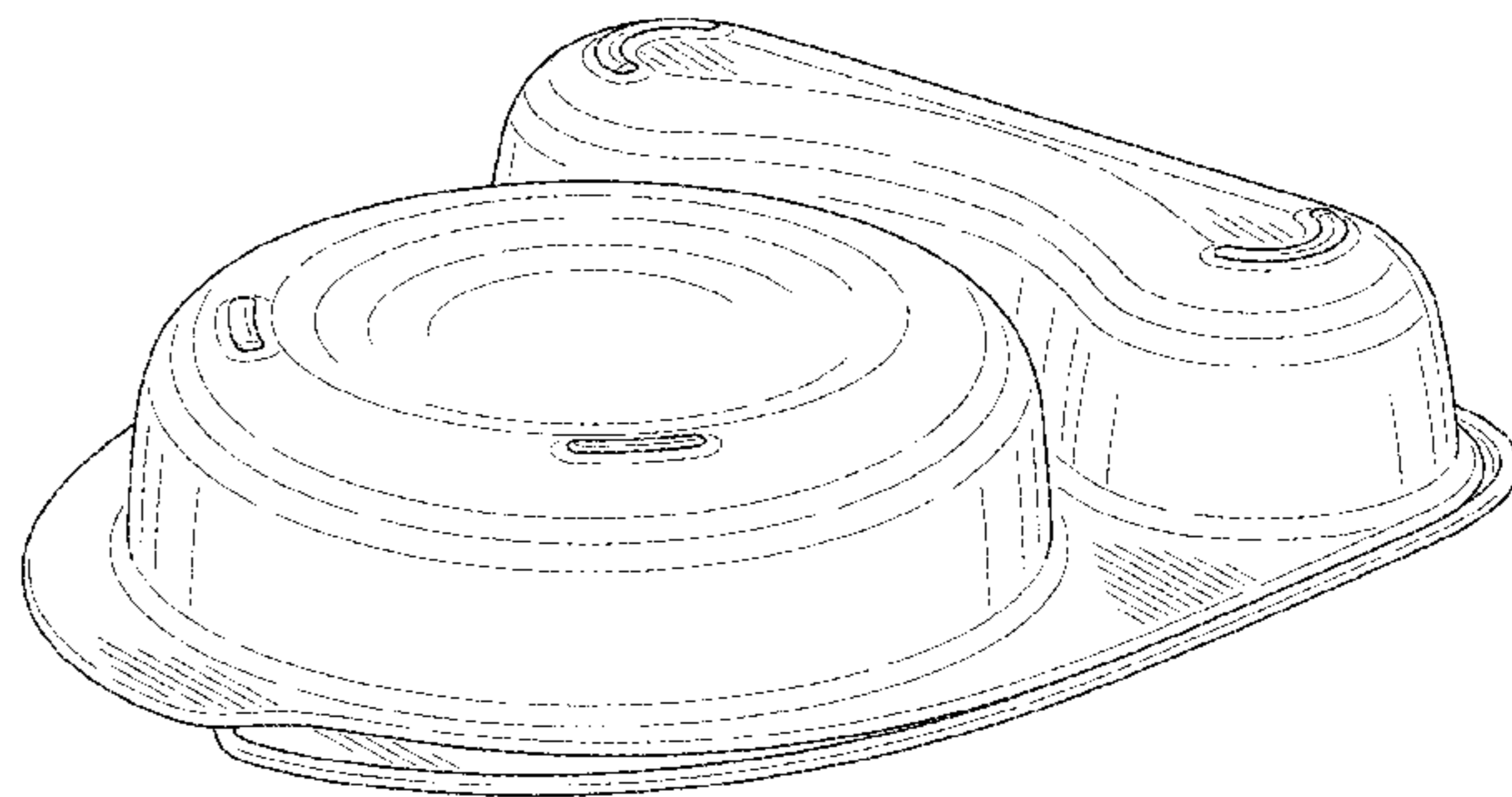
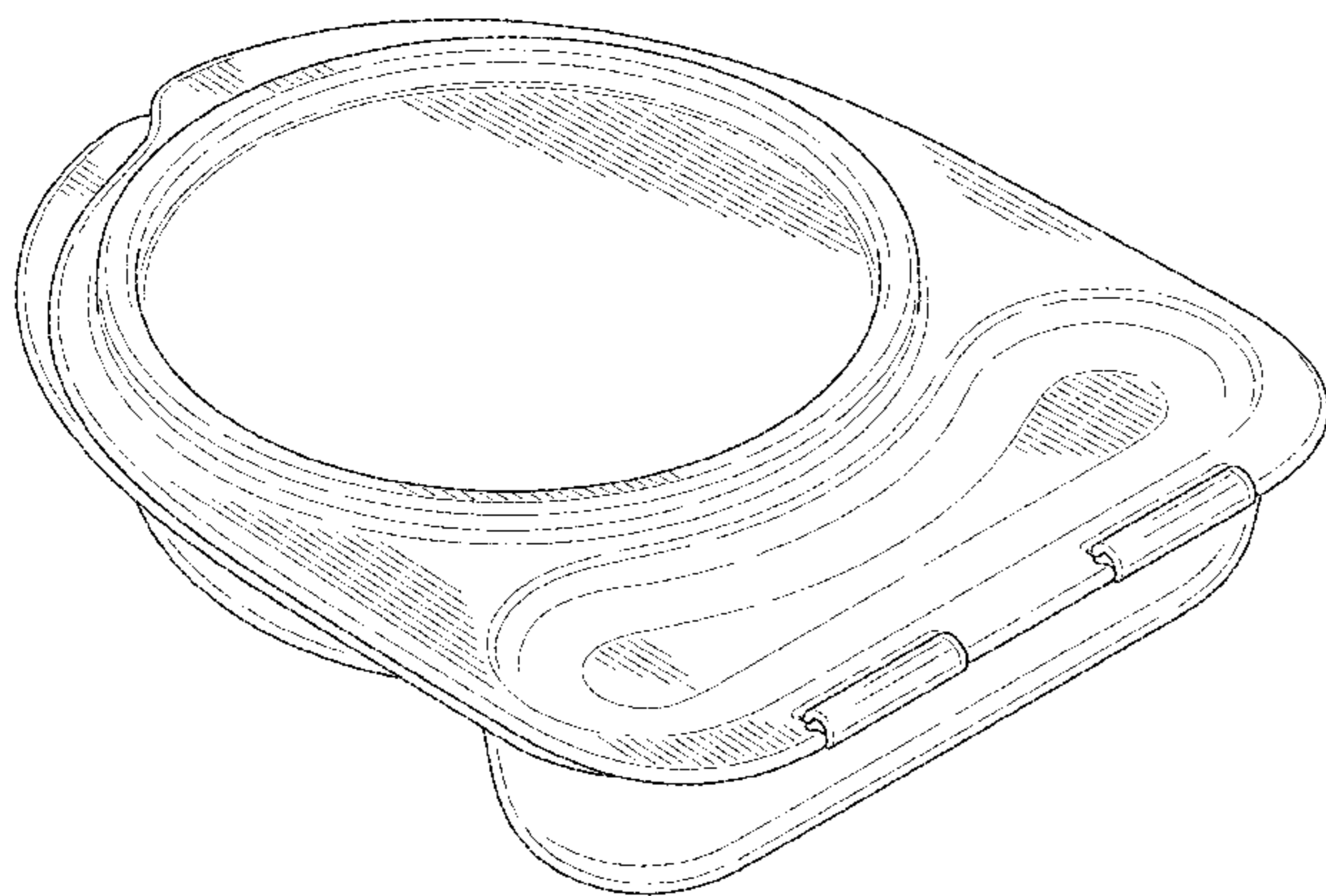
FIG. 5 is a front elevation view thereof;

FIG. 6 is a rear elevation view thereof;

FIG. 7 is a left side elevation view, the right side elevation being a mirror image thereof; and,

FIG. 8 is a cross-sectional view taken along line 8-8 of FIG. 3.

1 Claim, 4 Drawing Sheets



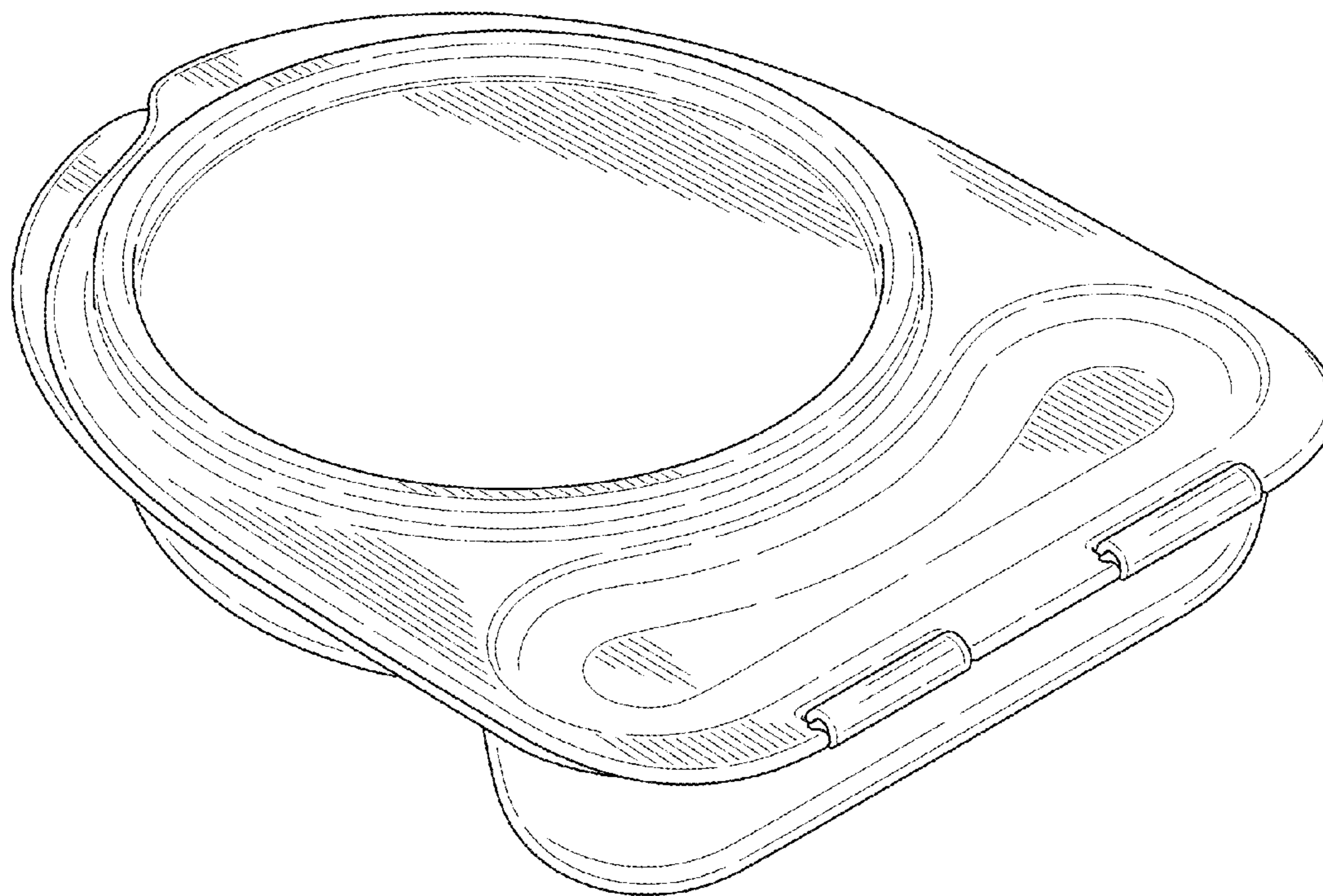


FIG. 1

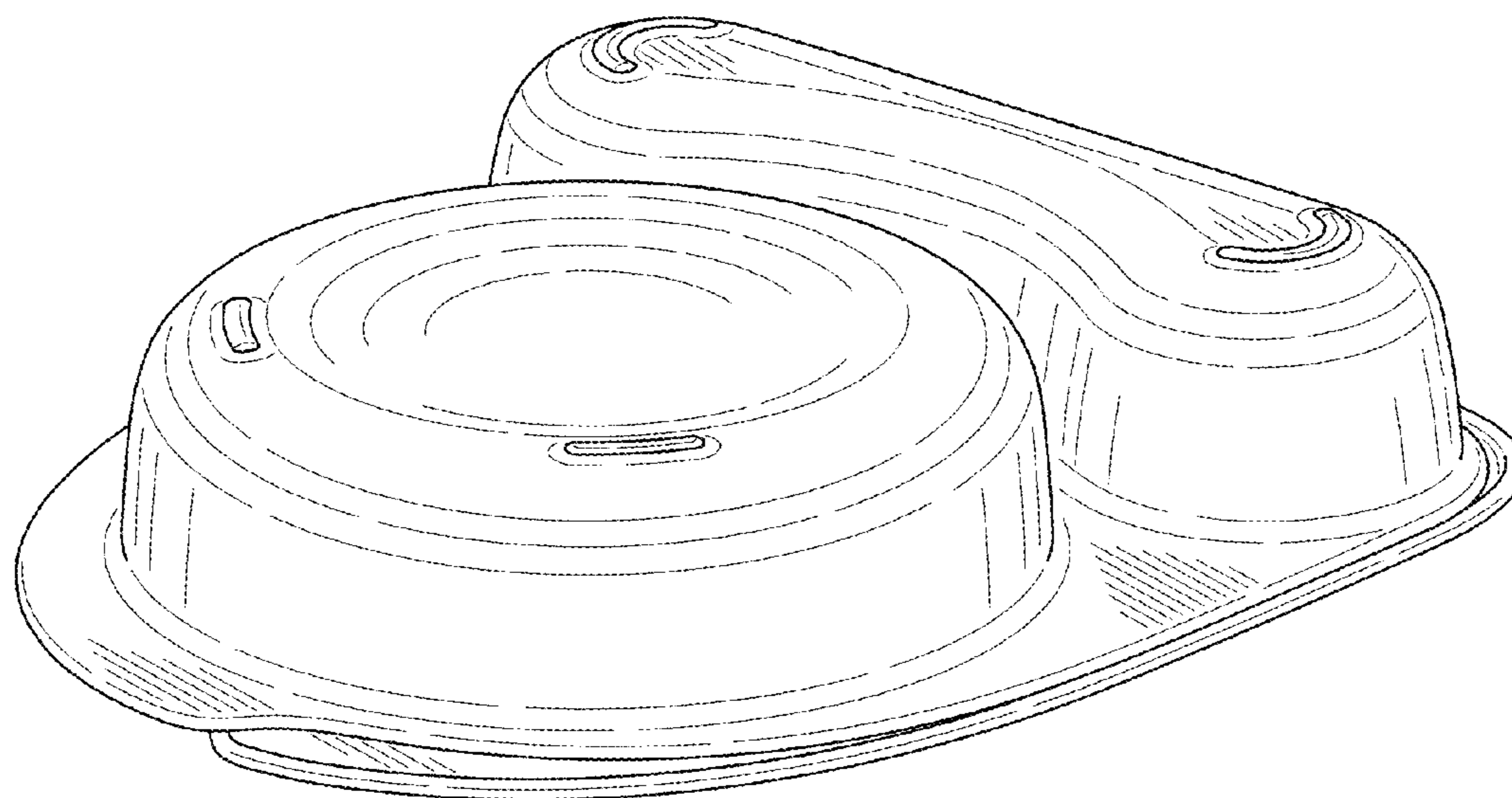


FIG. 2

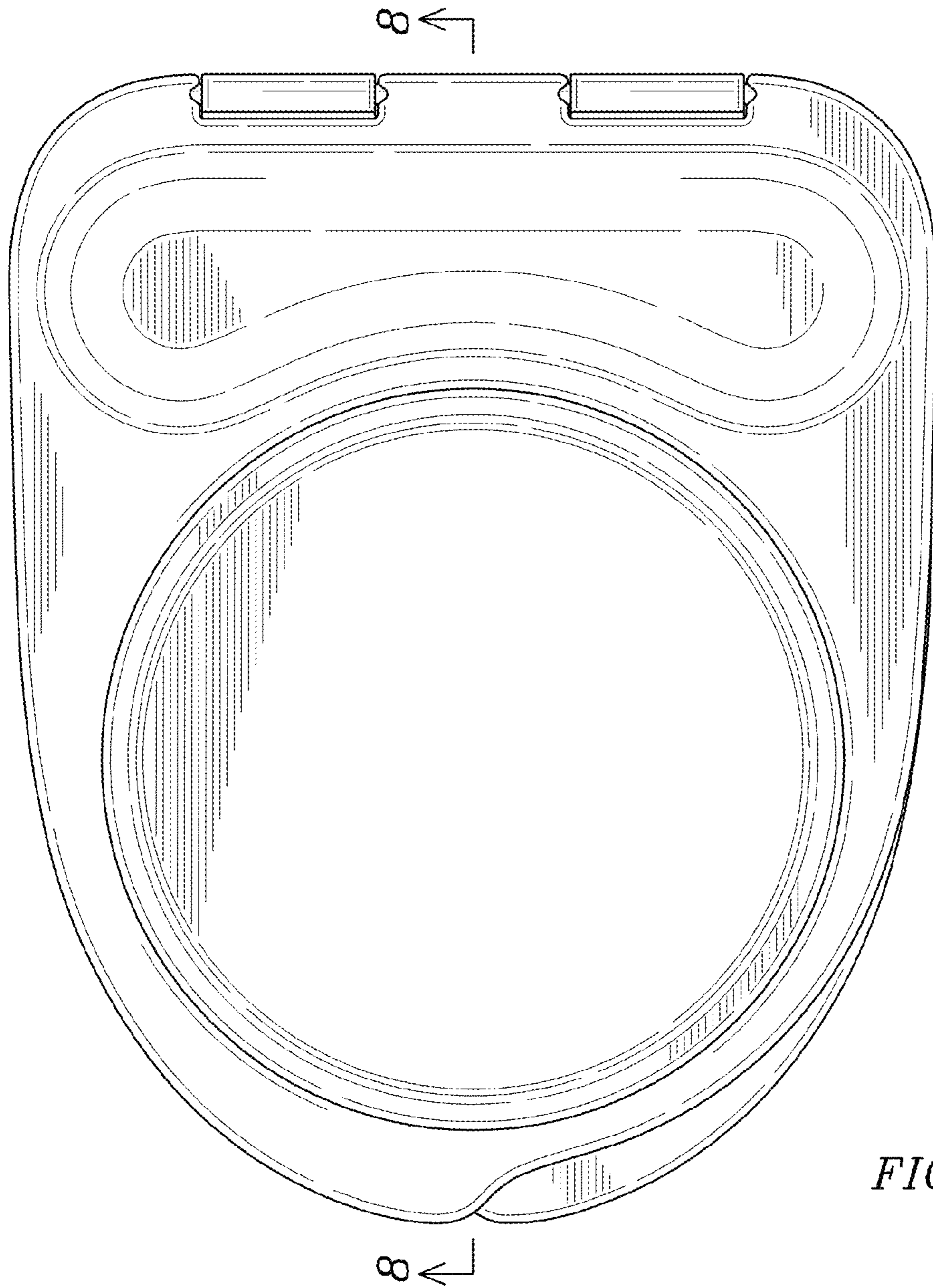


FIG. 3

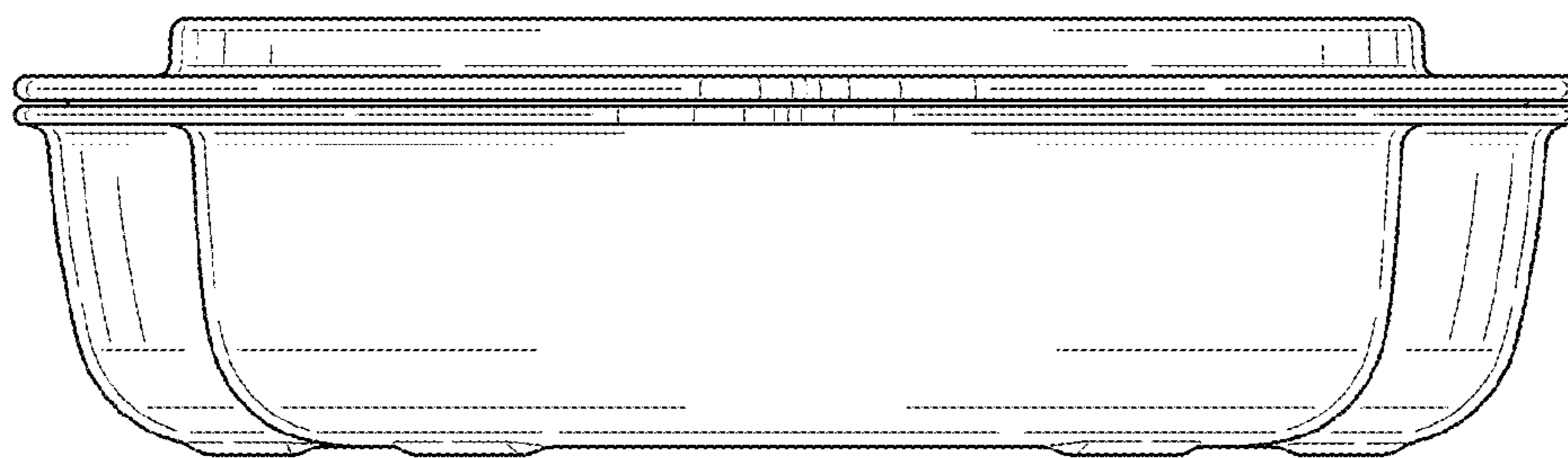


FIG. 5

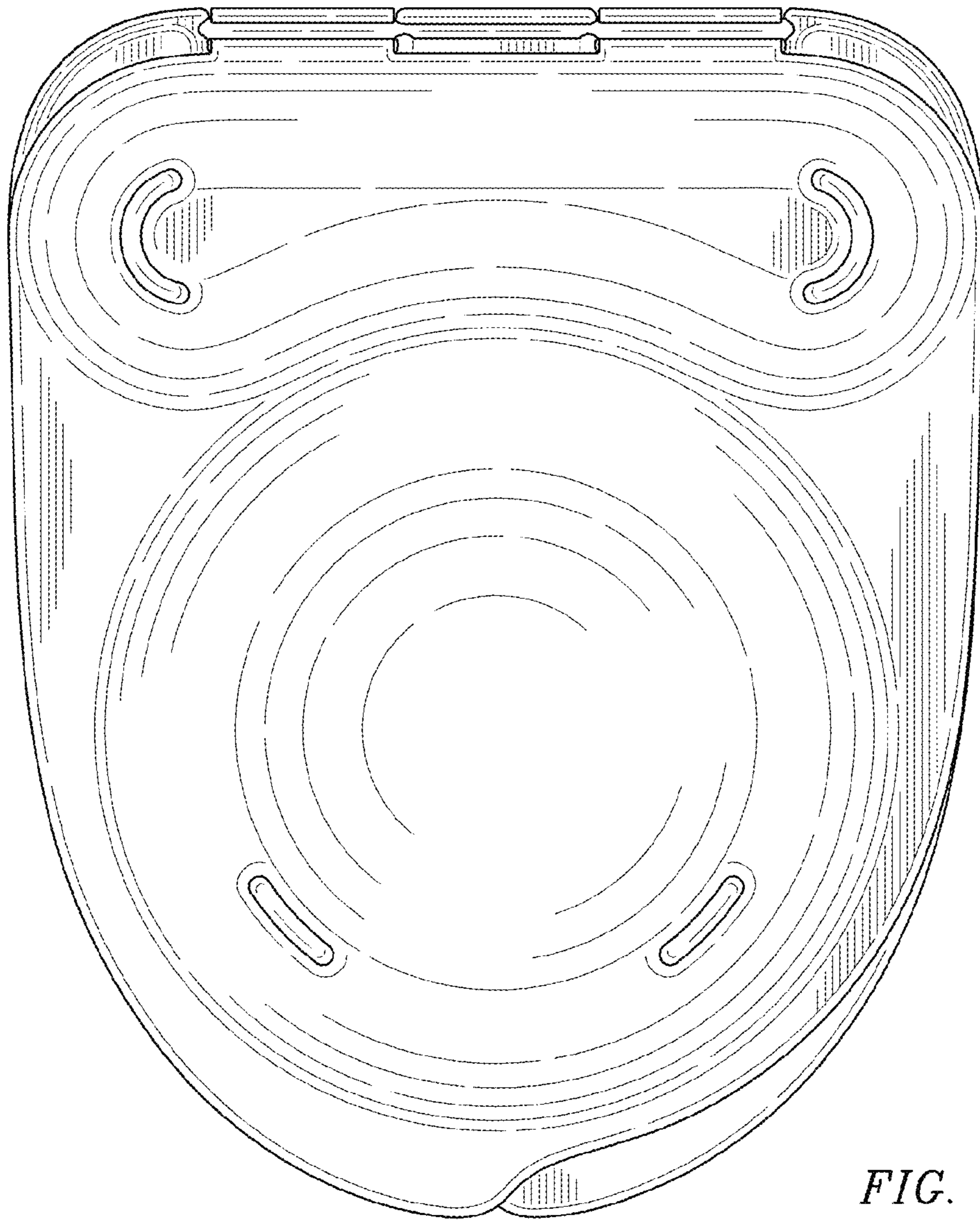


FIG. 4

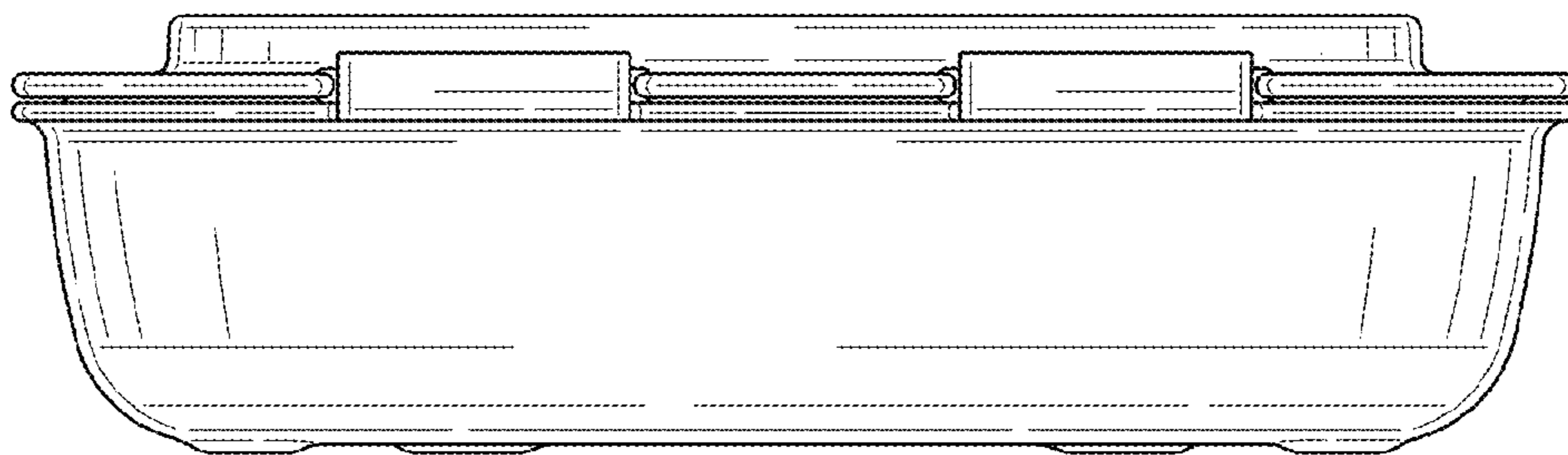


FIG. 6

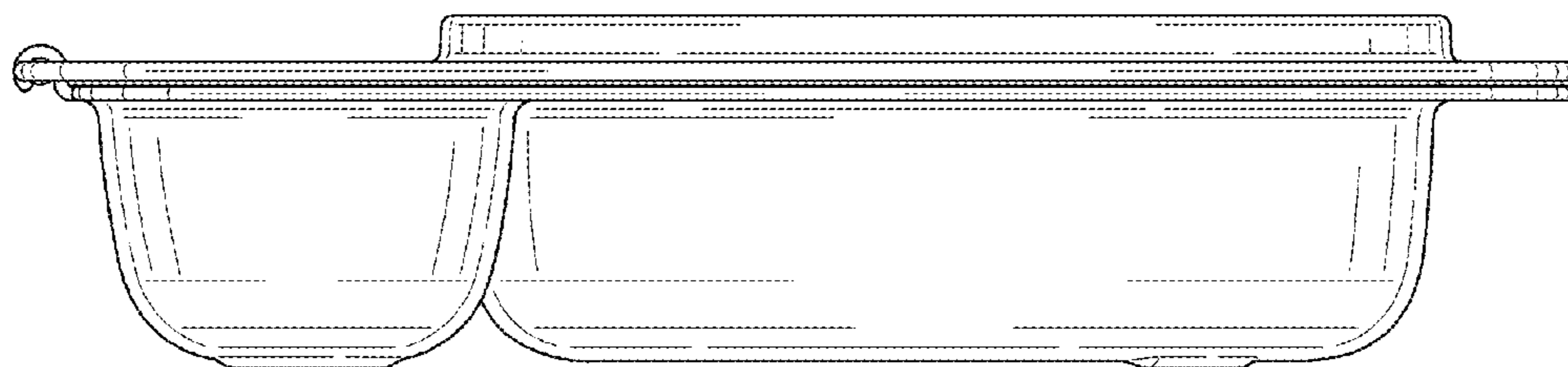


FIG. 7

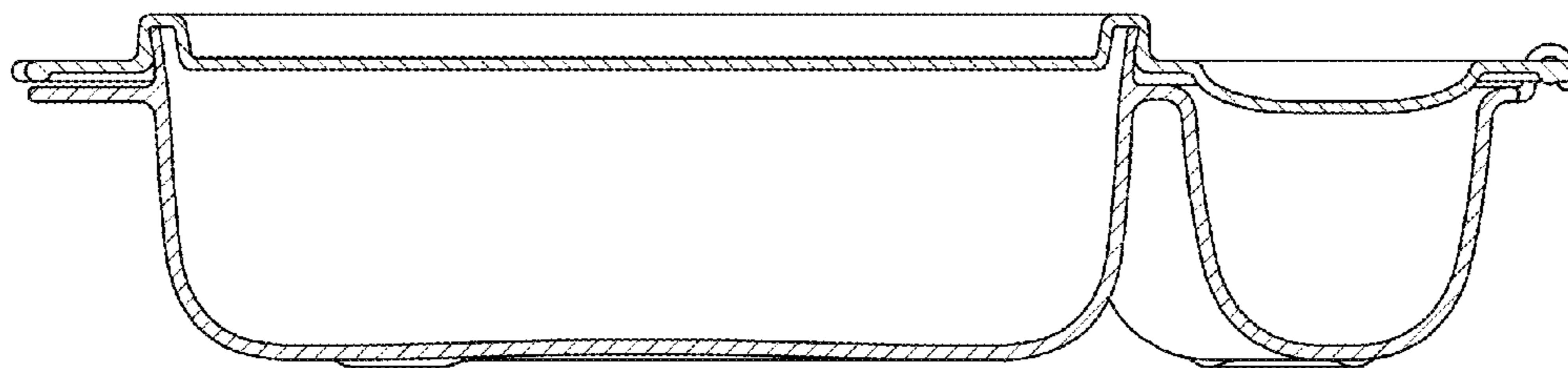


FIG. 8