



US00D700508S

(12) **United States Design Patent**
Trontel et al.

(10) **Patent No.:** **US D700,508 S**
(45) **Date of Patent:** **** Mar. 4, 2014**

(54) **DISPLAY PACKAGE**

(76) Inventors: **Gerald J. Trontel**, Sharpsville, PA (US);
Alan P. Brandt, Hermitage, PA (US)

(**) Term: **14 Years**

(21) Appl. No.: **29/401,347**

(22) Filed: **Sep. 11, 2011**

(51) **LOC (10) CI.** **09-03**

(52) **U.S. CI.**

USPC **D9/415**

(58) **Field of Classification Search**

USPC D9/346, 414-418, 424, 425, 423,
D9/432-436, 445, 431, 453, 499, 500, 504,
D9/516, 519, 522, 529, 535, 537, 545, 551,
D9/571, 672, 675, 702, 711, 715, 721, 722,
D9/737, 748, 759, 740, 743, 745, 749, 756,
D9/718; D3/201, 203.3, 269, 273, 282,
D3/300, 302, 315; 221/306; 53/411, 467,
53/170; 206/536

See application file for complete search history.

(56) **References Cited**

U.S. PATENT DOCUMENTS

4,019,632 A * 4/1977 Greenlee 206/349
D253,040 S * 10/1979 Fournier et al. D9/722
D253,167 S * 10/1979 Fournier et al. D9/722
4,899,877 A * 2/1990 Kiernan 206/349
D372,291 S * 7/1996 Watley D22/108
5,730,290 A * 3/1998 Futo
5,803,253 A * 9/1998 Zakarian 206/349

D422,496 S * 4/2000 Eckmann D9/722
6,467,617 B1 * 10/2002 Chen 206/315.11
D467,494 S * 12/2002 Udwin et al. D9/415
6,766,906 B2 7/2004 Charng
6,820,742 B1 * 11/2004 Chen 206/378
7,131,535 B2 * 11/2006 Hernandez et al. 206/349
D556,601 S * 12/2007 Ferguson et al. D9/732
7,344,026 B2 * 3/2008 Melgaard 206/349
7,392,906 B2 7/2008 Yu
7,537,115 B2 5/2009 Weaver
7,624,865 B2 12/2009 Pendergraph et al.
7,789,234 B2 9/2010 Clark

* cited by examiner

Primary Examiner — Robert M Spear

Assistant Examiner — Rhea Shields

(74) *Attorney, Agent, or Firm* — Wayne D. Porter, Jr.

(57) **CLAIM**

The ornamental design for a display package, as shown and described.

DESCRIPTION

FIG. 1 is a rear perspective view showing our new design; FIG. 2 is a front perspective view thereof; FIG. 3 is a rear plan view thereof; FIG. 4 is a right side elevation view thereof; FIG. 5 is a top end view thereof; FIG. 6 is a bottom end view thereof; FIG. 7 is a front plan view thereof; and, FIG. 8 is a left side elevation view thereof. The broken lines in the drawings depict unclaimed environment.

1 Claim, 5 Drawing Sheets

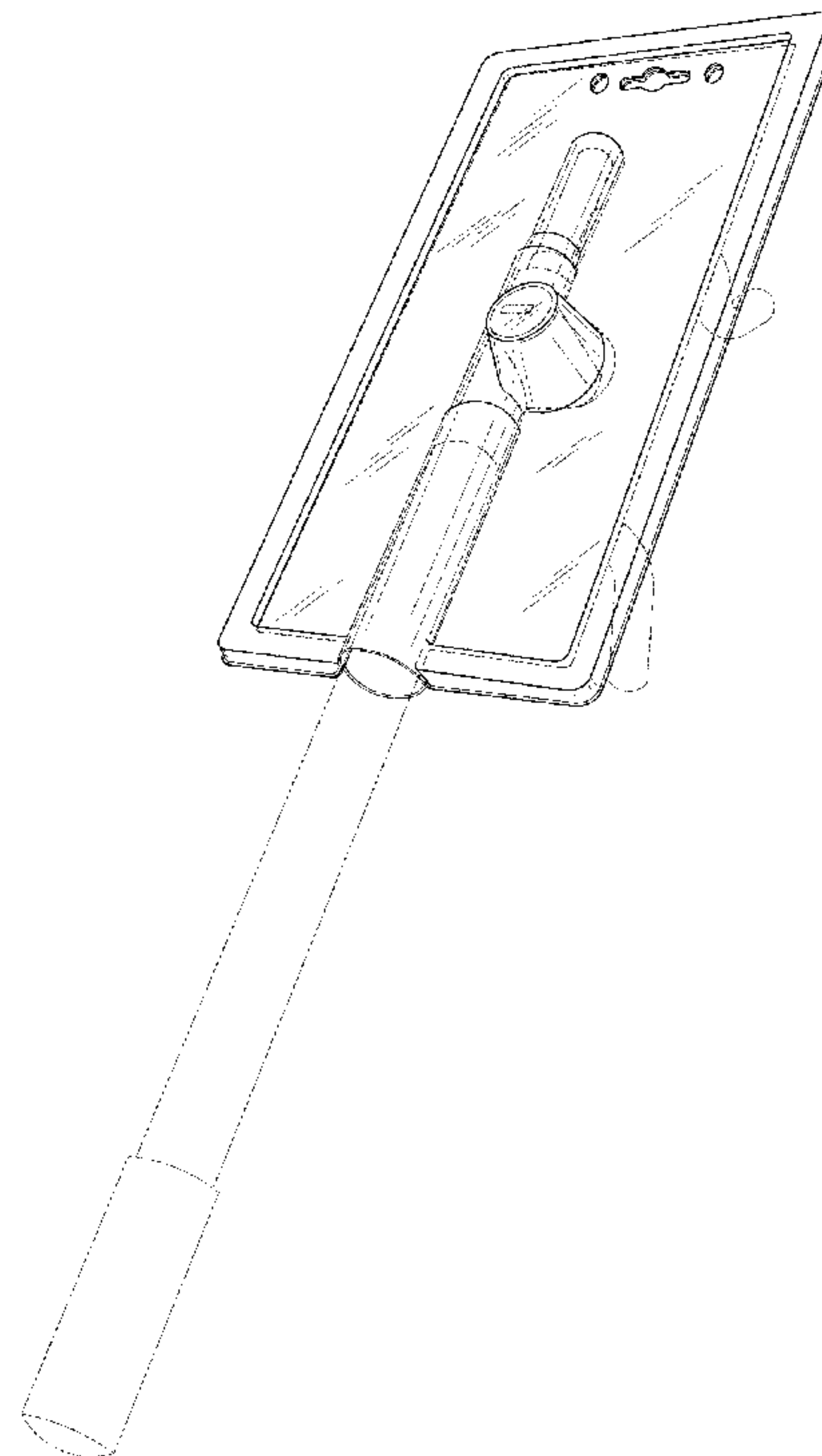
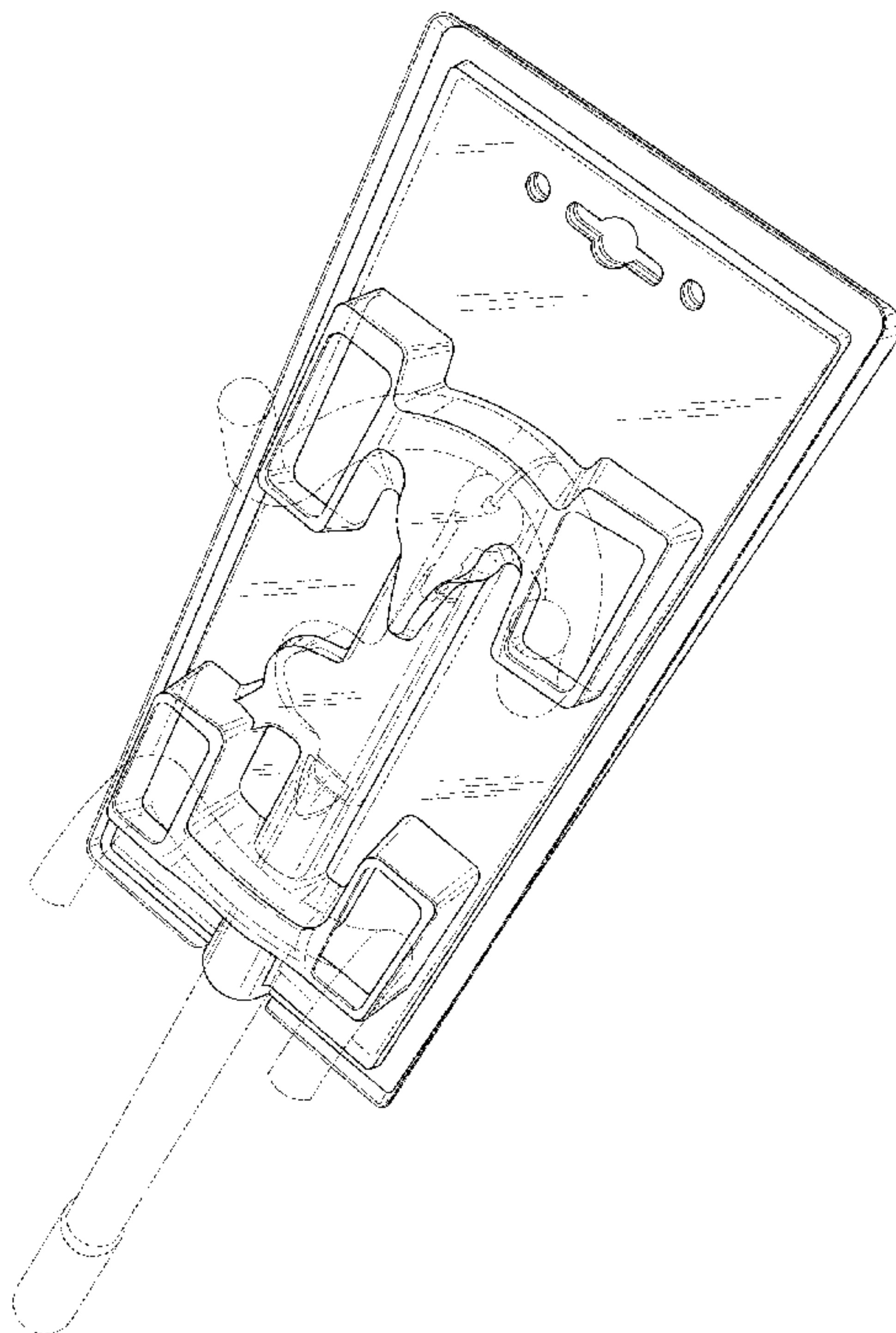


FIG. 1

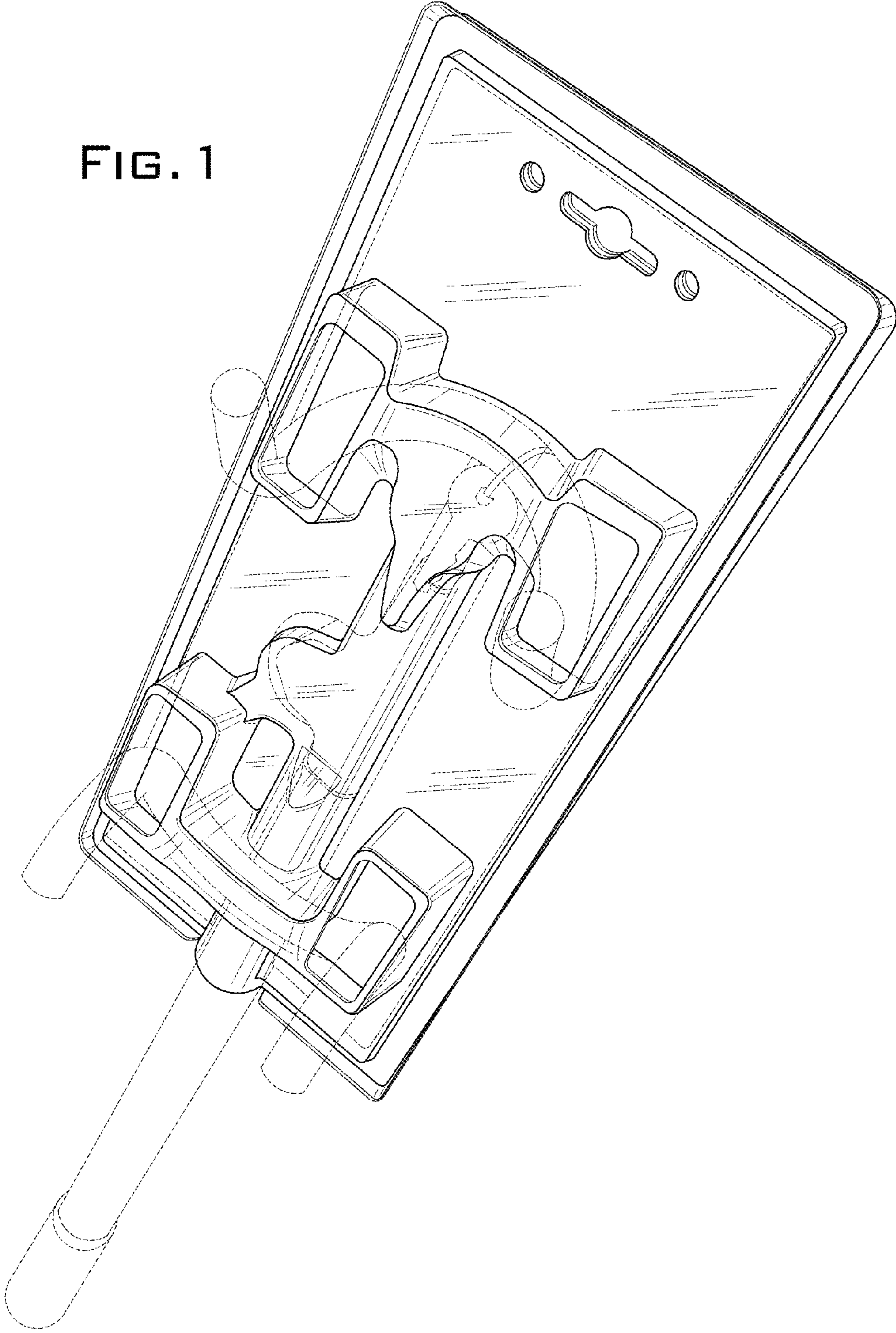
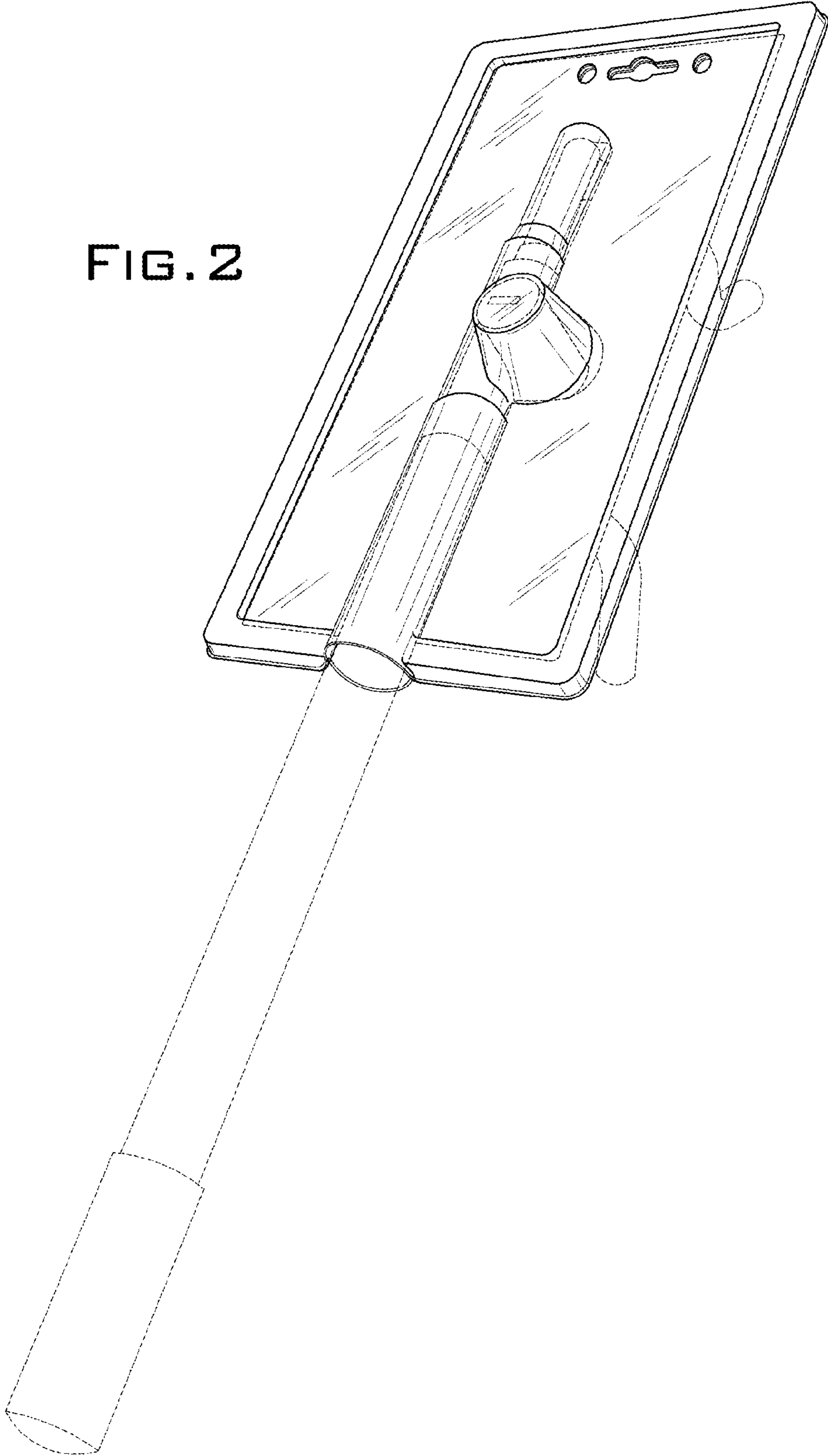


FIG. 2



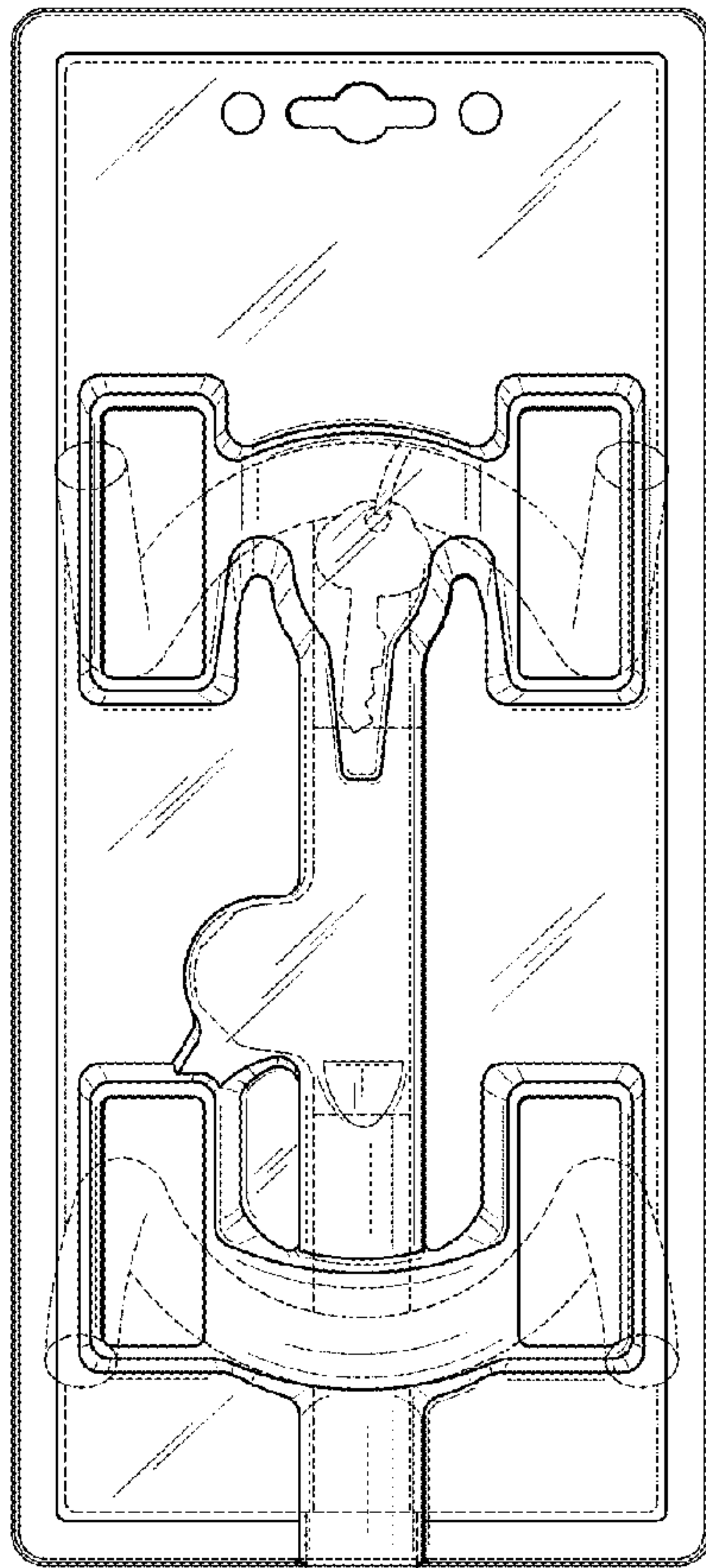


FIG. 3

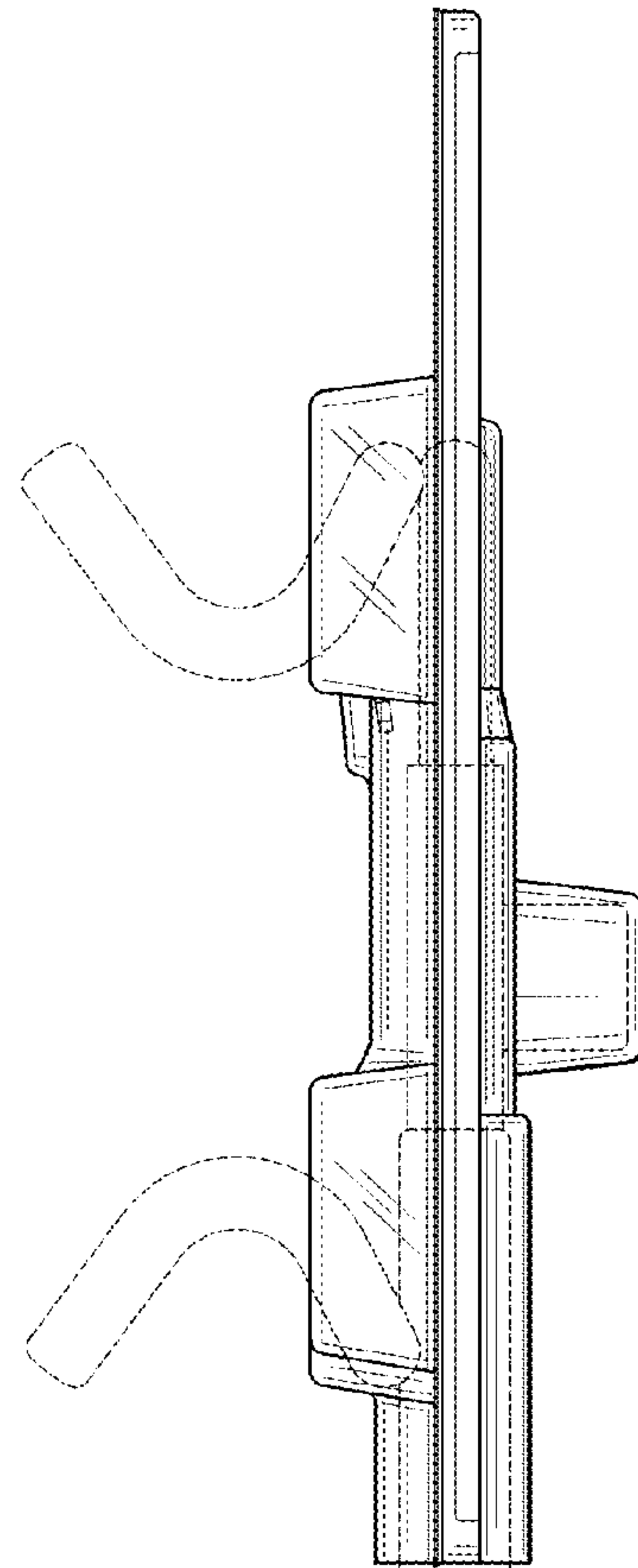


FIG. 4

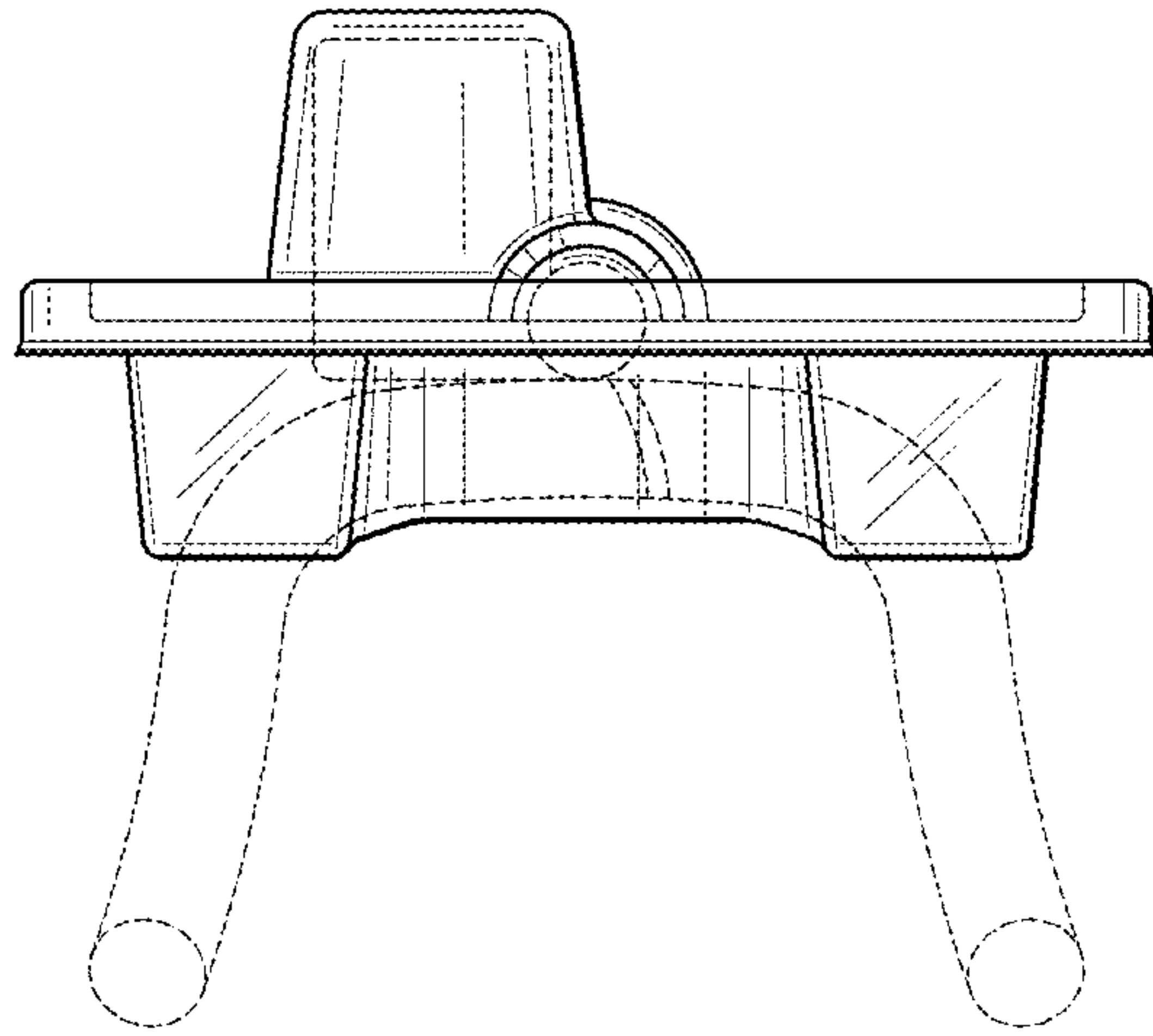


FIG. 5

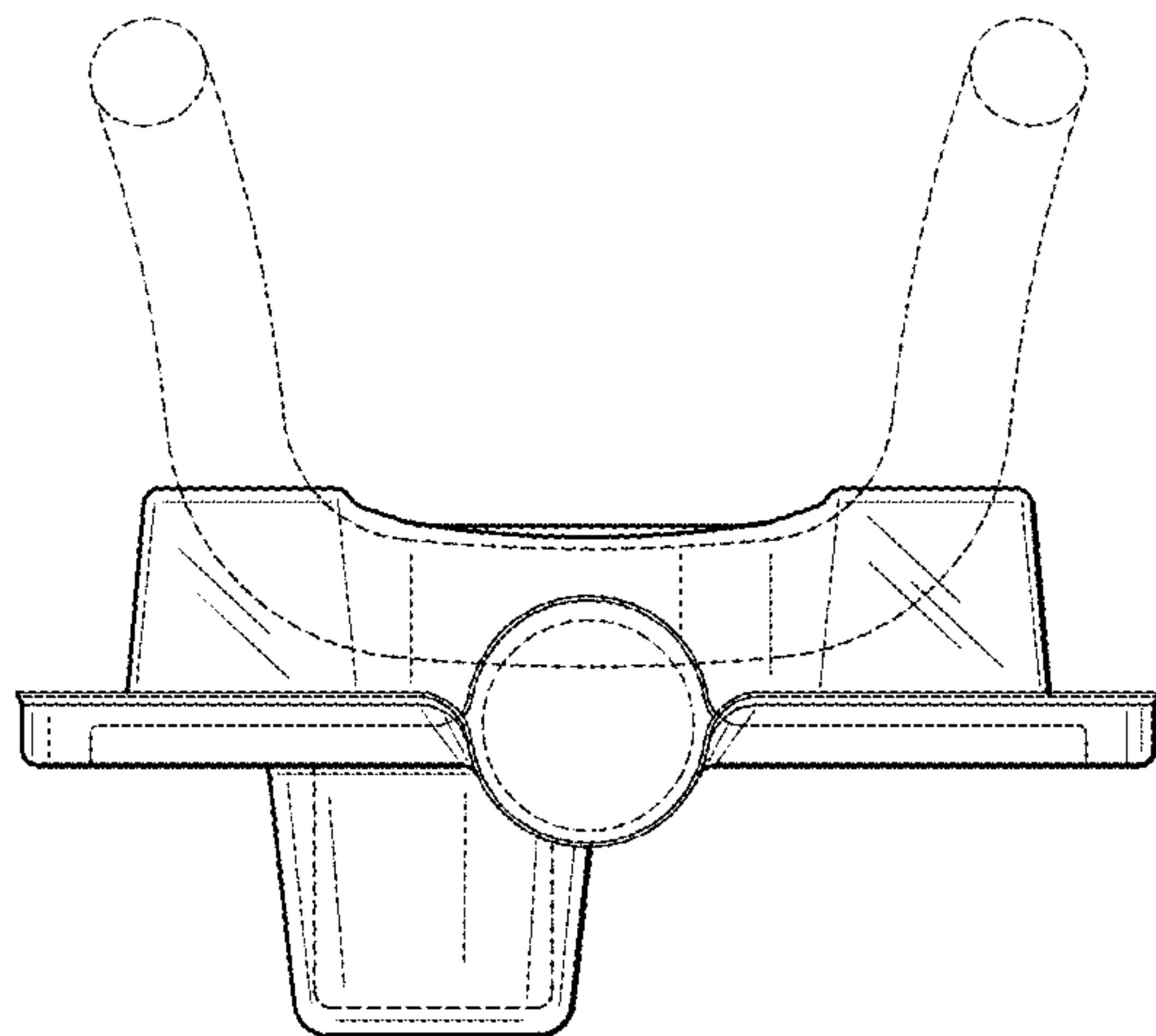


FIG. 6

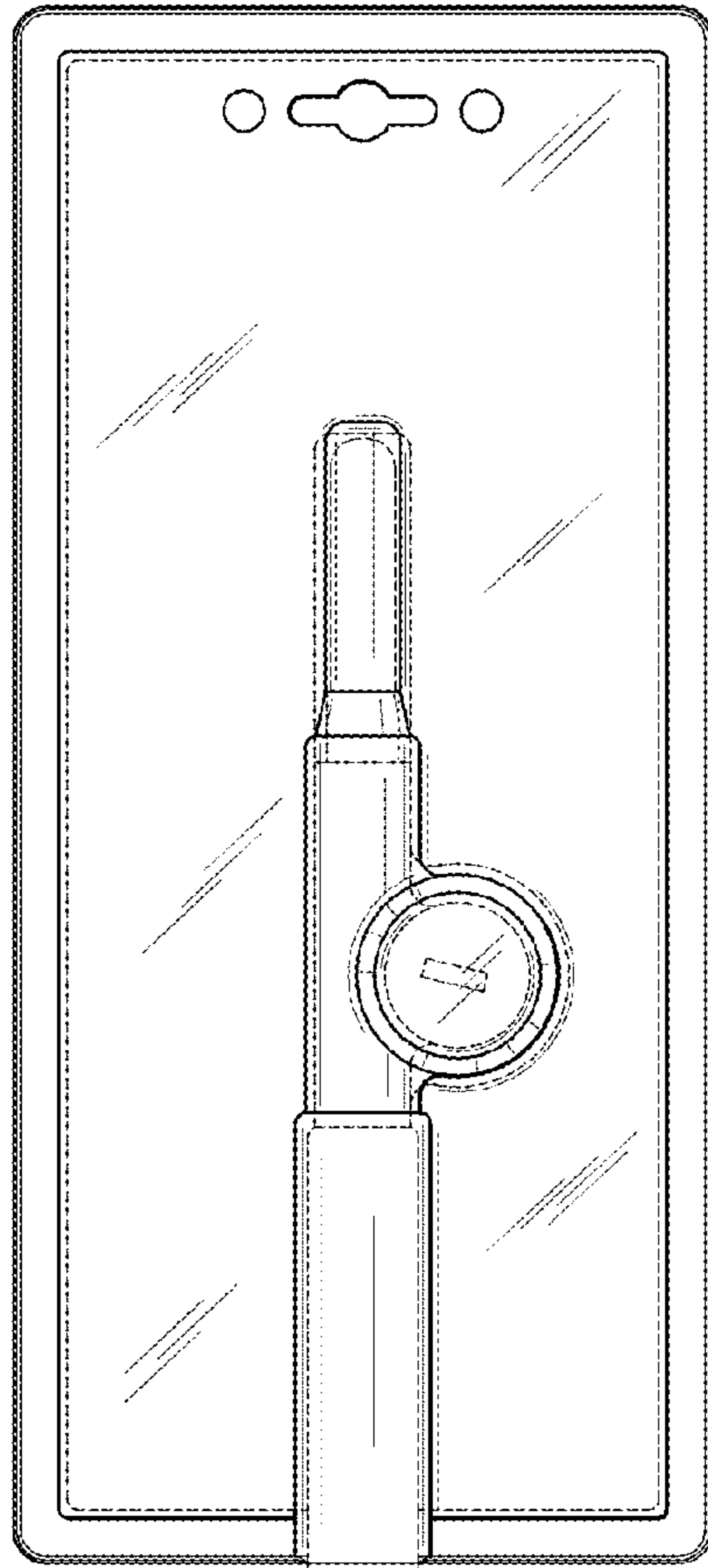


FIG. 7

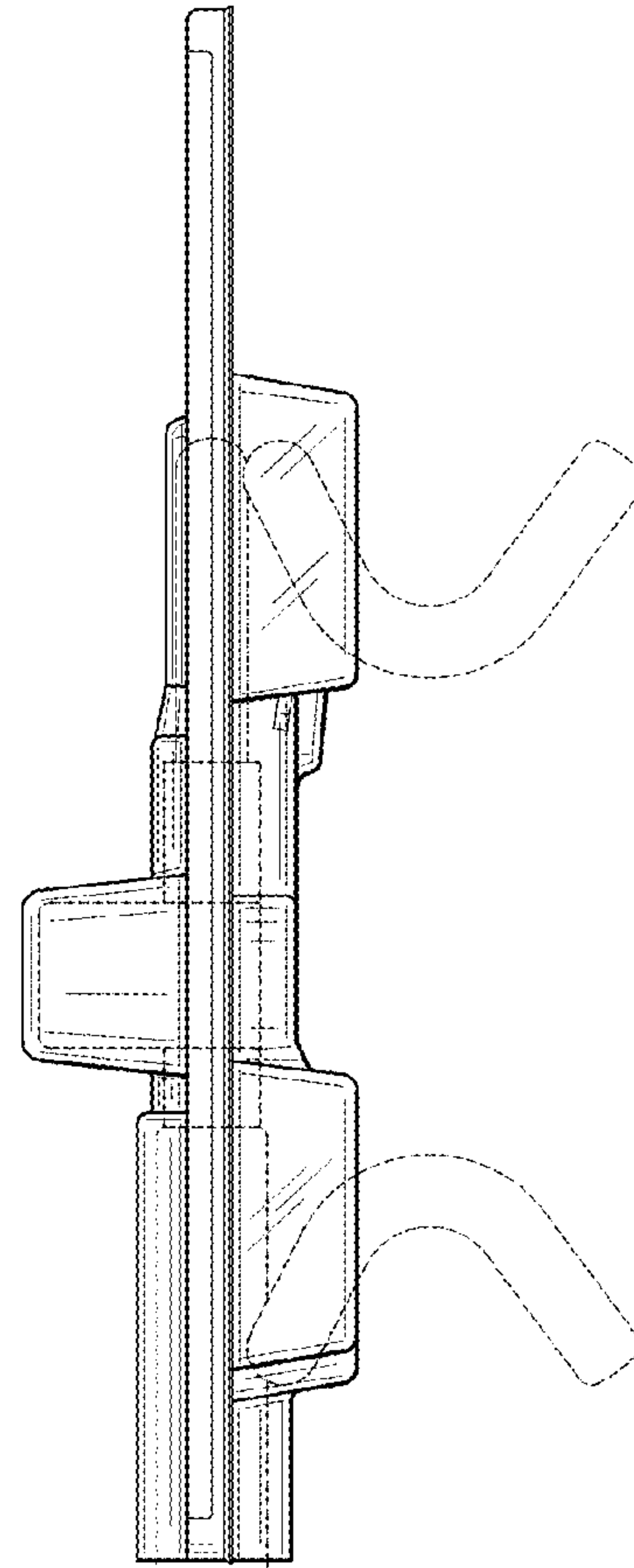


FIG. 8