



US00D700506S

(12) **United States Design Patent**
Kumakawa et al.

(10) **Patent No.:** **US D700,506 S**
(45) **Date of Patent:** **** Mar. 4, 2014**

- (54) **BEAM JOINT HARDWARE**
- (75) Inventors: **Yoshinobu Kumakawa**, Tokyo (JP);
Junichi Imai, Tokyo (JP); **Kunio Kanai**,
Tokyo (JP); **Masayoshi Nakamura**,
Tokyo (JP)
- (73) Assignees: **Sumitomo Forestry Co., Ltd.**, Tokyo
(JP); **Kanai Co., Ltd.**, Tokyo (JP)

D616,735	S *	6/2010	Shaw et al.	D8/382
D637,477	S *	5/2011	Wall	D8/382
D645,335	S *	9/2011	Herman	D8/363
D659,522	S *	5/2012	Noturno	D8/382
D673,028	S *	12/2012	Apestequia Martinez et al.	D8/354
8,511,033	B2 *	8/2013	Kumakawa et al.	52/656.9
D689,760	S *	9/2013	Chen	D8/354
2006/0144006	A1 *	7/2006	Suzuki et al.	52/655.1
2006/0265992	A1 *	11/2006	Hiragaki	52/633
2013/0125497	A1 *	5/2013	Kumakawa et al.	52/655.1

- (**) Term: **14 Years**
- (21) Appl. No.: **29/409,830**
- (22) Filed: **Dec. 29, 2011**

FOREIGN PATENT DOCUMENTS

JP	1266845	4/2006
JP	1278224	8/2006
JP	1278469	8/2006

* cited by examiner

Primary Examiner — Sheryl Lane
(74) *Attorney, Agent, or Firm* — Young & Thompson

- (30) **Foreign Application Priority Data**
Jun. 30, 2011 (JP) 2011-014955
- (51) **LOC (10) Cl.** **08-08**
- (52) **U.S. Cl.**
USPC **D8/382**; D25/133
- (58) **Field of Classification Search**
USPC D8/382, 349, 354, 356; 248/200, 300;
411/508, 511; D25/133; 52/655.1,
52/656.9, 633
See application file for complete search history.

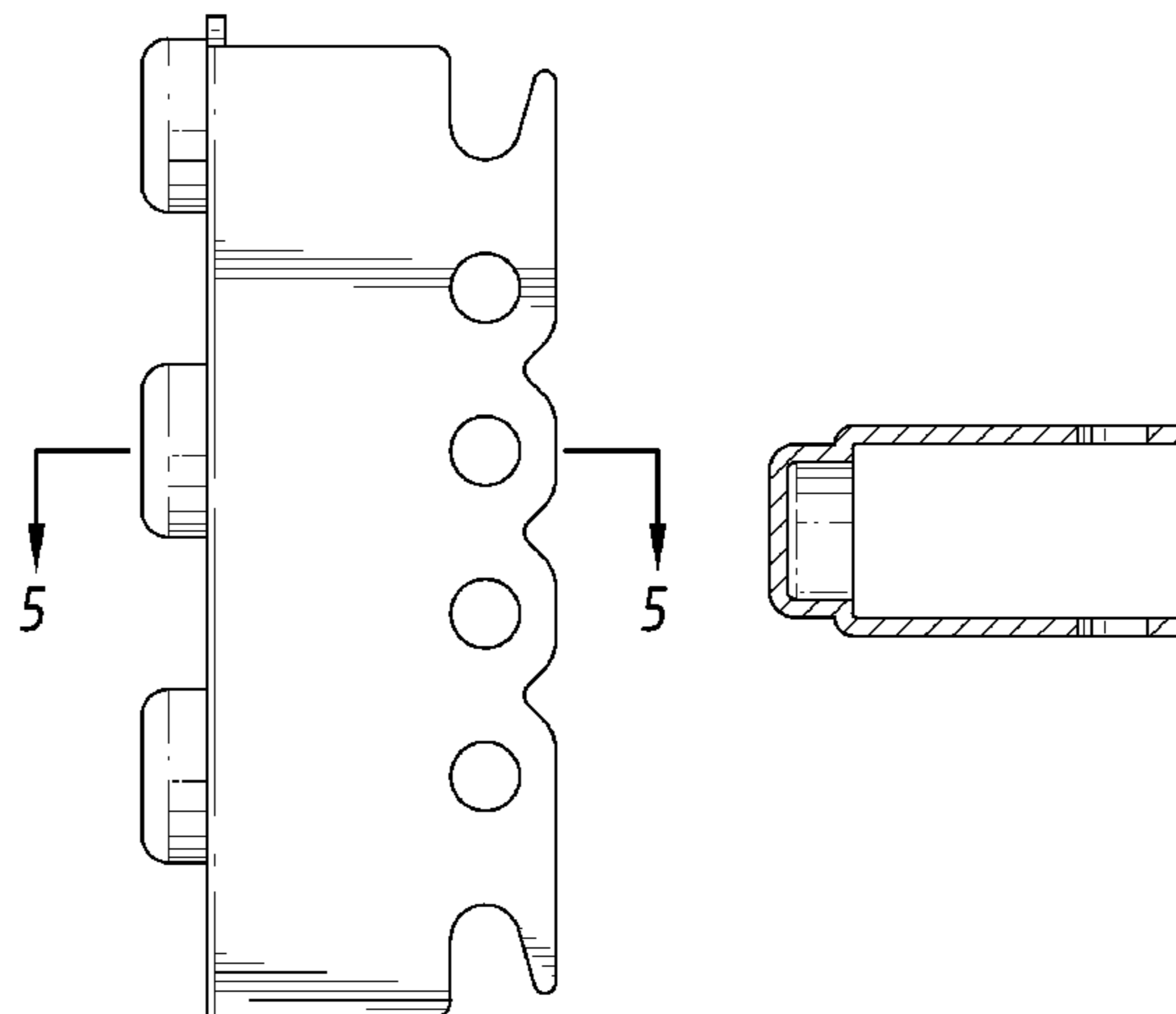
(57) **CLAIM**
The ornamental design for beam joint hardware, as shown and described.

DESCRIPTION

FIG. 1 is a front elevation view of beam joint hardware showing the new design;
 FIG. 2 is a left side elevation view thereof;
 FIG. 3 is a right side elevation view thereof;
 FIG. 4 is a top plan view thereof;
 FIG. 5 is a cross-sectional view taken along line 5-5 shown in FIG. 1; and,
 FIG. 6 is a front, side, top perspective view of two articles of beam joint hardware showing the new design, wherein the hardware is shown in its intended use with environmental structure.
 FIG. 6 is included for reference purposes only and the environmental structure shown therein forms no part of the claimed design.
 The broken lines represent environment and form no part of the claimed design.

1 Claim, 4 Drawing Sheets

- (56) **References Cited**
U.S. PATENT DOCUMENTS
3,905,712 A * 9/1975 McConnell 403/317
5,412,913 A * 5/1995 Daniels et al. 52/79.13
D365,749 S * 1/1996 Pacheco D8/382
D370,170 S * 5/1996 Lambourne D8/349
D375,040 S * 10/1996 Miyashita D8/382
5,617,694 A * 4/1997 Baba 52/712
D389,251 S * 1/1998 Kelly D25/133
5,813,649 A * 9/1998 Peterson et al. 248/618
D402,185 S * 12/1998 Heiligenstein et al. D8/349
D422,894 S * 4/2000 Kubica D8/382
D446,710 S * 8/2001 Sterling et al. D8/354
D473,957 S * 4/2003 Ito et al. D25/133
D521,159 S * 5/2006 Hansort D25/133
D556,560 S * 12/2007 Tsuda D8/382



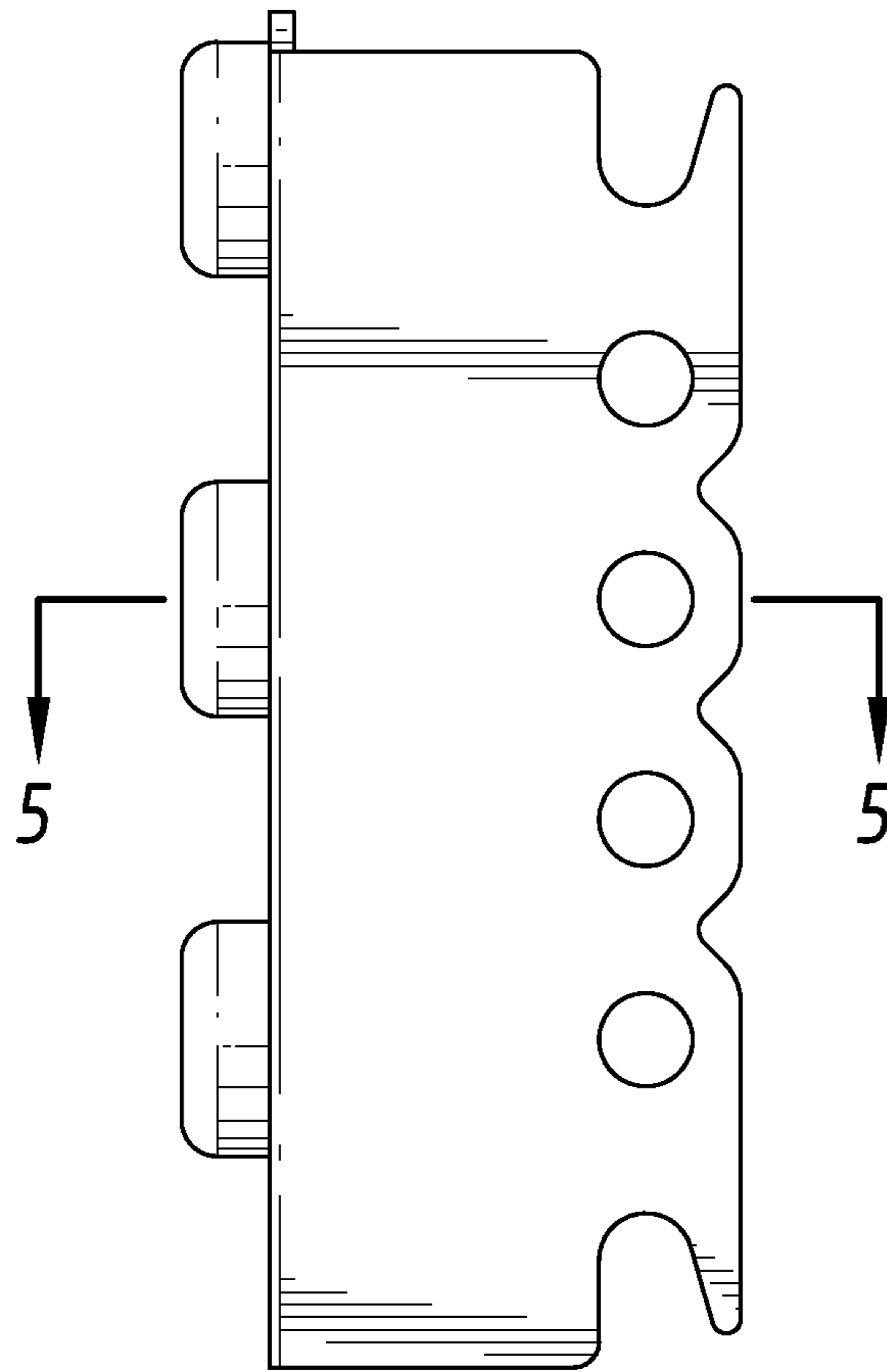


FIG. 1

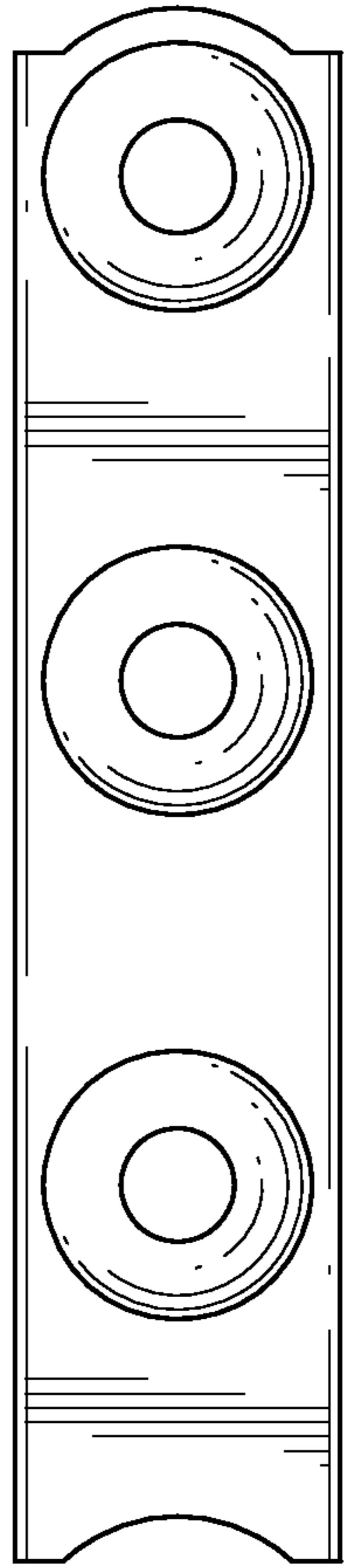


FIG. 2

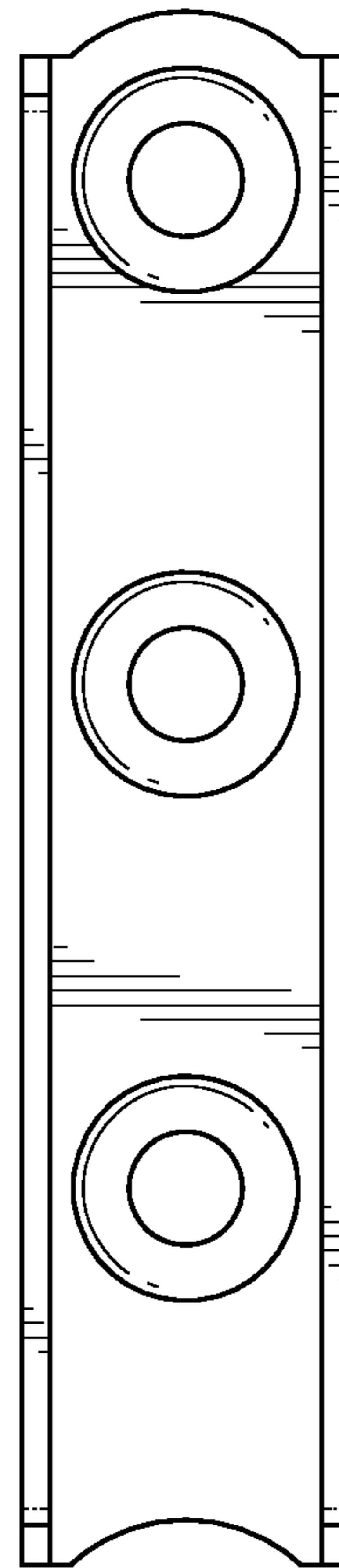


FIG. 3

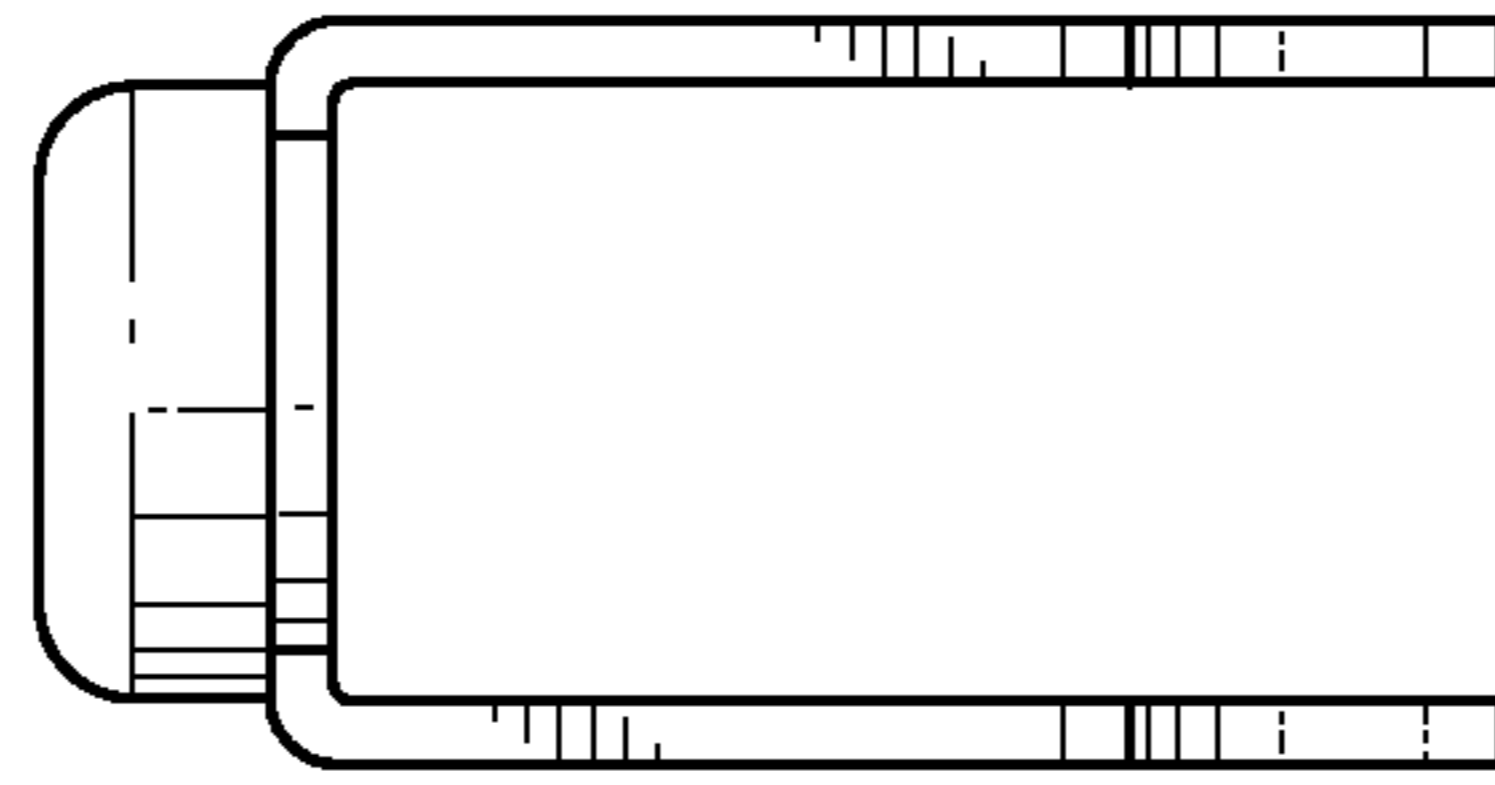


FIG. 4

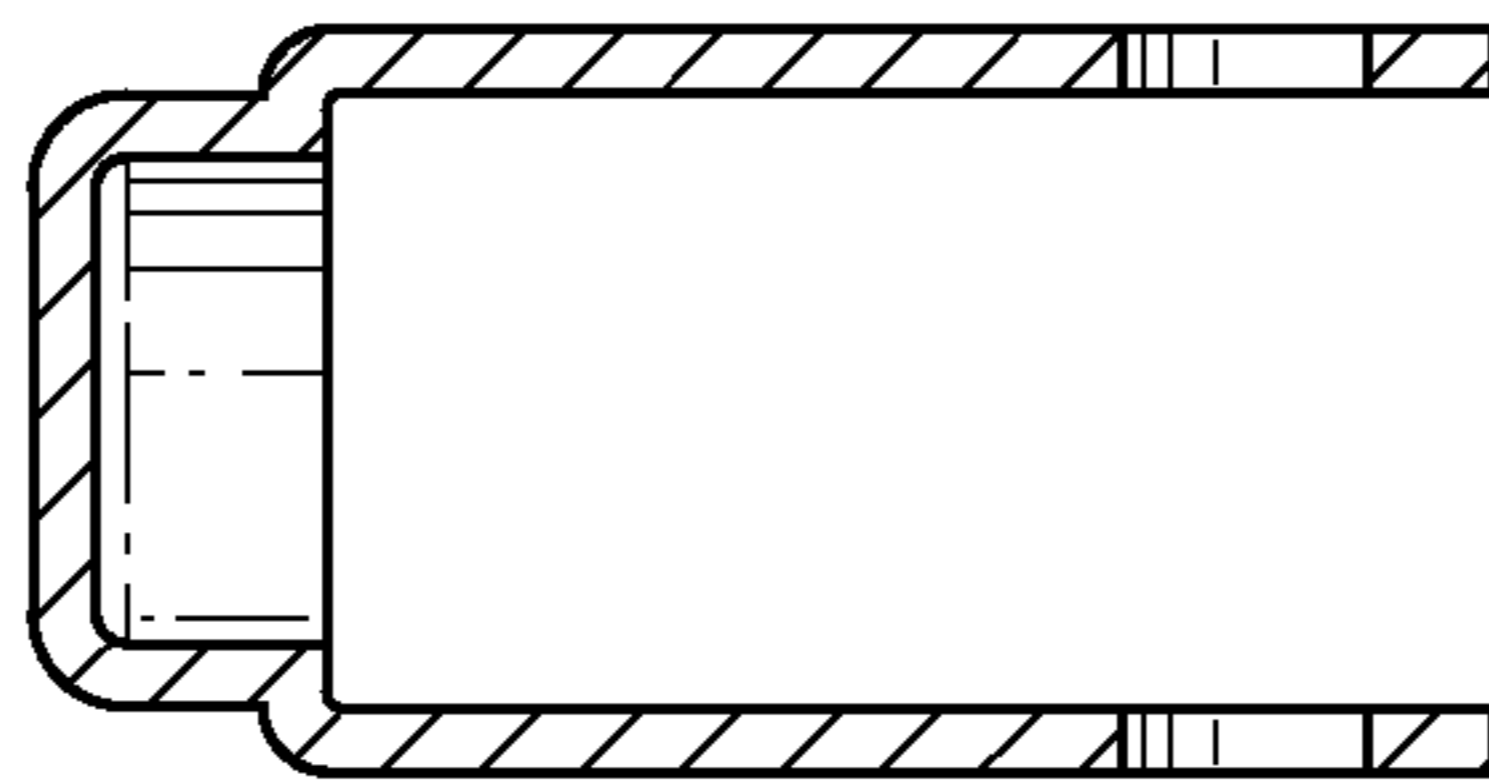


FIG. 5

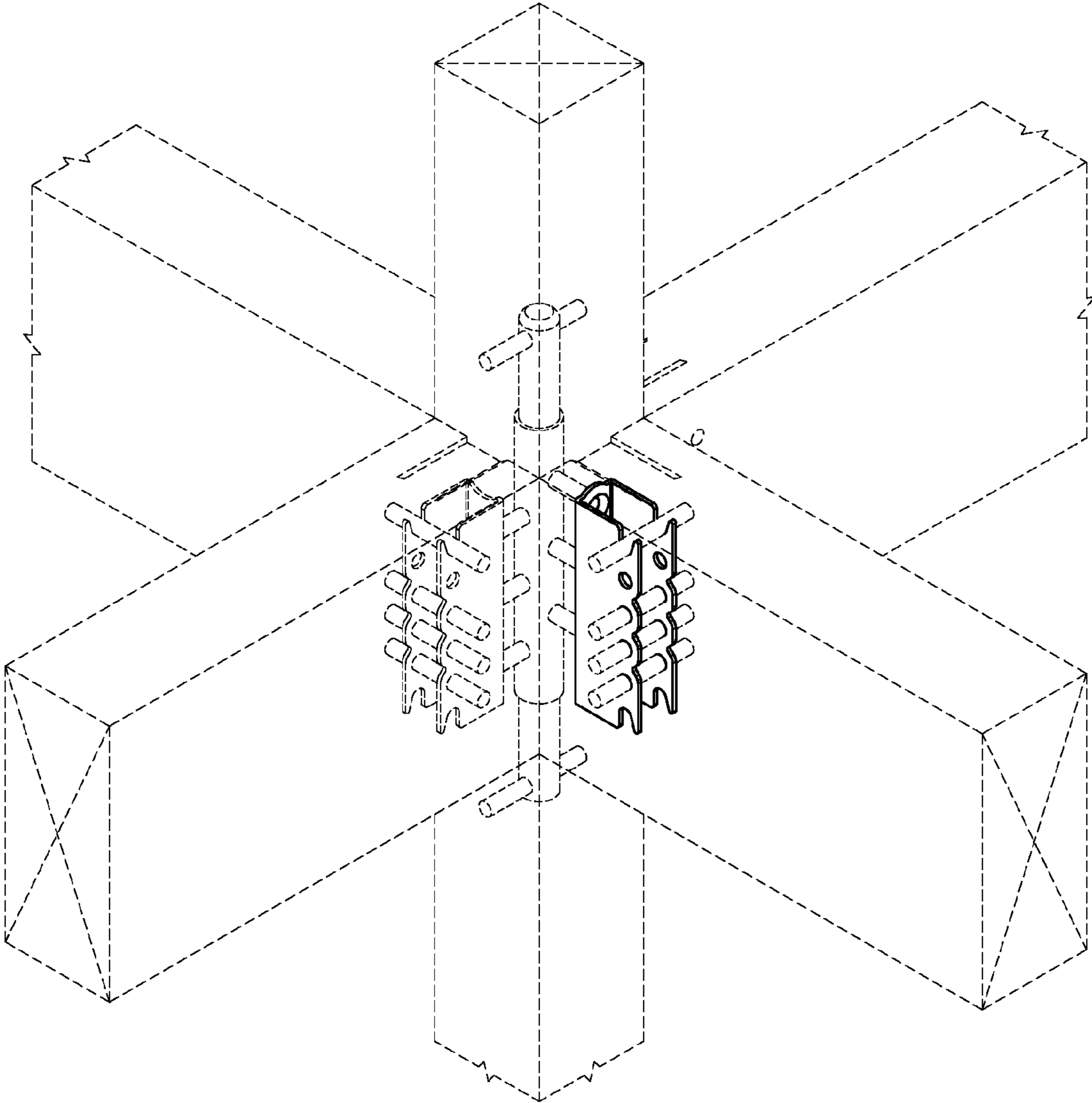


FIG. 6