



US00D700504S

(12) **United States Design Patent**
Blocker

(10) **Patent No.:** **US D700,504 S**
(45) **Date of Patent:** **** Mar. 4, 2014**

(54) **LOOPED LINKAGE GARDEN EDGING DEVICE WITH CAP**

D523,328 S 6/2006 Ramos
7,107,789 B1 9/2006 Bruner
D553,971 S * 10/2007 Krueger D8/396
D560,469 S 1/2008 Bartol et al.

(71) Applicant: **Lloyd Blocker**, Bastrop, LA (US)

(Continued)

(72) Inventor: **Lloyd Blocker**, Bastrop, LA (US)

Primary Examiner — Cynthia Underwood

(**) Term: **14 Years**

(74) *Attorney, Agent, or Firm* — Larson & Larson, P.A.;
Frank Liebenow; Justin P. Miller

(21) Appl. No.: **29/448,823**

(22) Filed: **Mar. 14, 2013**

(51) **LOC (10) Cl.** **08-05**

(52) **U.S. Cl.**
USPC **D8/367**

(58) **Field of Classification Search**
USPC D8/367, 354, 349, 373, 372; D6/323;
248/301–304, 339, 205.3, 217.2, 493,
248/215; 411/431, 372.5; 24/698.1, 265 H,
24/265 R, 599.1, 599.8, 113 R; 294/16,
294/82.18; 138/106; D23/200; 160/349.2;
223/106

See application file for complete search history.

(57) **CLAIM**

I claim the ornamental design for a looped linkage garden edging device with cap, as shown and described.

DESCRIPTION

FIG. 1 is a front elevation view of the looped linkage garden edging device with cap showing my new design;
FIG. 2 is a rear elevation view thereof;
FIG. 3 is a left side view thereof;
FIG. 4 is a right side view thereof;
FIG. 5 is a top plan view thereof;
FIG. 6 is a bottom plan view thereof;
FIG. 7 is a perspective view thereof;
FIG. 8 is a perspective view thereof;
FIG. 9 is a perspective view thereof;
FIG. 10 is a perspective view of the looped linkage garden edging device with cap shown in use in transverse arrangement, thereof and at a reduced scale;
FIG. 11 is a perspective view of the looped linkage garden edging device with cap shown in use in overlapping, transverse arrangement, prior to insertion of linkage pin thereof and at a reduced scale; and,
FIG. 12 is a perspective view of the looped linkage garden edging device with cap shown in use in overlapping, transverse arrangement, with inserted linkage pin thereof and at a reduced scale.

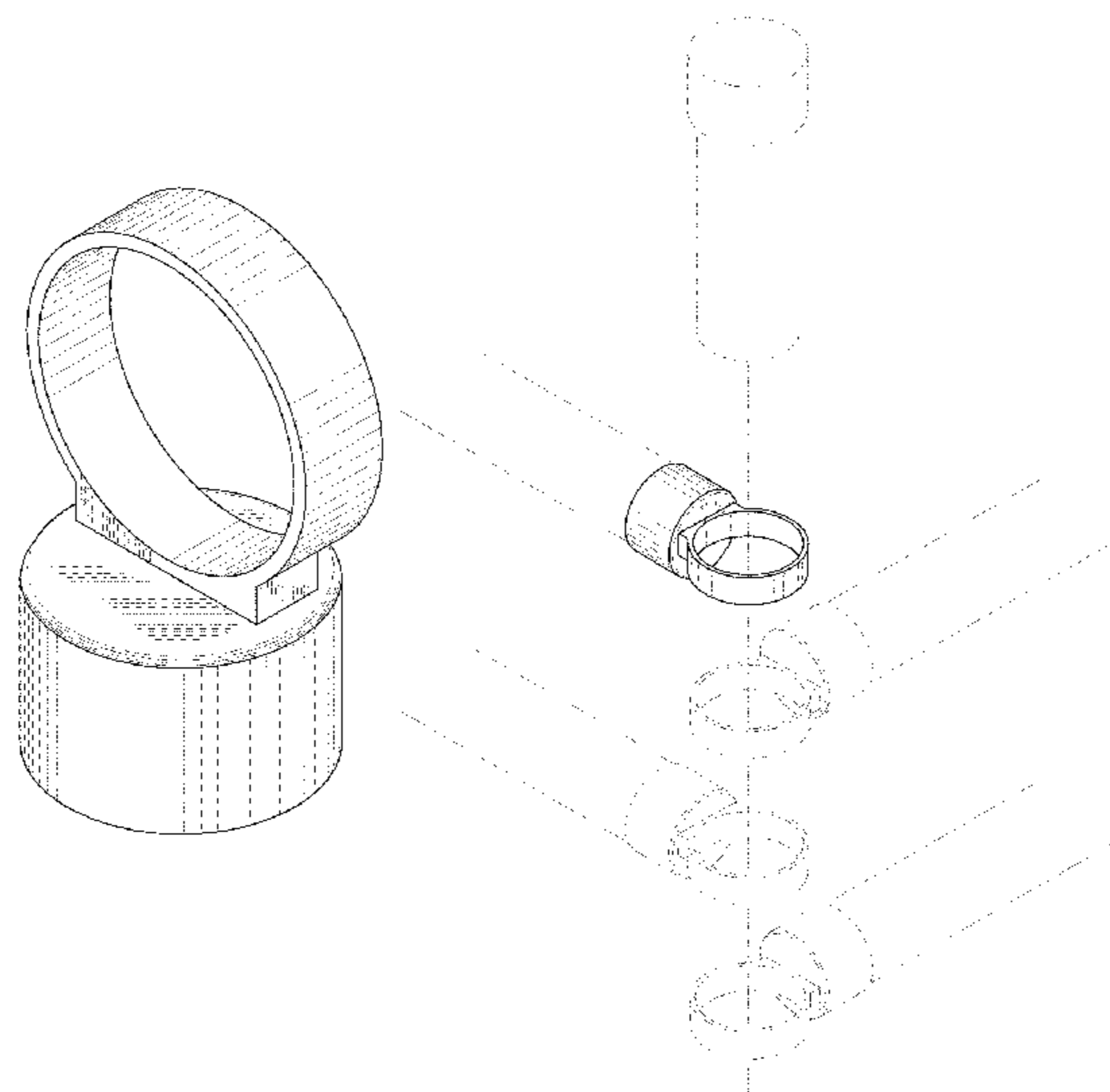
The broken lines in FIGS. 10-12 depicting the circular pipe and linkage pin used to fasten the looped linkage garden edging device are for illustrative purposes only and form no part of the claimed design.

(56) **References Cited**

U.S. PATENT DOCUMENTS

D32,654 S	5/1900	Kroder	
1,362,244 A *	12/1920	Farley	248/59
2,339,992 A *	1/1944	Hohmeister	248/62
3,049,326 A *	8/1962	Otterson	248/59
3,273,837 A *	9/1966	Willert et al.	248/59
3,390,889 A	7/1968	Grover	
3,655,154 A	4/1972	Orts	
4,533,149 A	8/1985	Vater et al.	
4,730,800 A *	3/1988	Engman	248/67
D311,486 S	10/1990	Hickman	
D357,174 S *	4/1995	Perlman et al.	D8/373
5,412,956 A	5/1995	Levy	
5,413,502 A	5/1995	Wang	
D382,195 S *	8/1997	Ekern	D8/373
D392,553 S *	3/1998	Dill	D8/380
5,746,067 A	5/1998	Leach et al.	
5,934,685 A	8/1999	Danzer	
D433,927 S *	11/2000	Ellery	D8/380

1 Claim, 9 Drawing Sheets



US D700,504 S

Page 2

(56)

References Cited

U.S. PATENT DOCUMENTS

			D642,045 S	7/2011	Sweeney
			D654,352 S	2/2012	Blocker
			2008/0236195 A1	10/2008	Woebke
7,347,065 B1	3/2008	DeGolyer			
D621,077 S *	8/2010	Fleischman	D26/9		* cited by examiner

FIG. 1

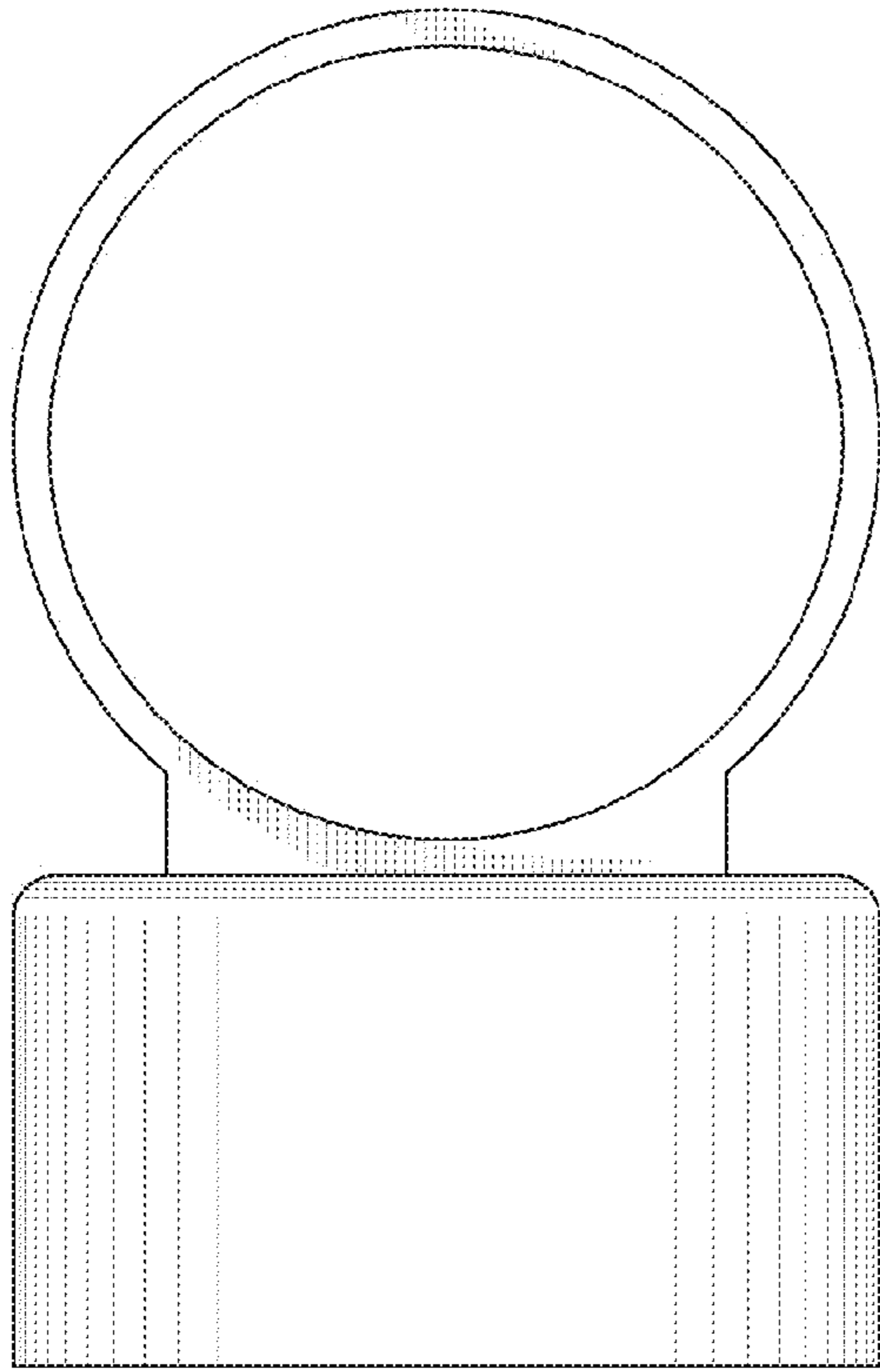


FIG. 2

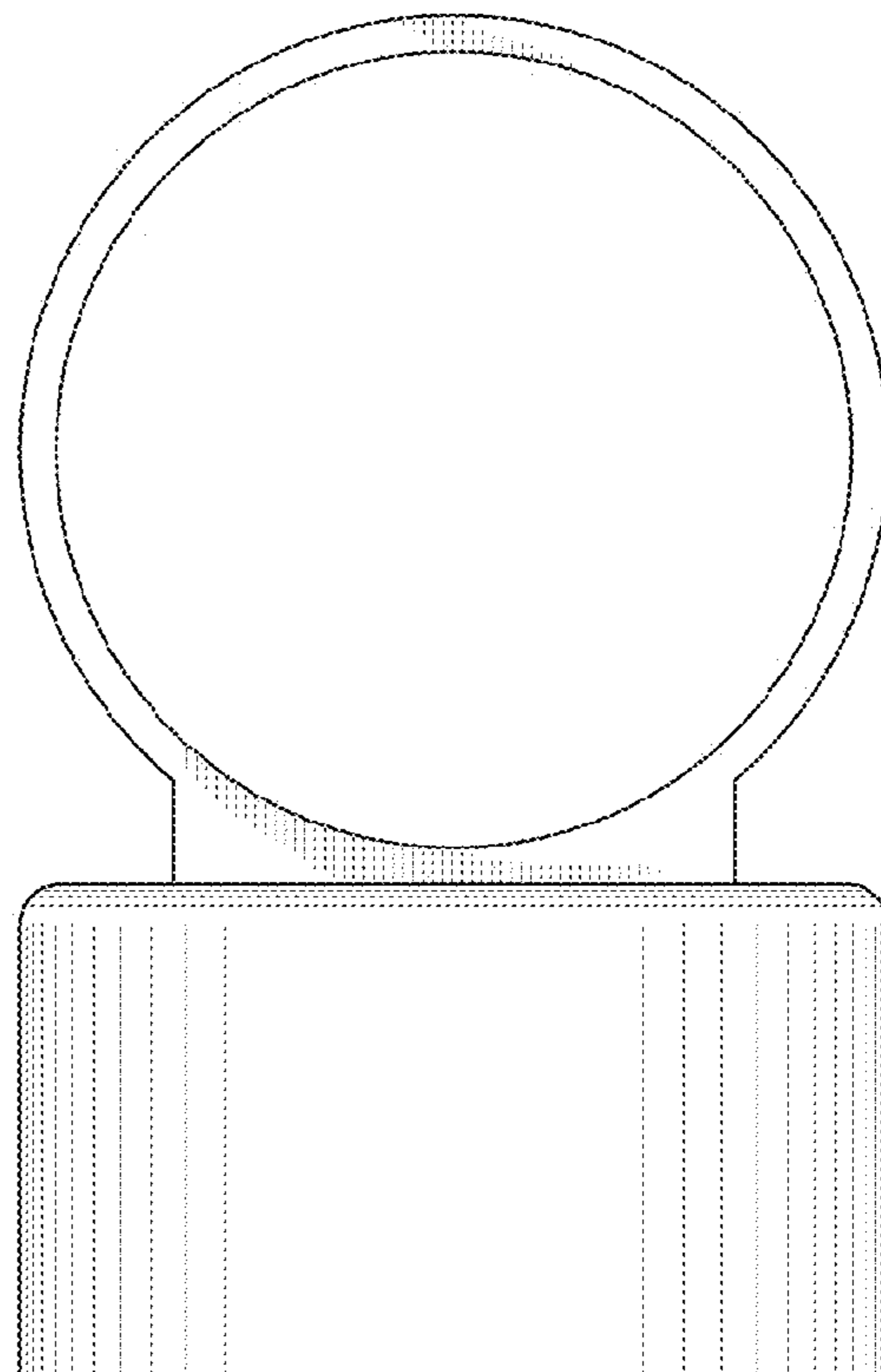


FIG. 3

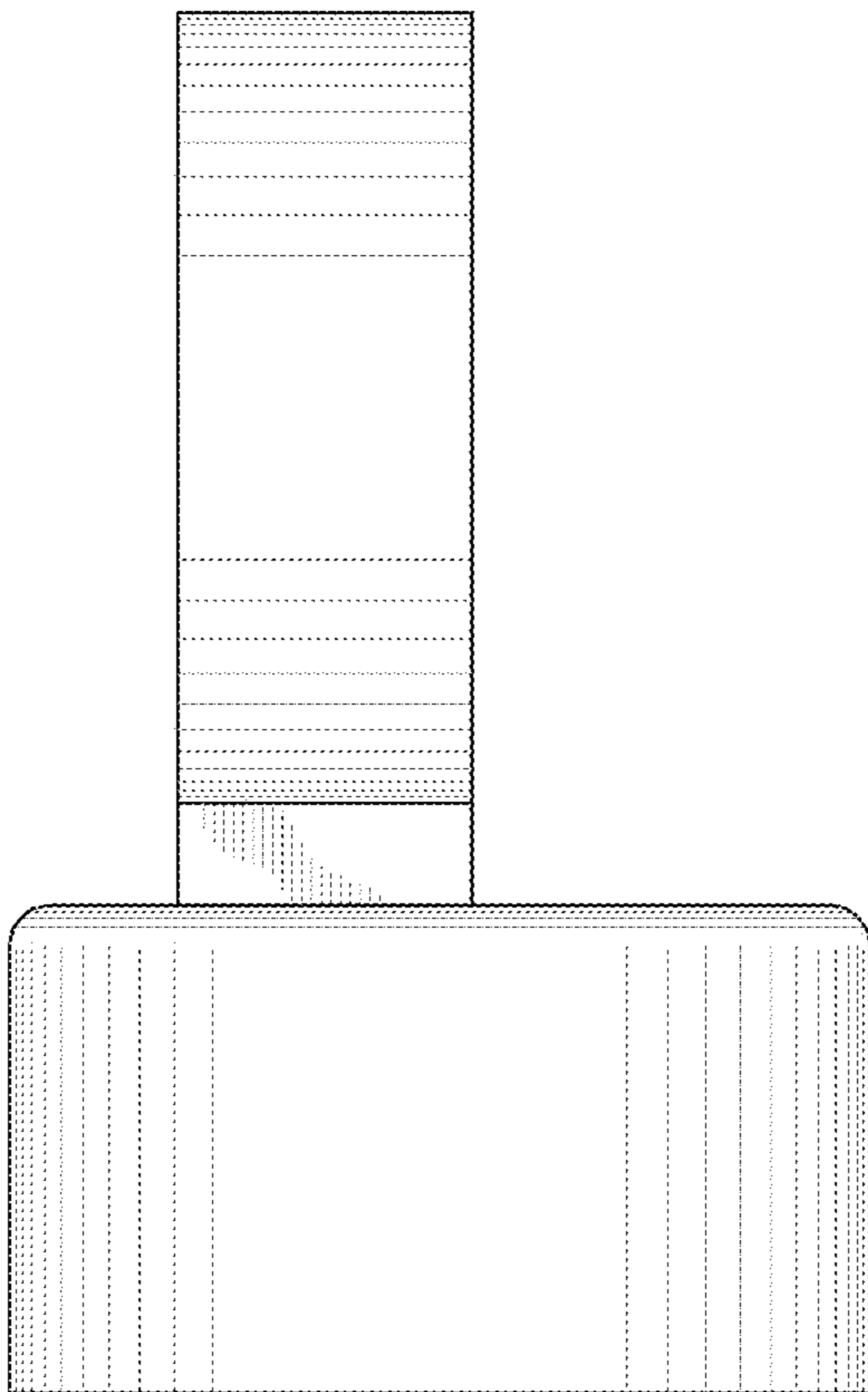


FIG. 4

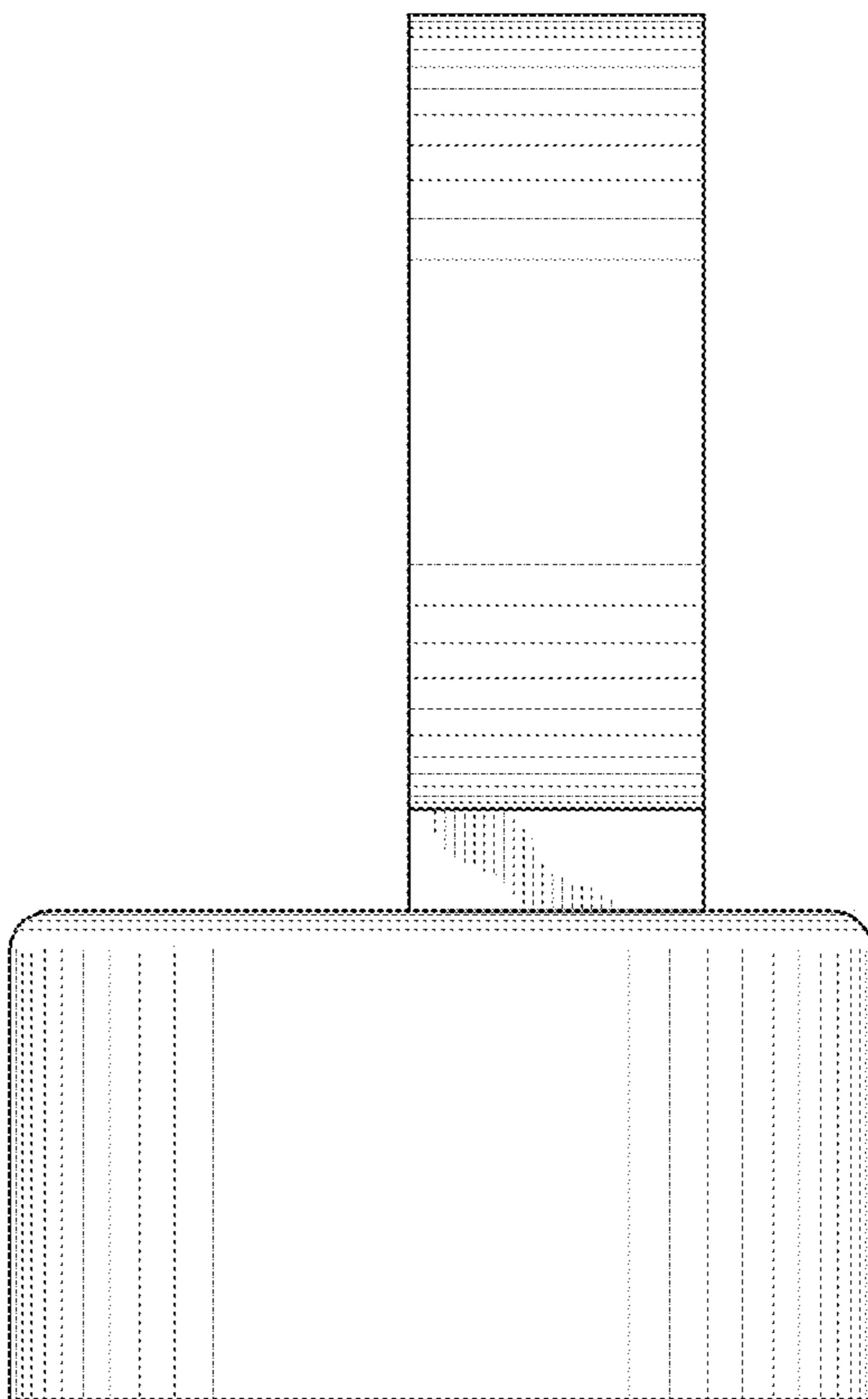


FIG. 5

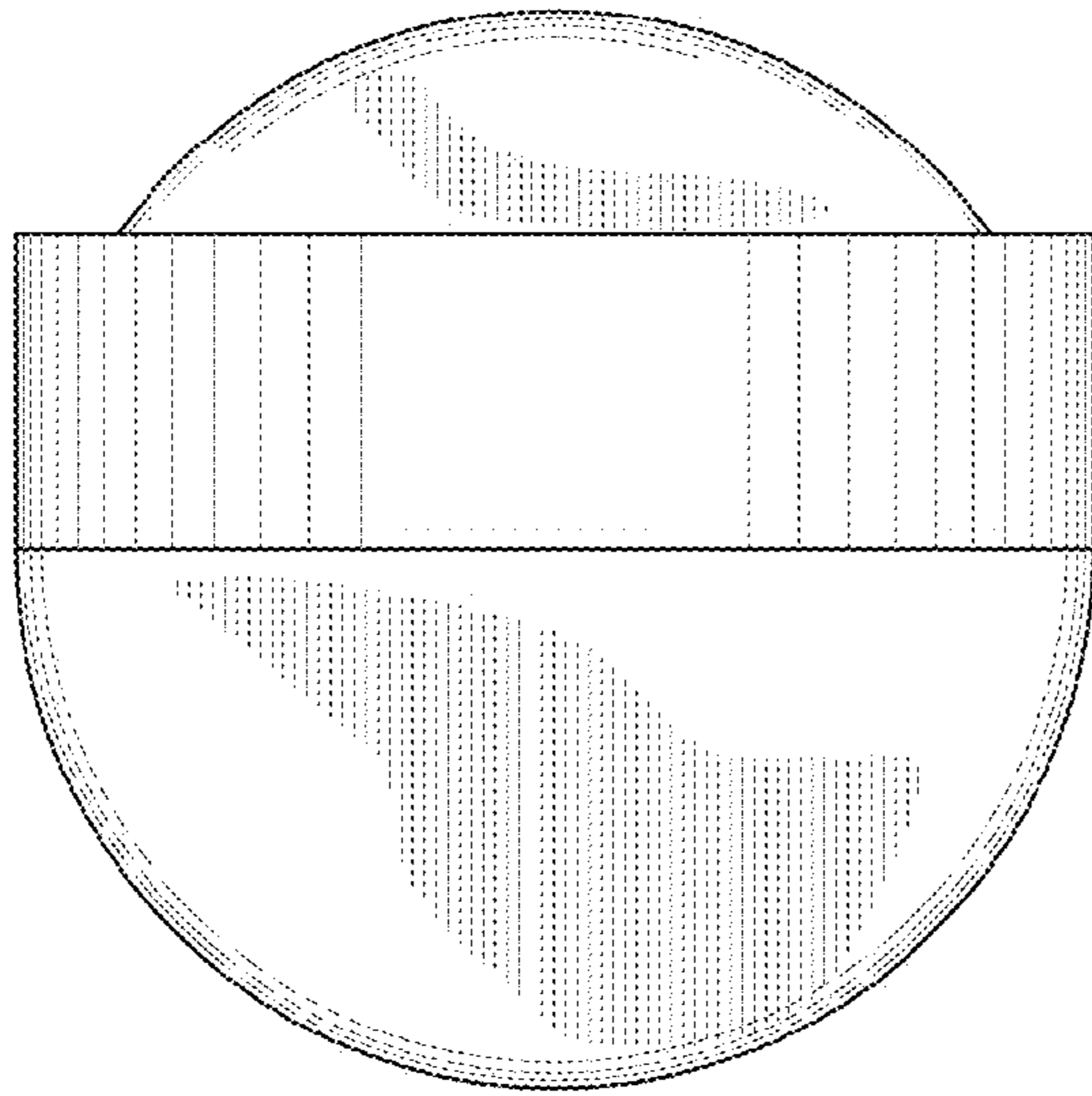


FIG. 6

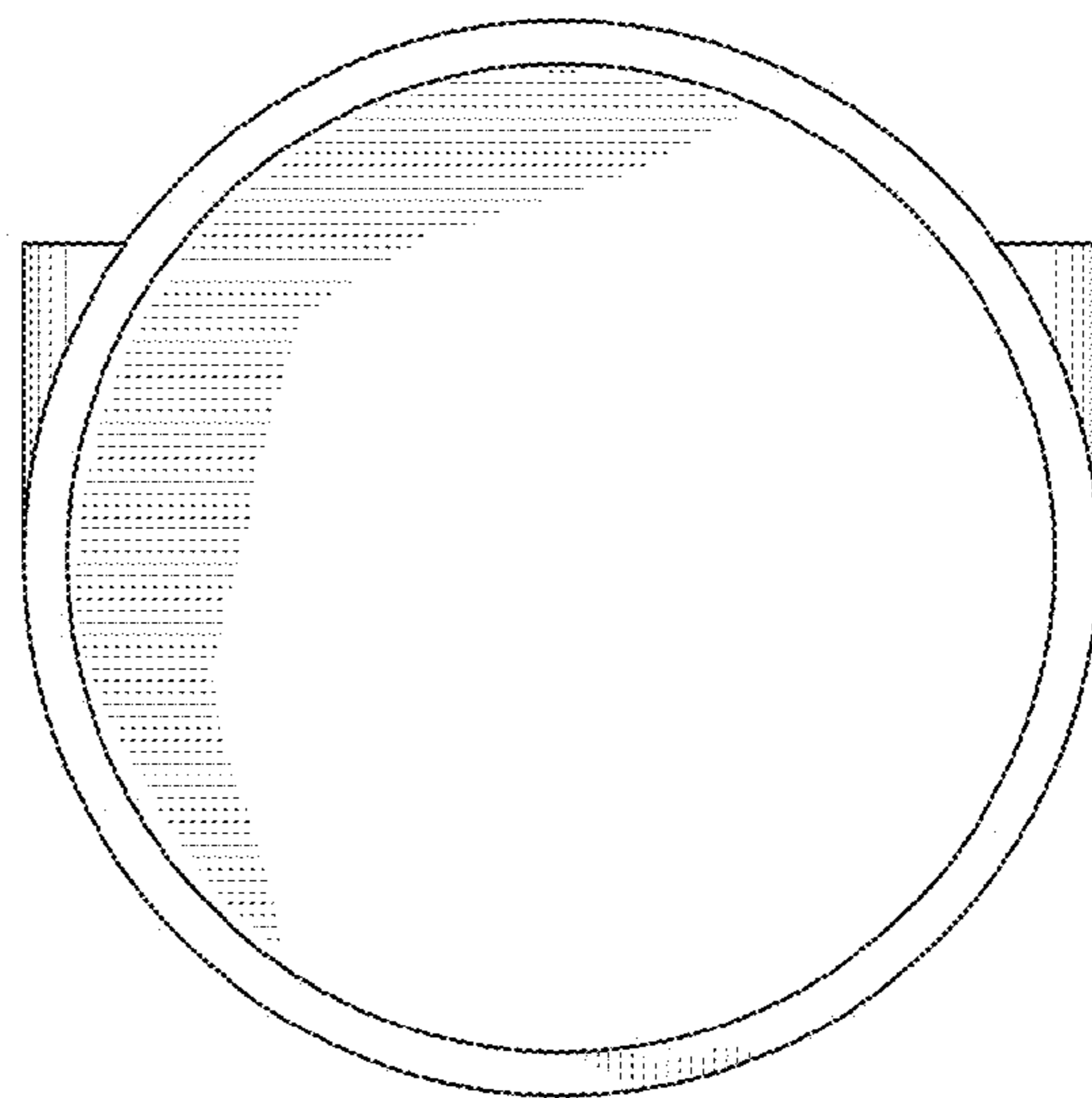


FIG. 7

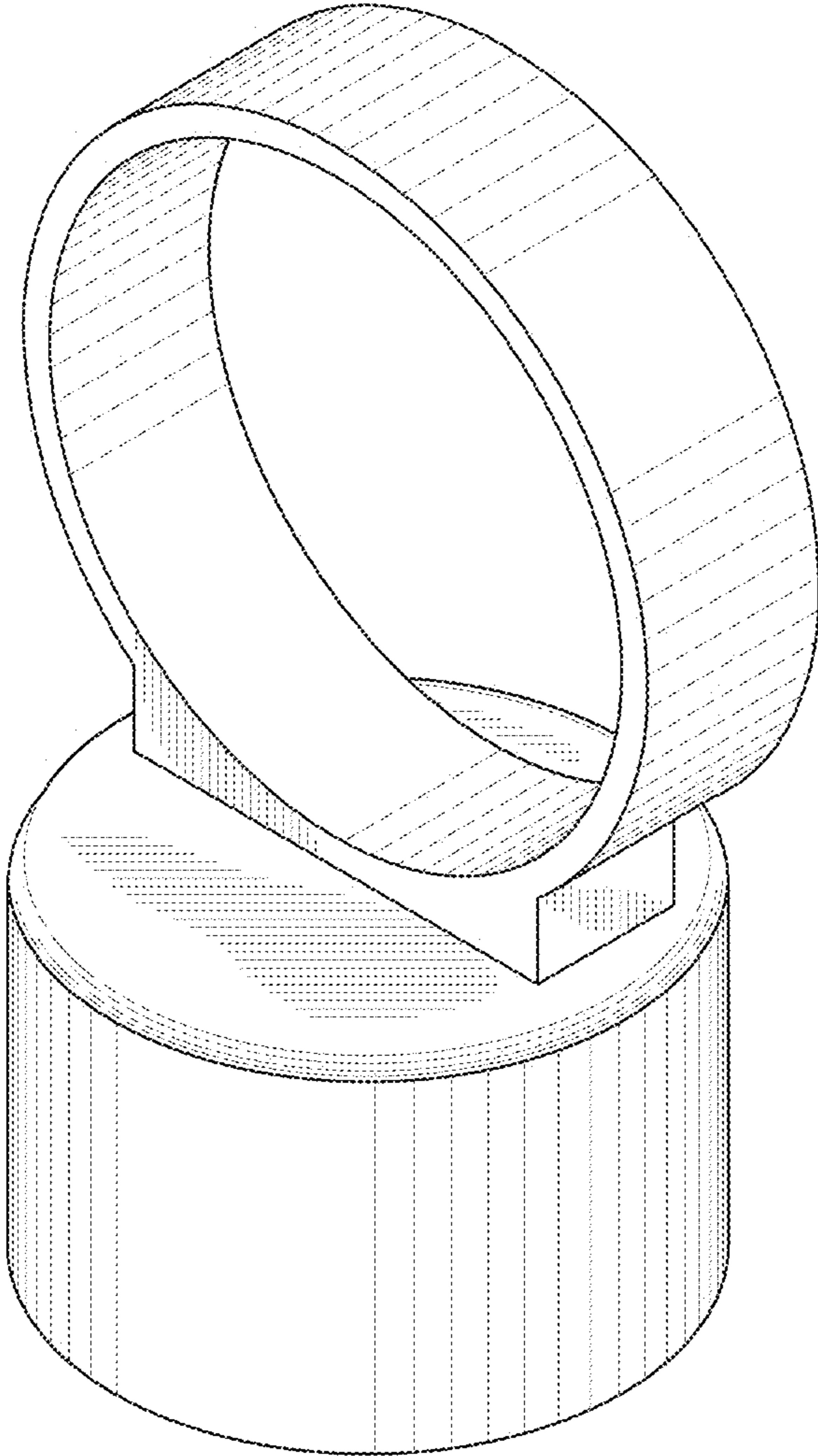


FIG. 8

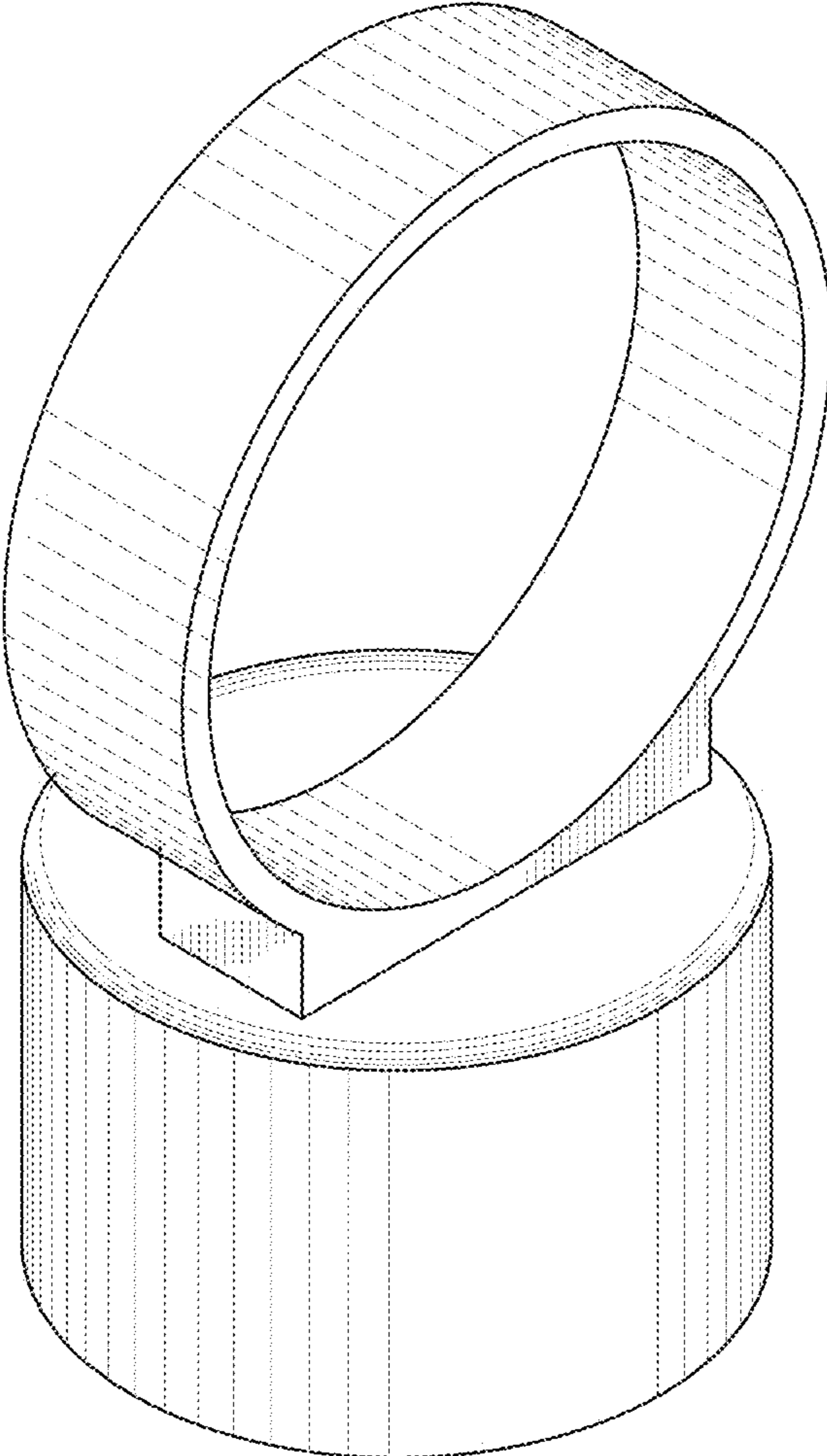


FIG. 9

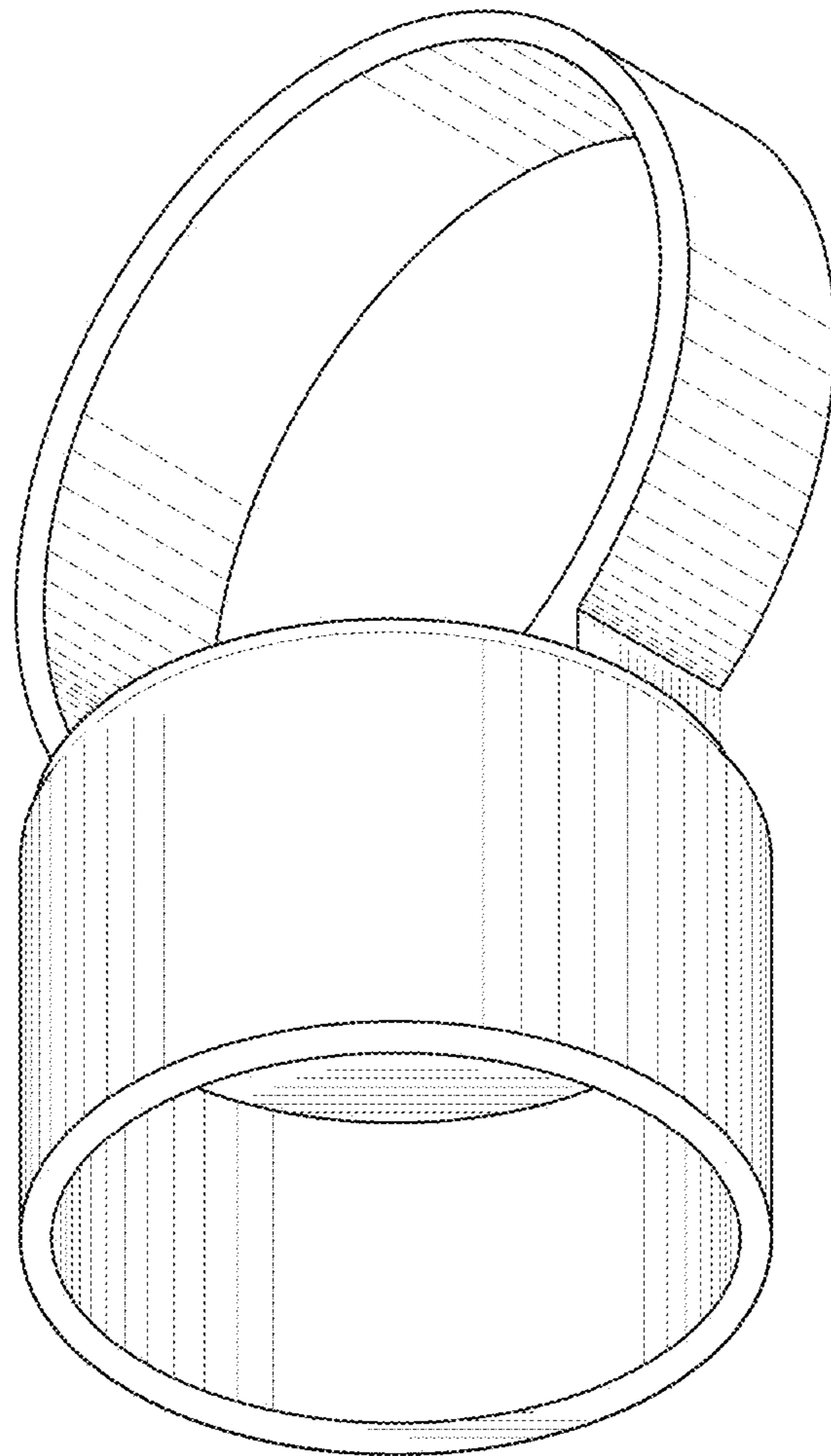


FIG. 10

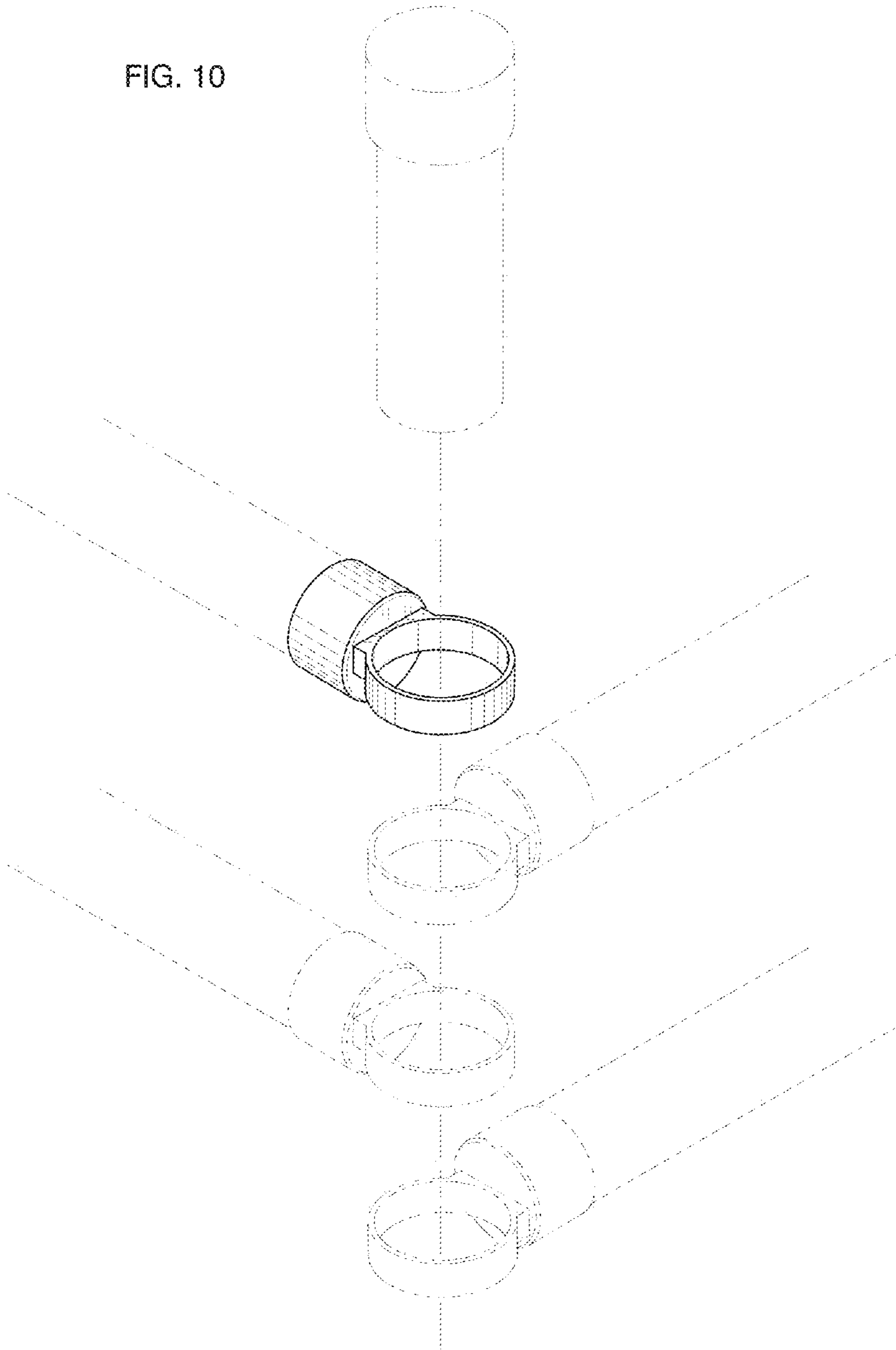


FIG. 11

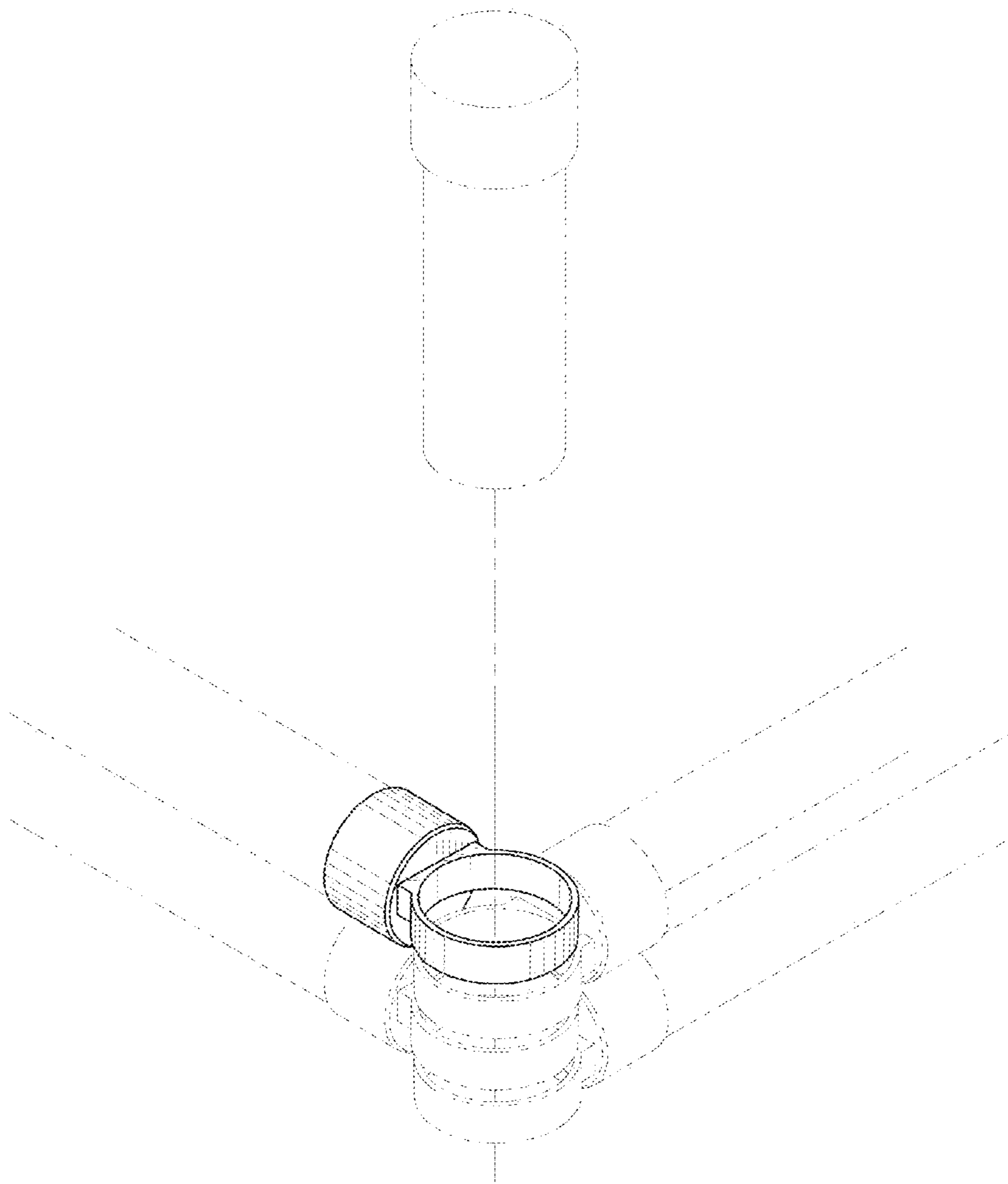


FIG. 12

