



US00D700503S

(12) **United States Design Patent**  
**Furling et al.**

(10) **Patent No.:** **US D700,503 S**  
(45) **Date of Patent:** **\*\* Mar. 4, 2014**

(54) **FASTENING, SUPPORTING OR MOUNTING  
DEVICE**

(56) **References Cited**

U.S. PATENT DOCUMENTS

(75) Inventors: **Andreas Furling**, Kagiswill (CH);  
**Marcel Amrein**, Kagiswill (CH); **Lukas  
Gisler**, Kagiswill (CH)

D379,609 S *	6/1997	Nease, III	D12/162
D380,219 S *	6/1997	Kinnard	D15/140
D389,154 S *	1/1998	Williamson	D14/229
D409,018 S *	5/1999	Deuschle	D6/466
D454,136 S *	3/2002	Deuschle	D14/447
D456,415 S *	4/2002	Deuschle	D14/447
D530,333 S *	10/2006	Richter	D14/447
D563,693 S *	3/2008	Calleja	D6/466
D565,980 S *	4/2008	Reeson et al.	D10/74
D572,571 S *	7/2008	Terada et al.	D8/354
D580,804 S *	11/2008	Gretton	D10/74
D599,190 S *	9/2009	Huang	D8/354
D616,727 S *	6/2010	Chou	D8/354
D622,131 S *	8/2010	Tezak et al.	D8/349

(73) Assignee: **Leister Technologies AG**, Kagiswil  
(CH)

(\*\*) Term: **14 Years**

(21) Appl. No.: **29/428,190**

(22) Filed: **Jul. 27, 2012**

(30) **Foreign Application Priority Data**

May 31, 2012 (EM) ..... 002050476-0001

(51) **LOC (10) Cl.** ..... **08-05**

(52) **U.S. Cl.**  
USPC ..... **D8/354**

(58) **Field of Classification Search**

USPC ..... D8/349, 354, 380, 382, 366, 363, 371,  
D8/373, 376; 248/300, 237, 309.1, 200,  
248/205.1, 207, 214, 235, 247, 351,  
248/220.41; 52/188, 182, 191, 702, 712,  
52/745.06, 189, 506.5, 586.1; 29/428,  
29/525.01, 464; 249/14, 205, 208;  
403/167, 169; 211/86.01, 90.01, 105.1,  
211/193, 134; 108/152; 40/642.02;  
D12/400, 223, 159; D15/21, 28

See application file for complete search history.

\* cited by examiner

*Primary Examiner* — Mark Goodwin

(74) *Attorney, Agent, or Firm* — Cascio & Zervas

(57) **CLAIM**

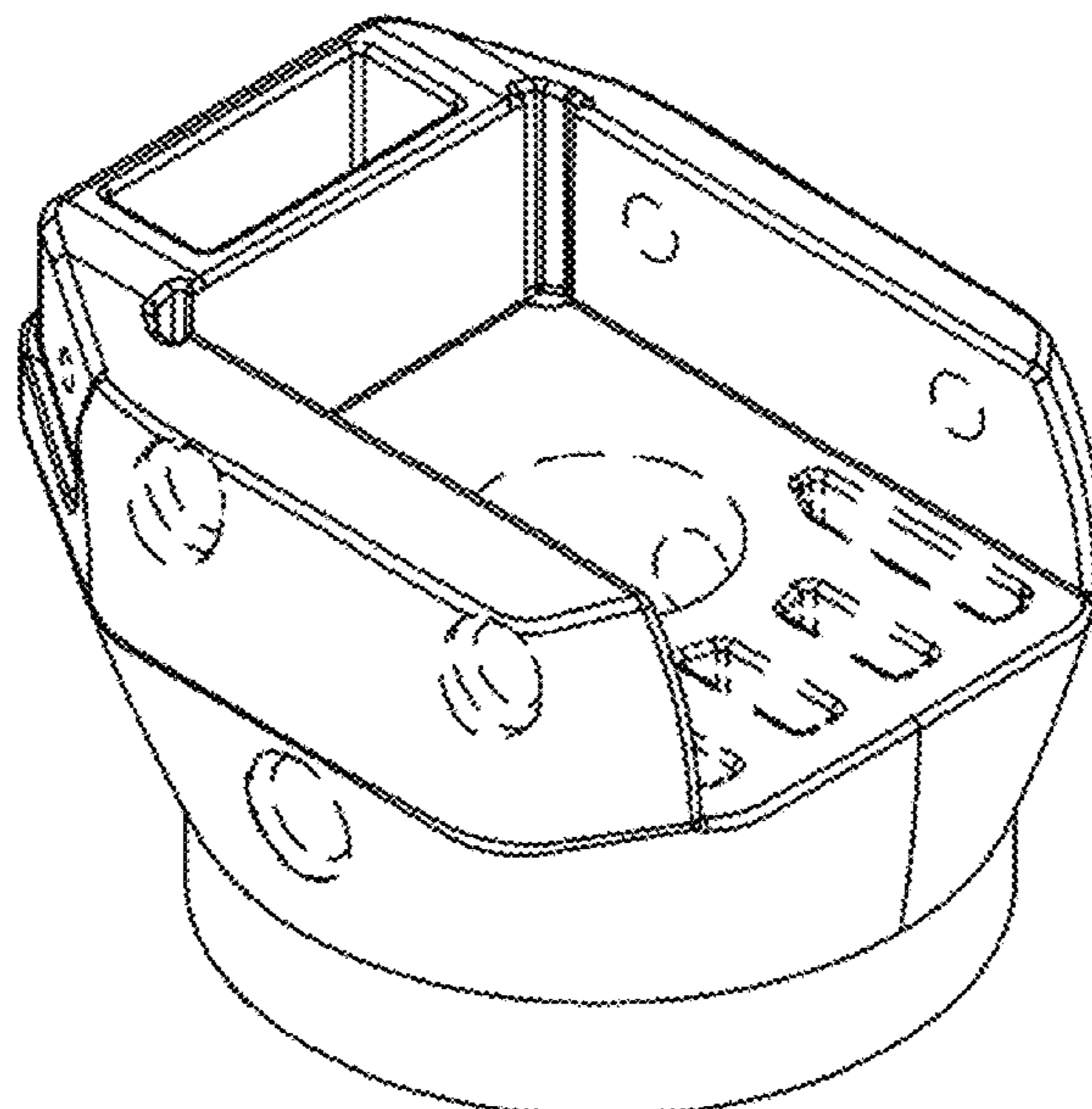
The ornamental design for fastening, supporting or mounting device, as shown and described.

**DESCRIPTION**

FIG. 1 is a perspective view of a fastening, supporting or mounting device showing our design;  
FIG. 2 is a left side elevational view thereof;  
FIG. 3 is a right side elevational view thereof;  
FIG. 4 is a rear elevational view thereof;  
FIG. 5 is a front elevational view thereof;  
FIG. 6 is a bottom plan view thereof; and,  
FIG. 7 is a top plan view thereof.

The broken lines in the figures are for illustration purposes only and form no part of the claimed design.

**1 Claim, 4 Drawing Sheets**



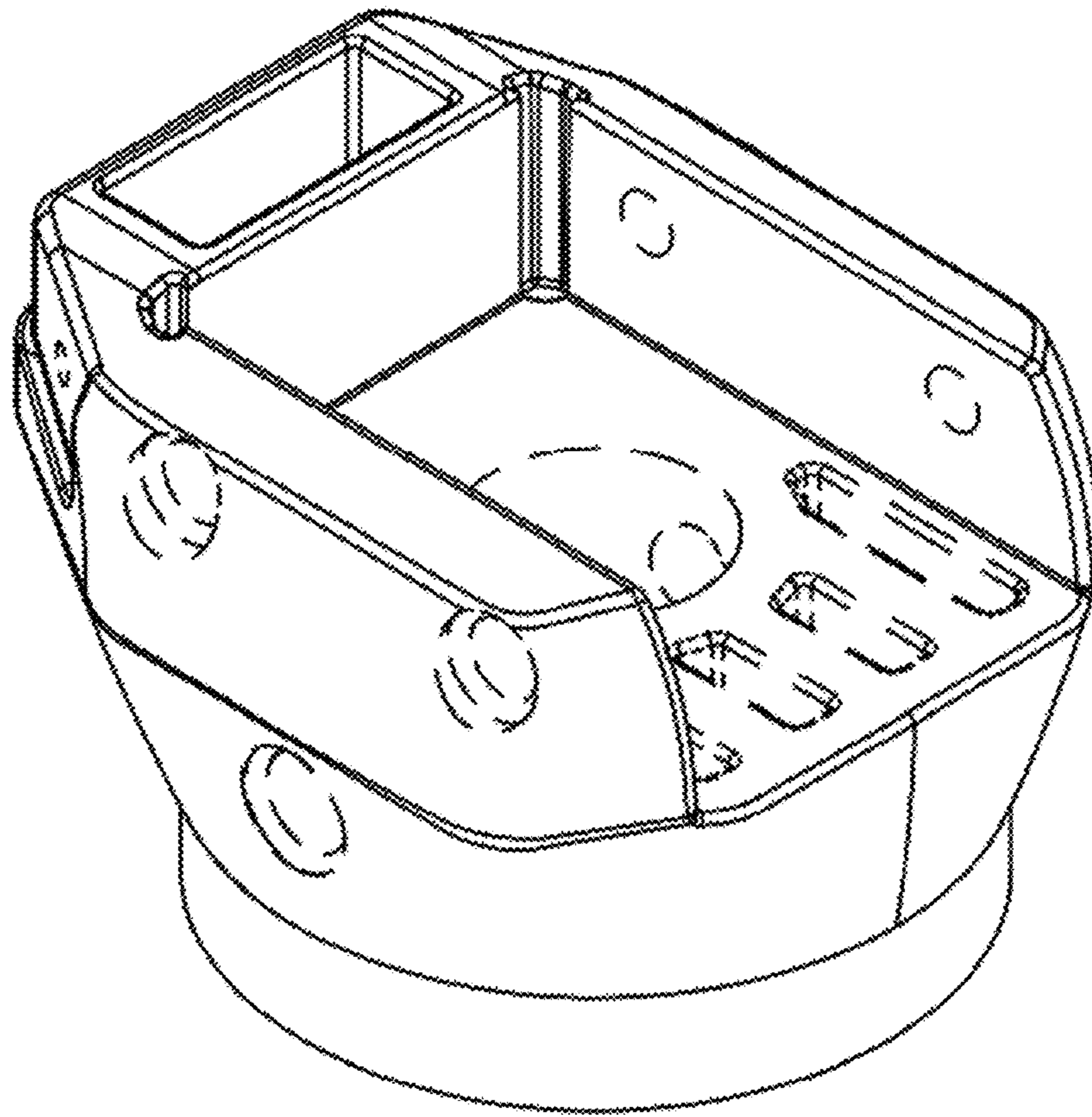


FIG. 1

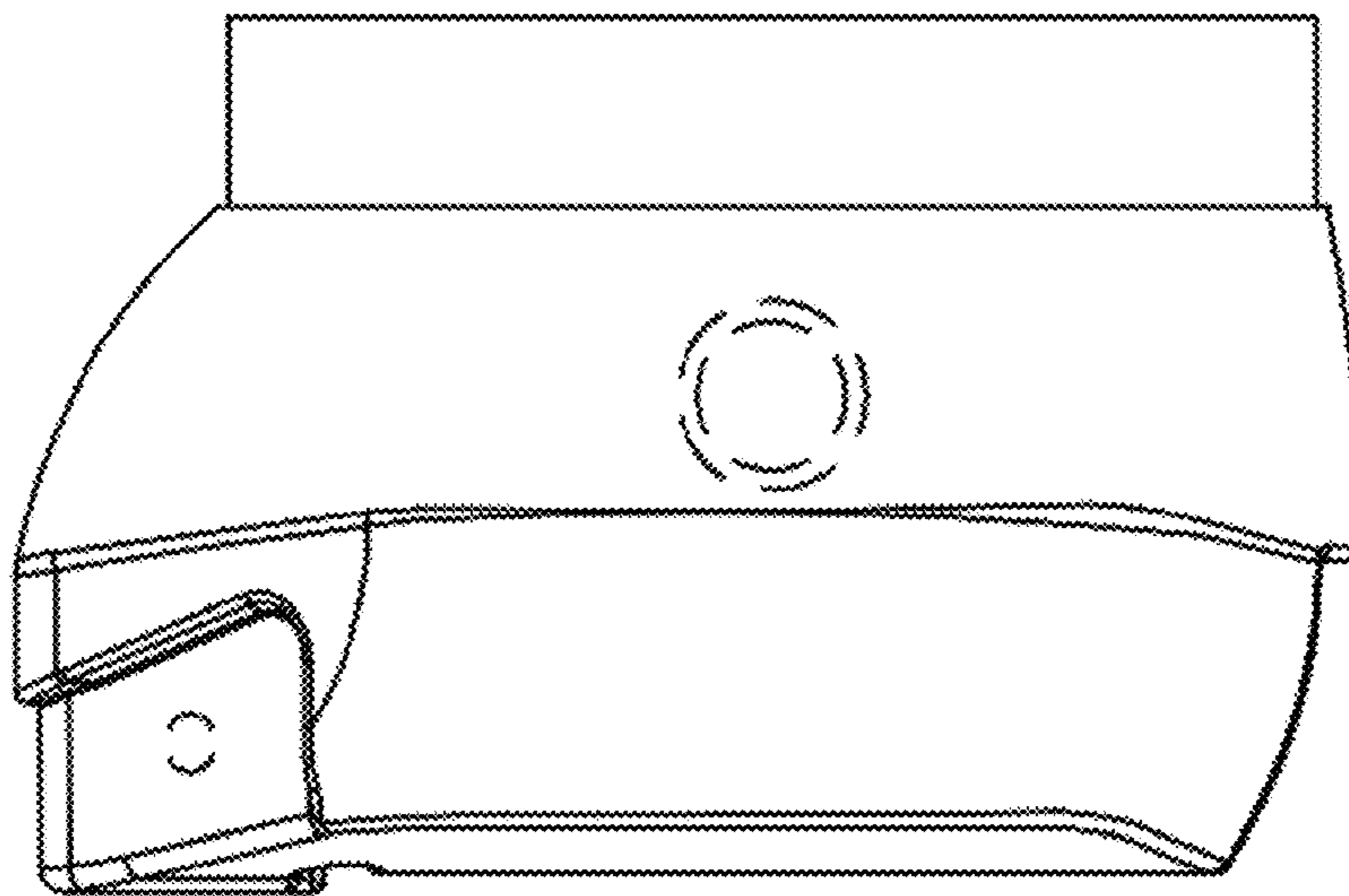
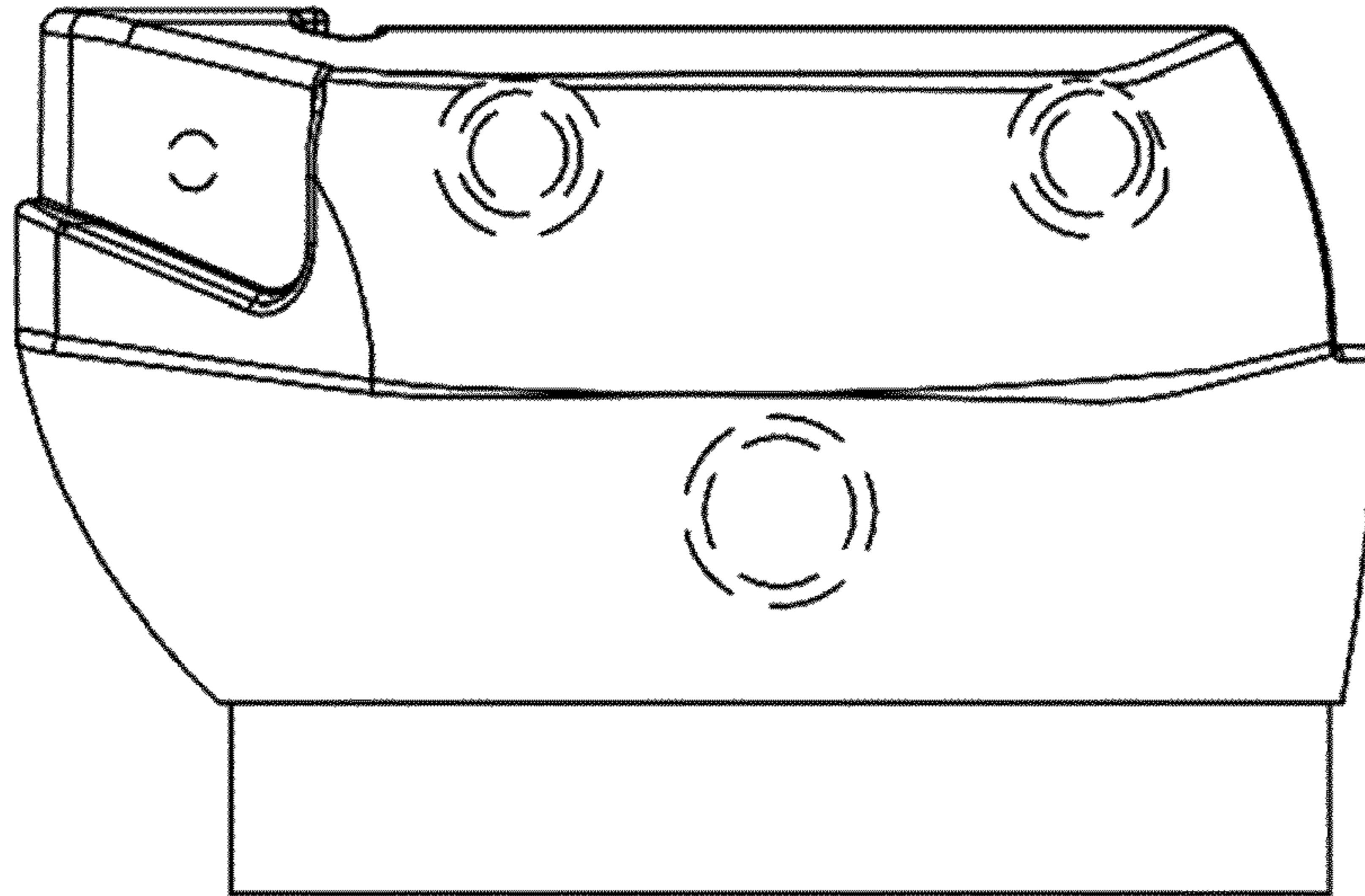
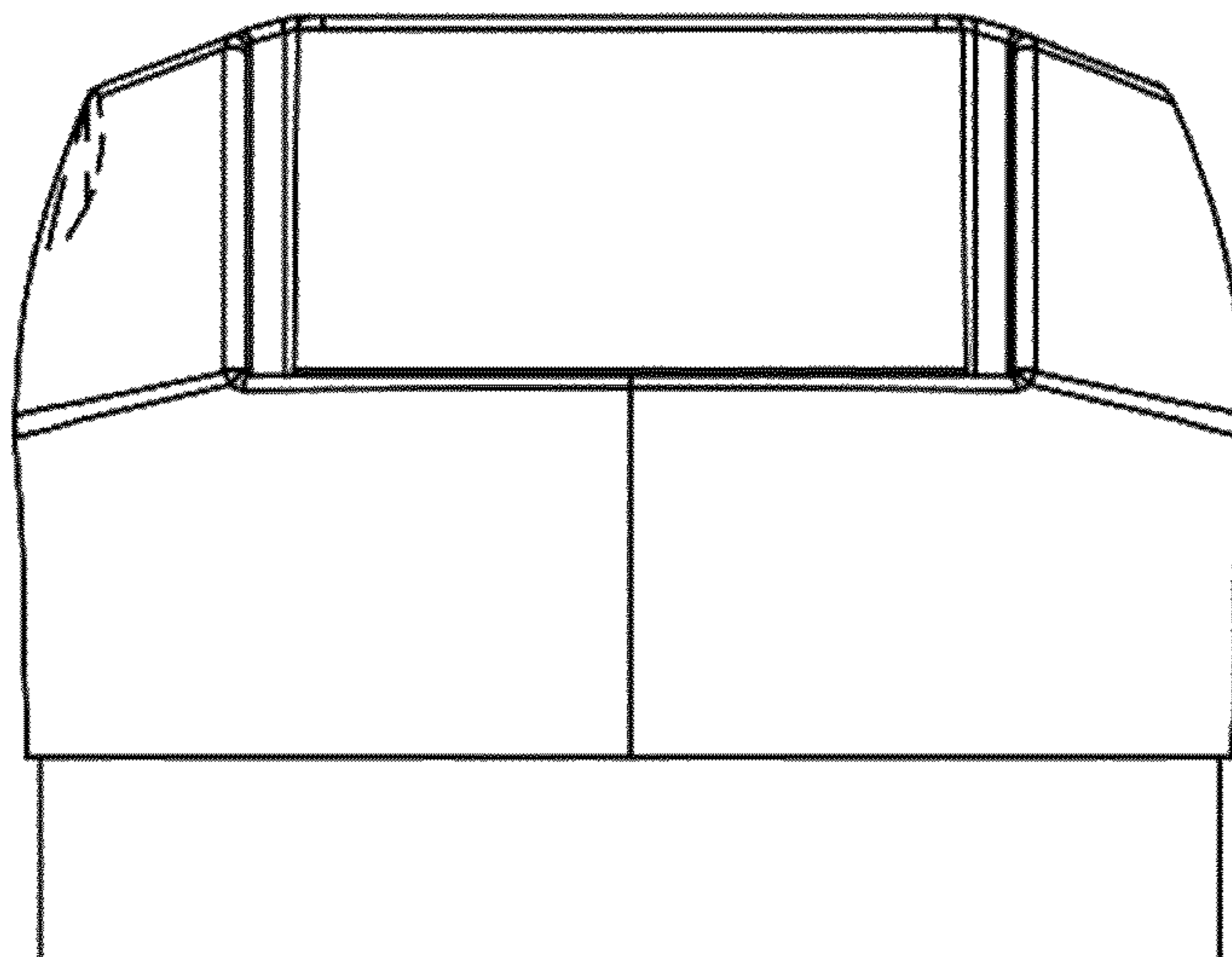


FIG. 2



**FIG. 3**



**FIG. 4**

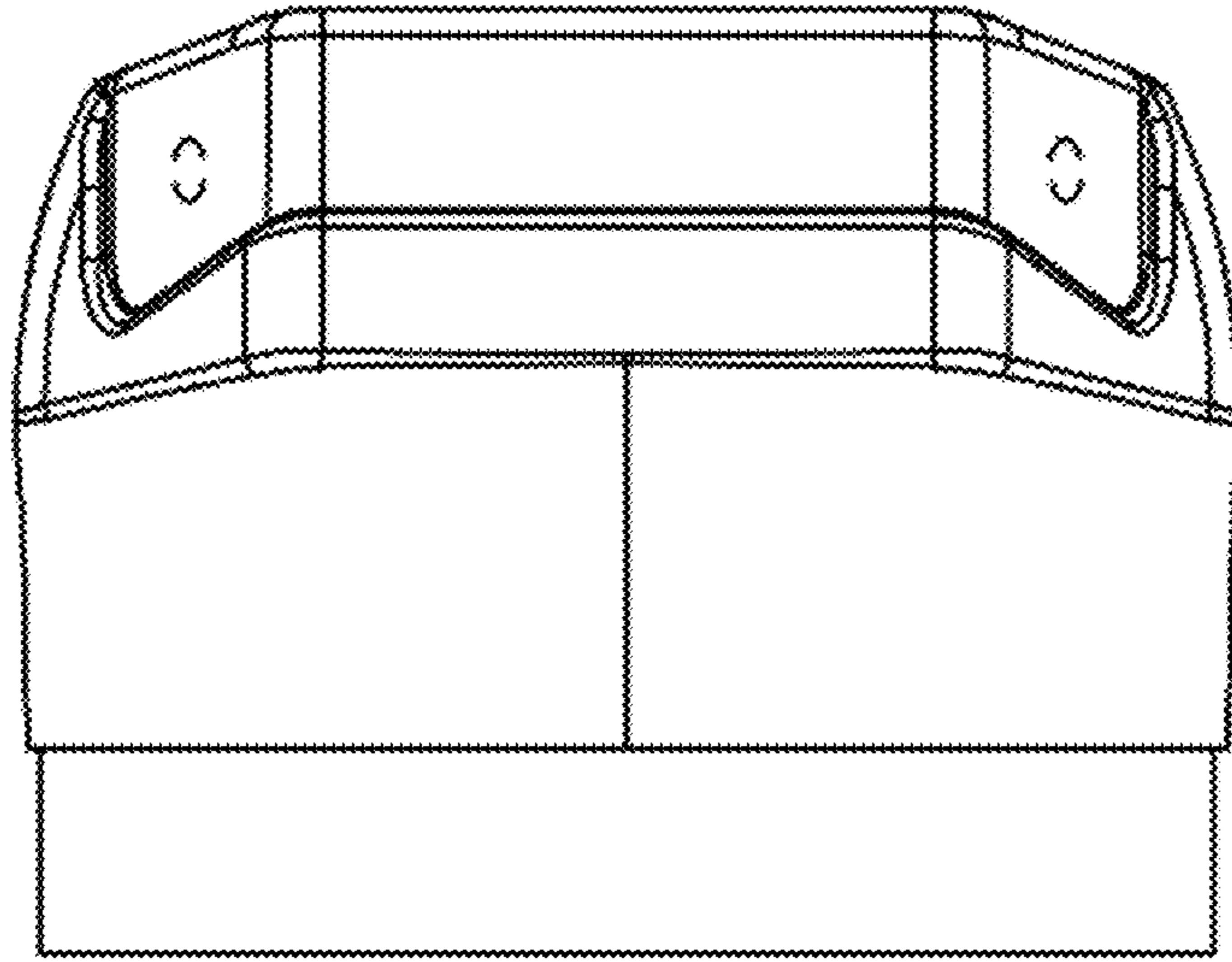


FIG. 5

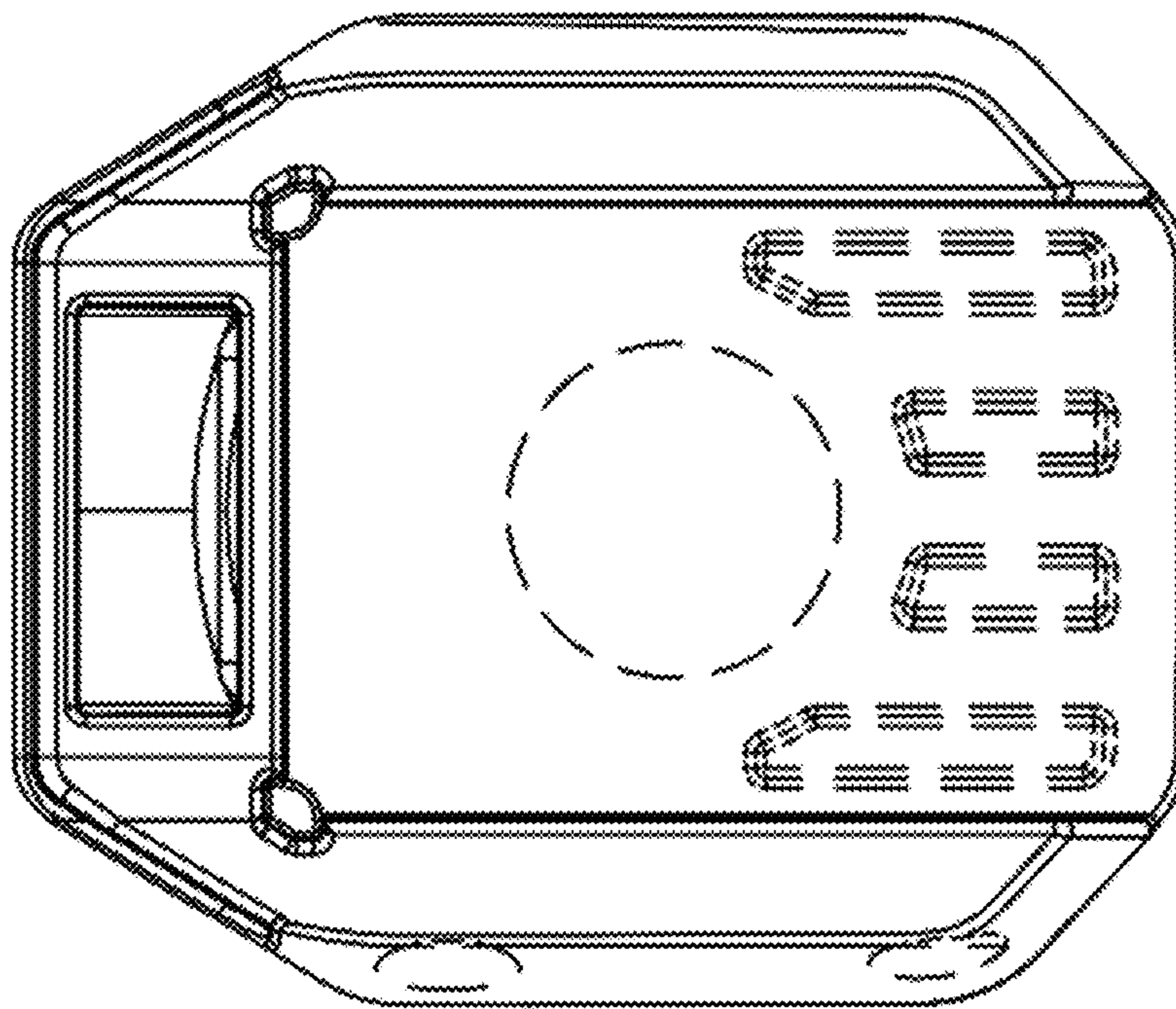


FIG. 6

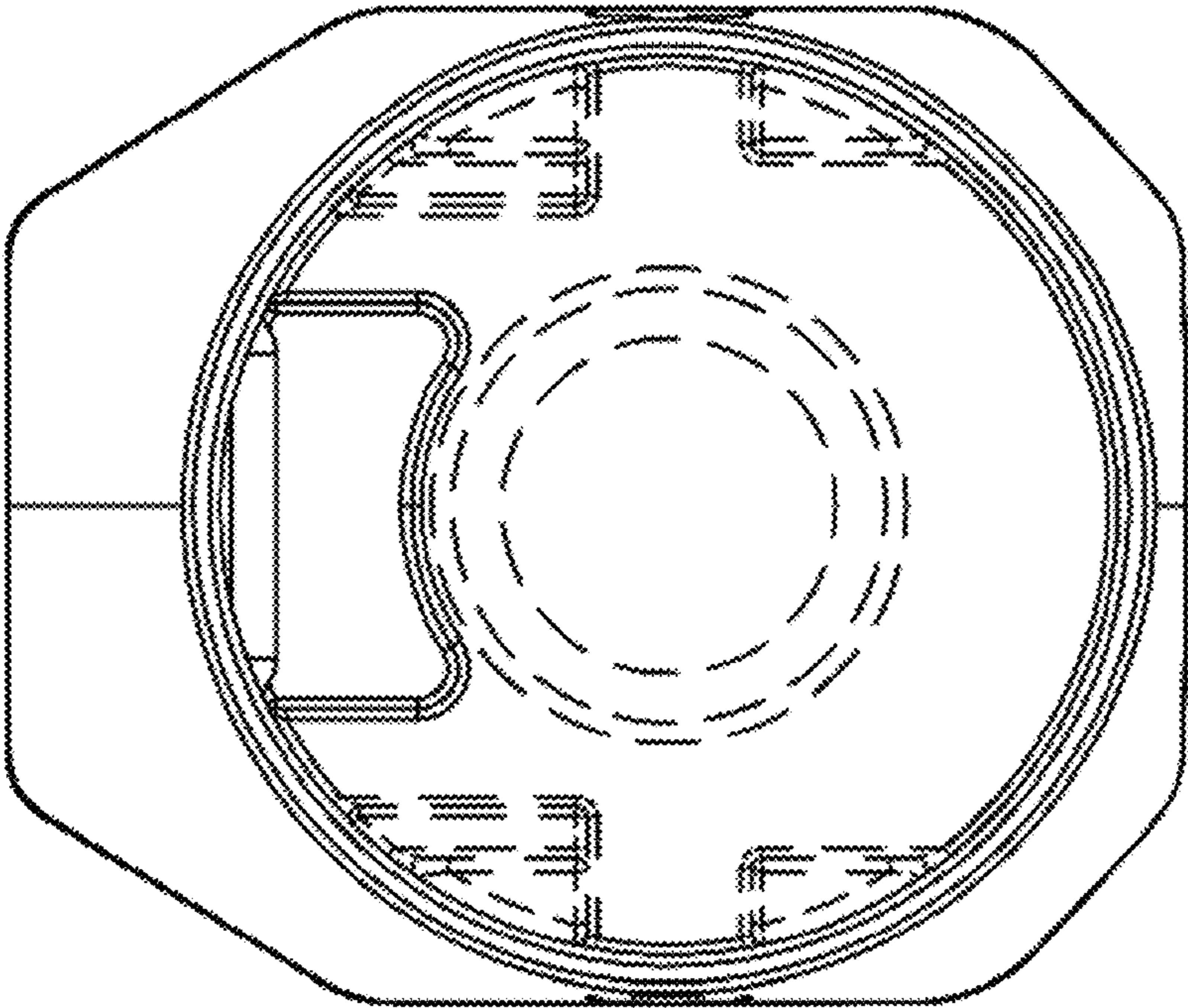


FIG. 7