



US00D700502S

(12) **United States Design Patent**
Smith

(10) **Patent No.:** **US D700,502 S**
(45) **Date of Patent:** **** Mar. 4, 2014**

(54) **MOBILE DEVICE MOUNT CLIP ASSEMBLY**

Primary Examiner — Mark Goodwin

(76) Inventor: **David Smith**, El Dorado Hills, CA (US)

(**) Term: **14 Years**

(21) Appl. No.: **29/407,369**

(22) Filed: **Nov. 28, 2011**

(51) **LOC (10) Cl.** **08-08**

(52) **U.S. Cl.**
USPC **D8/349; D8/354**

(58) **Field of Classification Search**
USPC D8/349, 353, 354, 373, 380; 248/223.4,
248/224.3, 312.1, 220.3, 73, 188.2;
384/626; 411/539, 546, 537, 522
See application file for complete search history.

(56) **References Cited**

U.S. PATENT DOCUMENTS

5,054,170	A *	10/1991	Otrusina	24/580.11
D329,192	S *	9/1992	Susac	D8/349
D350,942	S *	9/1994	Pellet et al.	D13/182
5,375,749	A *	12/1994	Oliva	224/271
5,433,416	A *	7/1995	Johnson	248/475.1
D397,984	S *	9/1998	Pingel et al.	D12/217
5,850,996	A *	12/1998	Liang	248/221.11
6,161,741	A *	12/2000	French	224/198
7,832,606	B2 *	11/2010	Sin	224/197
D635,008	S *	3/2011	Virgin	D8/349
D658,972	S *	5/2012	Virgin	D8/349
8,474,768	B2 *	7/2013	Zhadanov et al.	248/205.4
8,544,805	B2 *	10/2013	Virgin	248/222.11

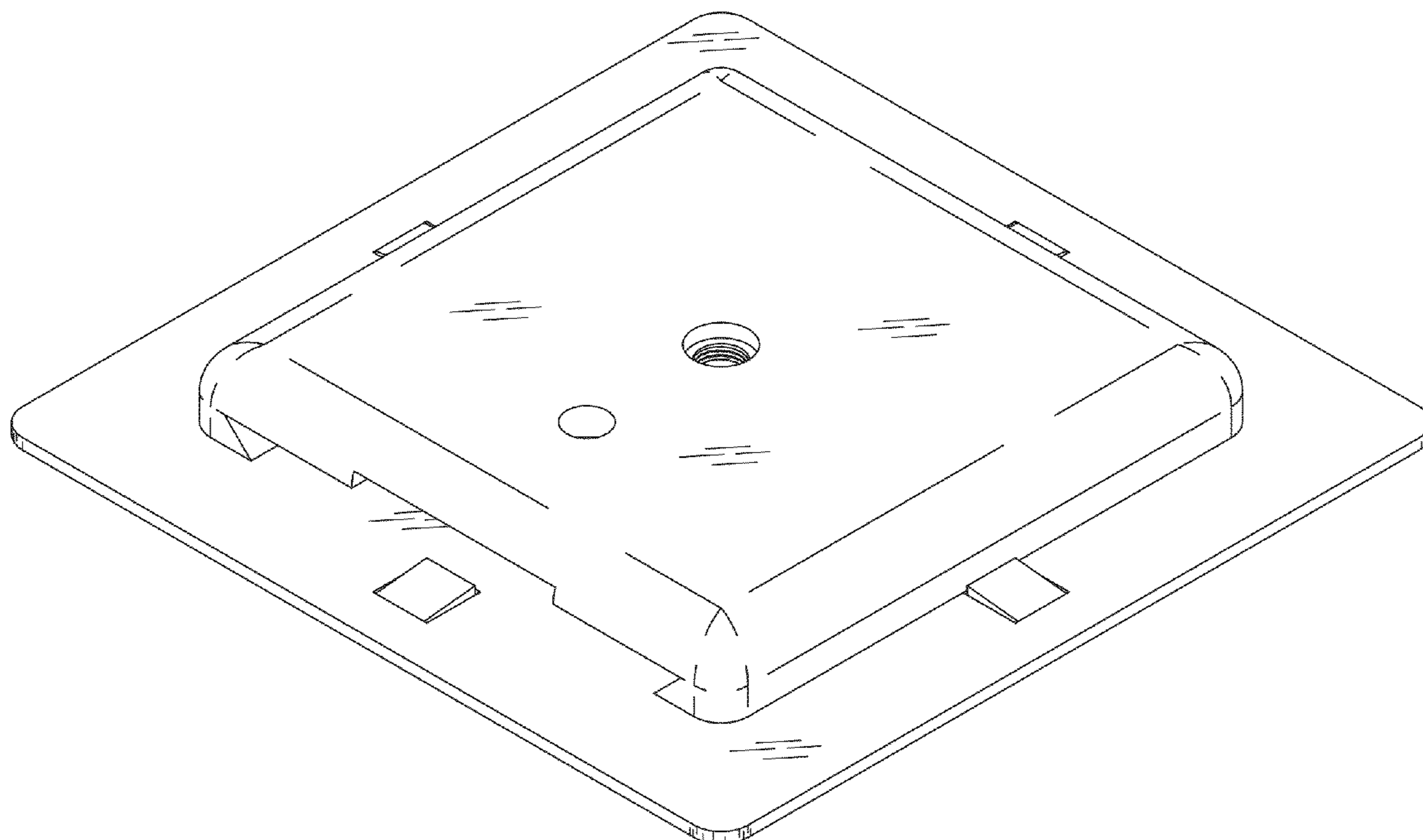
* cited by examiner

(57) **CLAIM**
The ornamental design for a mobile device mount clip assembly, as shown and described.

DESCRIPTION

FIG. 1 is a perspective view of a mobile device mount clip assembly;
FIG. 2 is a top plan view thereof;
FIG. 3 is a bottom plan view thereof;
FIG. 4 is a right-side elevational view thereof, the left-side elevational view being a mirror image;
FIG. 5 is a front elevational view thereof;
FIG. 6 is a rear elevational view thereof;
FIG. 7 is a perspective view of the bottom portion of the mobile device mount clip assembly;
FIG. 8 is a front elevational view thereof, the rear elevational view being a mirror image, the left-side elevational view being a mirror image, the right-elevational view being a mirror image;
FIG. 9 is a top plan view thereof;
FIG. 10 is a perspective view of the top portion of the mobile device mount clip assembly;
FIG. 11 is a bottom plan view thereof;
FIG. 12 is a front elevational view thereof, in which a sectional view is taken and shown in FIG. 13; and,
FIG. 13 is right-side elevational view thereof.

1 Claim, 11 Drawing Sheets



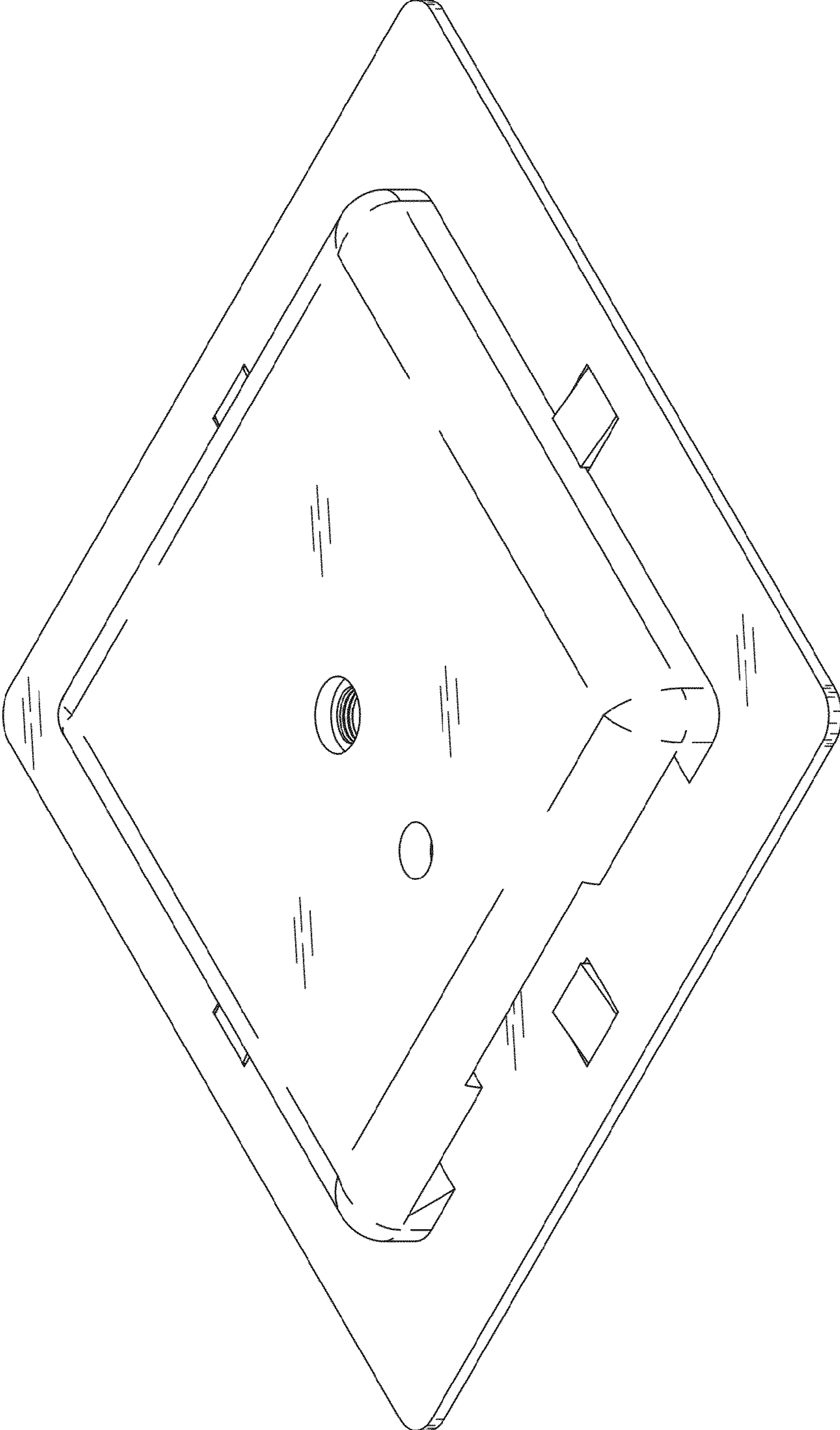


FIG. 1

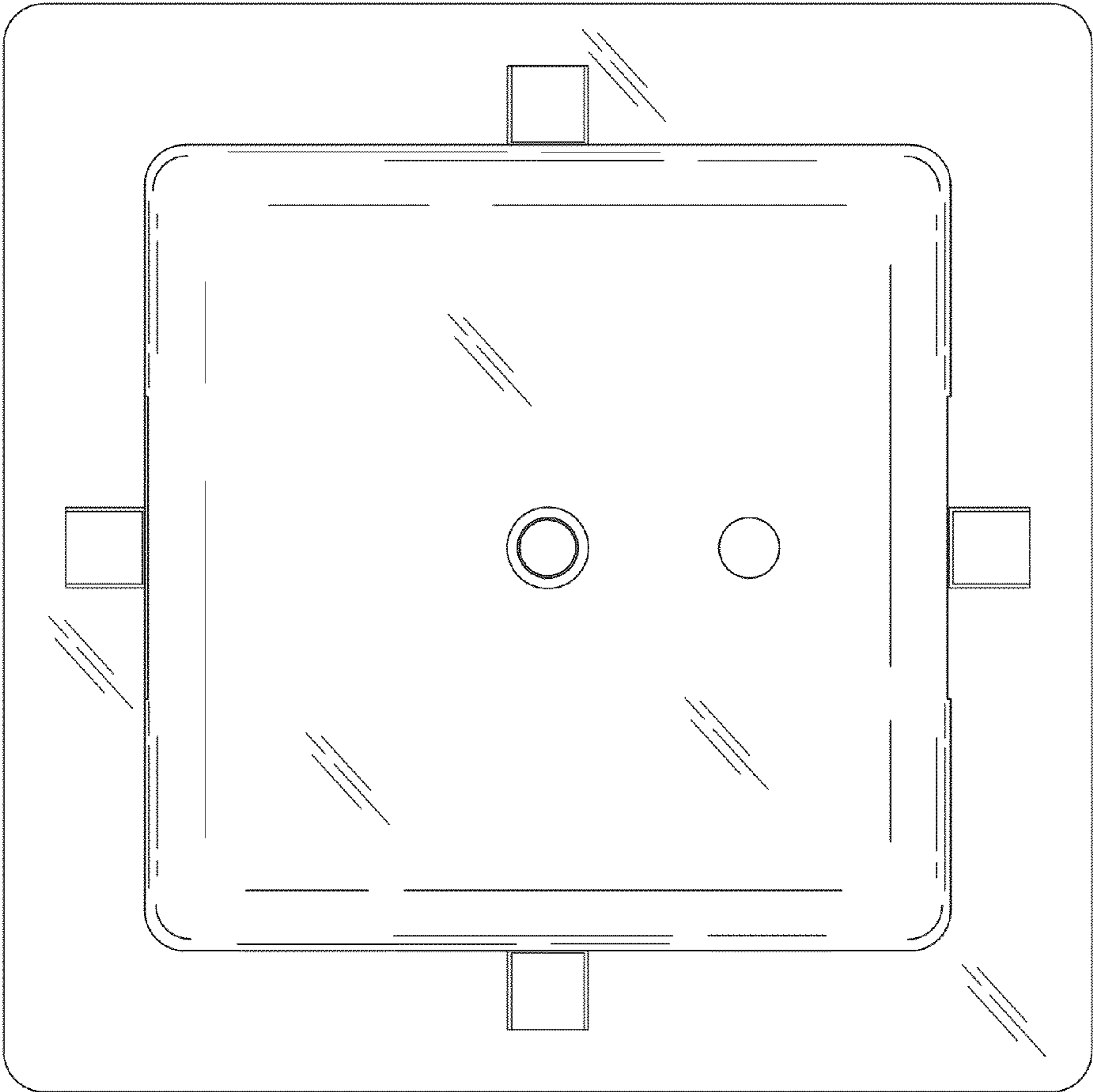


FIG. 2

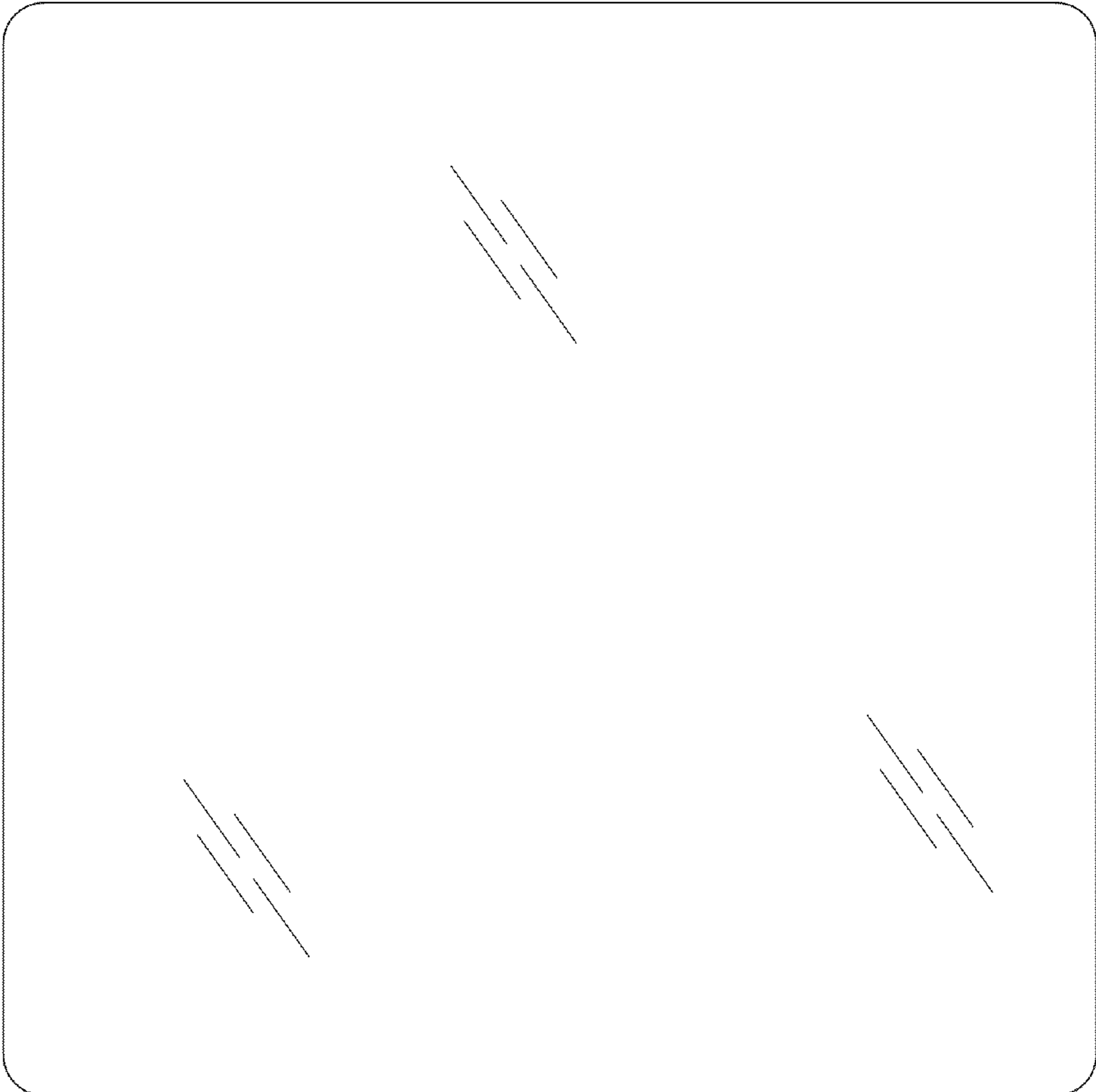


FIG. 3

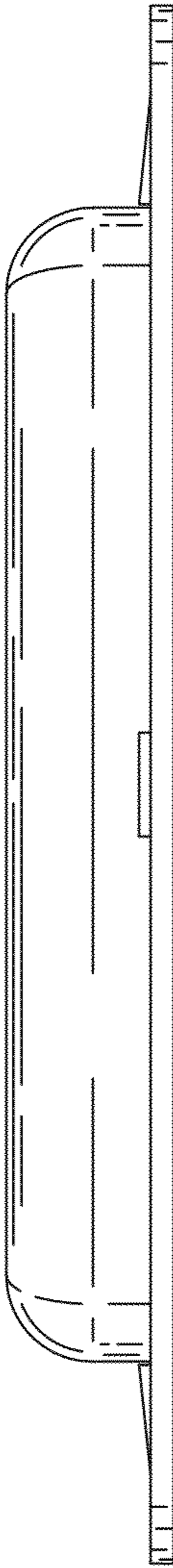


FIG. 4



FIG. 5

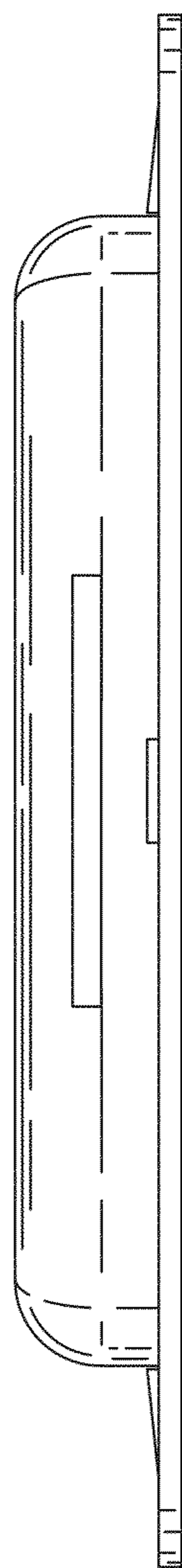


FIG. 6

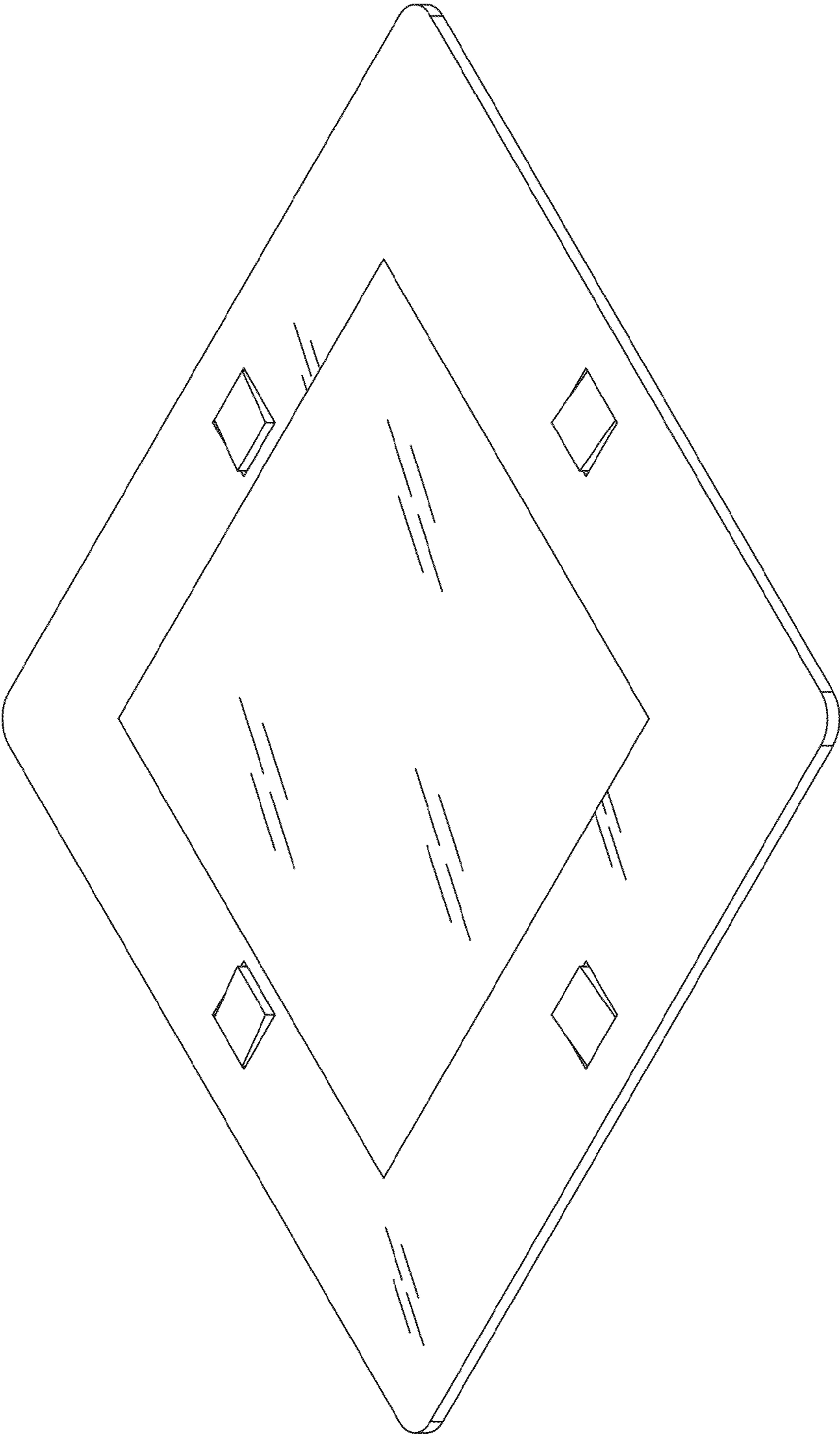


FIG. 7

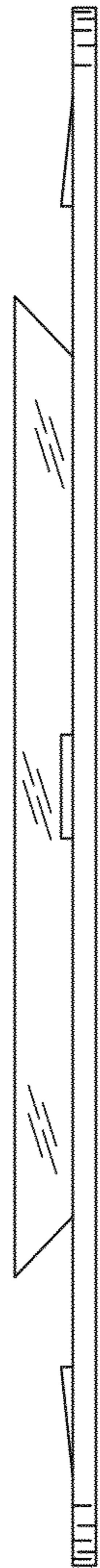


FIG. 8

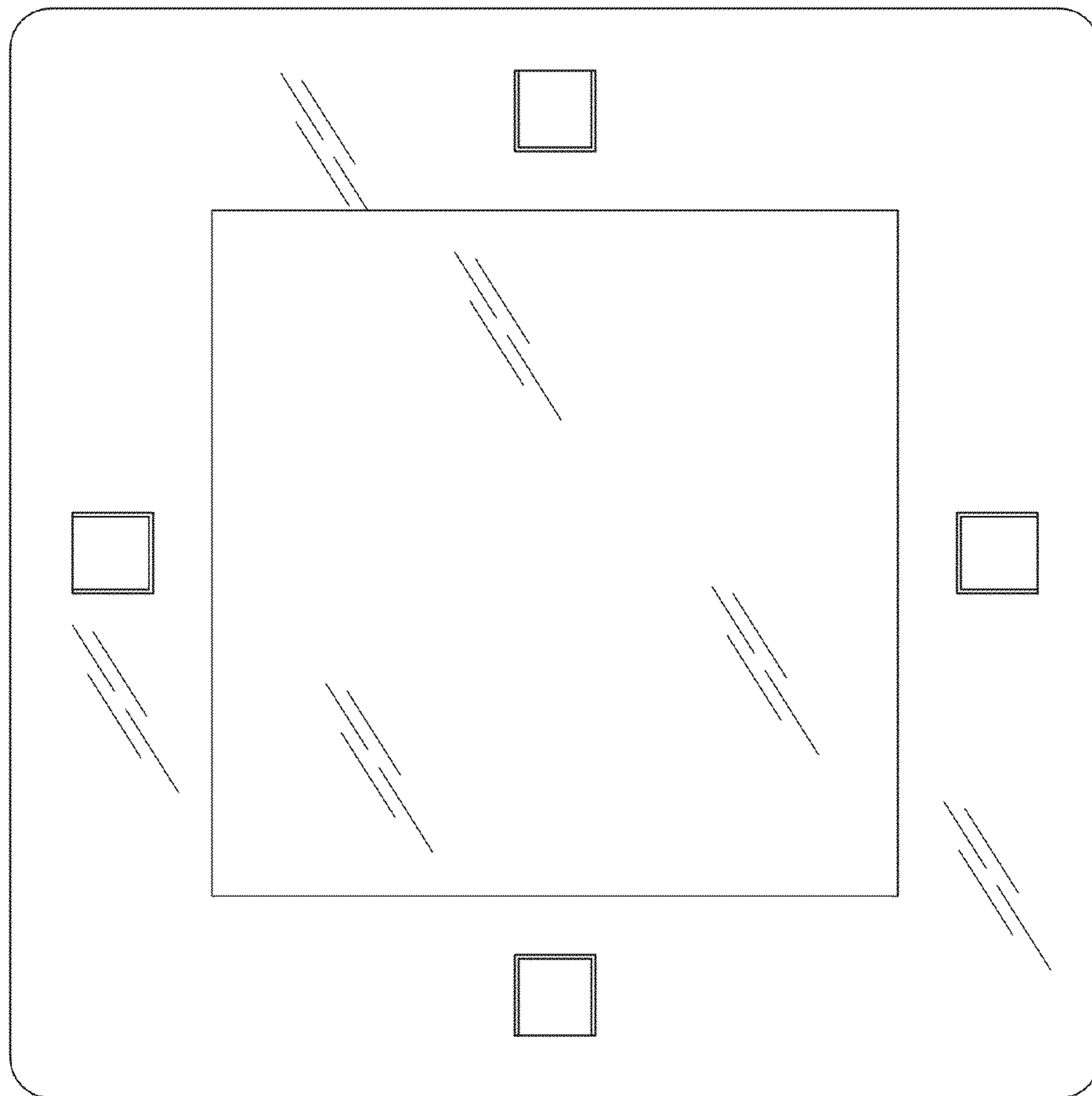


FIG. 9

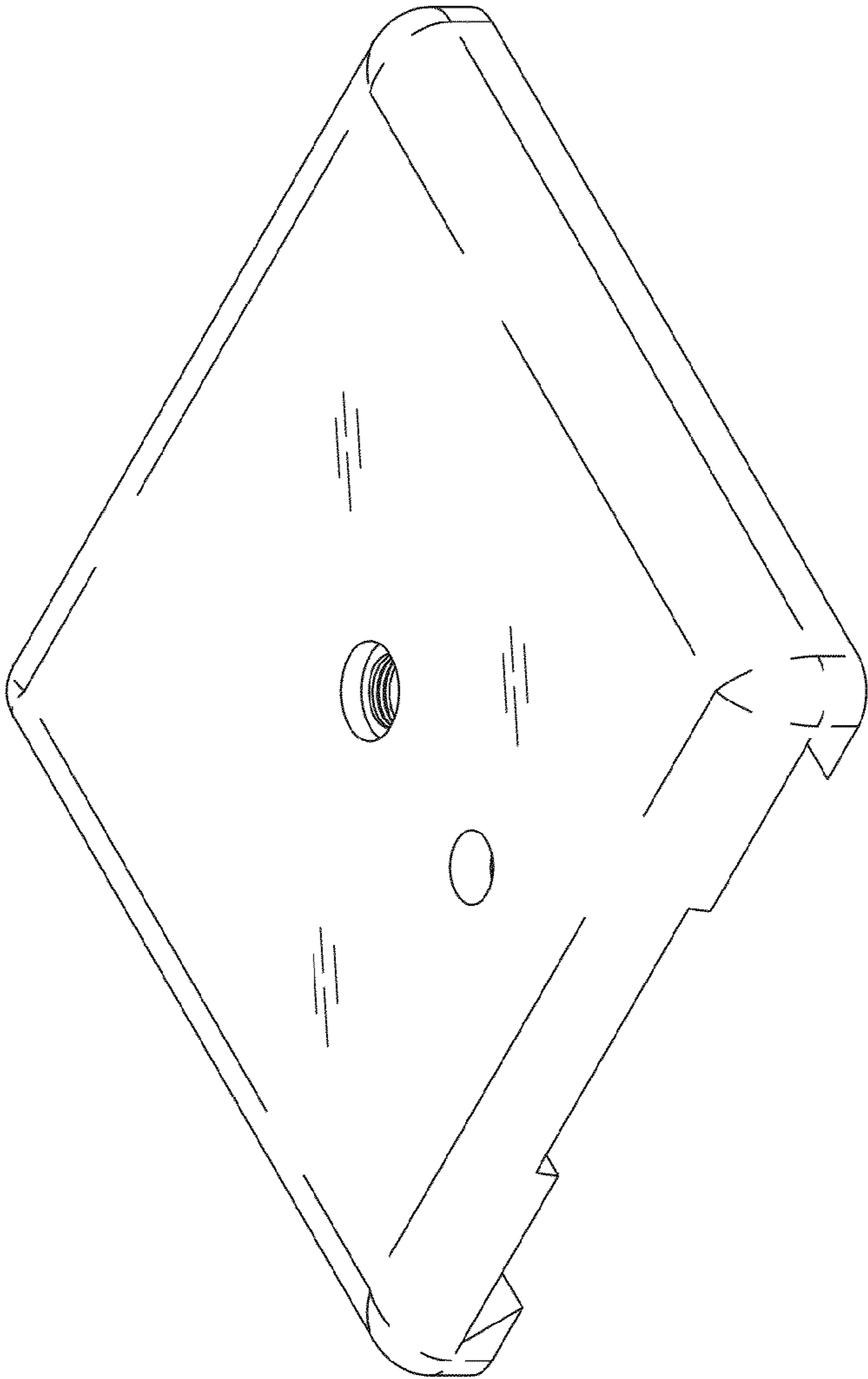


FIG. 10

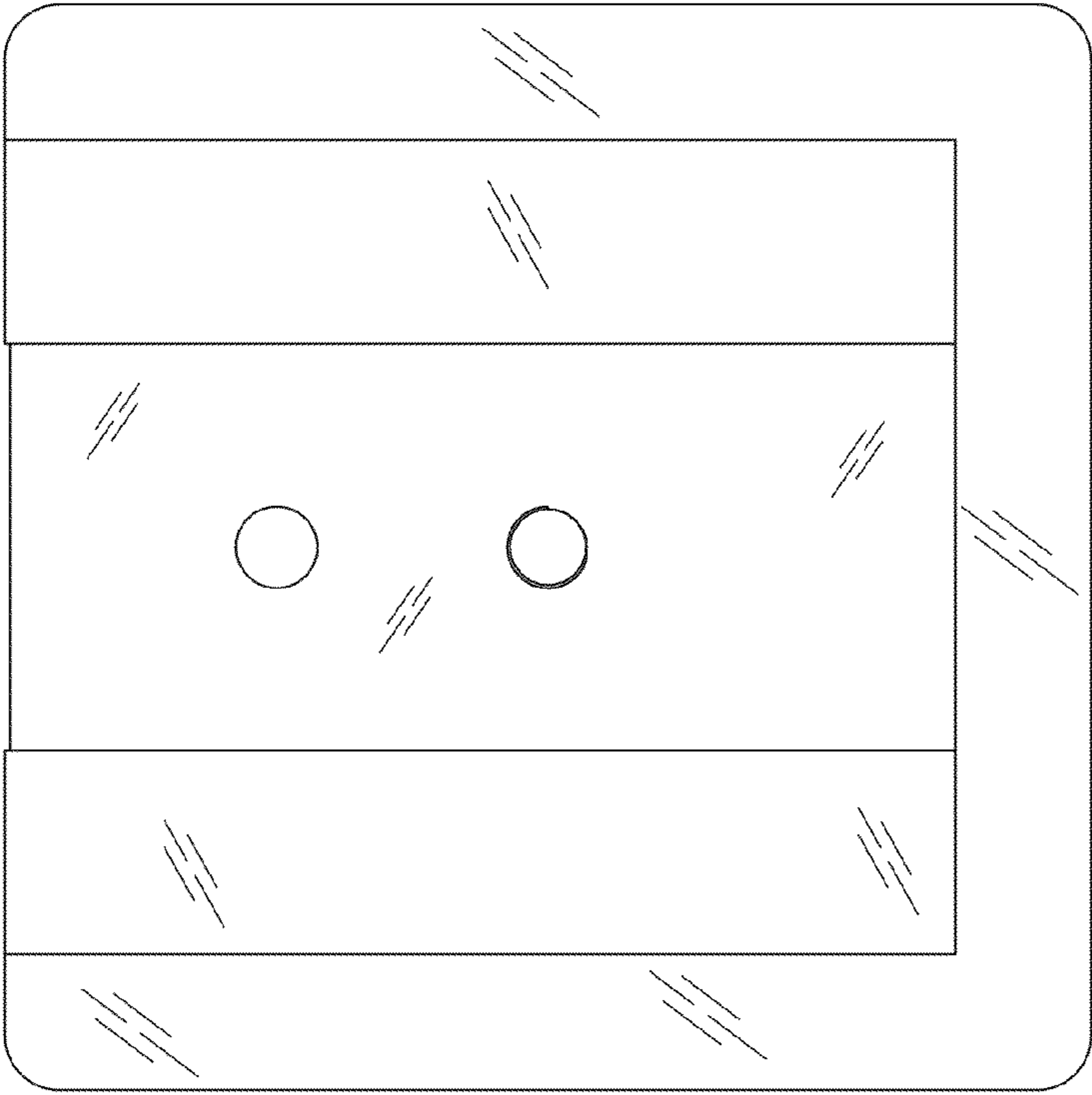


FIG. 11

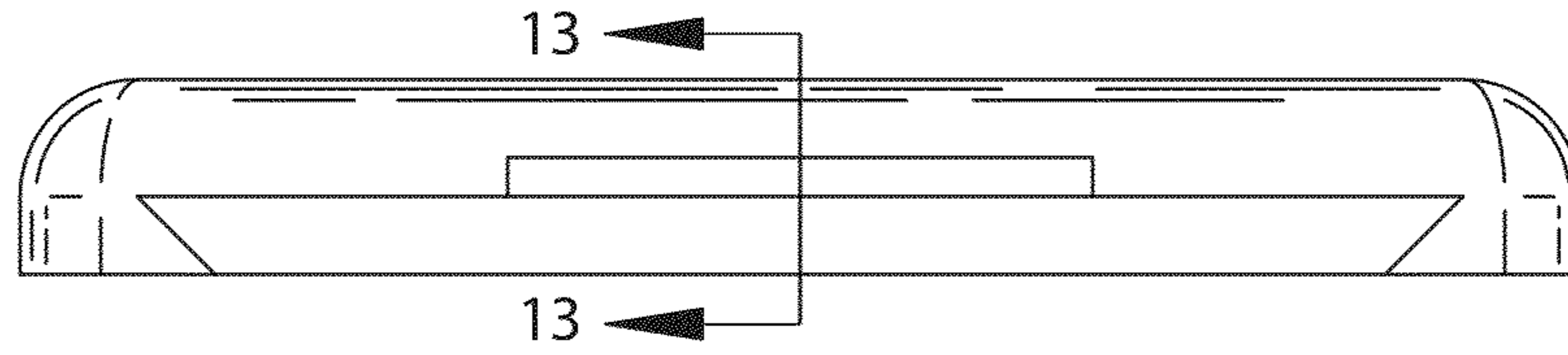


FIG. 12

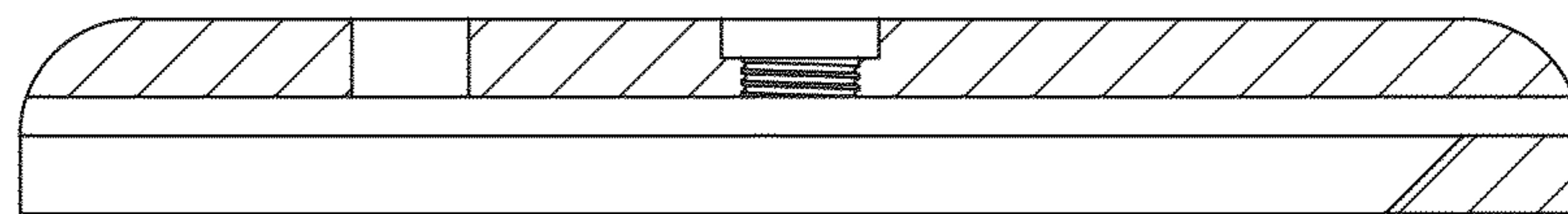


FIG. 13