



US00D700499S

(12) **United States Design Patent**
Tung

(10) **Patent No.:** **US D700,499 S**

(45) **Date of Patent:** **** Mar. 4, 2014**

(54) **PUSH-BUTTON RELEASE LATCH**

(71) Applicant: **Marine Town Inc.**, New Taipei (TW)

(72) Inventor: **Chin-Chung Tung**, New Taipei (TW)

(73) Assignee: **Marine Town Inc.**, Panchiao Dist., New Taipei (TW)

(**) Term: **14 Years**

(21) Appl. No.: **29/445,308**

(22) Filed: **Feb. 11, 2013**

(51) **LOC (10) Cl.** **08-07**

(52) **U.S. Cl.**
USPC **D8/331**

(58) **Field of Classification Search**
USPC D8/330, 331, 336, 339, 343, 349.4,
D8/499; 70/14, 1.5, 1.7, 51, 52, 416, 419,
70/420, 431, 57.1, 141, 439, 440;
292/289, 290, 292, 298, 359
See application file for complete search history.

(56) **References Cited**

U.S. PATENT DOCUMENTS

1,828,152 A * 10/1931 Nonamaker 292/170
2,636,763 A * 4/1953 Chapeta et al. 292/166
2,648,561 A * 8/1953 Landon 292/170
3,737,184 A * 6/1973 Swartz 292/170

4,023,839 A * 5/1977 Bisbing 292/85
5,172,574 A * 12/1992 Perfetto 70/56
D487,013 S * 2/2004 Jenks D8/343
D647,781 S * 11/2011 Tejszerski et al. D8/330
D663,605 S * 7/2012 Rohde et al. D8/331

* cited by examiner

Primary Examiner — Prabhakar Deshmukh

(74) *Attorney, Agent, or Firm* — Charles E. Baxley

(57) **CLAIM**

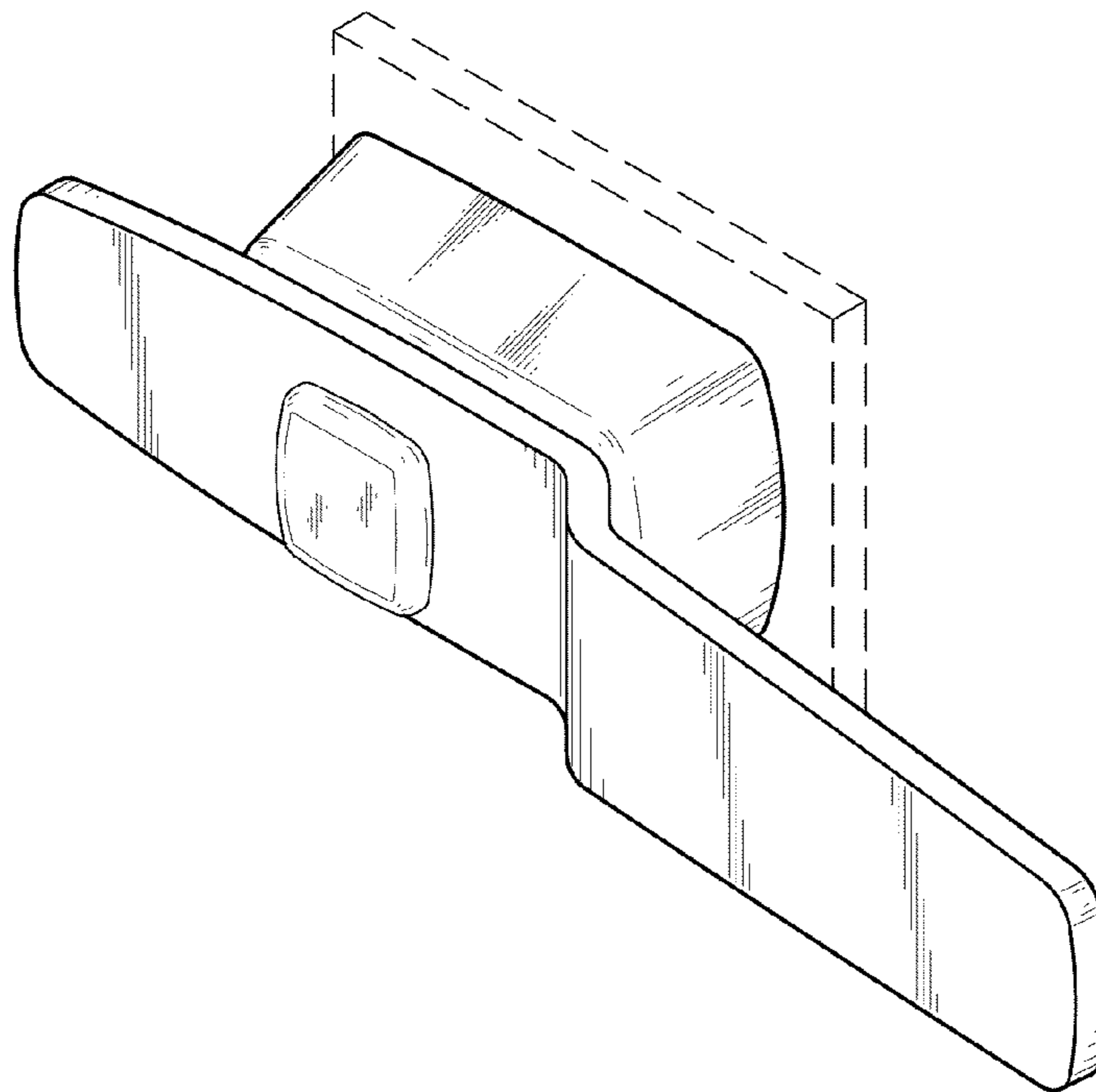
The ornamental design for a push-button release latch, as shown and described.

DESCRIPTION

FIG. 1 is a perspective view of a push-button release latch showing my new design thereof;
FIG. 2 is a front elevational view thereof;
FIG. 3 is a rear elevational view thereof;
FIG. 4 is a left side elevational view thereof;
FIG. 5 is a right side elevational view thereof;
FIG. 6 is a top plan view thereof;
FIG. 7 is a bottom plan view; and,
FIG. 8 is a perspective view thereof, with the push-button release latch shown in closed position and its environmental use.

The broken line environment is for illustrative purpose only and forms no part of the claimed design.

1 Claim, 8 Drawing Sheets



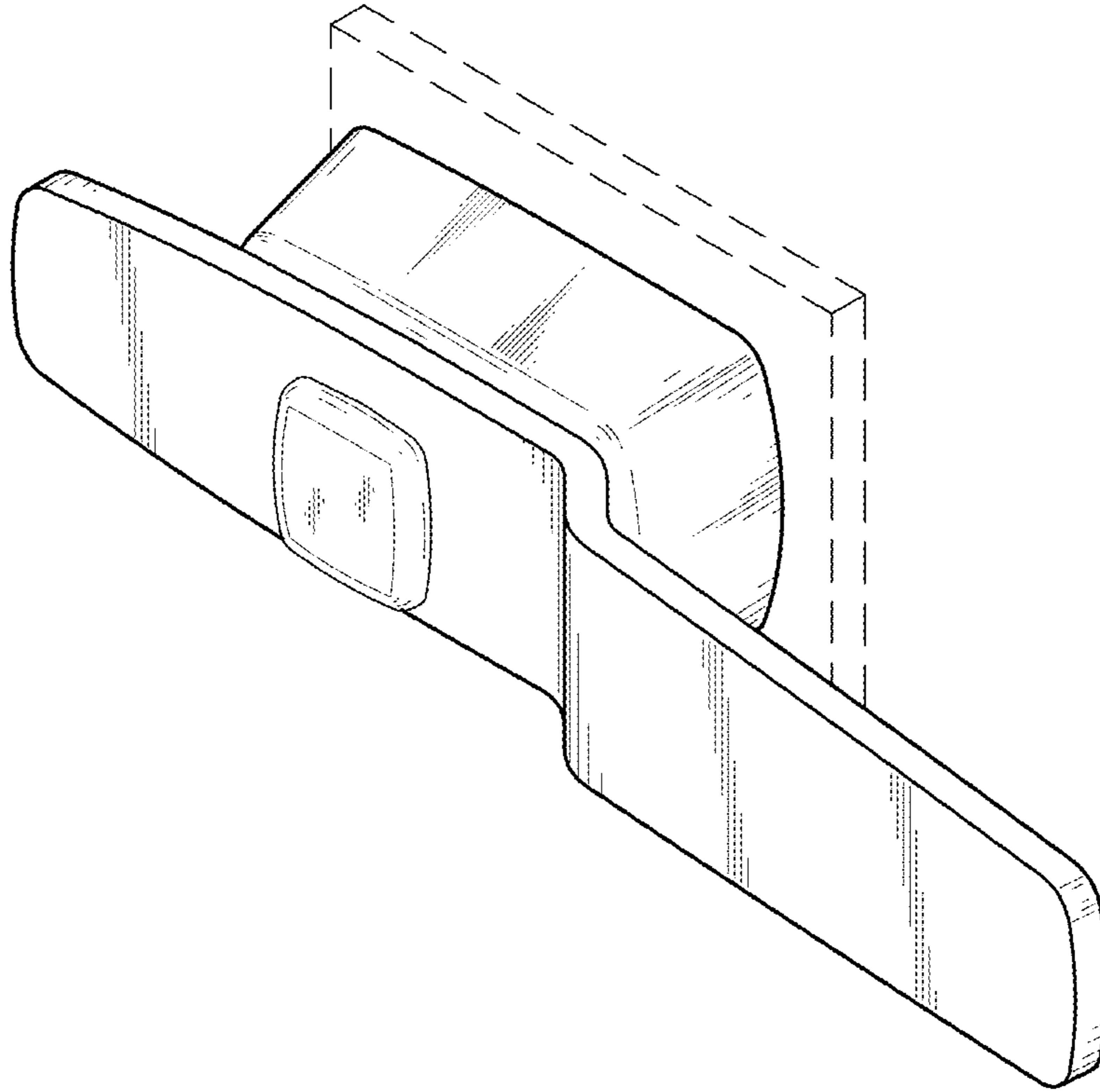


FIG. 1

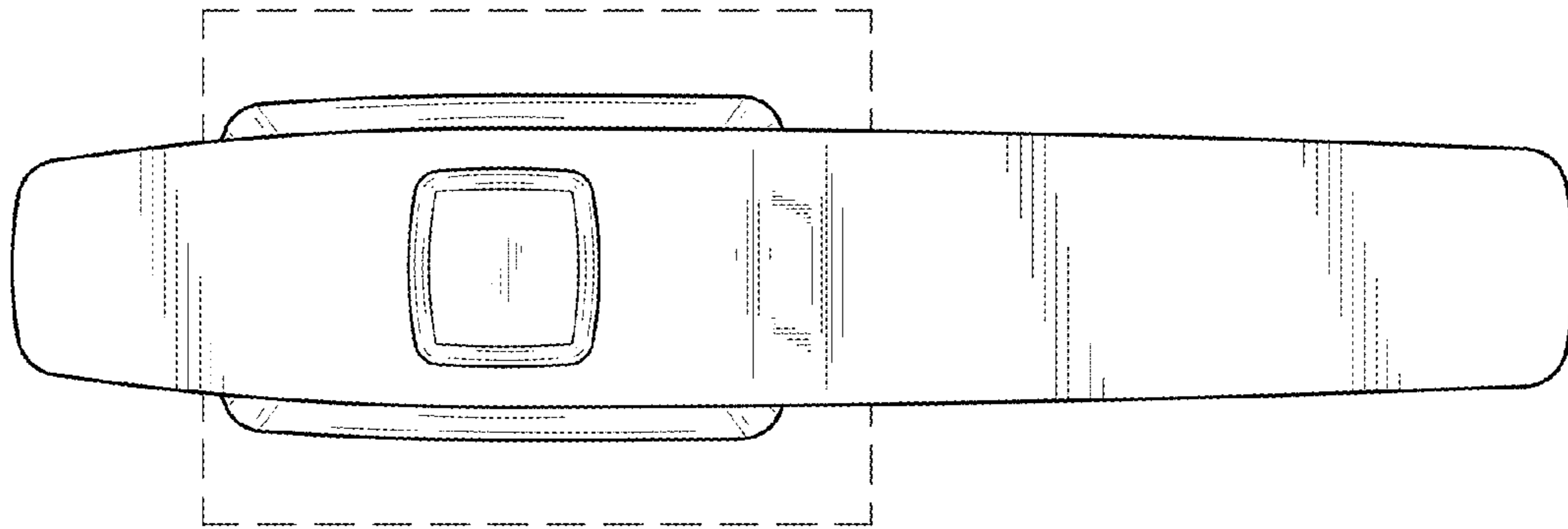


FIG. 2

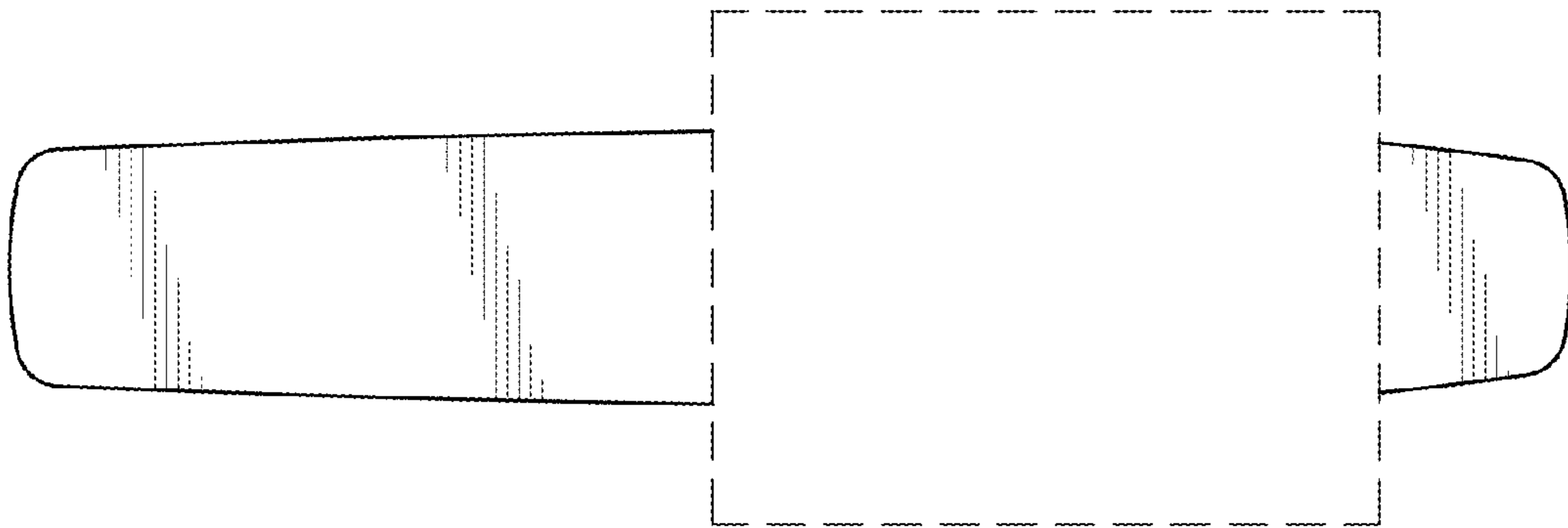


FIG. 3

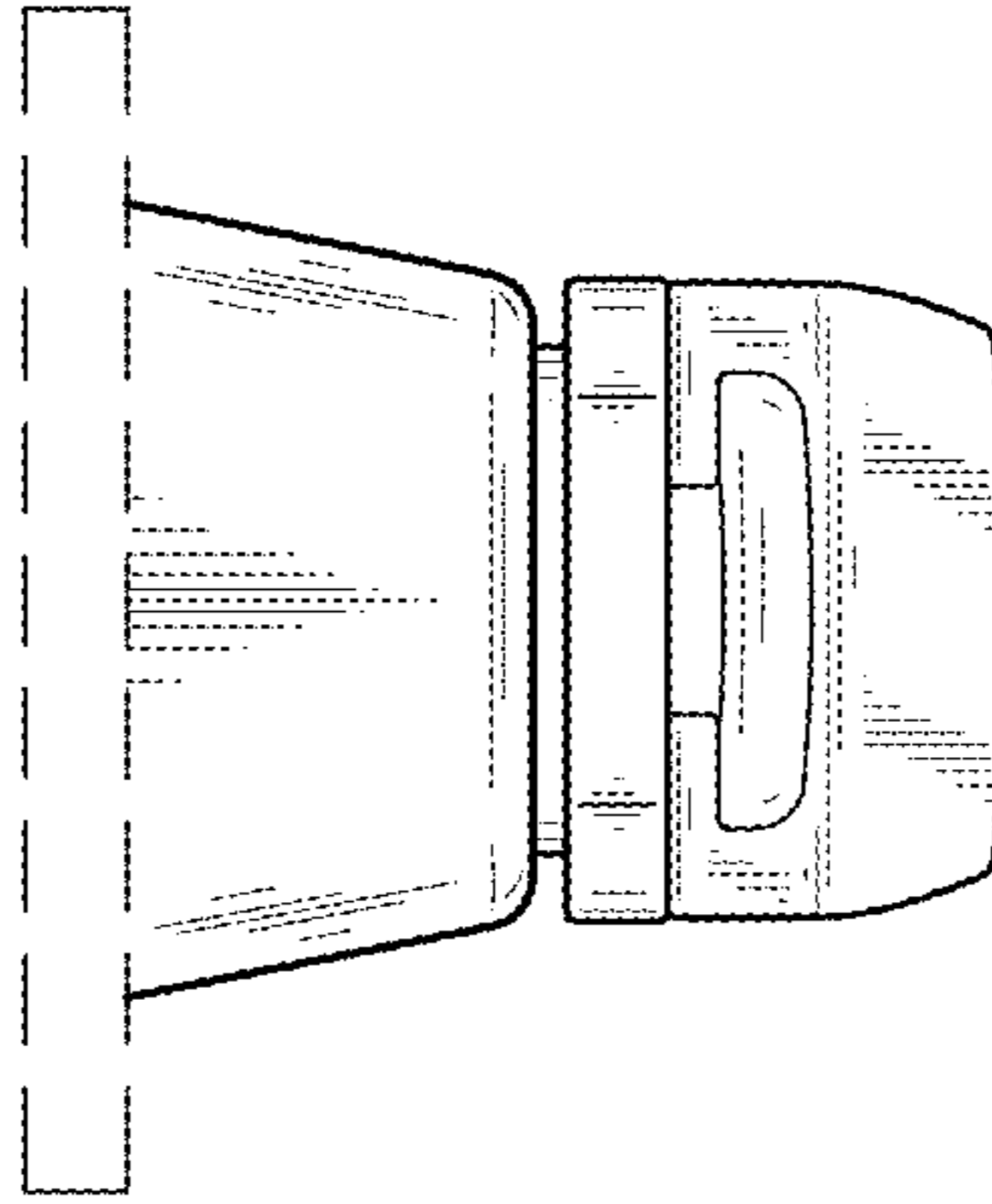


FIG. 4

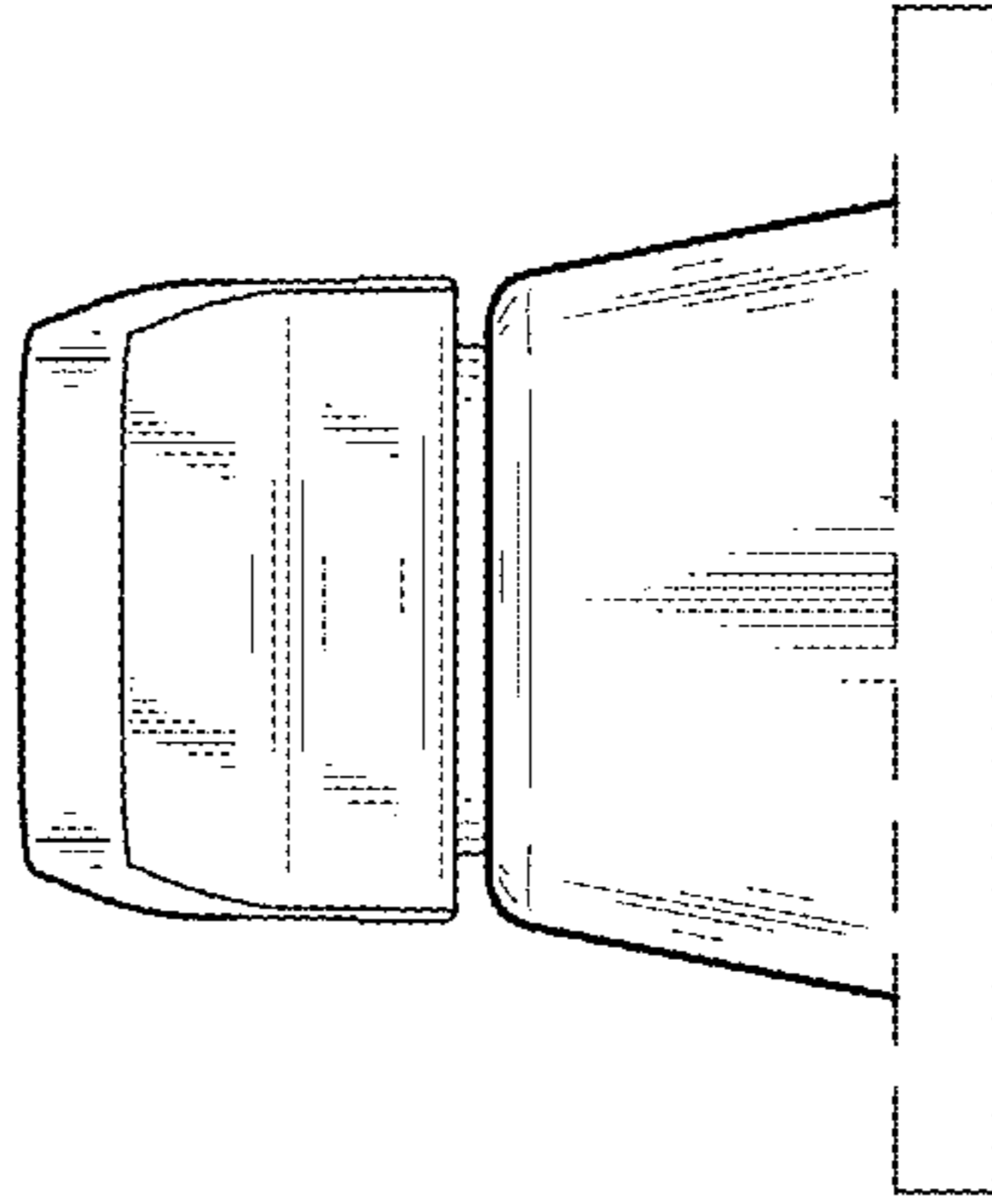


FIG. 5

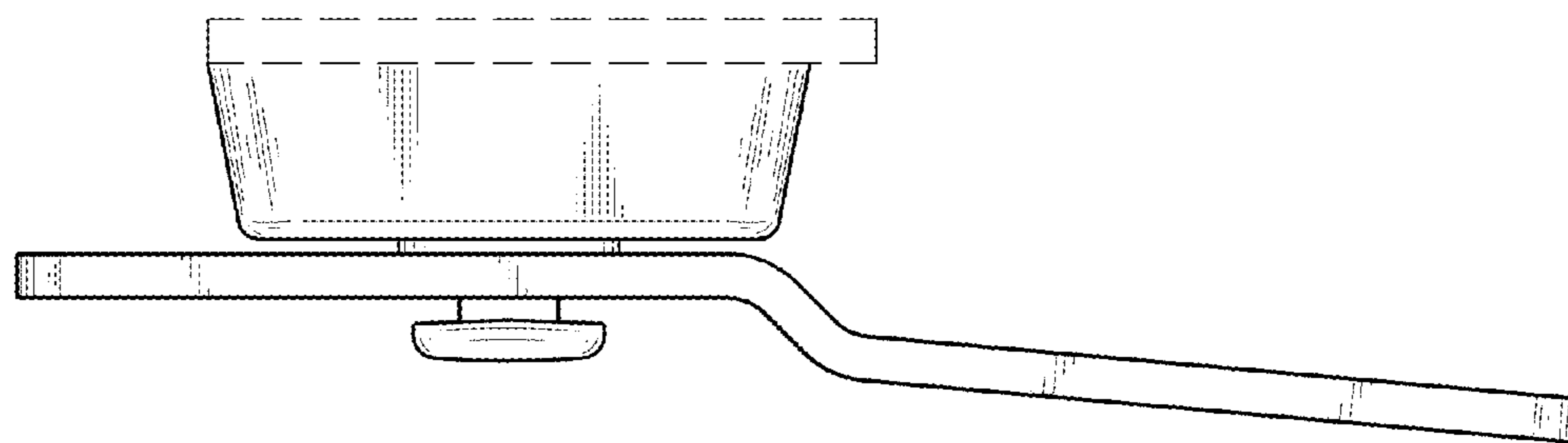


FIG. 6

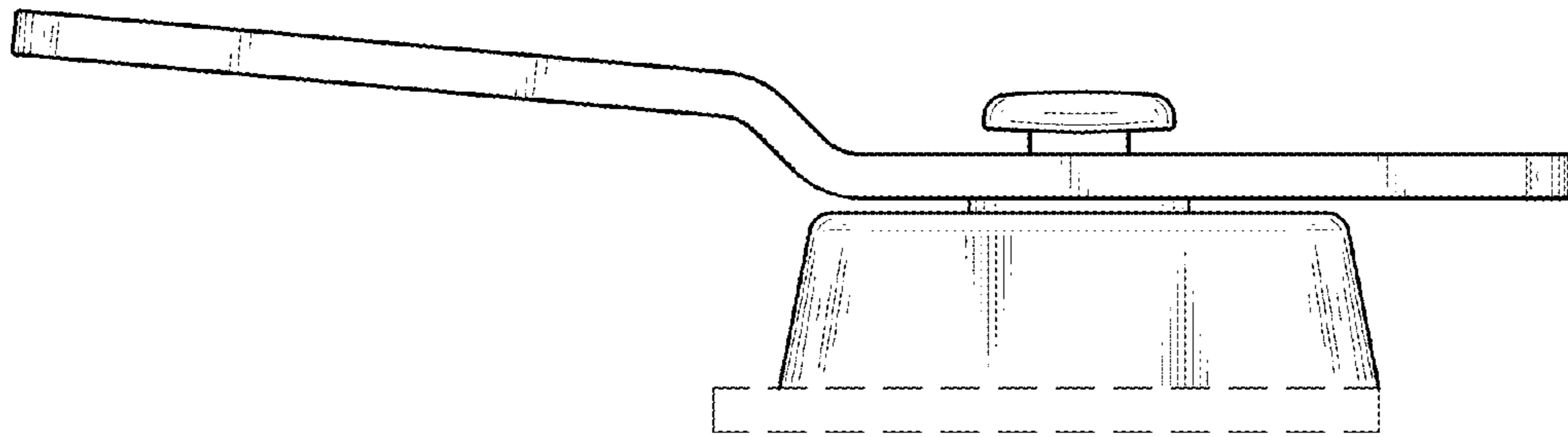


FIG. 7

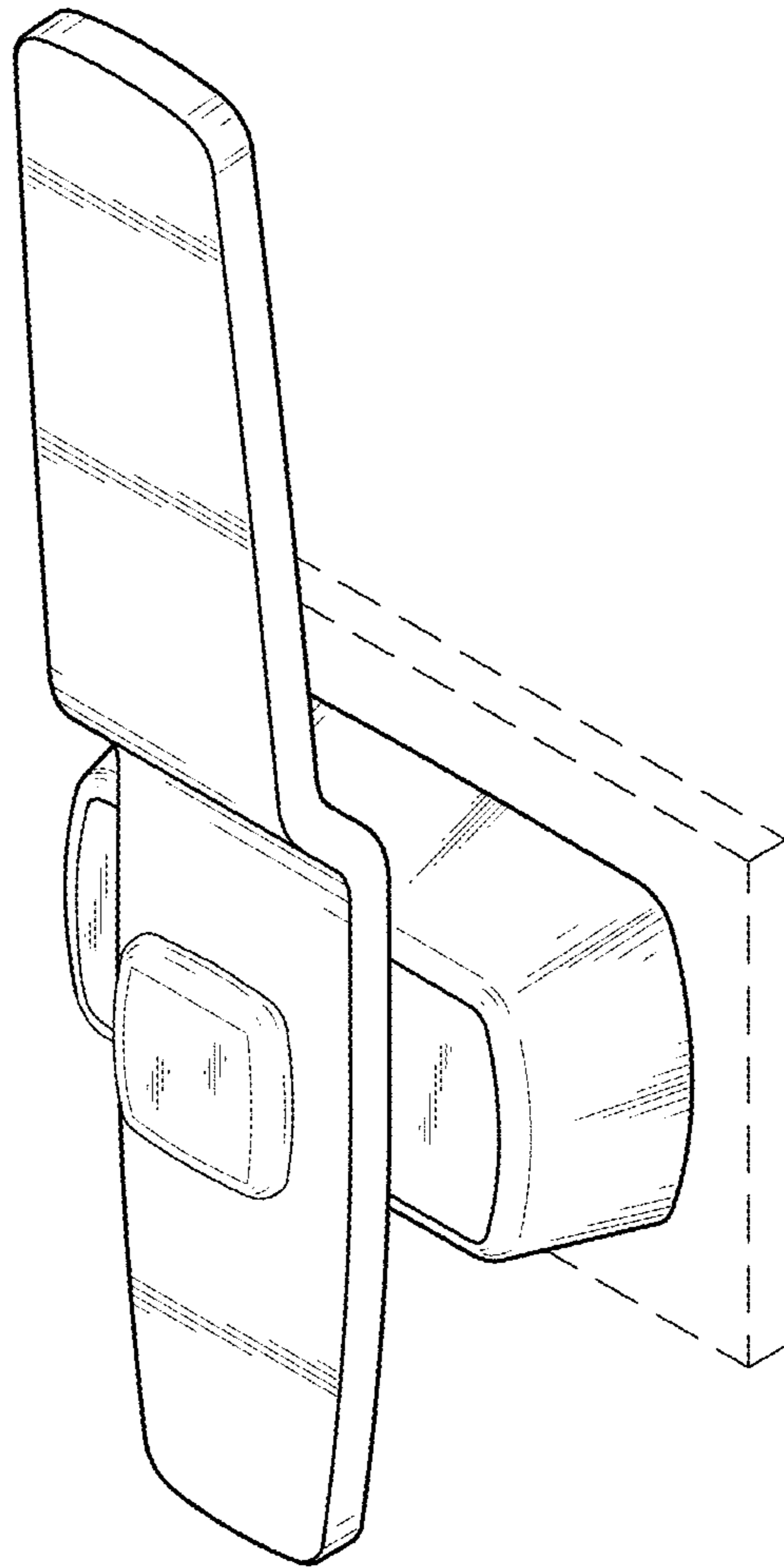


FIG. 8