



US00D700495S

(12) **United States Design Patent**  
**Hyde**

(10) **Patent No.:** **US D700,495 S**  
(45) **Date of Patent:** **\*\* Mar. 4, 2014**

(54) **PIPE VISE**

(75) Inventor: **Brent K. Hyde**, Ottawa (CA)

(73) Assignee: **Lee Valley Tools Ltd.**, Ottawa, Ontario (CA)

(\*\*) Term: **14 Years**

(21) Appl. No.: **29/422,887**

(22) Filed: **May 24, 2012**

(51) **LOC (10) Cl.** ..... **08-05**

(52) **U.S. Cl.**  
USPC ..... **D8/74**

(58) **Field of Classification Search**  
USPC ..... D8/71-74, 394-399, 59; 248/62, 63, 248/72, 74.1, 689, 124.2; 81/487; 269/3, 4, 269/6, 143, 165, 240, 243, 246-249, 254 R, 269/147-149; 29/256, 257, 276; D15/140; D24/143; 408/103, 104-109  
See application file for complete search history.

(56) **References Cited**

**U.S. PATENT DOCUMENTS**

2,221,325	A *	11/1940	Holman	.....	269/167
3,499,206	A *	3/1970	Quernheim	.....	269/283
4,257,584	A *	3/1981	Sterling	.....	269/252
4,306,710	A *	12/1981	Vosper	.....	269/252
4,339,113	A *	7/1982	Vosper	.....	269/252
4,498,662	A *	2/1985	Halter	.....	269/283
D279,646	S *	7/1985	Ferdinand et al.	.....	D8/72
D286,369	S *	10/1986	Hahn	.....	D8/72
5,002,264	A *	3/1991	Nimtz	.....	269/283
7,159,859	B2 *	1/2007	Fuller	.....	269/170

D543,820	S *	6/2007	Brass et al.	.....	D8/72
7,487,942	B2 *	2/2009	Krohmer	.....	269/147
2004/0041061	A1 *	3/2004	Krohmer	.....	248/74.1

**OTHER PUBLICATIONS**

<http://www.amazon.com/Jorgensen-52-2-Inch-Clamp-Fixture>.  
<http://www.leevalley.com/US/wood>.

\* cited by examiner

*Primary Examiner* — David Muller

(74) *Attorney, Agent, or Firm* — Kilpatrick Townsend & Stockton LLP; John S. Pratt; Camilla C. Williams

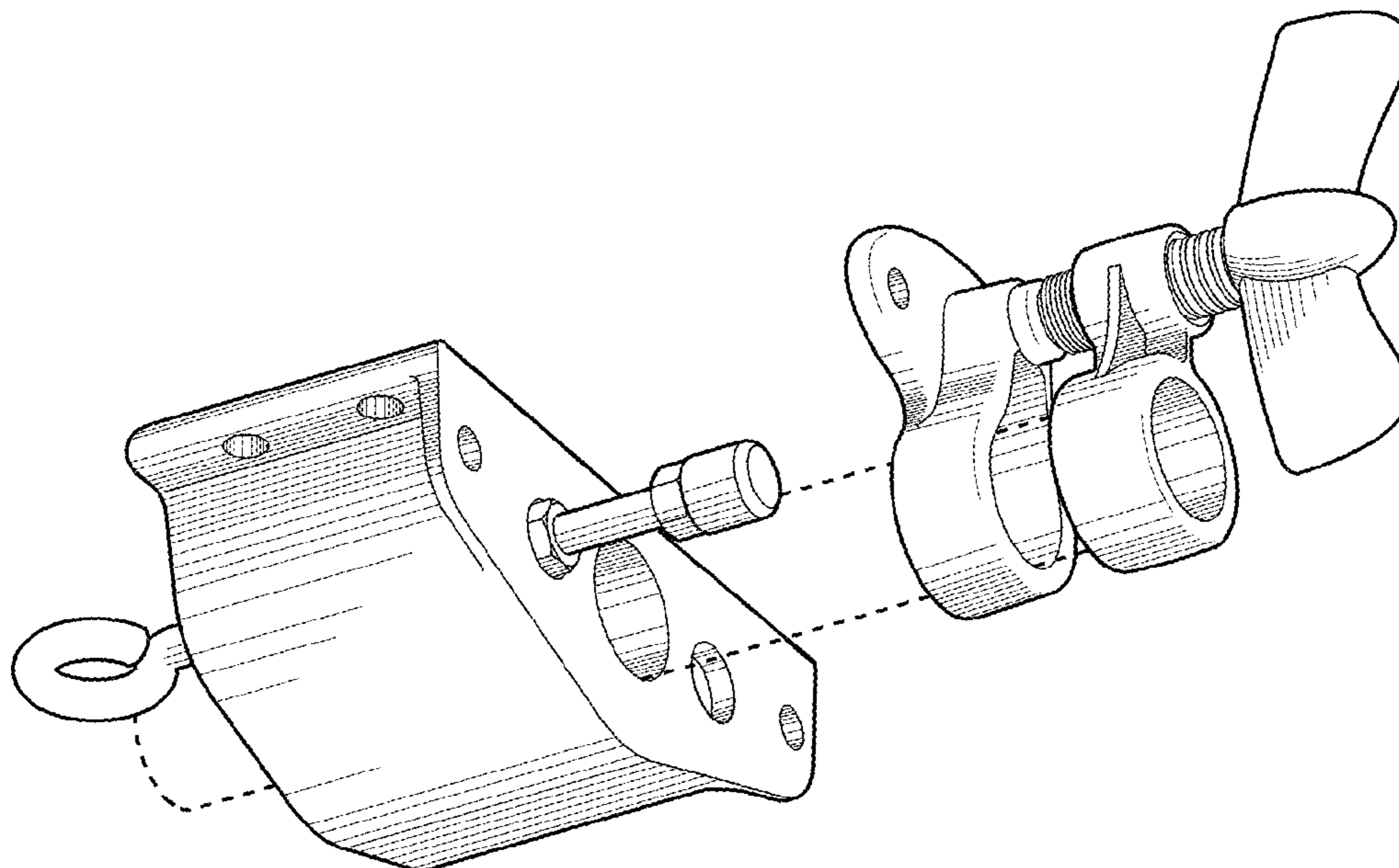
(57) **CLAIM**

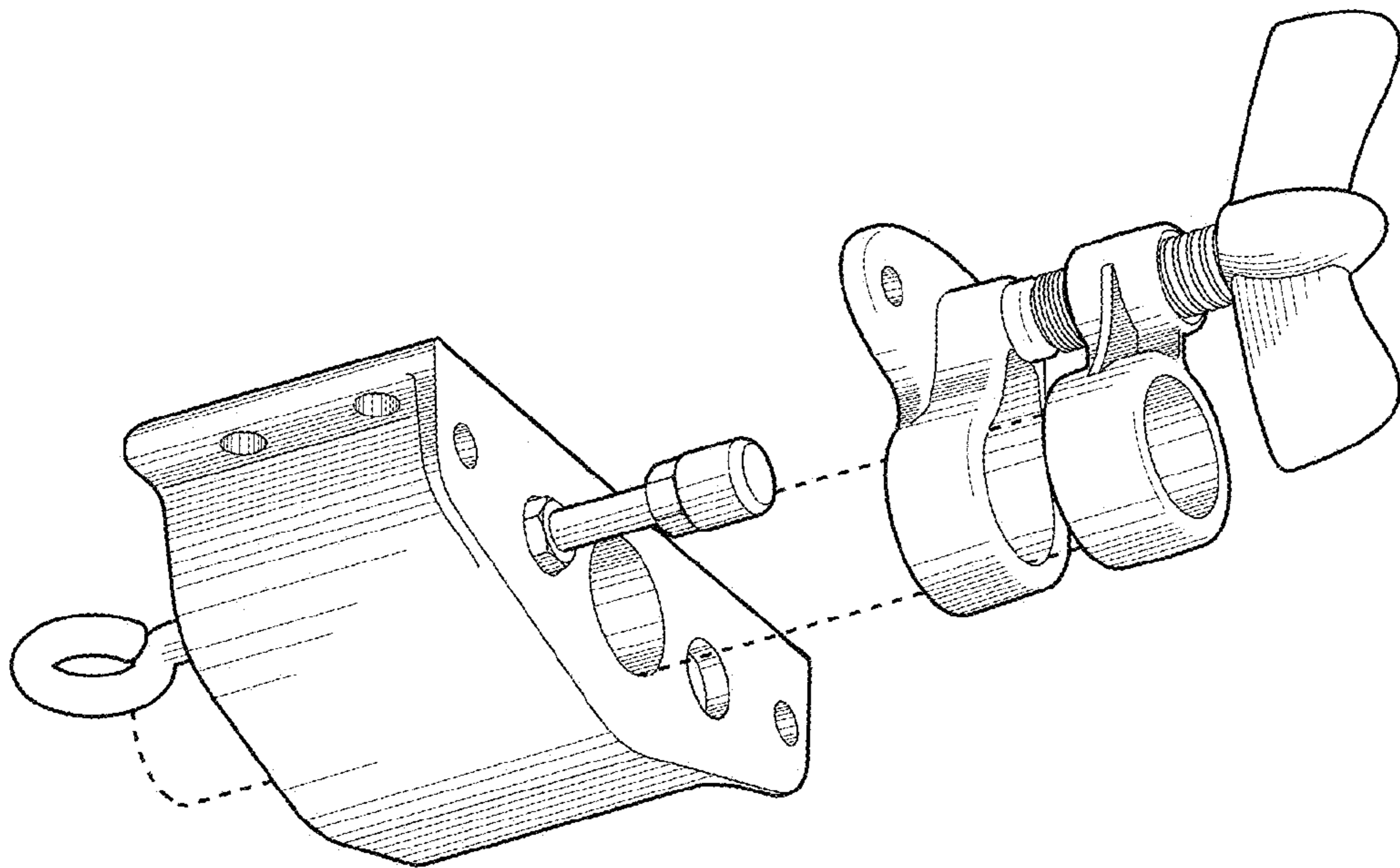
The ornamental design for pipe vise, as shown and described.

**DESCRIPTION**

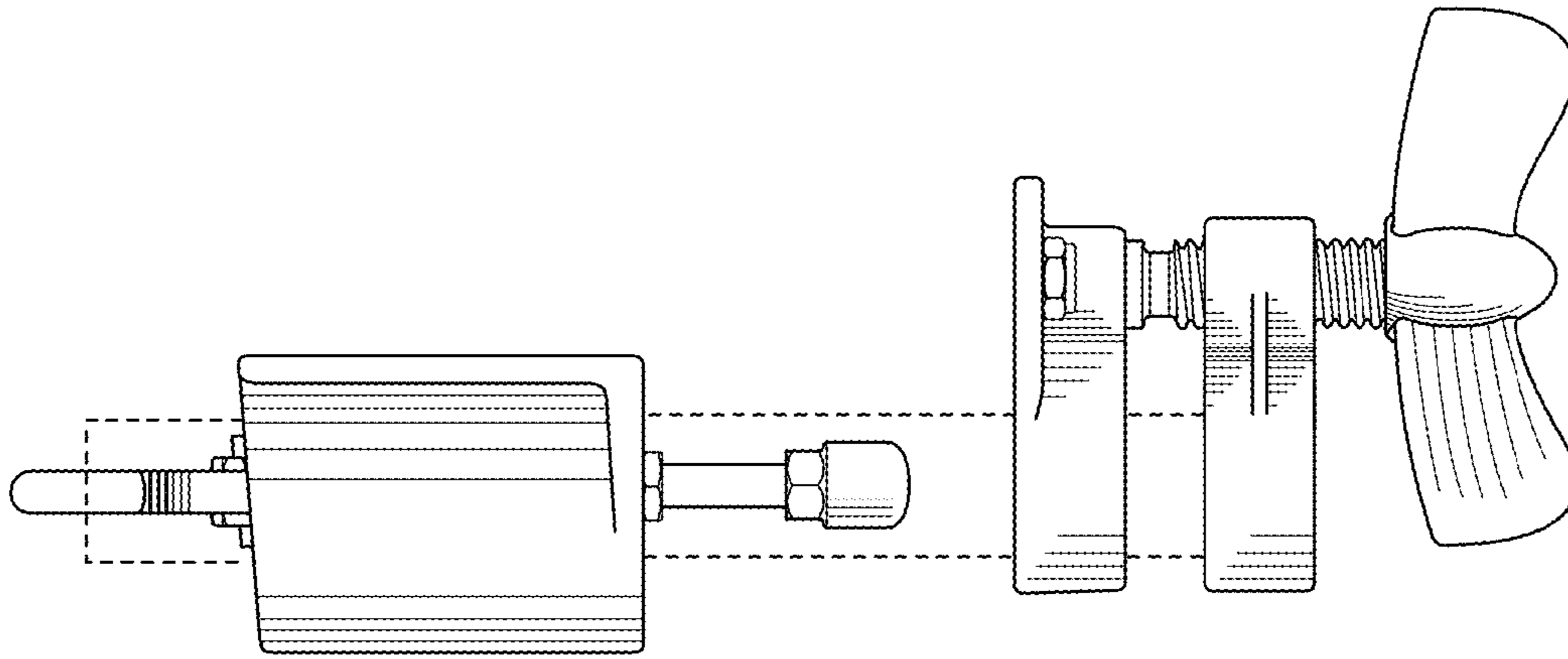
FIG. 1 is a perspective view of the pipe vise of this invention. FIG. 2 is a left side elevation view of the design for the pipe vise shown in FIG. 1. FIG. 3 is a right side elevation view of the design for the pipe vise shown in FIG. 1. FIG. 4 is a bottom plan view of the design for the pipe vise shown in FIG. 1. FIG. 5 is a rear elevation view of the design for the pipe vise shown in FIG. 1; and, FIG. 6 is a front elevation view of the design for the pipe vise shown in FIG. 1. Portions or features of the design for the pipe vise not shown in the drawings form no part of the claimed design. The broken lines in the drawings form no part of the claimed design.

**1 Claim, 3 Drawing Sheets**

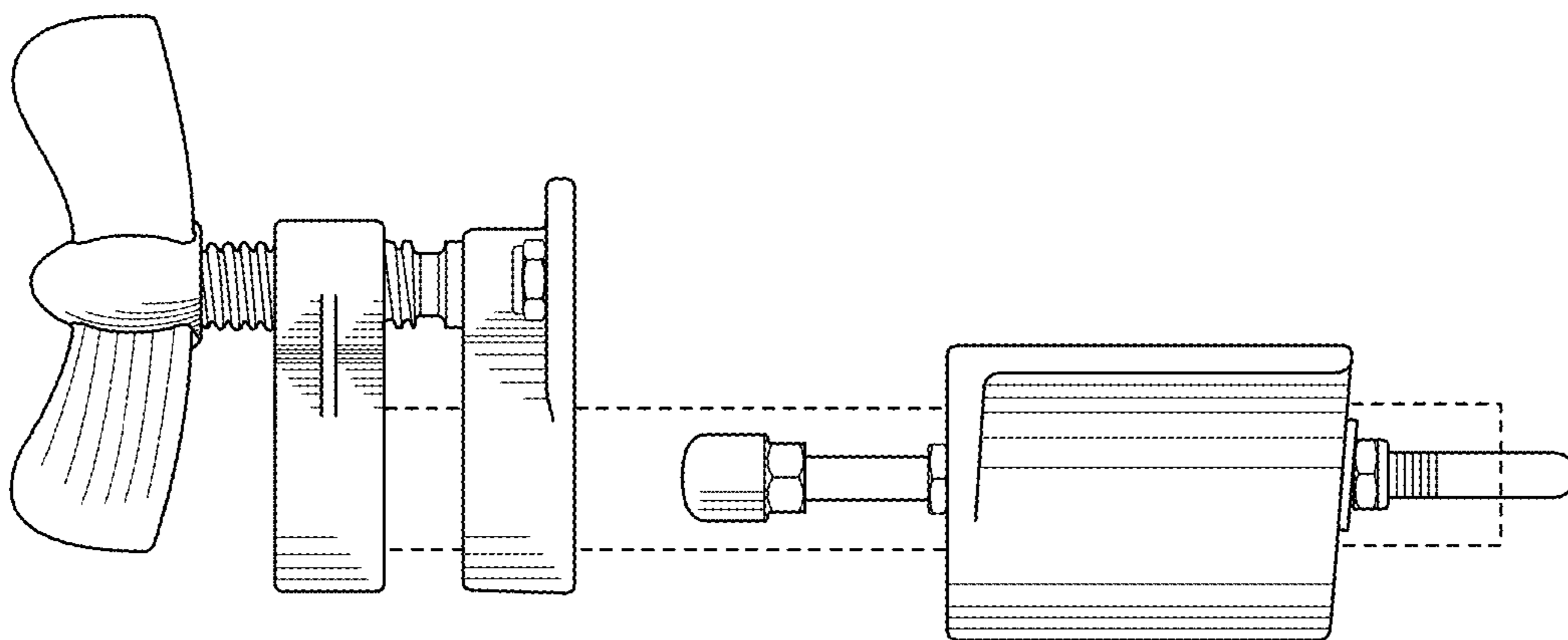




**Fig. 1**



**Fig. 2**



**Fig. 3**

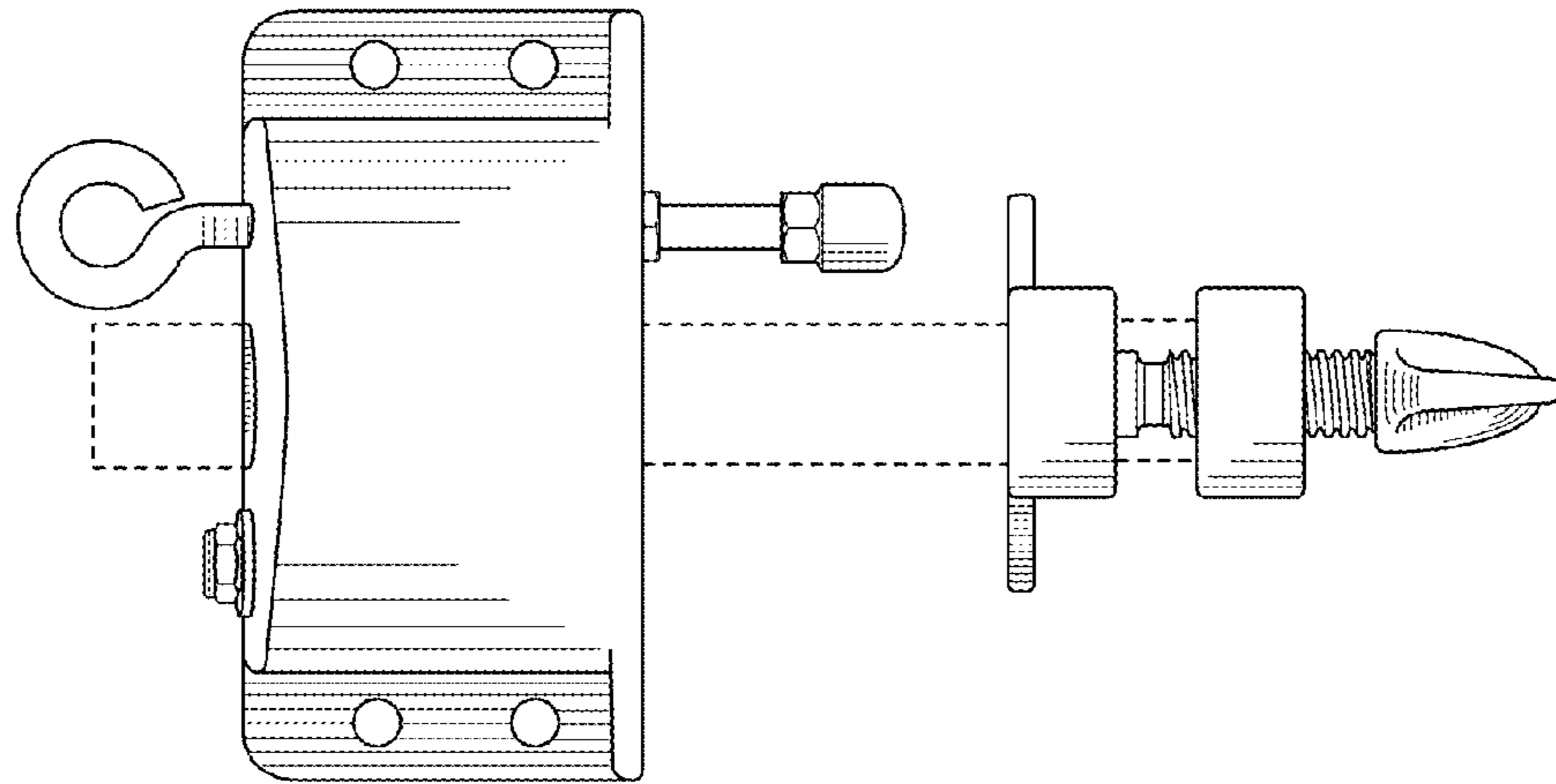


Fig. 4

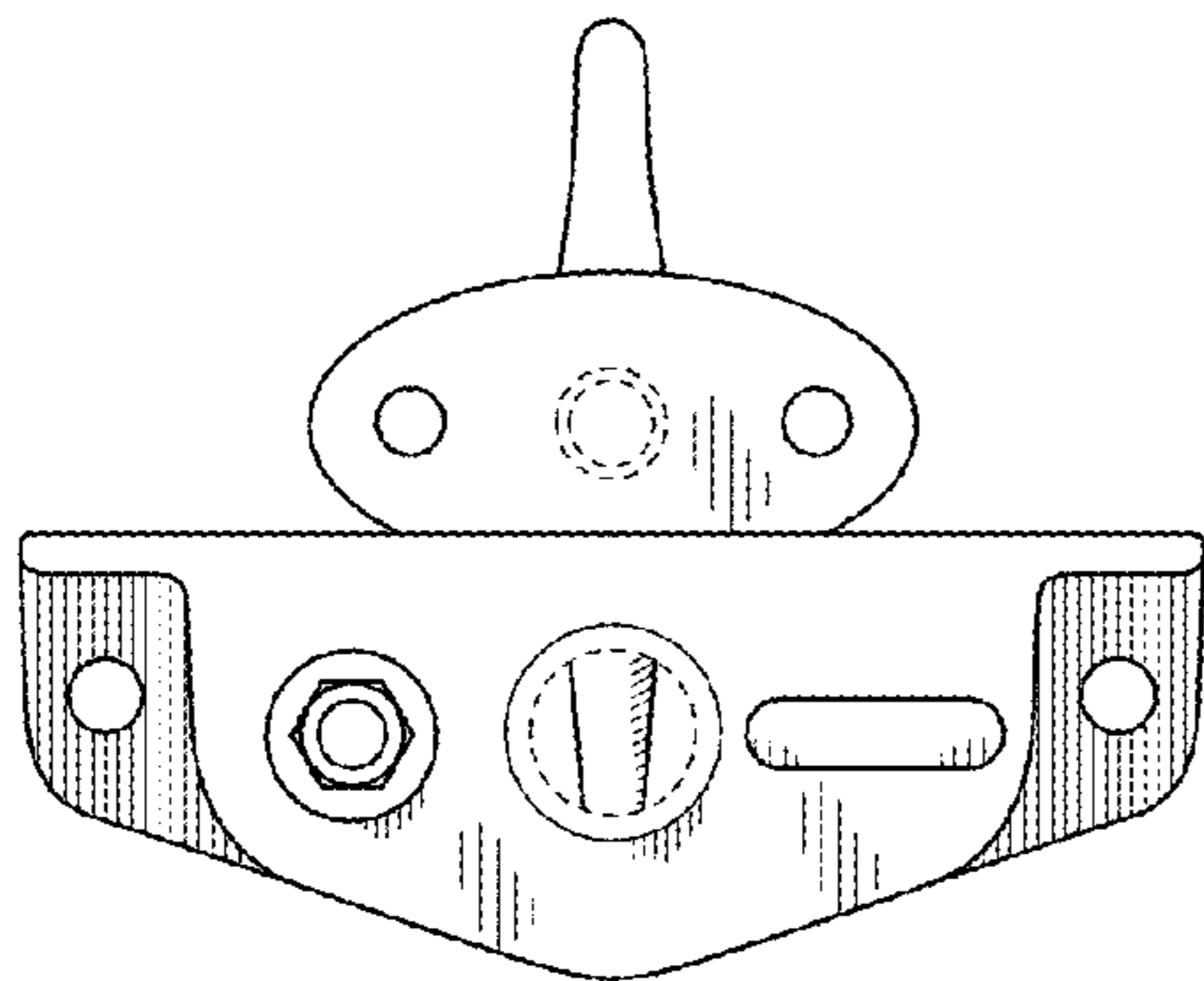


Fig. 5

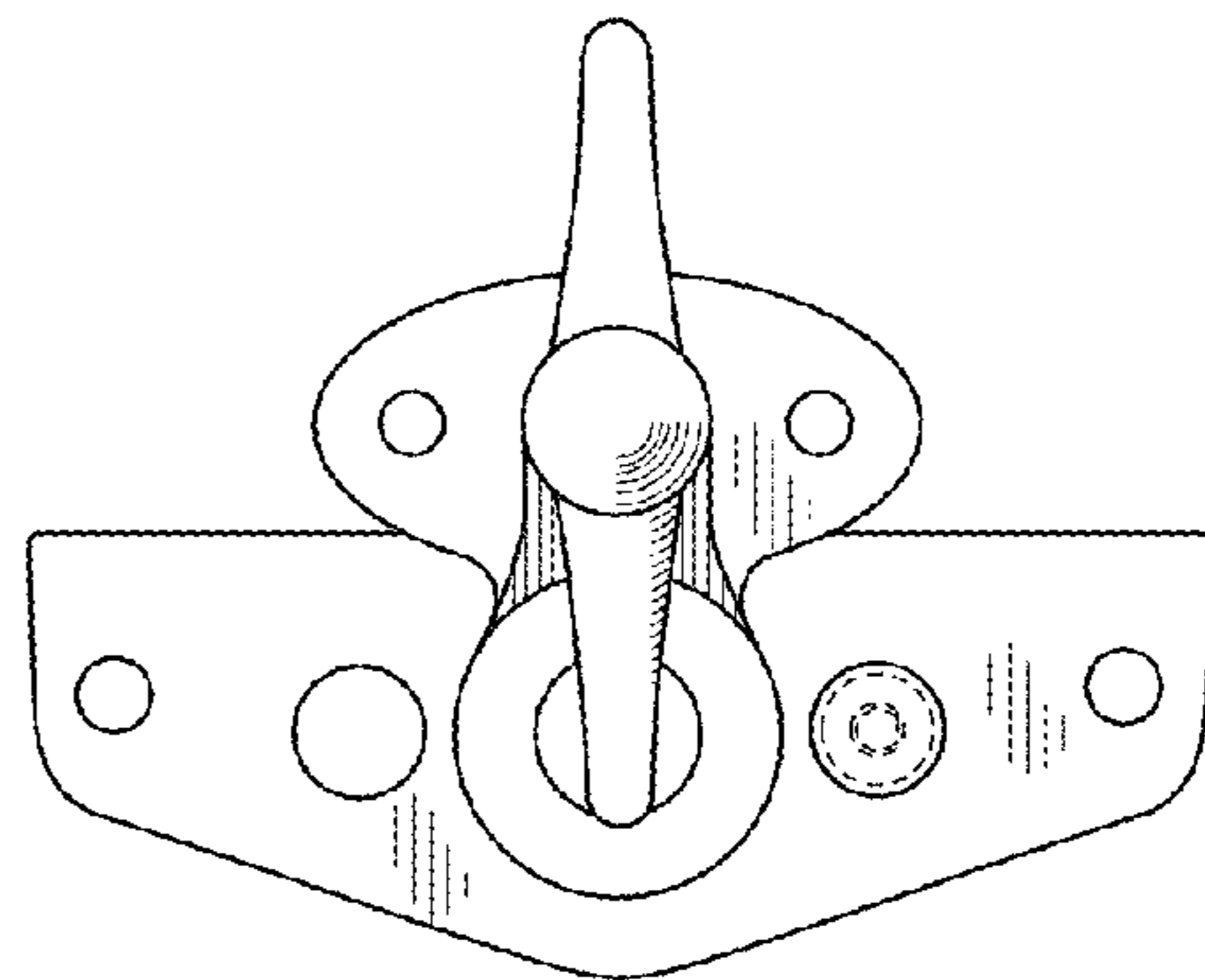


Fig. 6