



US00D700494S

(12) **United States Design Patent**
Francaviglia

(10) **Patent No.:** **US D700,494 S**
(45) **Date of Patent:** **** *Mar. 4, 2014**

(54) **METER BOX GROUNDING CLAMP**

(75) Inventor: **Joe Francaviglia**, St. Charles, IL (US)

(73) Assignee: **Senior Industries, Inc.**, Wood Dale, IL (US)

(*) Notice: This patent is subject to a terminal disclaimer.

(**) Term: **14 Years**

(21) Appl. No.: **29/380,107**

(22) Filed: **Nov. 30, 2010**

(51) **LOC (10) Cl.** **08-05**

(52) **U.S. Cl.**
USPC **D8/72; D8/387; D8/394; D13/149**

(58) **Field of Classification Search**
USPC **D8/387, 382, 394, 72, 354, 356, 396; 439/92, 95, 97, 805, 803; D13/133, D13/154, 149**

See application file for complete search history.

(56) **References Cited**

U.S. PATENT DOCUMENTS

6,935,869	B1 *	8/2005	Auclair	439/92
D512,376	S *	12/2005	Franks, Jr.	D13/133
D576,008	S *	9/2008	Franks, Jr.	D8/72
D576,026	S *	9/2008	Mazzocco	D8/382
D576,856	S *	9/2008	Franks, Jr.	D8/72
D615,498	S *	5/2010	Lalancette	D13/149

* cited by examiner

Primary Examiner — Robert Delehanty

(74) *Attorney, Agent, or Firm* — Faegre Baker Daniels LLP

(57) **CLAIM**

The ornamental design for a meter box grounding clamp, as shown and described herein.

DESCRIPTION

FIG. 1 is an isometric view of a meter box grounding clamp according to my new design.

FIG. 2 is another isometric view of the meter box grounding clamp of FIG. 1 including a meter box in phantom.

FIG. 3 is a front view of the meter box grounding clamp of FIG. 1.

FIG. 4 is a back view of the meter box grounding clamp of FIG. 1.

FIG. 5 is a right view of the meter box grounding clamp of FIG. 1.

FIG. 6 is a left view of the meter box grounding clamp of FIG. 1.

FIG. 7 is a top view of the meter box grounding clamp of FIG. 1; and,

FIG. 8 is a bottom view of the meter box grounding clamp of FIG. 1.

The broken lines showing environment form no part of the claimed design.

1 Claim, 5 Drawing Sheets

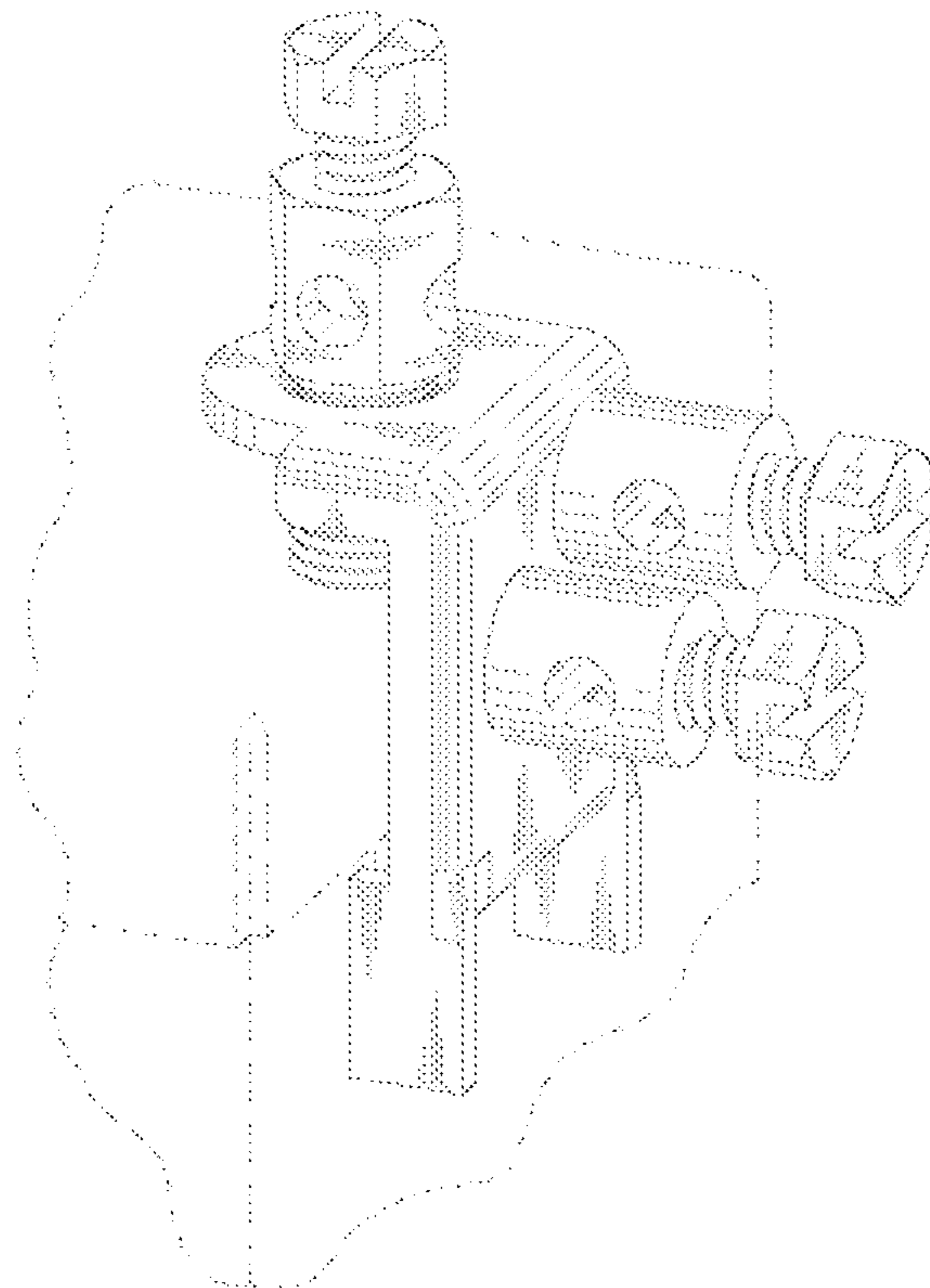
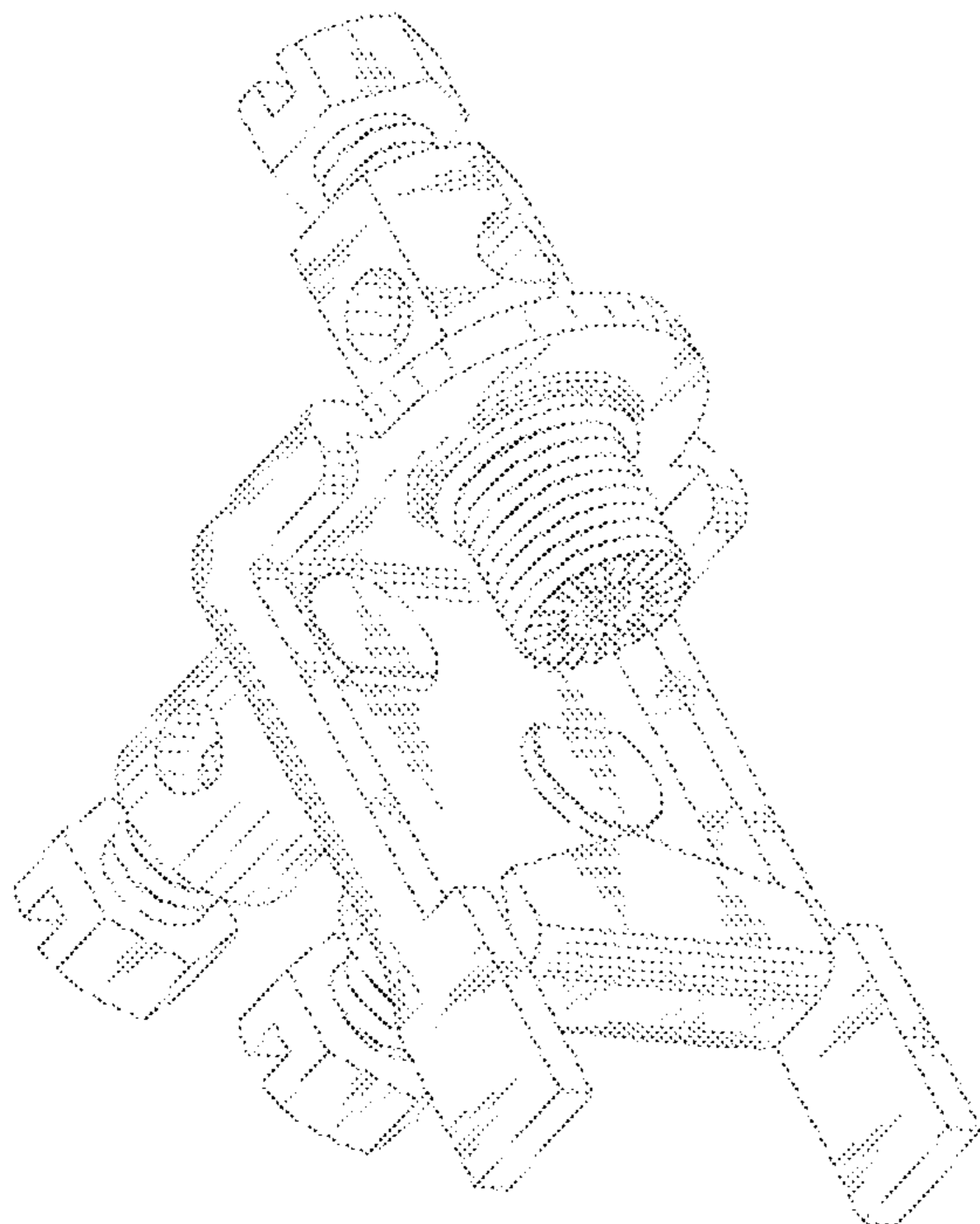


FIG. 1

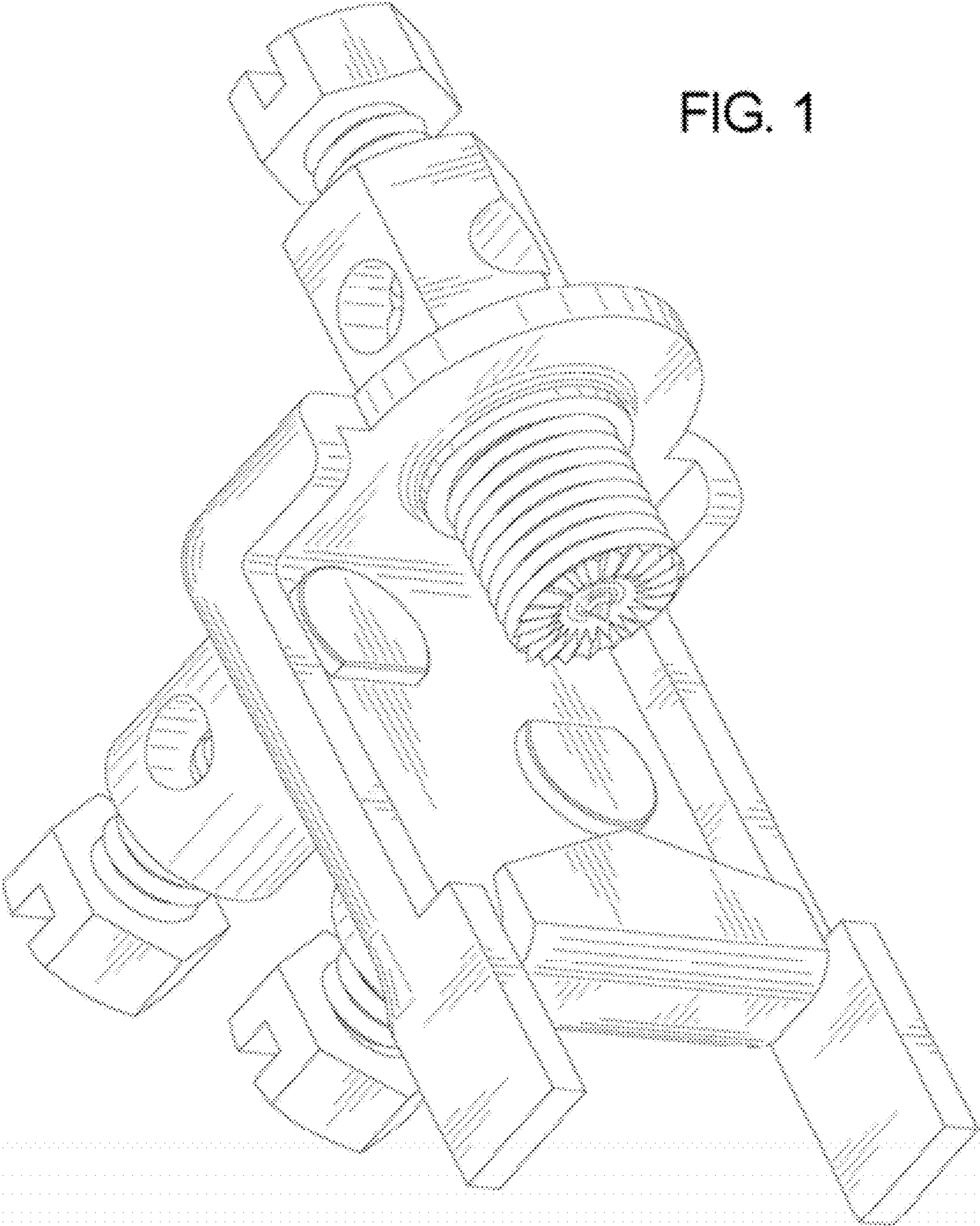
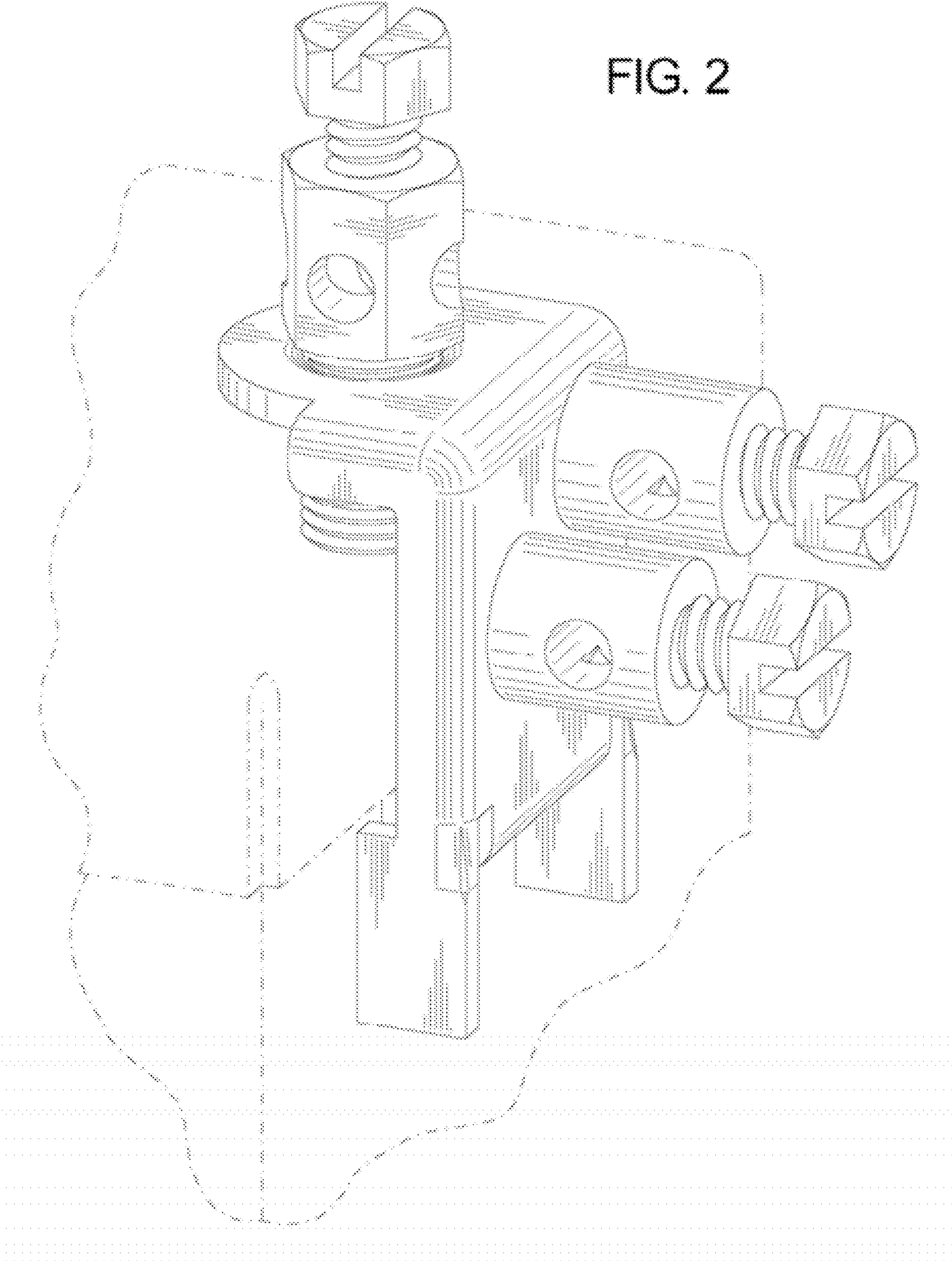


FIG. 2



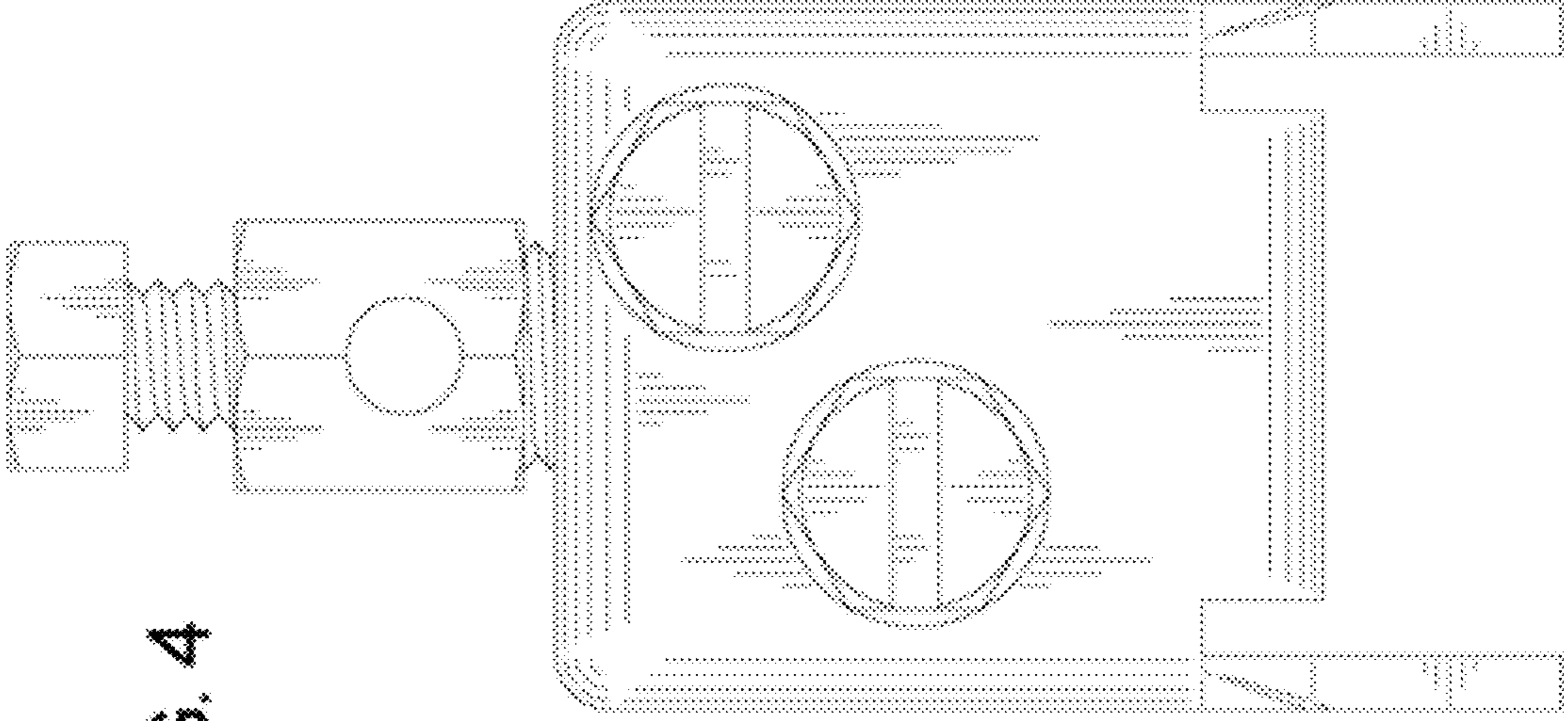


FIG. 4

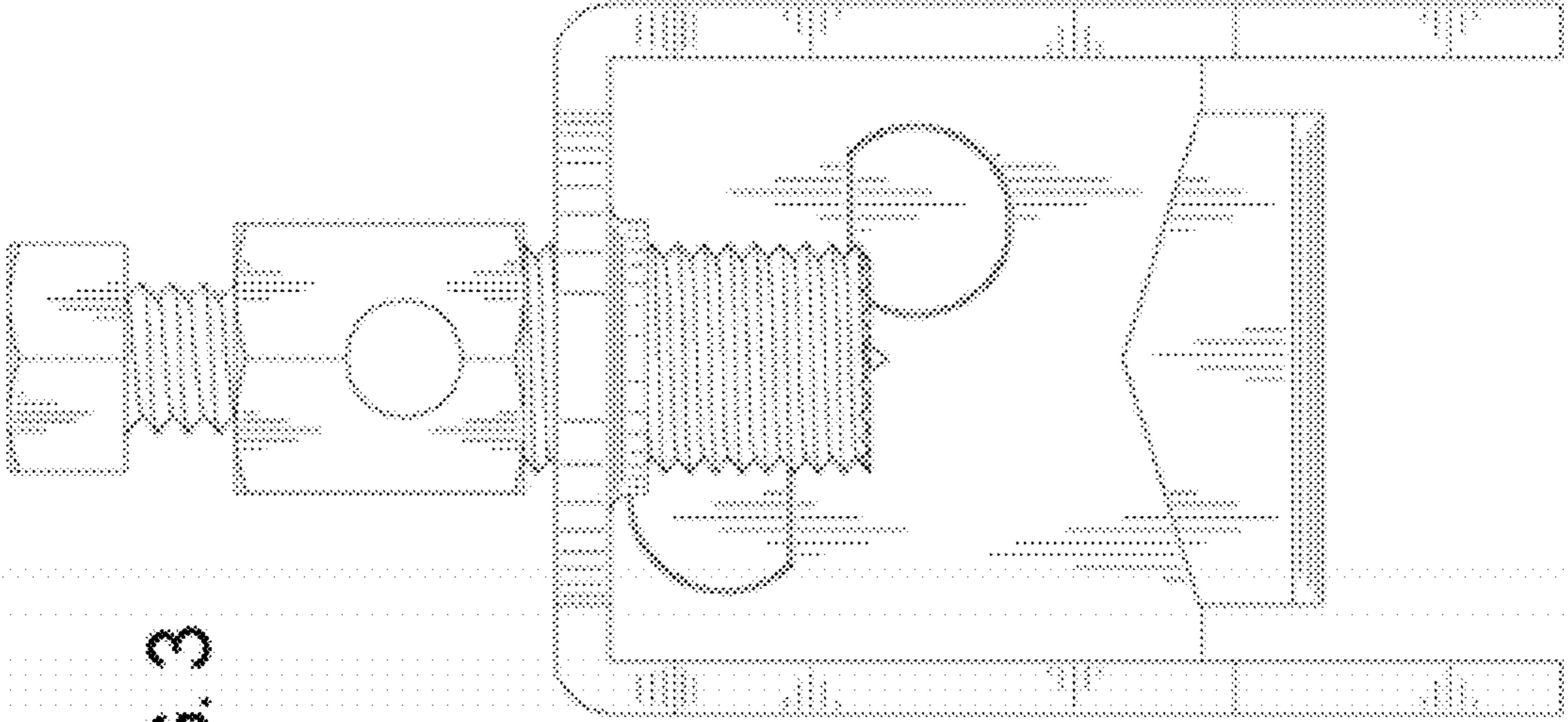


FIG. 3

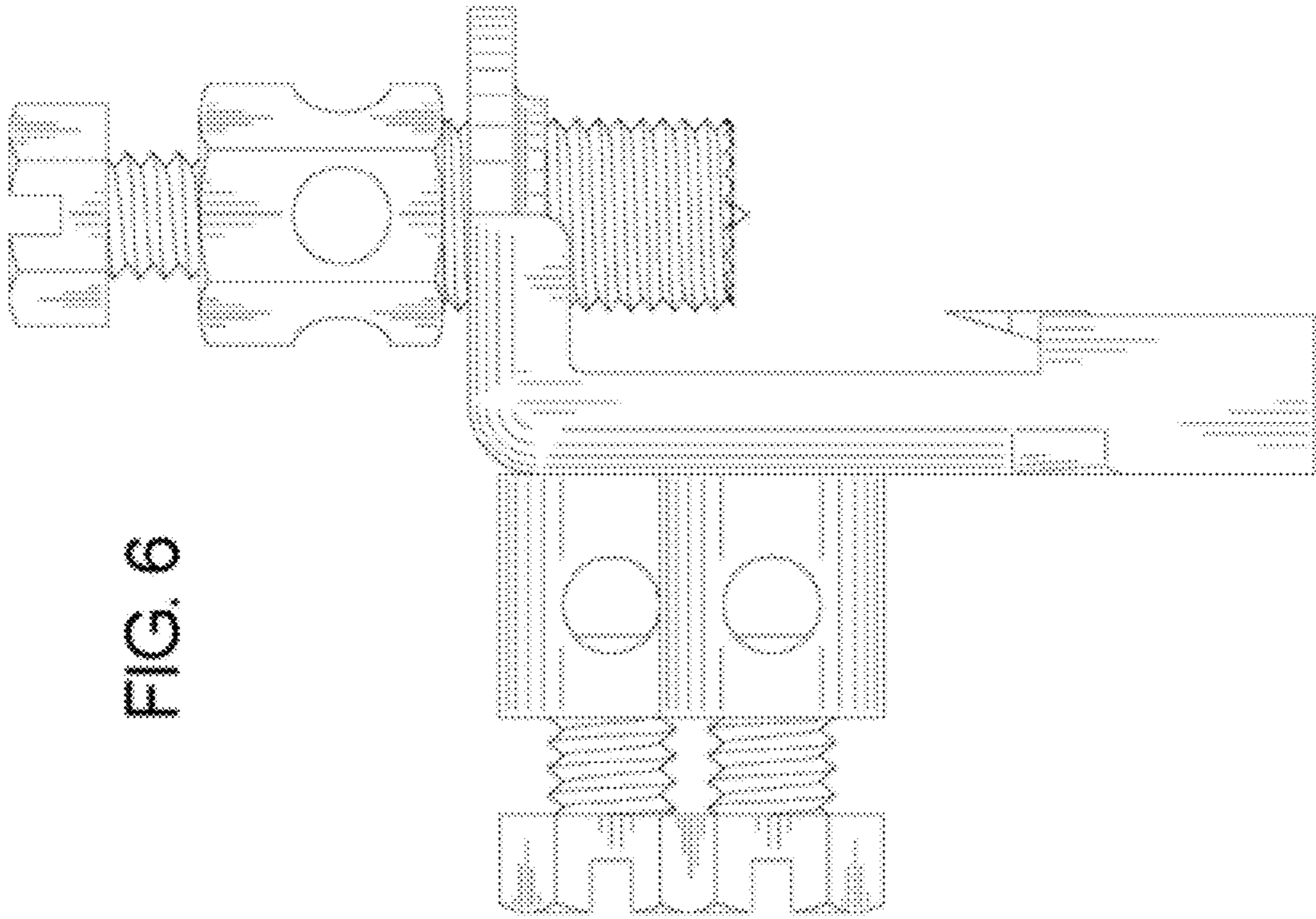


FIG. 6

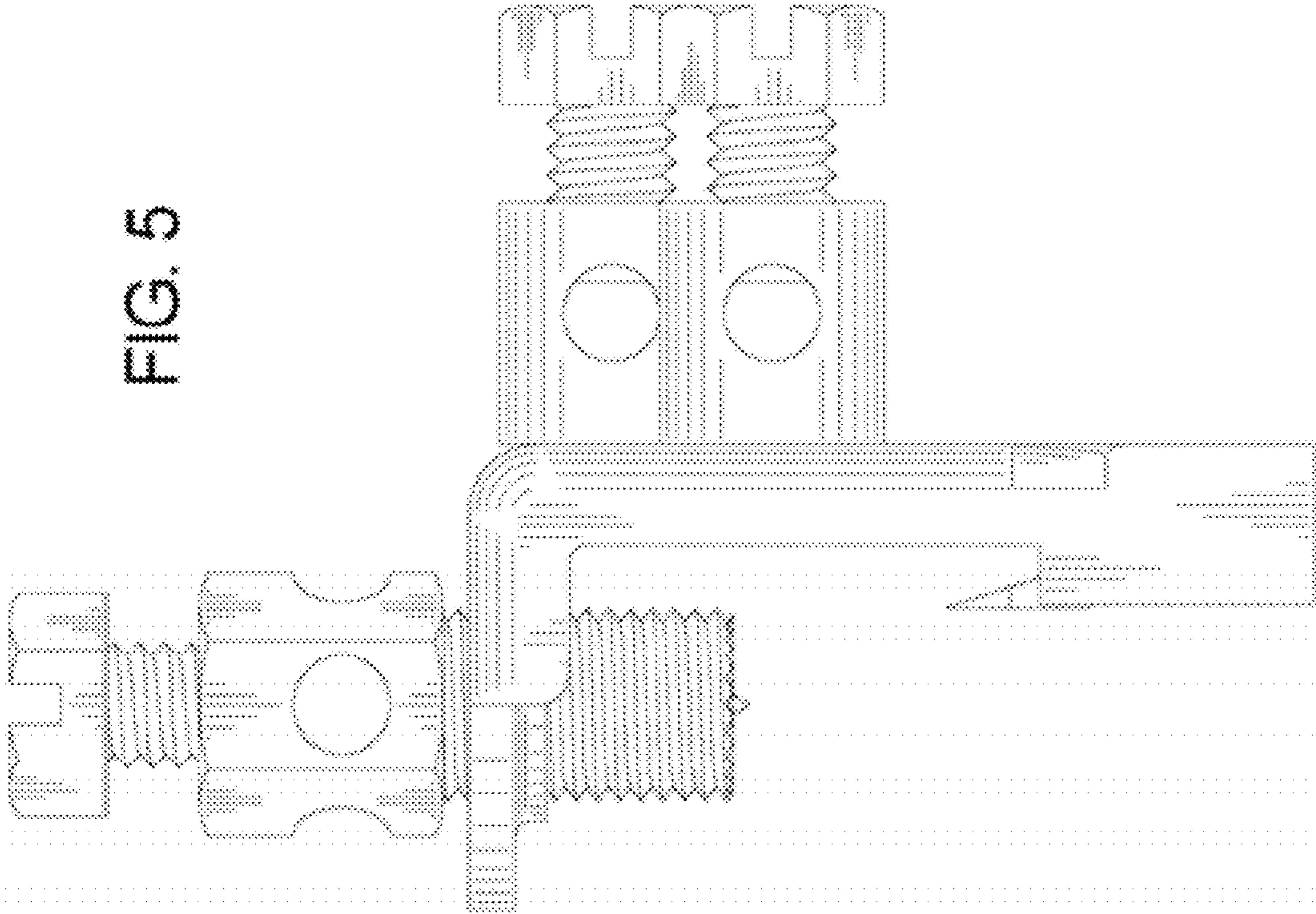


FIG. 5

FIG. 7

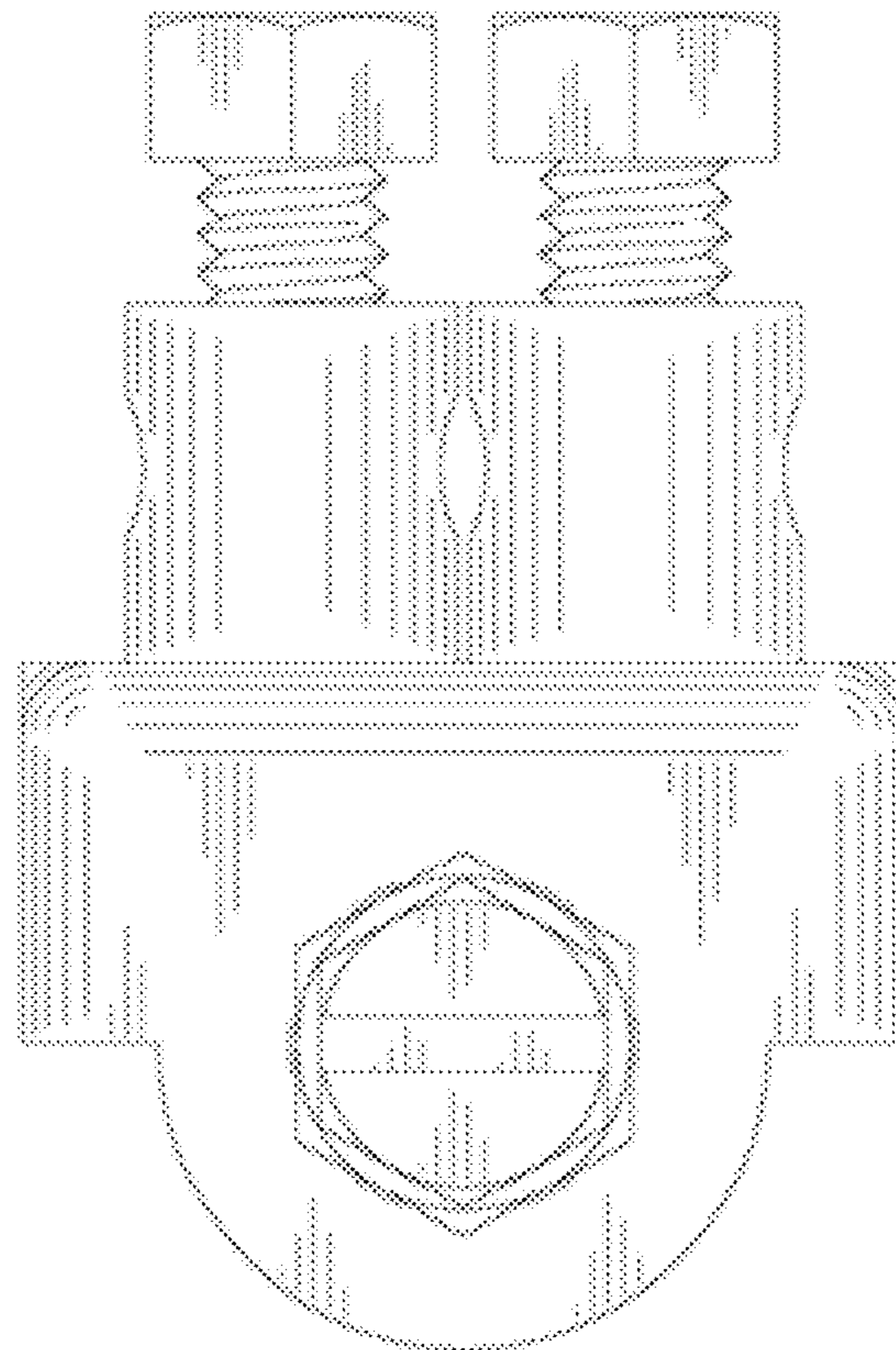


FIG. 8

