



US00D700493S

(12) **United States Design Patent**  
**Roberts et al.**

(10) **Patent No.:** **US D700,493 S**  
(45) **Date of Patent:** **\*\* Mar. 4, 2014**

(54) **SCISSORS**

(71) Applicant: **Iittala Group Oy Ab**, Helsinki (FI)  
(72) Inventors: **Colin Roberts**, Stevens Point, WI (US);  
**Daniel Cunningham**, Edgerton, WI (US); **Daniel J. Lipscomb**, Prairie Du Sac, WI (US); **Heikki Savotainen**, Helsinki (FI)  
(73) Assignee: **Iittala Group Oy Ab**, Helsinki (FI)  
(\*\*) Term: **14 Years**

(21) Appl. No.: **29/432,860**  
(22) Filed: **Sep. 21, 2012**  
(51) **LOC (10) Cl.** ..... **08-03**  
(52) **U.S. Cl.**  
USPC ..... **D8/57**  
(58) **Field of Classification Search**  
USPC ..... D8/4, 5, 51-58, 105, 107; D21/532;  
D27/195; D28/44; D7/693; D24/148;  
30/131, 195, 229, 194, 230-235, 268,  
30/350, 254-258; 7/135, 136  
See application file for complete search history.

(56) **References Cited**

U.S. PATENT DOCUMENTS

3,533,162	A *	10/1970	Pacitti	30/260
3,651,573	A *	3/1972	Kaplan	30/226
3,869,792	A *	3/1975	Laurenti	30/254
D272,227	S *	1/1984	Linden et al.	D8/57
D296,361	S *	6/1988	Gerich et al.	D24/143
D301,678	S *	6/1989	Linden	D8/57
D393,193	S *	4/1998	Schneider et al.	D8/57
D395,584	S *	6/1998	Gstalder	D8/57
D402,174	S *	12/1998	Gstalder	D8/57
D432,378	S *	10/2000	Gstalder	D8/57
D472,121	S *	3/2003	Wolff	D8/57
D502,371	S *	3/2005	Pia	D8/57
D502,853	S *	3/2005	Peterson	D8/57

(Continued)

FOREIGN PATENT DOCUMENTS

EM 001884826-0001 6/2011  
EM 001884826-0002 6/2011

(Continued)

OTHER PUBLICATIONS

U.S. Appl. No. 29/432,862, filed Sep. 21, 2012, Roberts et al.

(Continued)

*Primary Examiner* — Deanna L Pratt

(74) *Attorney, Agent, or Firm* — Foley & Lardner LLP

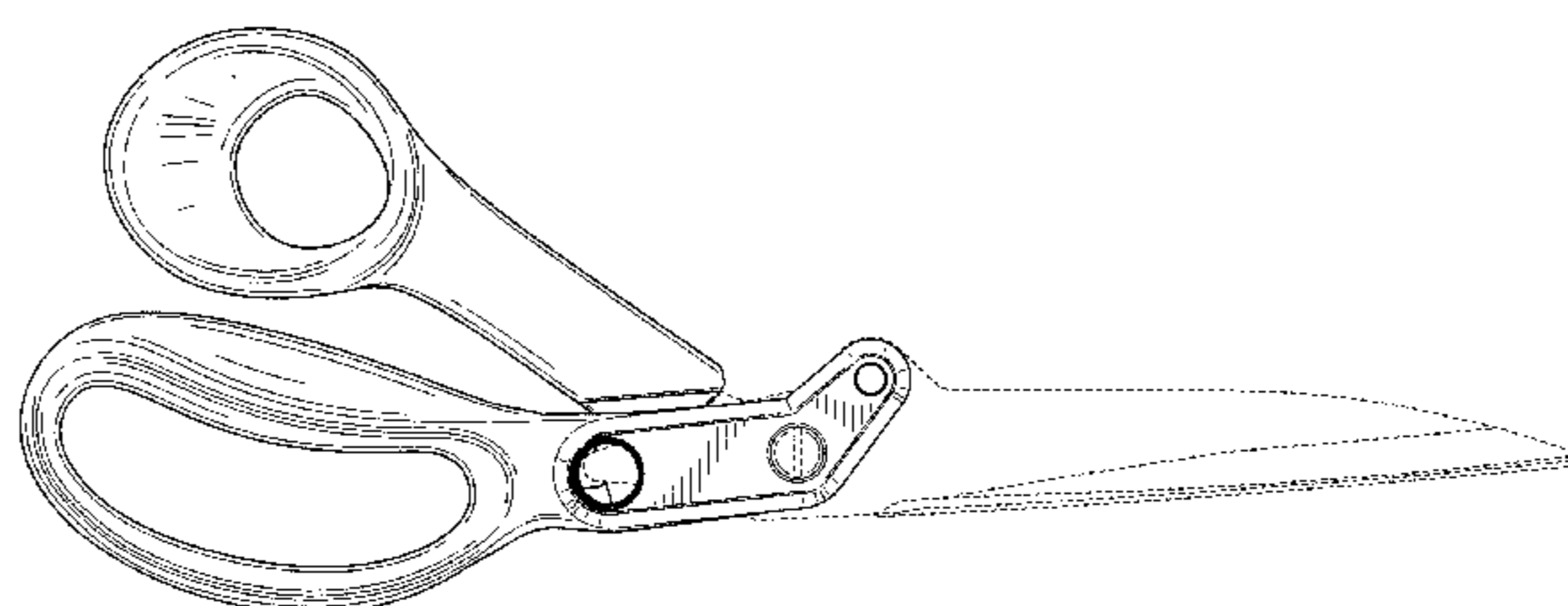
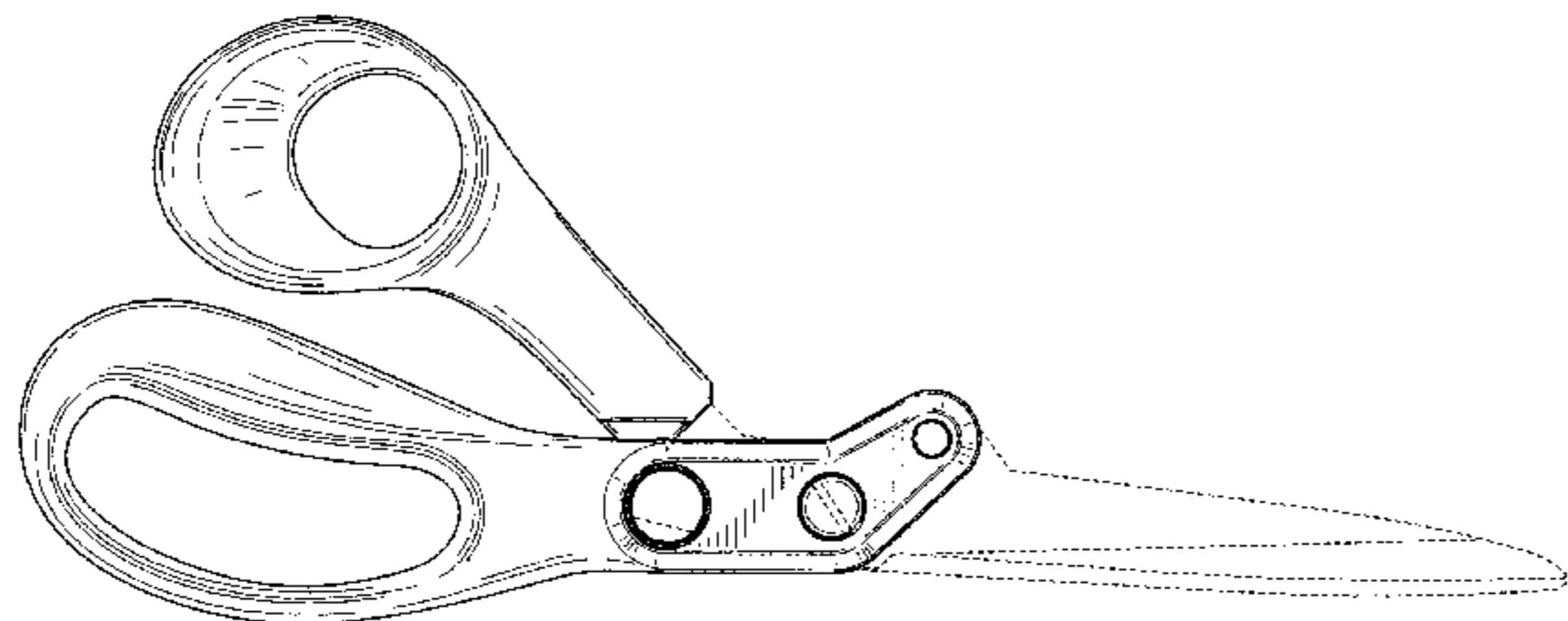
(57) **CLAIM**

The ornamental design for scissors, as shown and described.

**DESCRIPTION**

FIG. 1 is an isometric view of a first embodiment of the claimed design;  
FIG. 2 is a left side elevational view thereof;  
FIG. 3 is a right side elevational view thereof;  
FIG. 4 is a top plan view thereof;  
FIG. 5 is a bottom plan view thereof;  
FIG. 6 is a front elevational view thereof;  
FIG. 7 is a rear elevational view thereof.  
FIG. 8 is an isometric view of a second embodiment of the claimed design;  
FIG. 9 is a left side elevational view thereof;  
FIG. 10 is a right side elevational view thereof;  
FIG. 11 is a top plan view thereof;  
FIG. 12 is a bottom plan view thereof;  
FIG. 13 is a front elevational view thereof; and,  
FIG. 14 is a rear elevational view thereof.  
The ornamental design which is claimed is shown in solid lines in the drawings. The broken lines in the drawings illustrate portions of the scissors which form no part of the claimed design.

**1 Claim, 10 Drawing Sheets**



(56)

**References Cited**

U.S. PATENT DOCUMENTS

D532,268 S \* 11/2006 McLean ..... D8/57  
D551,929 S \* 10/2007 Peterson et al. .... D8/57  
D677,539 S \* 3/2013 Roberts et al. .... D8/57  
D678,022 S \* 3/2013 Roberts et al. .... D8/57  
D684,027 S \* 6/2013 Roberts et al. .... D8/57  
2013/0000131 A1\* 1/2013 Savolainen et al. .... 30/252

FOREIGN PATENT DOCUMENTS

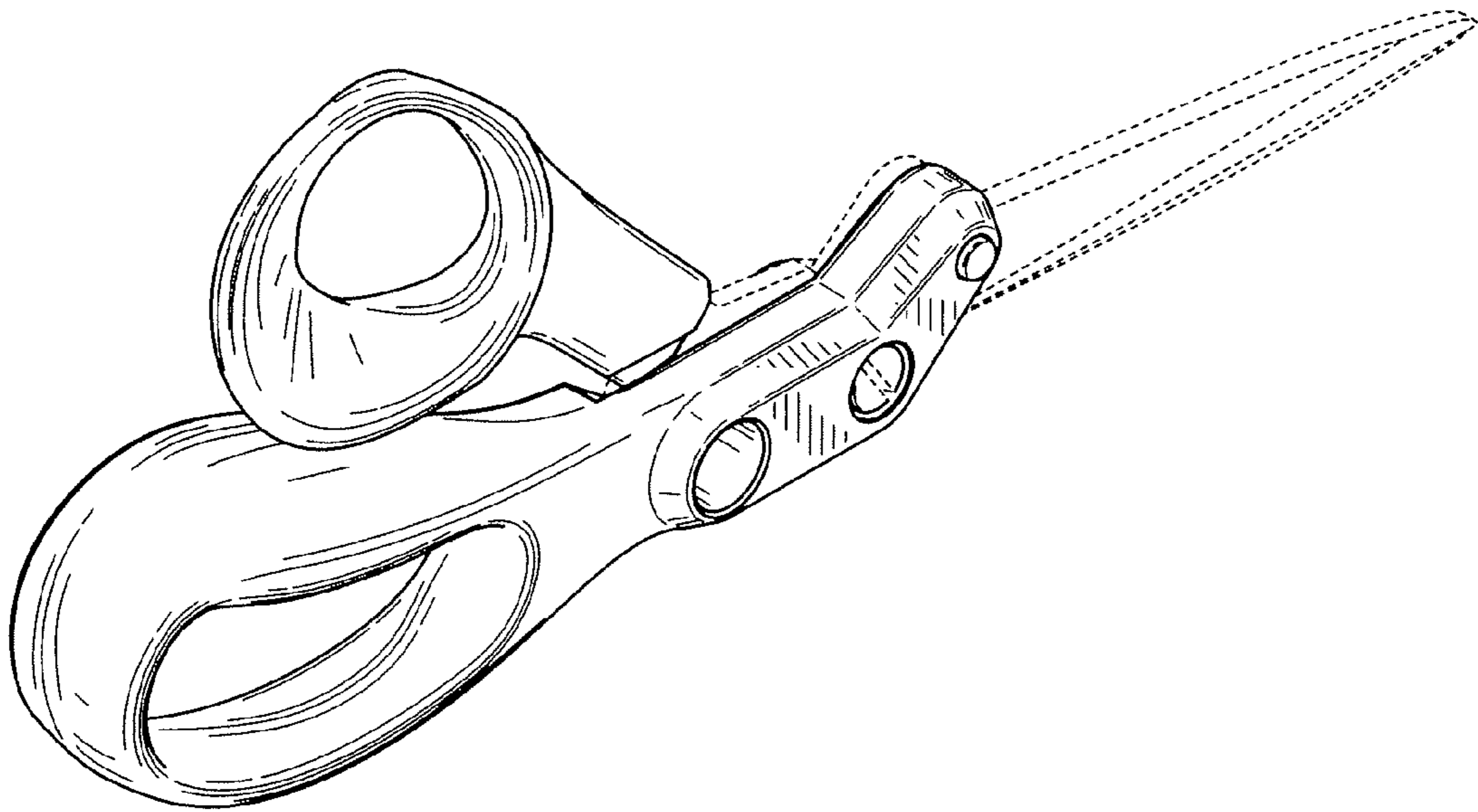
EM 001884826-0003 6/2011  
EM 001884826-0004 6/2011

EM 001884826-0005 6/2011  
EM 001884826-0006 6/2011  
EM 001884826-0007 6/2011  
EM 002063461-0001 6/2012  
EM 002063461-0002 6/2012  
EM 002063461-0003 6/2012

OTHER PUBLICATIONS

U.S. Appl. No. 29/432,861, filed Sep. 21, 2012, Roberts et al.

\* cited by examiner



**FIG. 1**

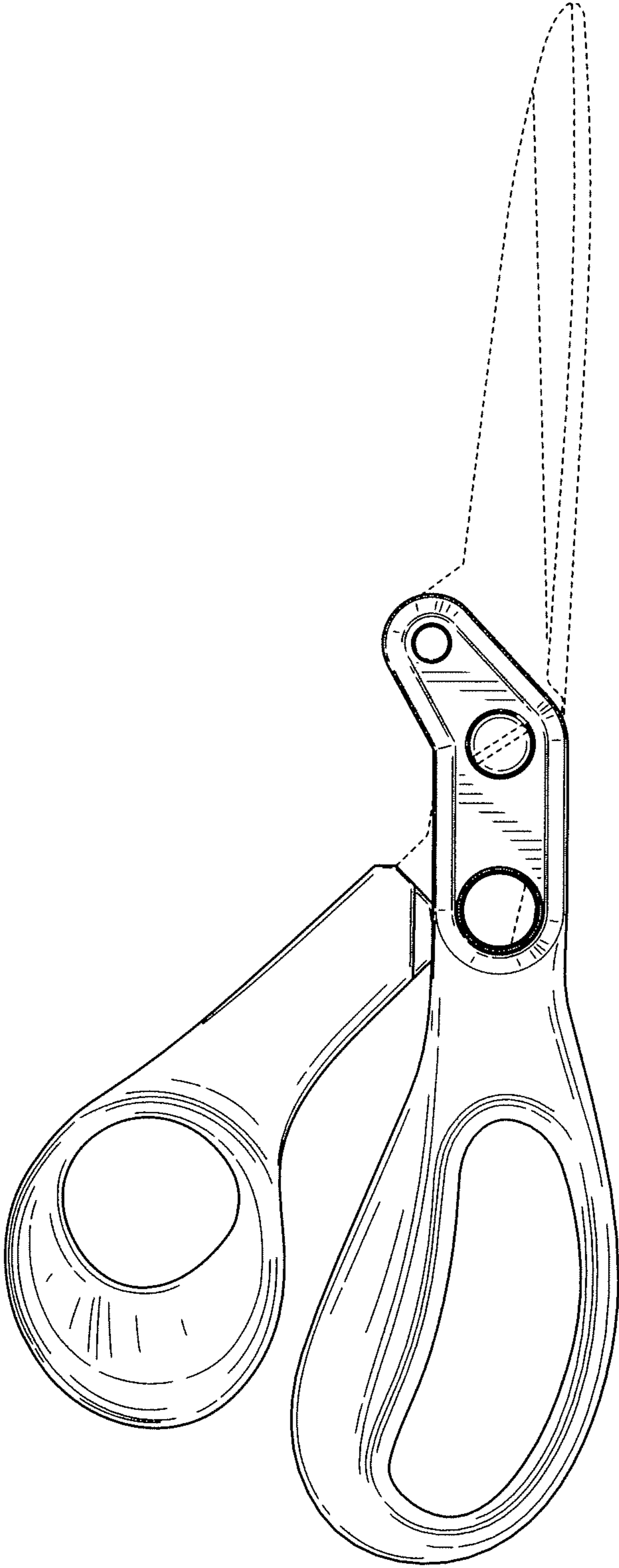


FIG. 2

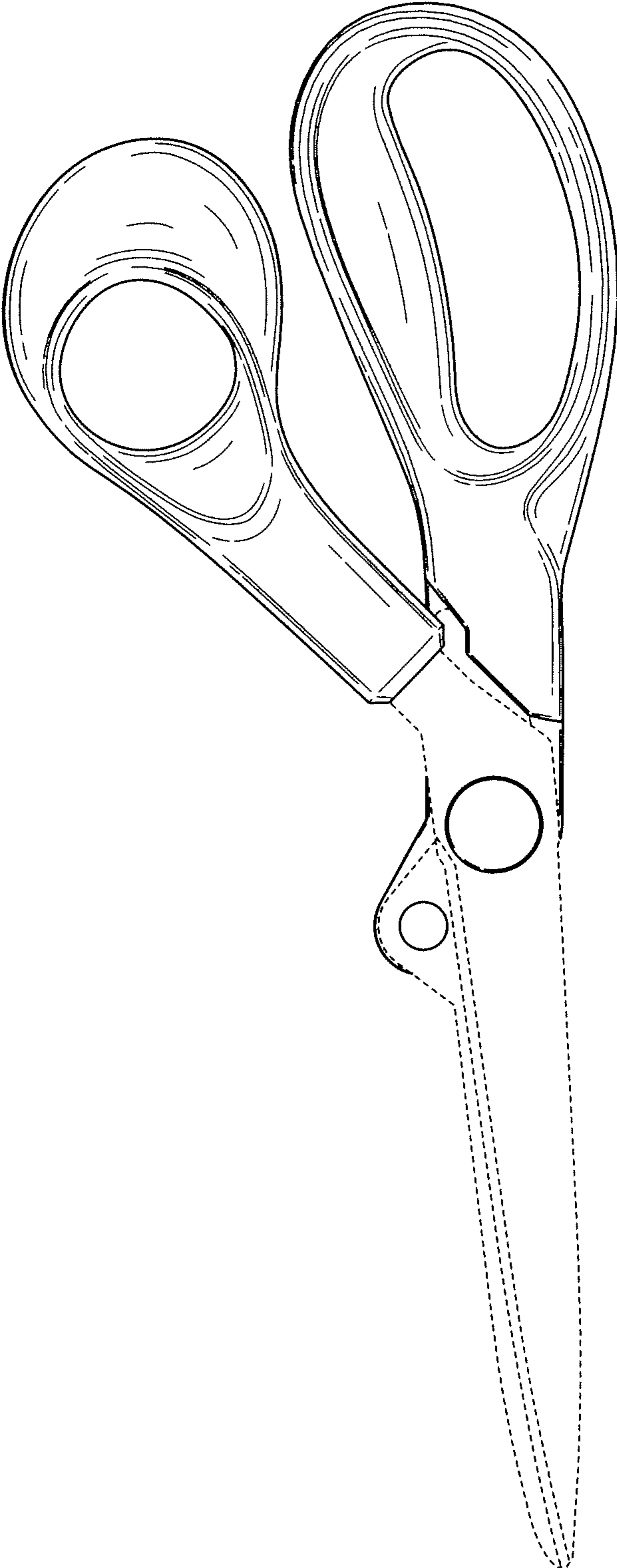


FIG. 3

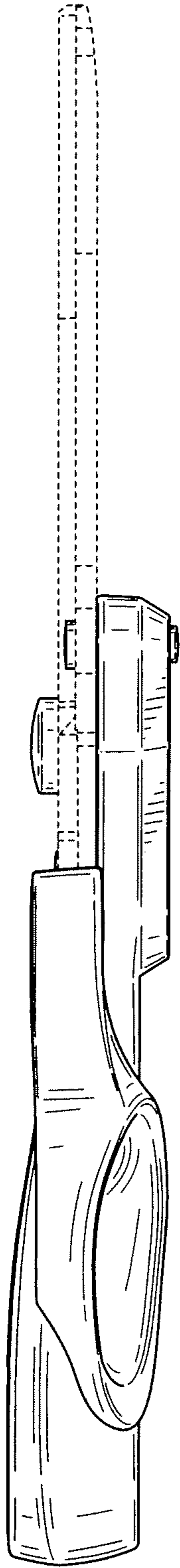


FIG. 4

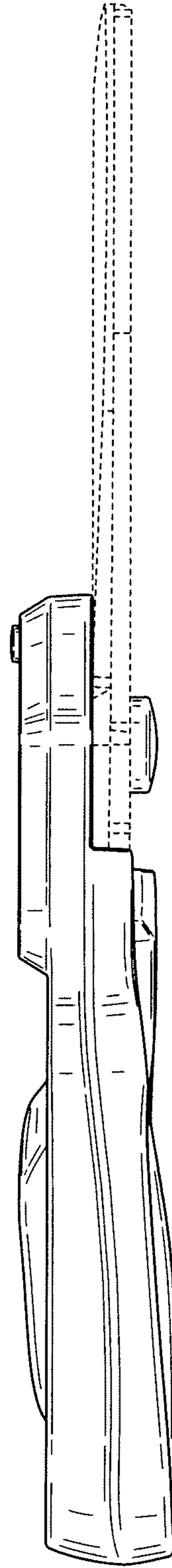
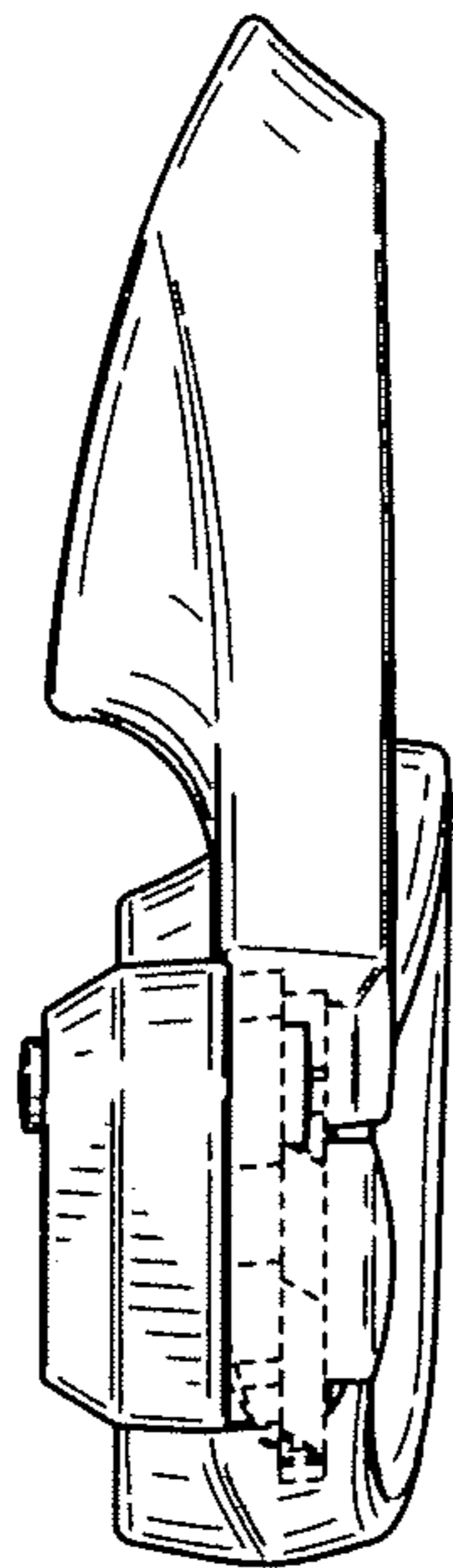
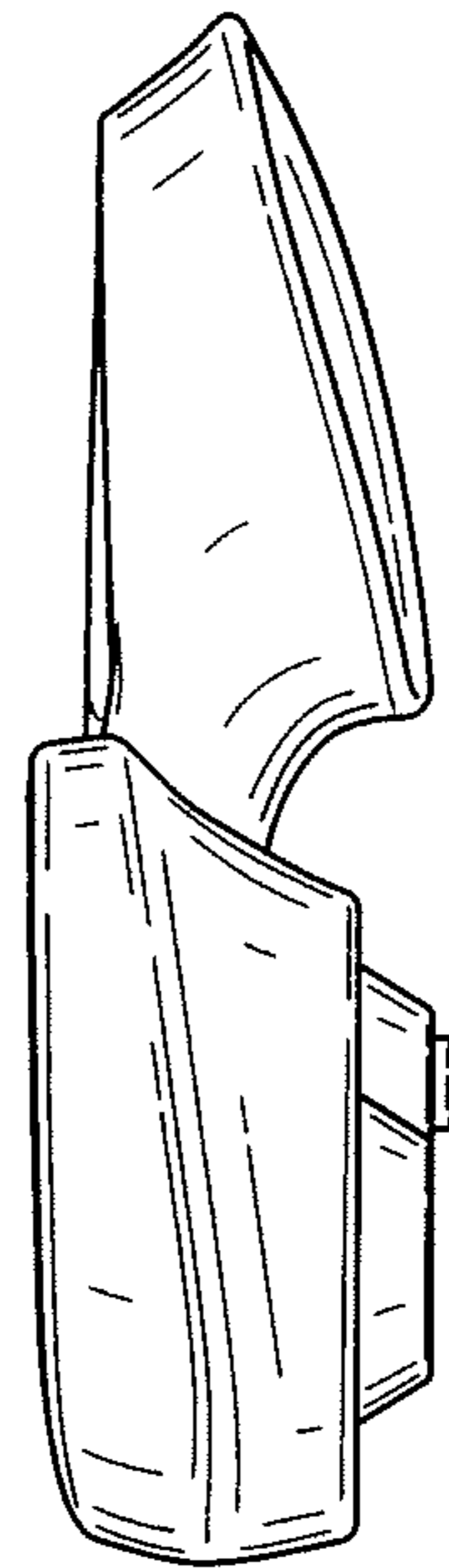


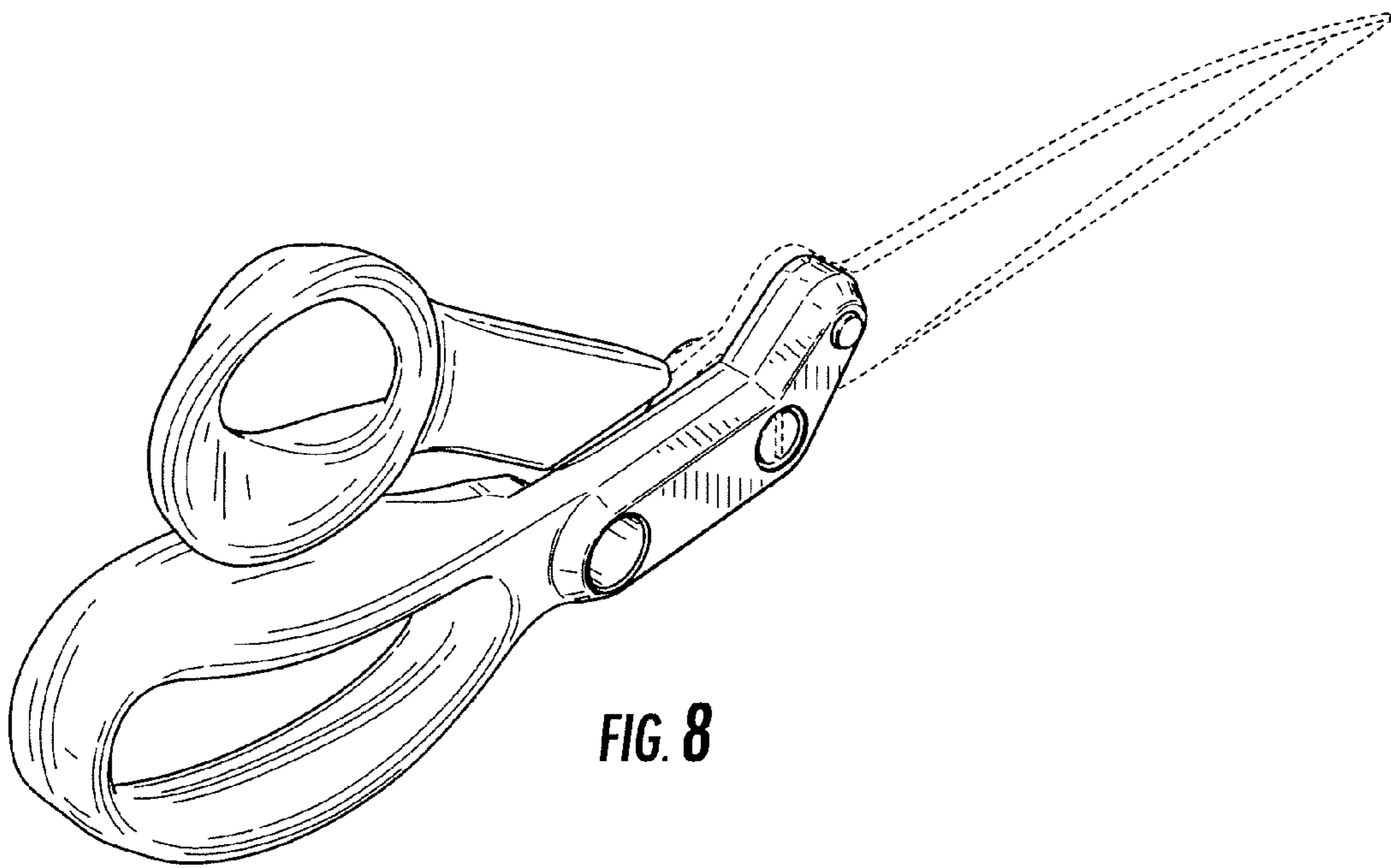
FIG. 5



**FIG. 6**



**FIG. 7**



**FIG. 8**



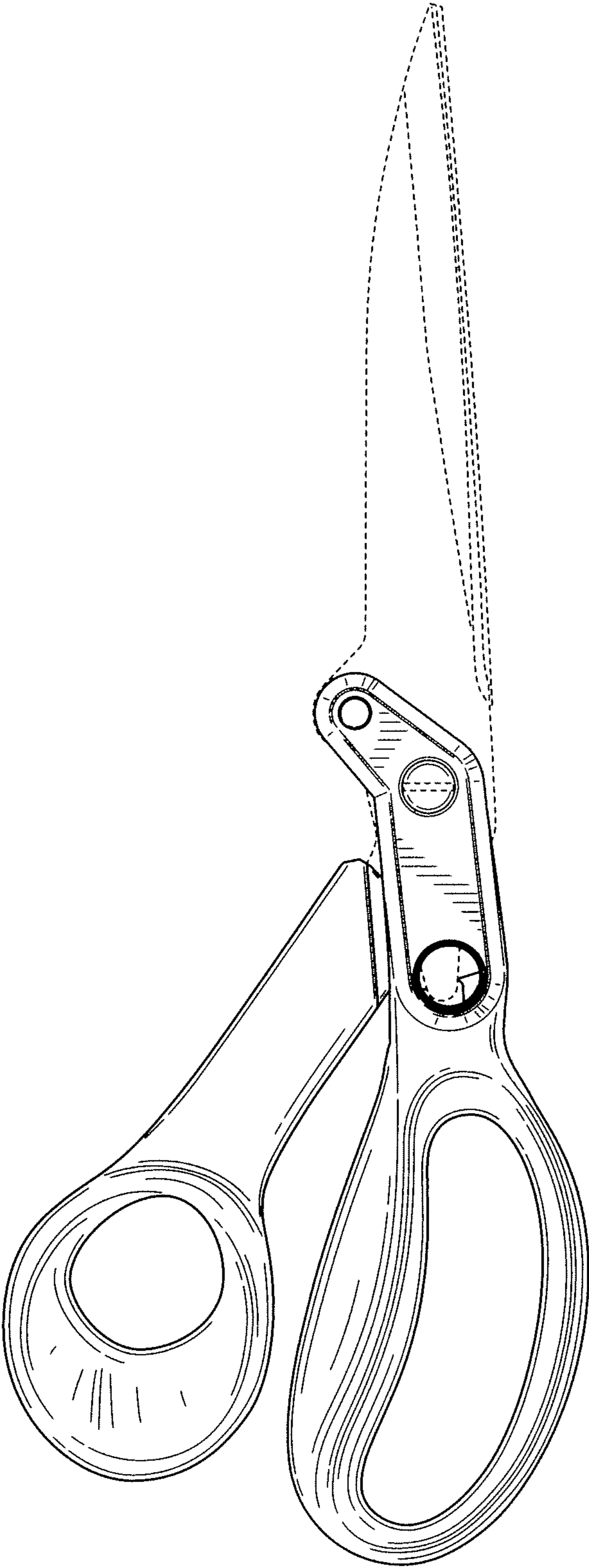


FIG. 9

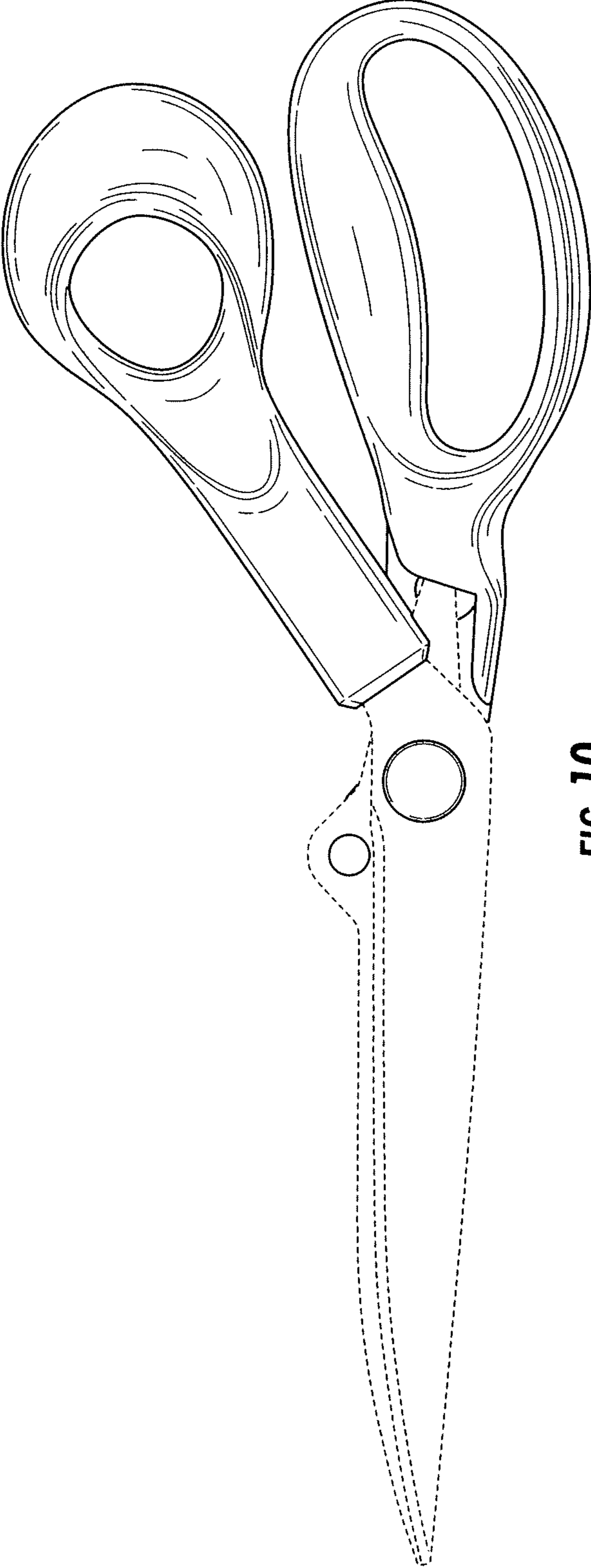
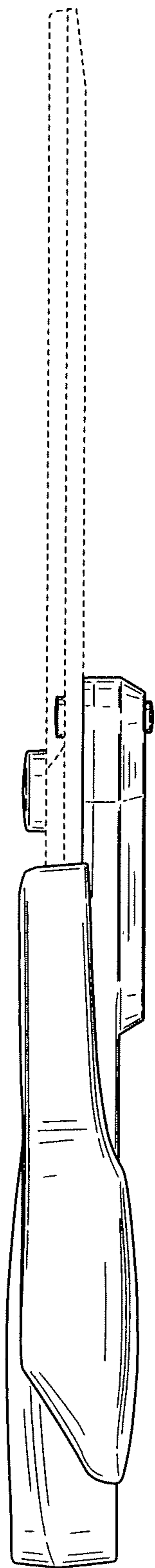
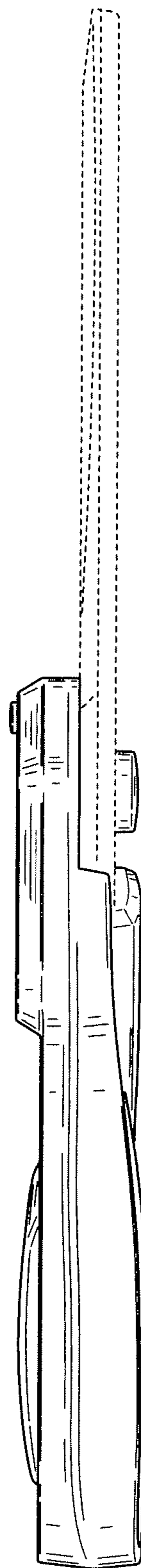


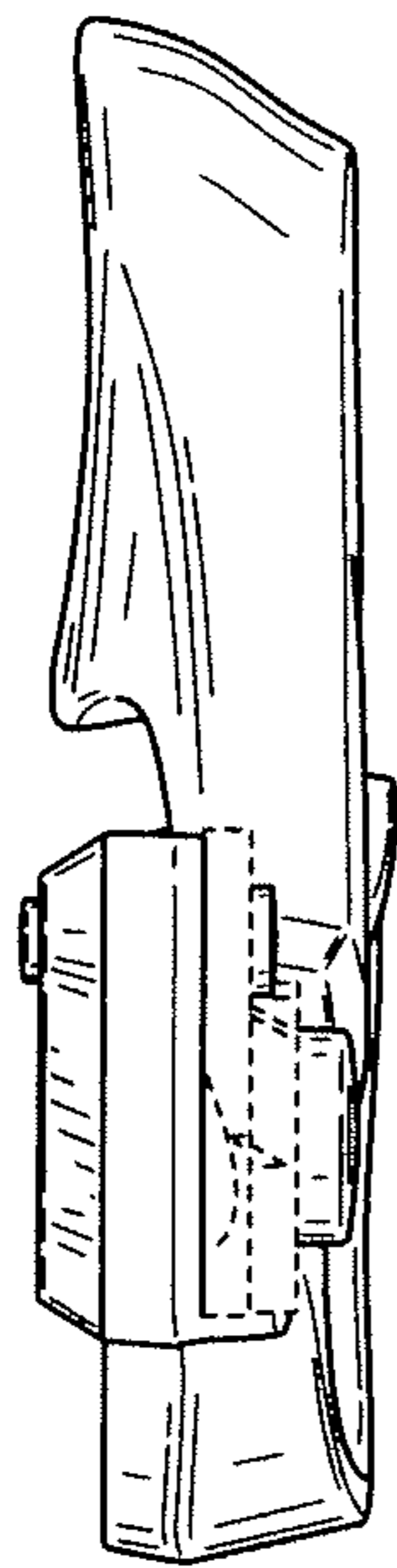
FIG. 10



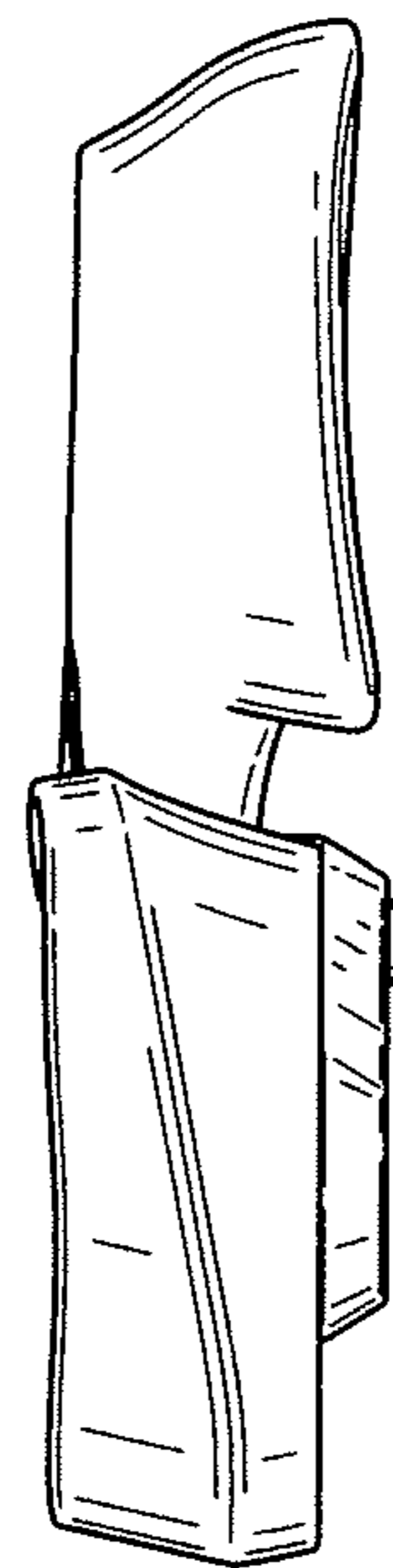
**FIG. 11**



**FIG. 12**



**FIG. 13**



**FIG. 14**