



US00D700488S

(12) **United States Design Patent**
Rapko et al.

(10) **Patent No.:** **US D700,488 S**
(45) **Date of Patent:** **** Mar. 4, 2014**

- (54) **STONE SETTING PEN**
- (75) Inventors: **Norma Rapko**, Castaic, CA (US); **Darin Rapko**, Castaic, CA (US)
- (73) Assignee: **Rapko Corp.**, Castaic, CA (US)
- (**) Term: **14 Years**
- (21) Appl. No.: **29/411,688**
- (22) Filed: **Jan. 25, 2012**
- (51) **LOC (10) Cl.** **08-05**
- (52) **U.S. Cl.**
USPC **D8/51**
- (58) **Field of Classification Search**
USPC D8/51, 52, 394; 81/7; 408/181; 29/10
See application file for complete search history.

D373,634 S * 9/1996 Brown D24/133
 5,855,048 A * 1/1999 Synowicki et al. 29/10
 2009/0314795 A1 12/2009 Rapko et al.

* cited by examiner

Primary Examiner — Sheryl Lane

(74) *Attorney, Agent, or Firm* — Edwin A. Sisson, Attorney at Law, LLC

(57) **CLAIM**

The ornamental design for a stone setting pen, as shown and described.

DESCRIPTION

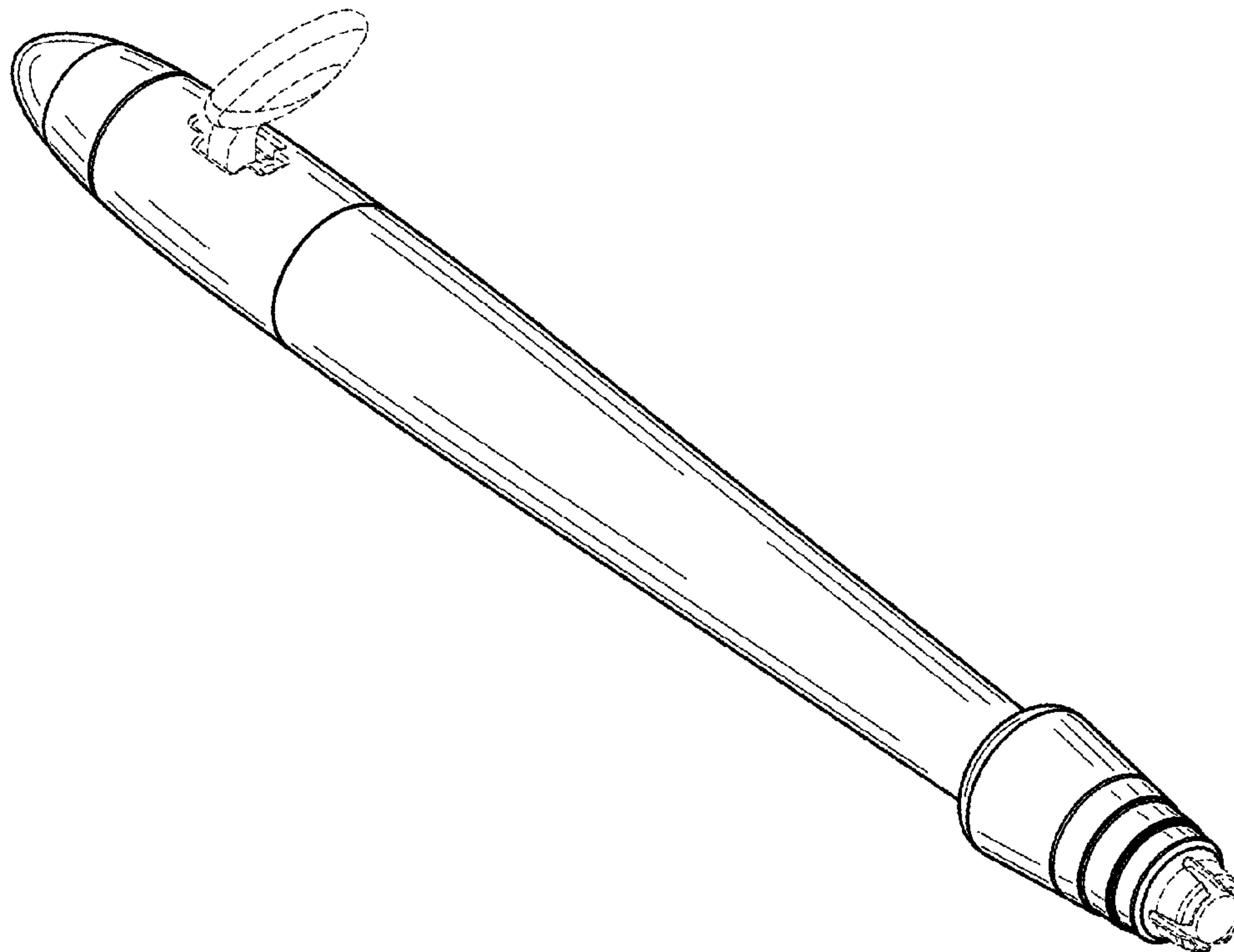
FIG. 1 is a left side perspective view of a stone setting pen showing our new design;
 FIG. 2 is a right side perspective view thereof;
 FIG. 3 is a partially exploded perspective view thereof;
 FIG. 4 is a front side elevational view thereof;
 FIG. 5 is a back side elevational view thereof;
 FIG. 6 is a left side elevational view thereof;
 FIG. 7 is a right side elevational view thereof;
 FIG. 8 is a bottom plan view thereof; and,
 FIG. 9 is a top plan view thereof.
 The broken lines form no part of the claimed design.

1 Claim, 6 Drawing Sheets

(56) **References Cited**

U.S. PATENT DOCUMENTS

- 1,397,124 A * 11/1921 Jonas 81/7
- 1,560,786 A * 11/1925 Hanson 408/181
- 2,533,870 A * 12/1950 Bayer 81/7
- 3,086,412 A * 4/1963 Preller 81/7



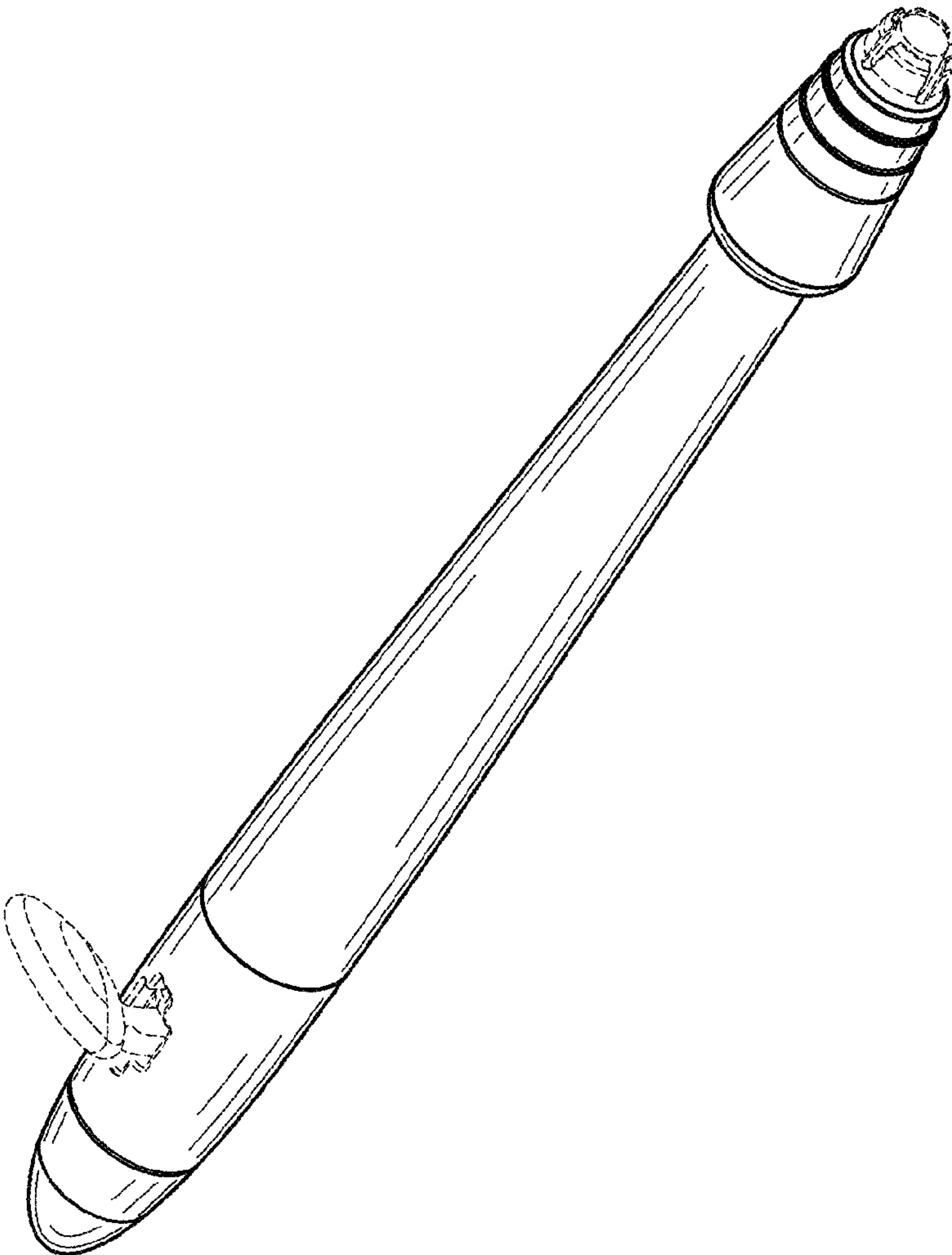


FIG. 1

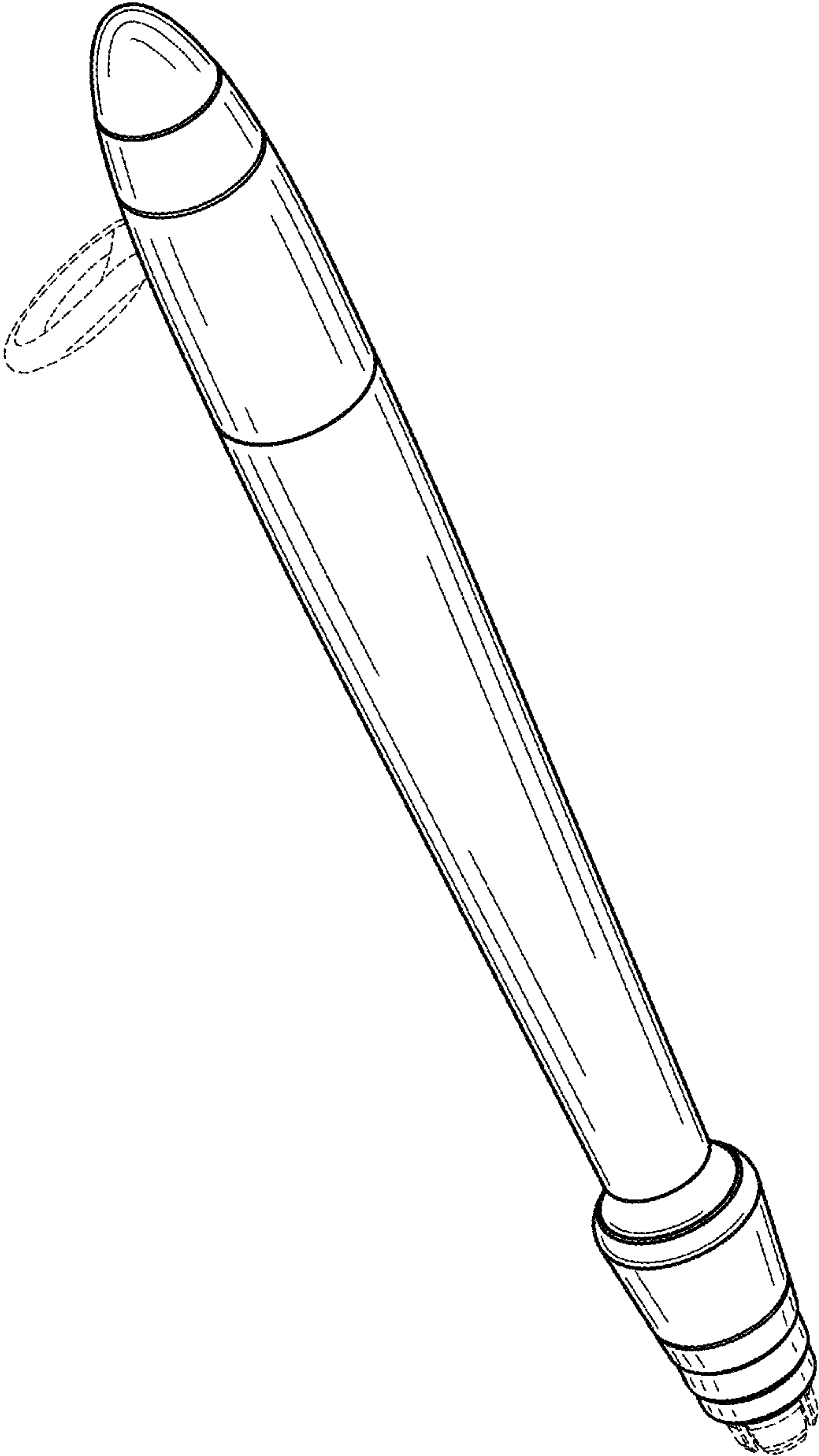


FIG. 2

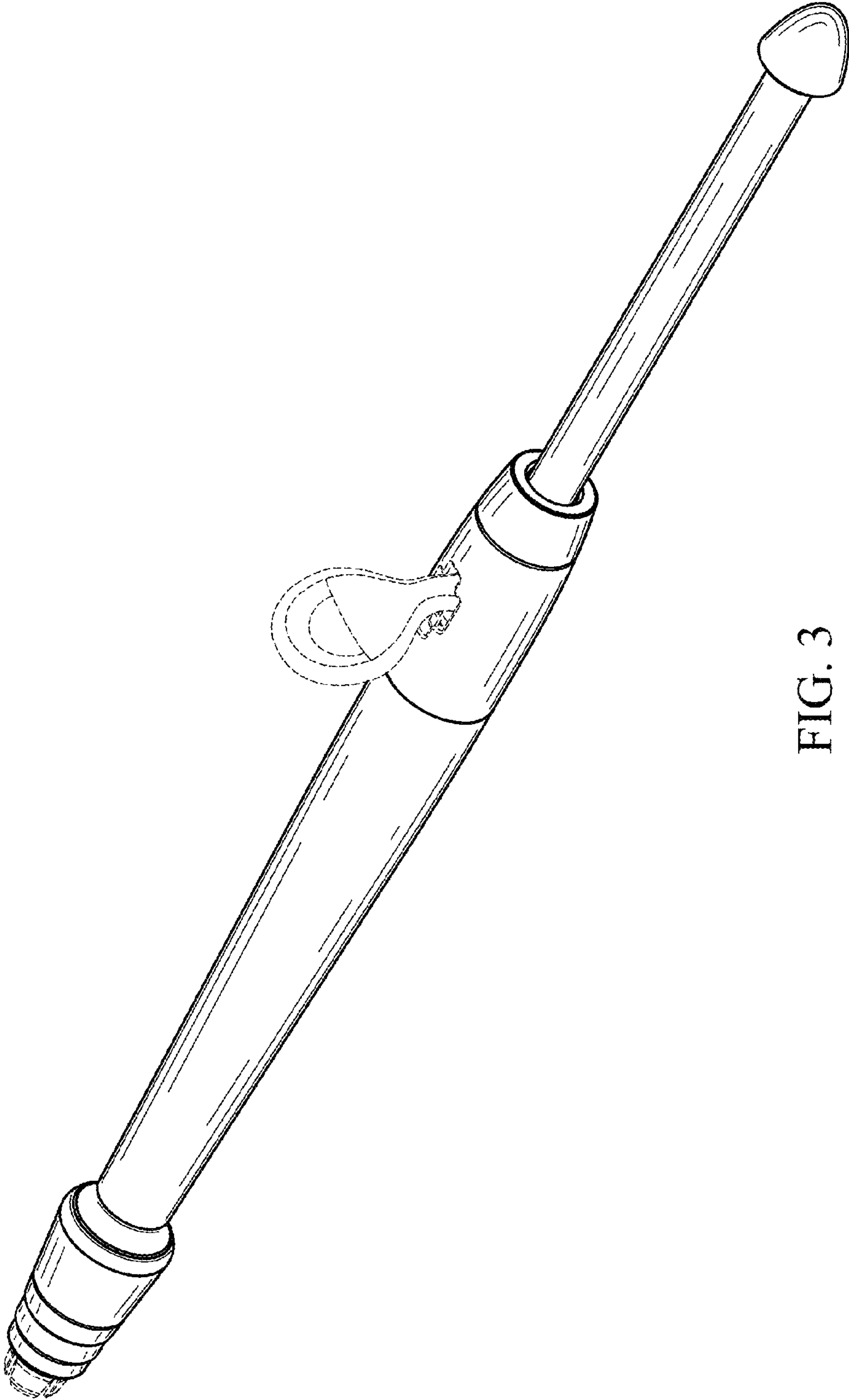


FIG. 3

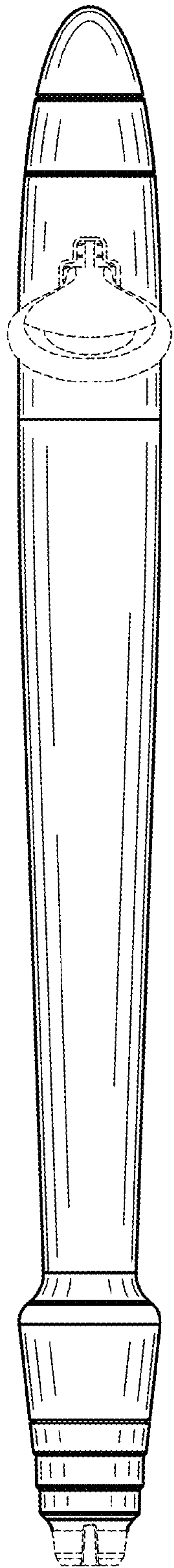


FIG. 4

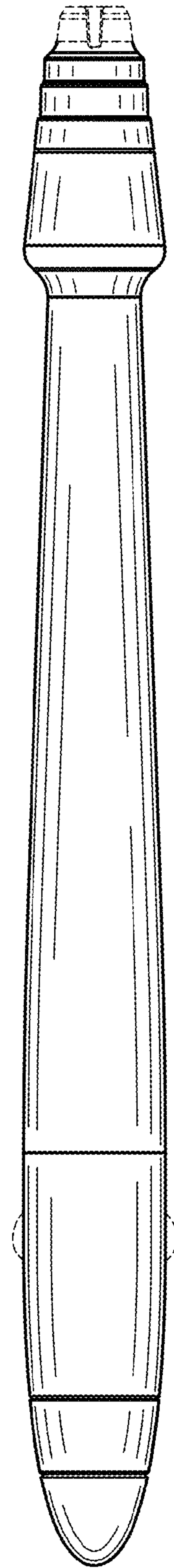


FIG. 5

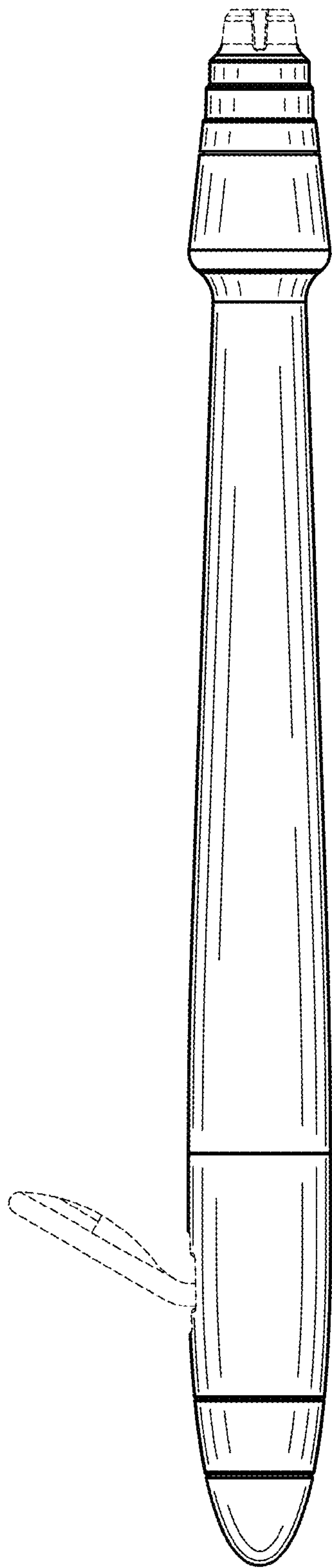


FIG. 6

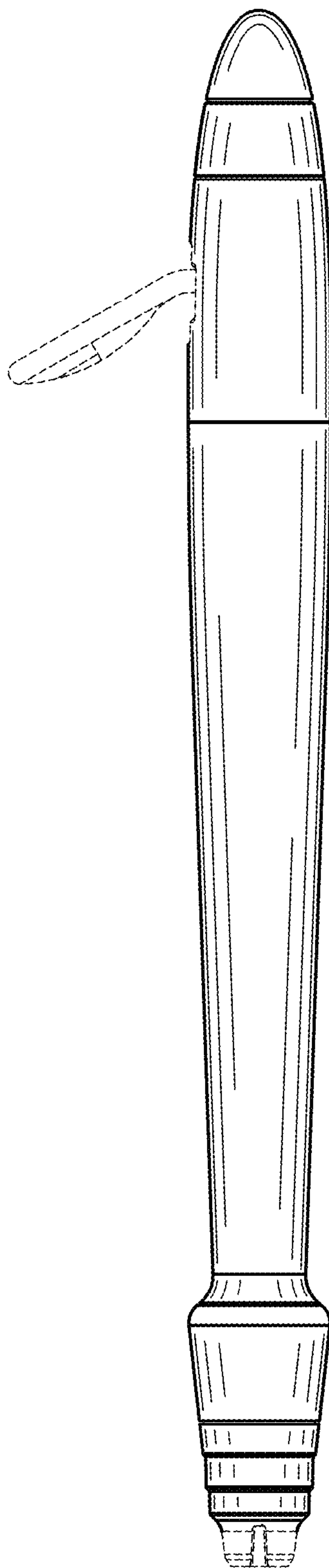


FIG. 7

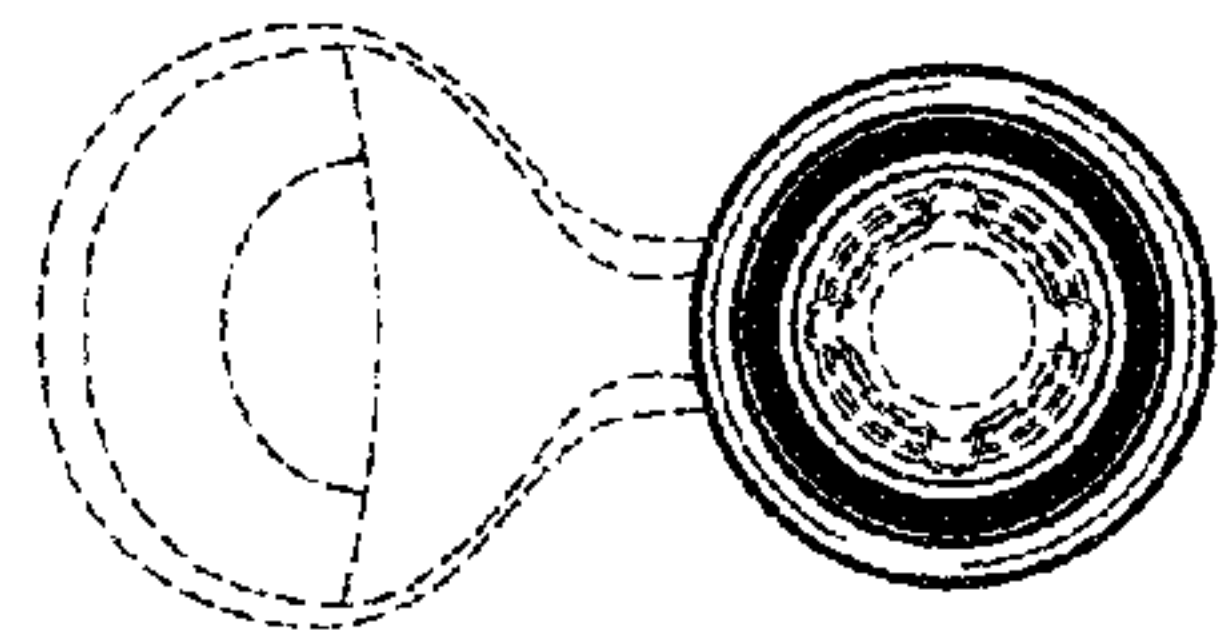


FIG. 8

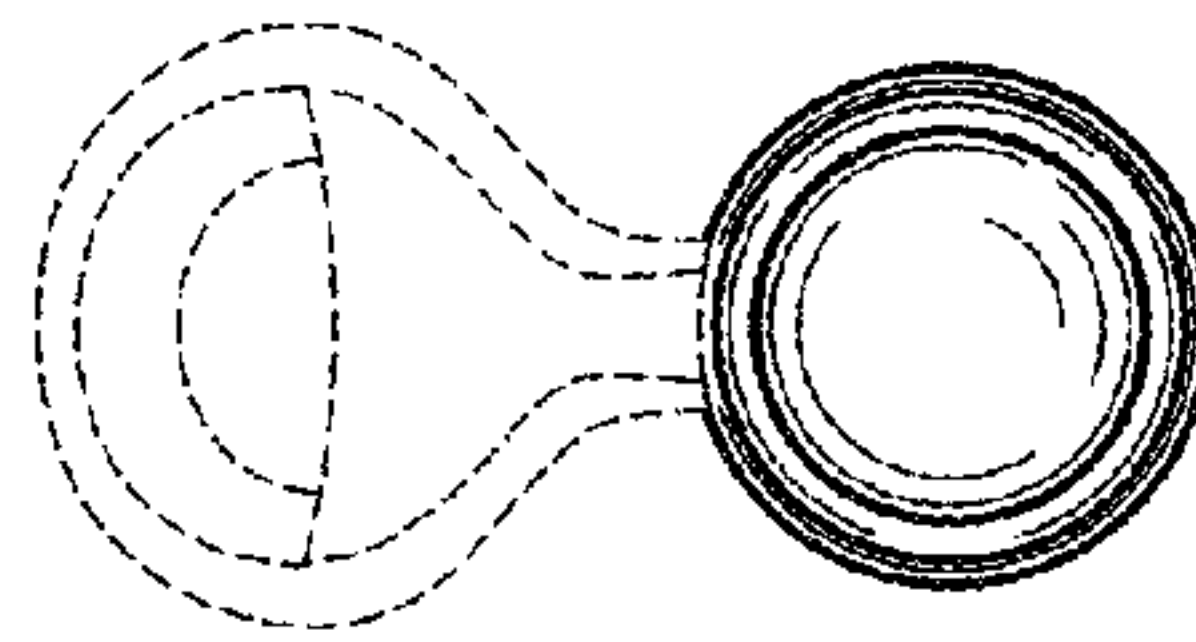


FIG. 9