



US00D700487S

(12) **United States Design Patent**
Deshpande et al.

(10) **Patent No.:** **US D700,487 S**
(45) **Date of Patent:** **** Mar. 4, 2014**

(54) **L-HANDLE TIE DOWN**

(56) **References Cited**

- (71) Applicant: **Cequent Consumer Products, Inc.**,
Solon, OH (US)
- (72) Inventors: **Dhananjay Deshpande**, Twinsburg, OH
(US); **Matt Romanak**, Garfield Heights,
OH (US)
- (73) Assignee: **Cequent Consumer Products**, Solon,
OH (US)
- (**) Term: **14 Years**
- (21) Appl. No.: **29/440,678**
- (22) Filed: **Dec. 26, 2012**

U.S. PATENT DOCUMENTS

4,227,286 A *	10/1980	Holmberg	24/68 CD
D494,831 S *	8/2004	Buchter	D8/107
D526,182 S *	8/2006	Jackson	D8/107
D526,183 S *	8/2006	Jackson	D8/107
7,448,596 B1 *	11/2008	Chang	254/223

* cited by examiner

Primary Examiner — Susan E Krakower

Assistant Examiner — Roselynn Cody

(74) *Attorney, Agent, or Firm* — McDonald Hopkins LLC

(57) **CLAIM**

The ornamental design for an L-handle tie down, as shown and described.

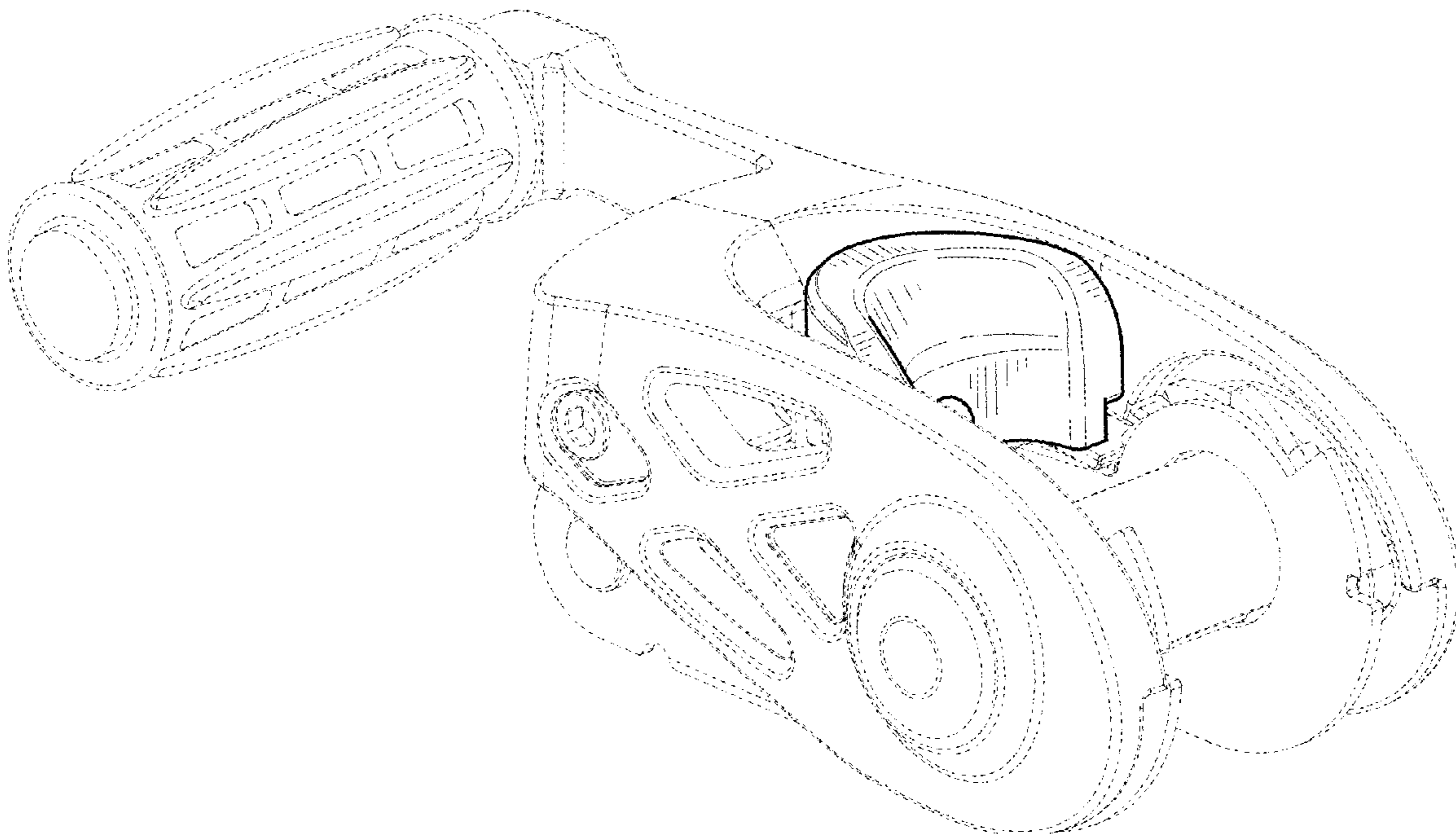
DESCRIPTION

FIG. 1 is a front, left, top perspective view of an L-handle tie down showing our new design;
 FIG. 2 is a front view thereof;
 FIG. 3 is a rear view thereof;
 FIG. 4 is a top view thereof;
 FIG. 5 is a bottom view thereof;
 FIG. 6 is a left side view thereof;
 FIG. 7 is a right side view thereof; and,
 FIG. 8 is a bottom perspective view thereof.
 The broken lines in the Figures are for illustrative purposes only and form no part of the claimed invention.

Related U.S. Application Data

- (60) Division of application No. 29/394,073, filed on Jun. 13, 2011, now Pat. No. Des. 679,972, which is a continuation of application No. 29/315,643, filed on Jul. 13, 2009, now Pat. No. Des. 639,626.
- (51) **LOC (10) Cl.** **08-05**
- (52) **U.S. Cl.**
USPC **D8/44; D8/107**
- (58) **Field of Classification Search**
USPC D8/14, 44, 107; 24/68 CD, 68 R, 68 E;
254/217–220, 223, 247–248; 410/100
See application file for complete search history.

1 Claim, 8 Drawing Sheets



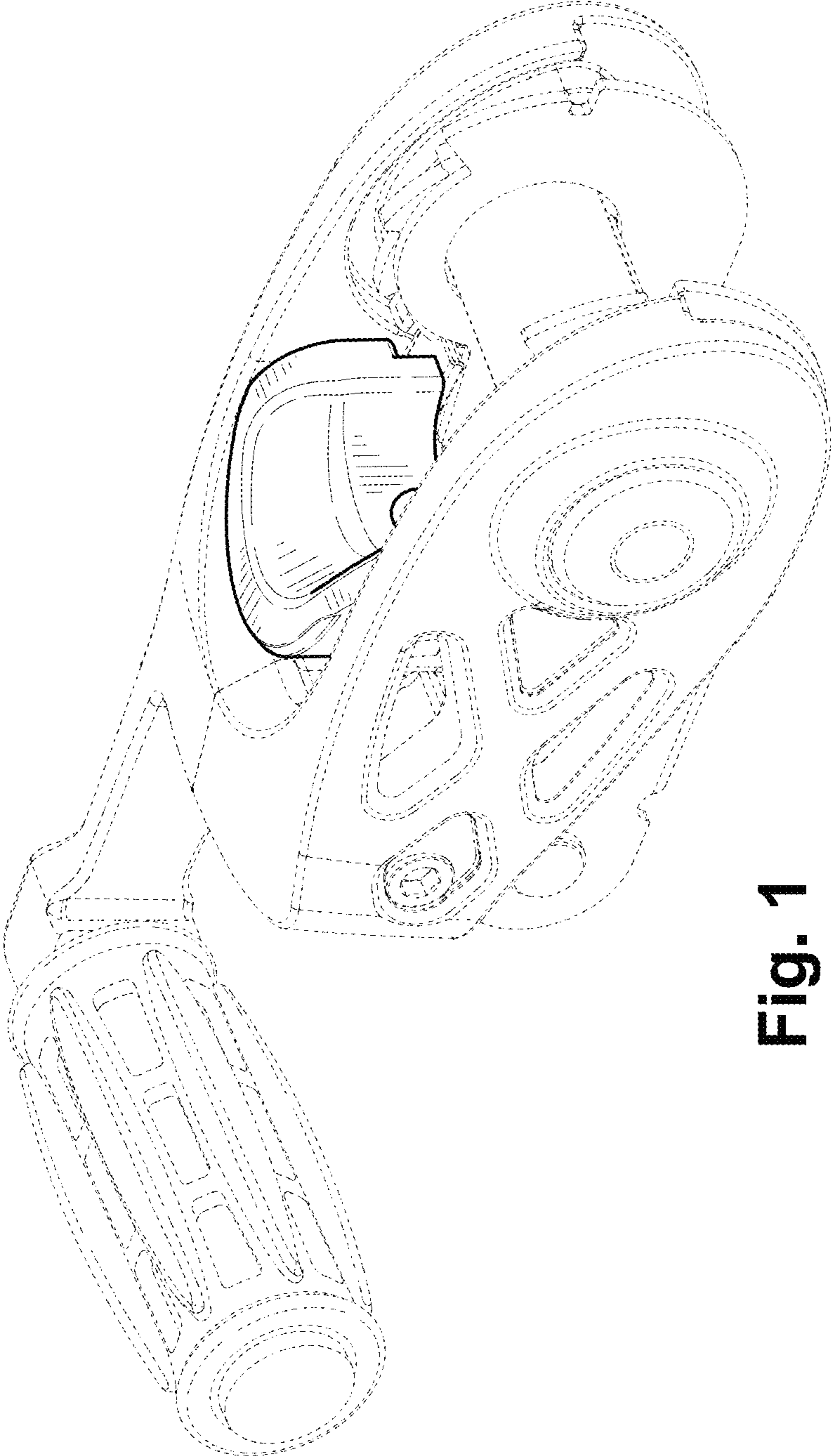


Fig. 1

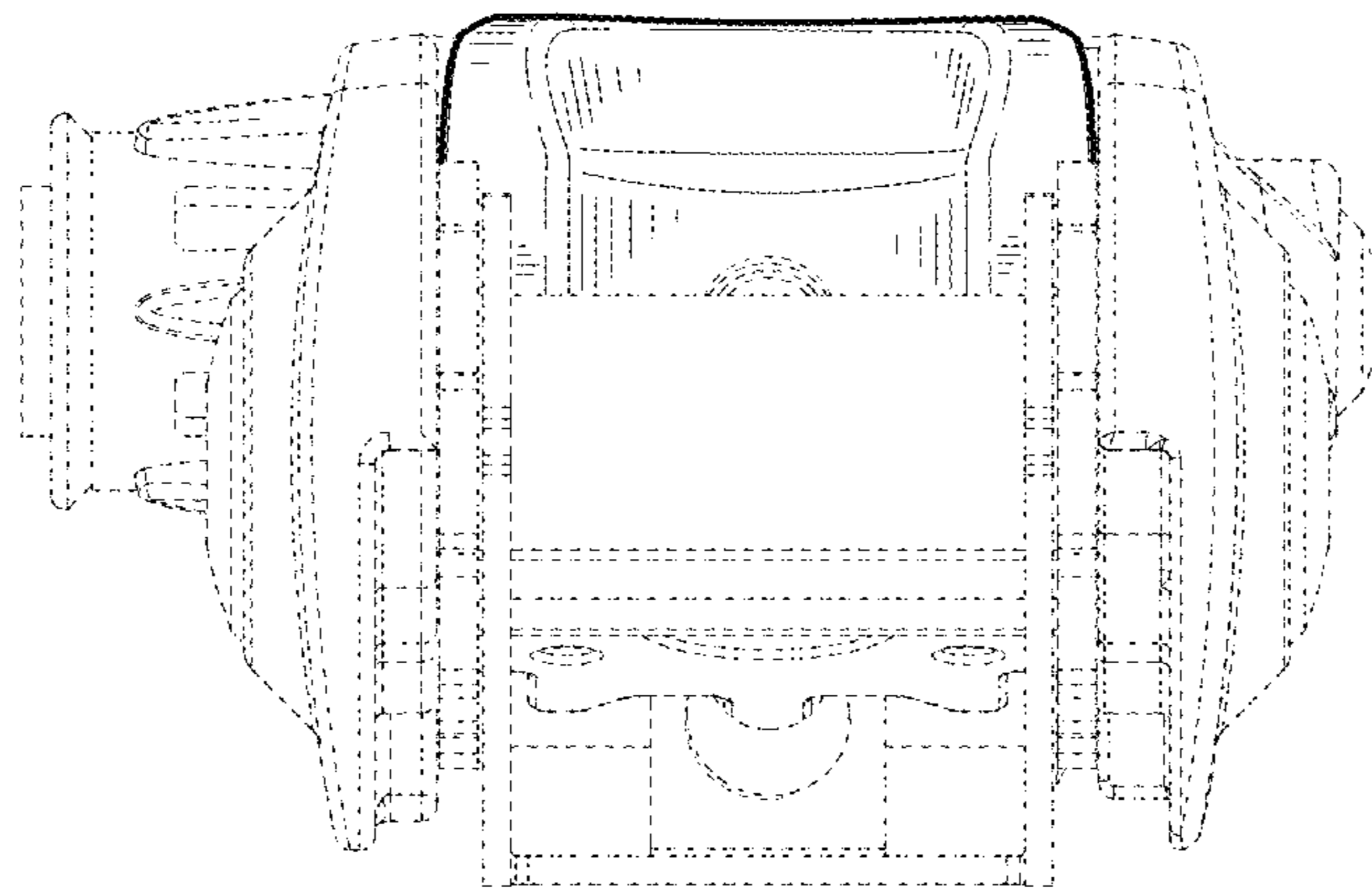


Fig. 2

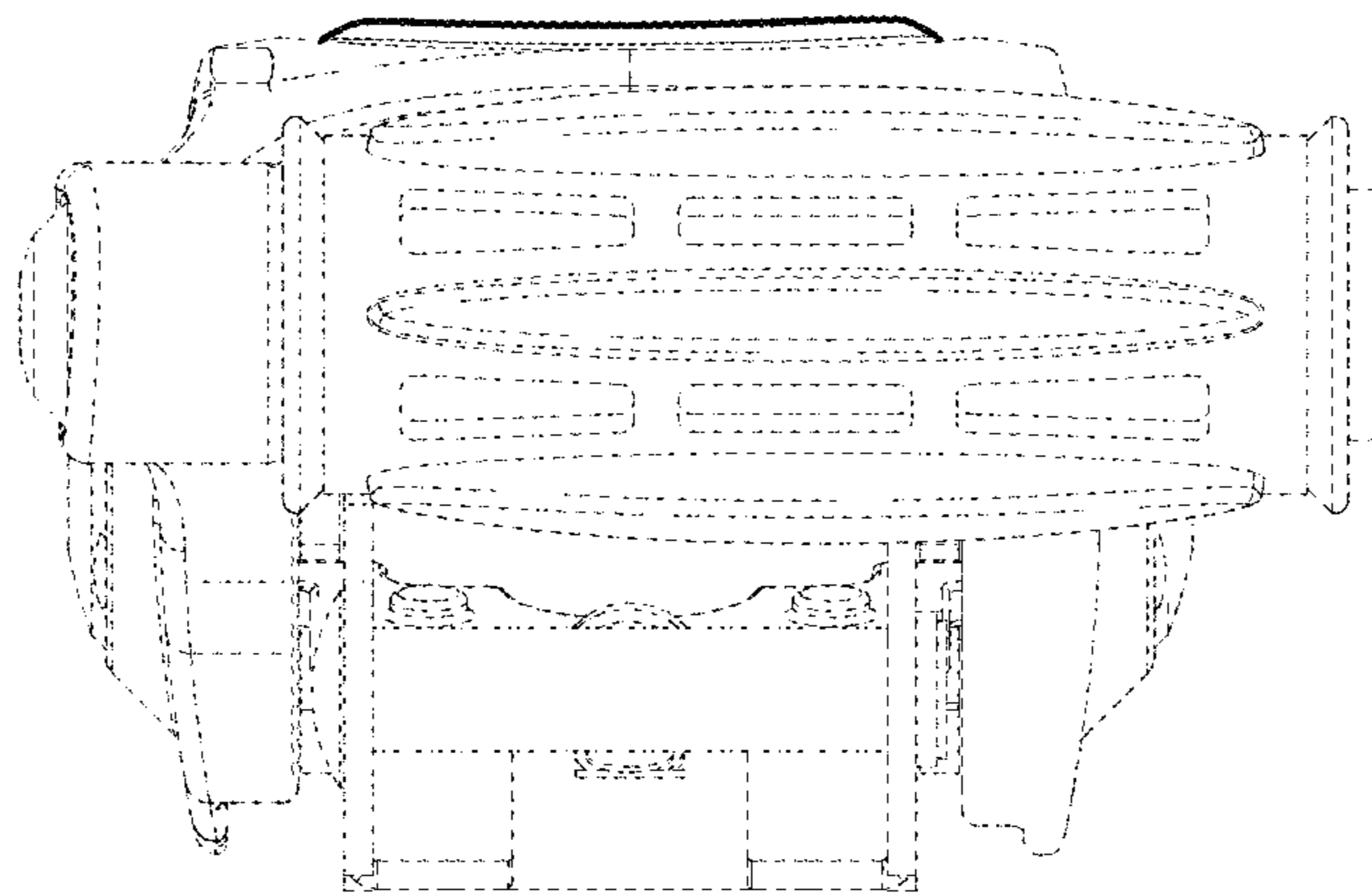


Fig. 3

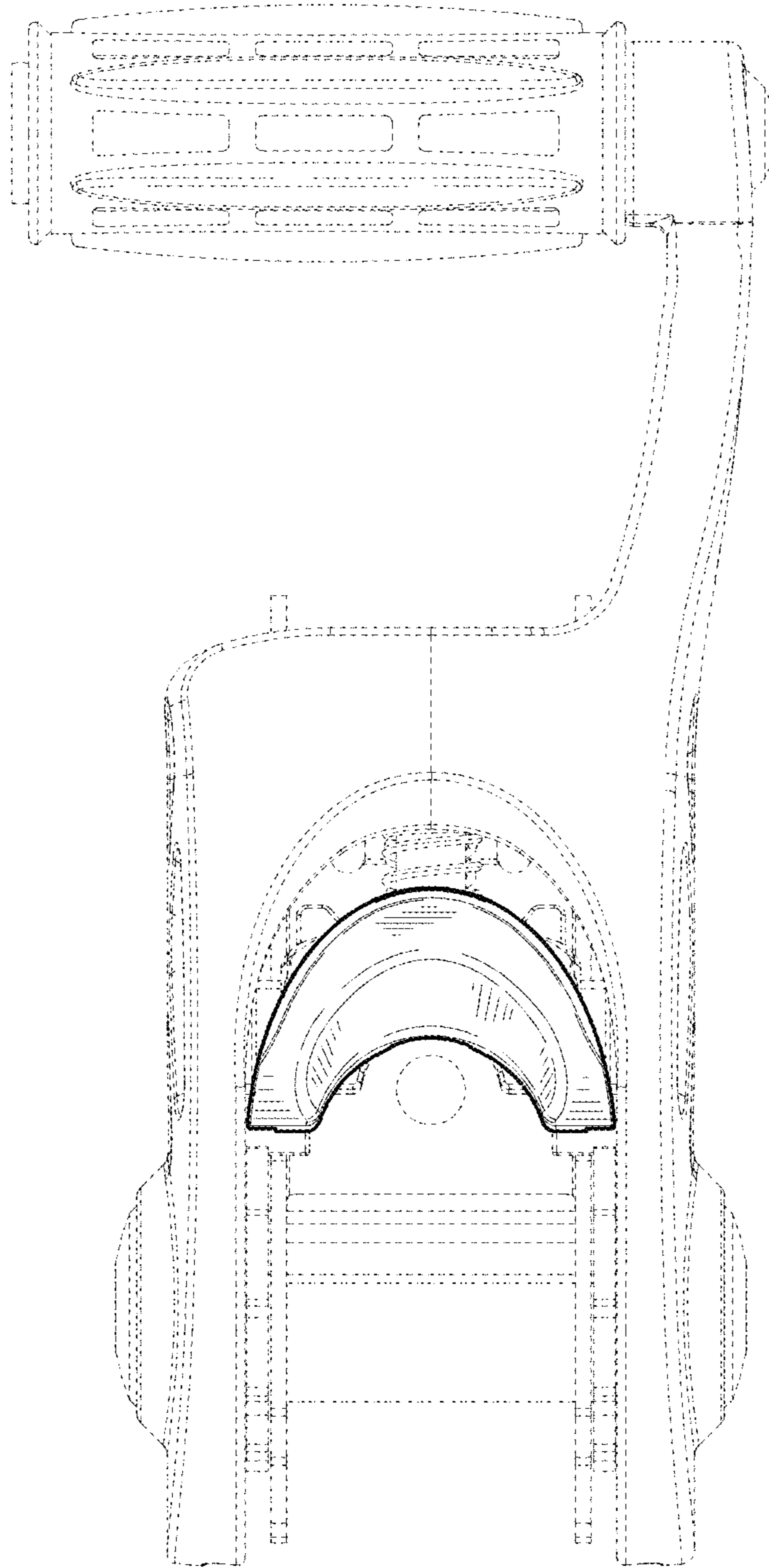


Fig. 4

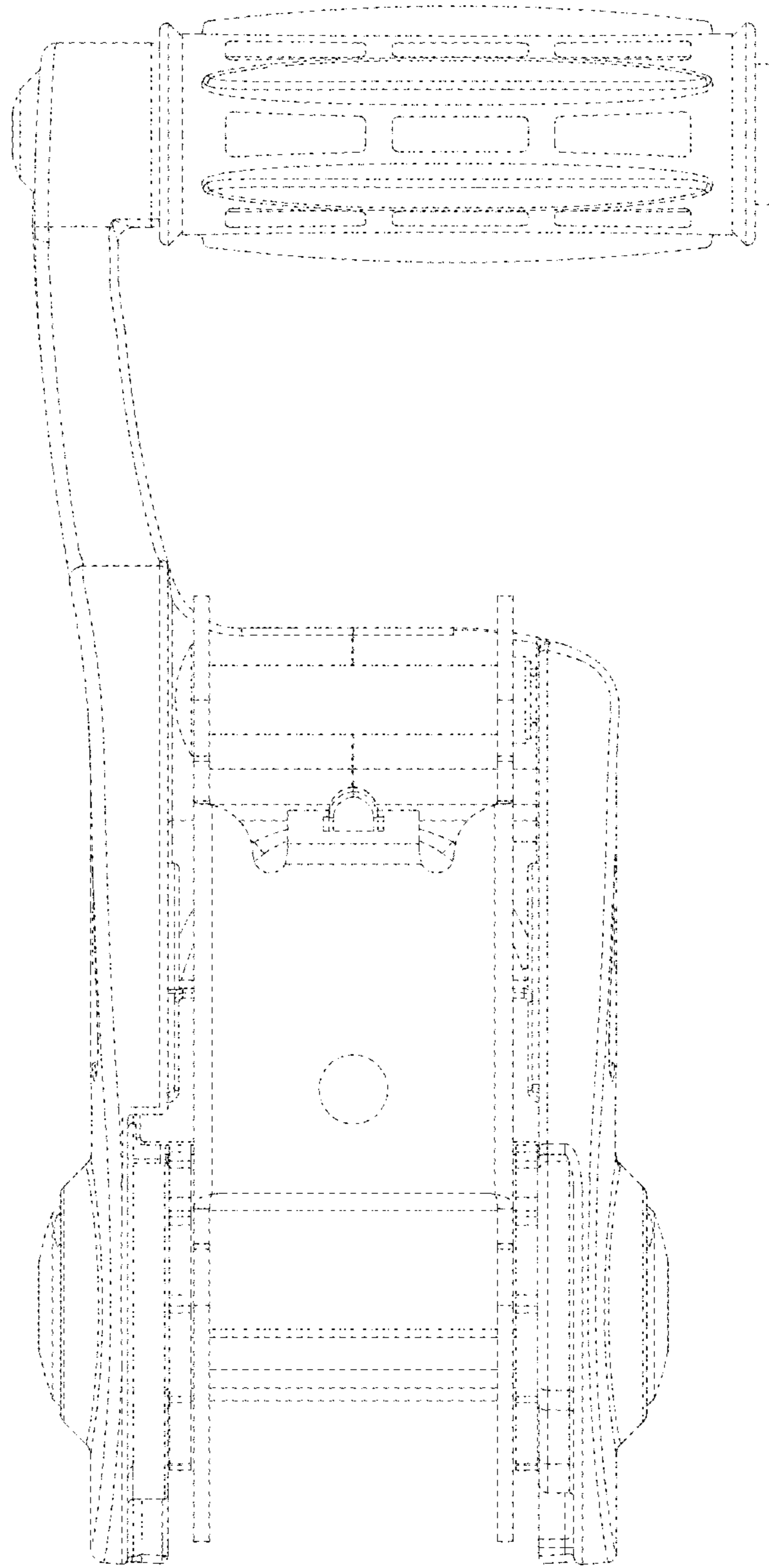


Fig. 5

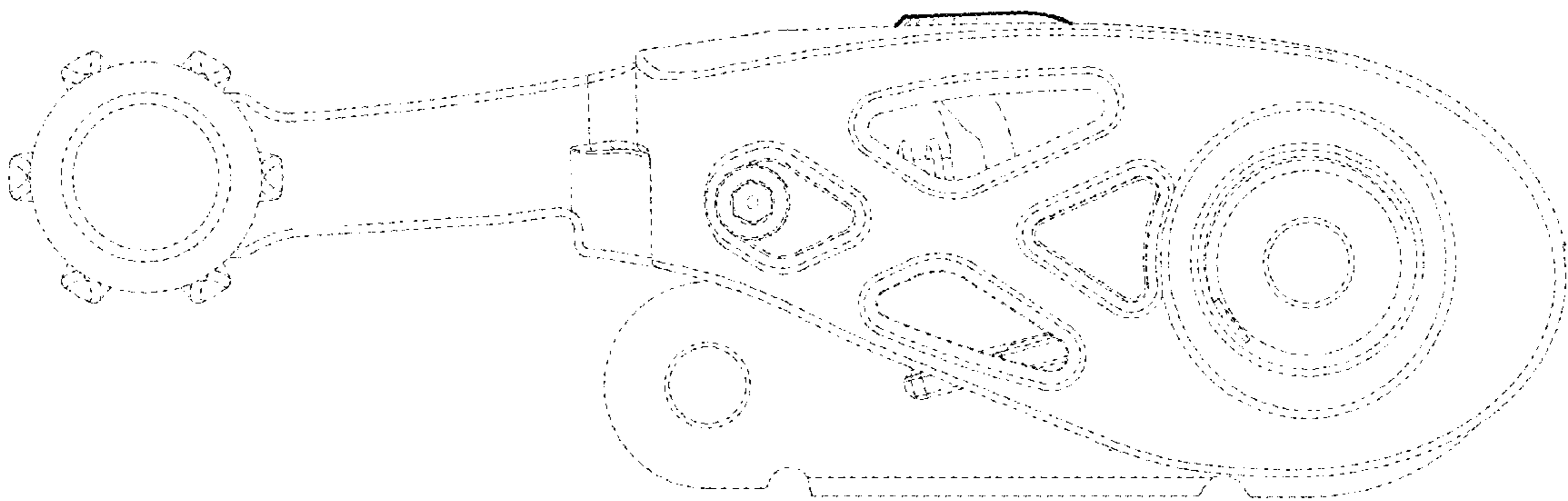


Fig. 6

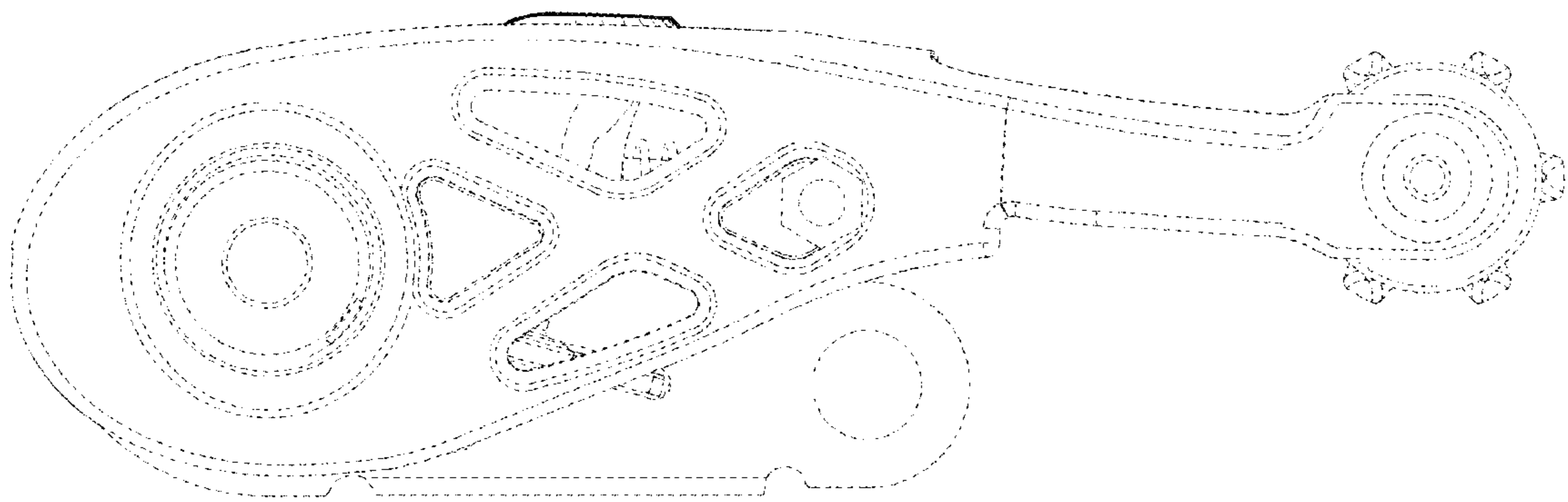


Fig. 7

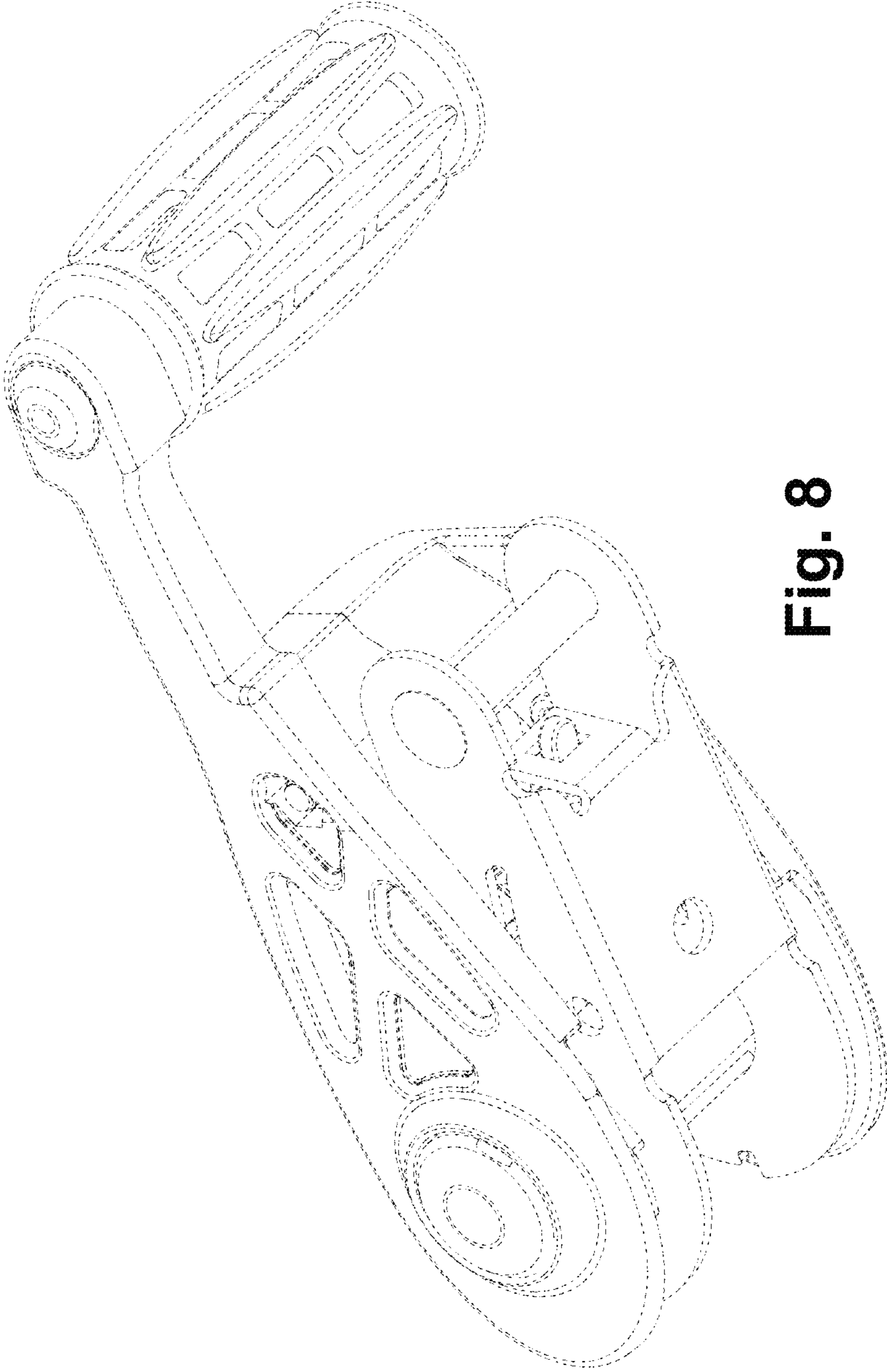


Fig. 8