



US00D700484S

(12) **United States Design Patent**
Hoff

(10) **Patent No.:** **US D700,484 S**
(45) **Date of Patent:** **** Mar. 4, 2014**

(54) **LOG HANDLING TOOL**

(71) Applicant: **Thomas Hoff**, Maplecrest, NY (US)

(72) Inventor: **Thomas Hoff**, Maplecrest, NY (US)

(**) Term: **14 Years**

(21) Appl. No.: **29/465,326**

(22) Filed: **Aug. 27, 2013**

(51) **LOC (10) Cl.** **08-05**

(52) **U.S. Cl.**
USPC **D8/14**

(58) **Field of Classification Search**
USPC D8/14, 107; 294/11, 14, 16, 19.2-19,
294/24, 263; 119/801-804
See application file for complete search history.

(56) **References Cited**

U.S. PATENT DOCUMENTS

D258,487	S	*	3/1981	Brugger et al.	D8/14
4,364,592	A	*	12/1982	Jackson	294/26
4,449,743	A	*	5/1984	Pankratz	294/11
D318,004	S	*	7/1991	Owen, Sr.	D8/7
5,088,449	A	*	2/1992	Lamb et al.	119/802
D342,876	S	*	1/1994	Brontkowski et al.	D8/51
5,941,587	A	*	8/1999	Wolff et al.	294/103.1
6,893,068	B1	*	5/2005	Varner	294/24
D568,123	S	*	5/2008	Bantle	D8/14
8,176,878	B1	*	5/2012	Wexler	119/801
8,251,416	B1	*	8/2012	Oberg et al.	294/16

OTHER PUBLICATIONS

Standard Animal Snare Pole, available at www.tongs.com. (c) 2013 Midwest Tongs.Com.

Ketch & Release All (TM) Pole, available at www.animal-traps.com.
(c) Heart of the Earth Marketing.

* cited by examiner

Primary Examiner — Philip S Hyder
Assistant Examiner — Roselynn Cody
(74) *Attorney, Agent, or Firm* — Burns & Levinson LLP;
Jacob N. Erlich; Marlo Schepper Grolnic

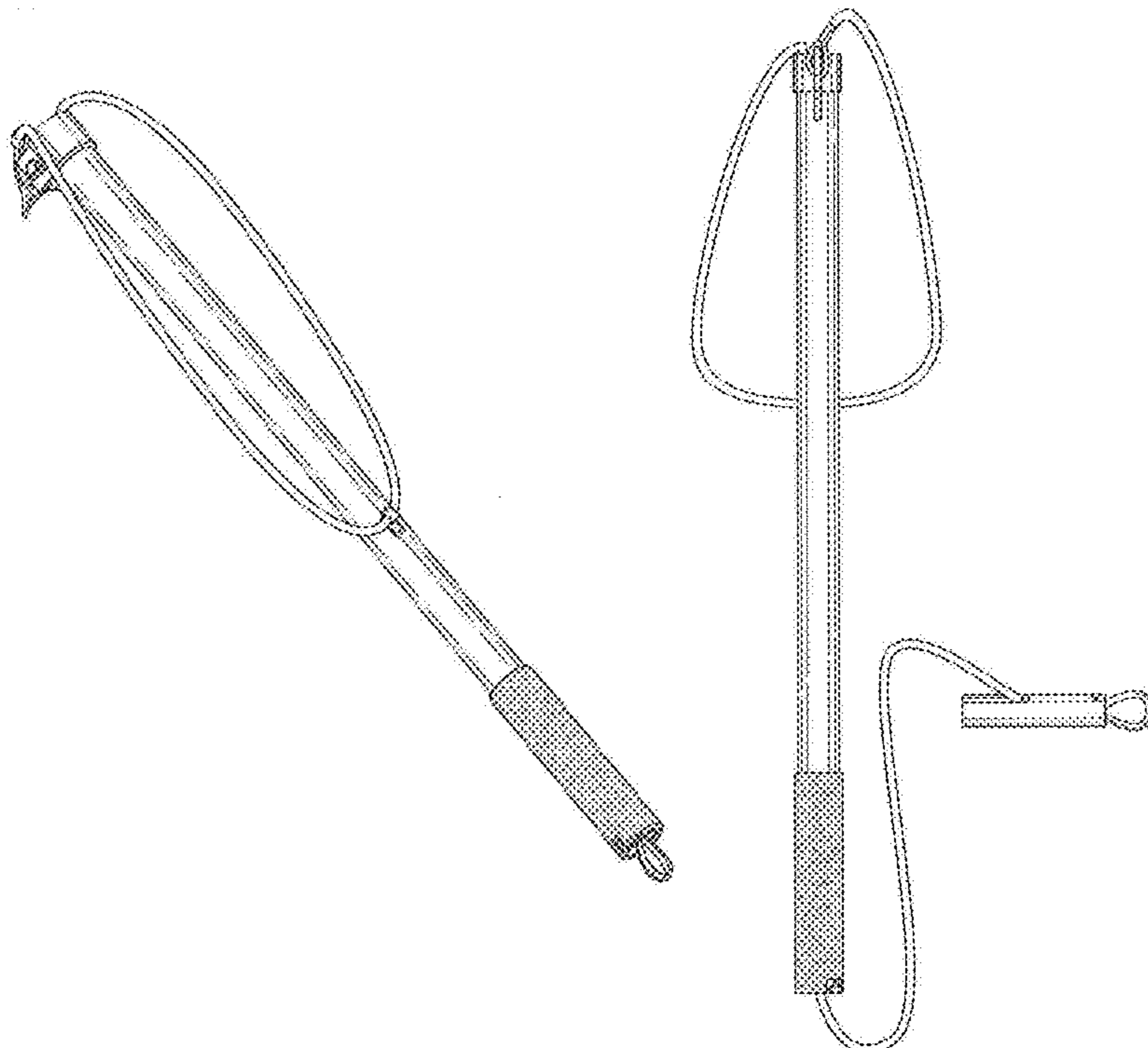
(57) **CLAIM**

The ornamental design for a log handling tool, as shown and described.

DESCRIPTION

FIG. 1 is a bottom/rear/first side perspective view of a log handling tool in a closed condition;
FIG. 2 is a front view thereof;
FIG. 3 is a rear view thereof;
FIG. 4 is a first side view thereof;
FIG. 5 is a second side view thereof;
FIG. 6 is a top view thereof;
FIG. 7 is a bottom view thereof;
FIG. 8 is a bottom/rear/first side perspective view of a log handling tool in an open condition;
FIG. 9 is a front view of FIG. 8;
FIG. 10 is a rear view of FIG. 8;
FIG. 11 is a first side view of FIG. 8;
FIG. 12 is a second side view of FIG. 8;
FIG. 13 is a top view of FIG. 8; and,
FIG. 14 is a bottom view of FIG. 8.

1 Claim, 12 Drawing Sheets



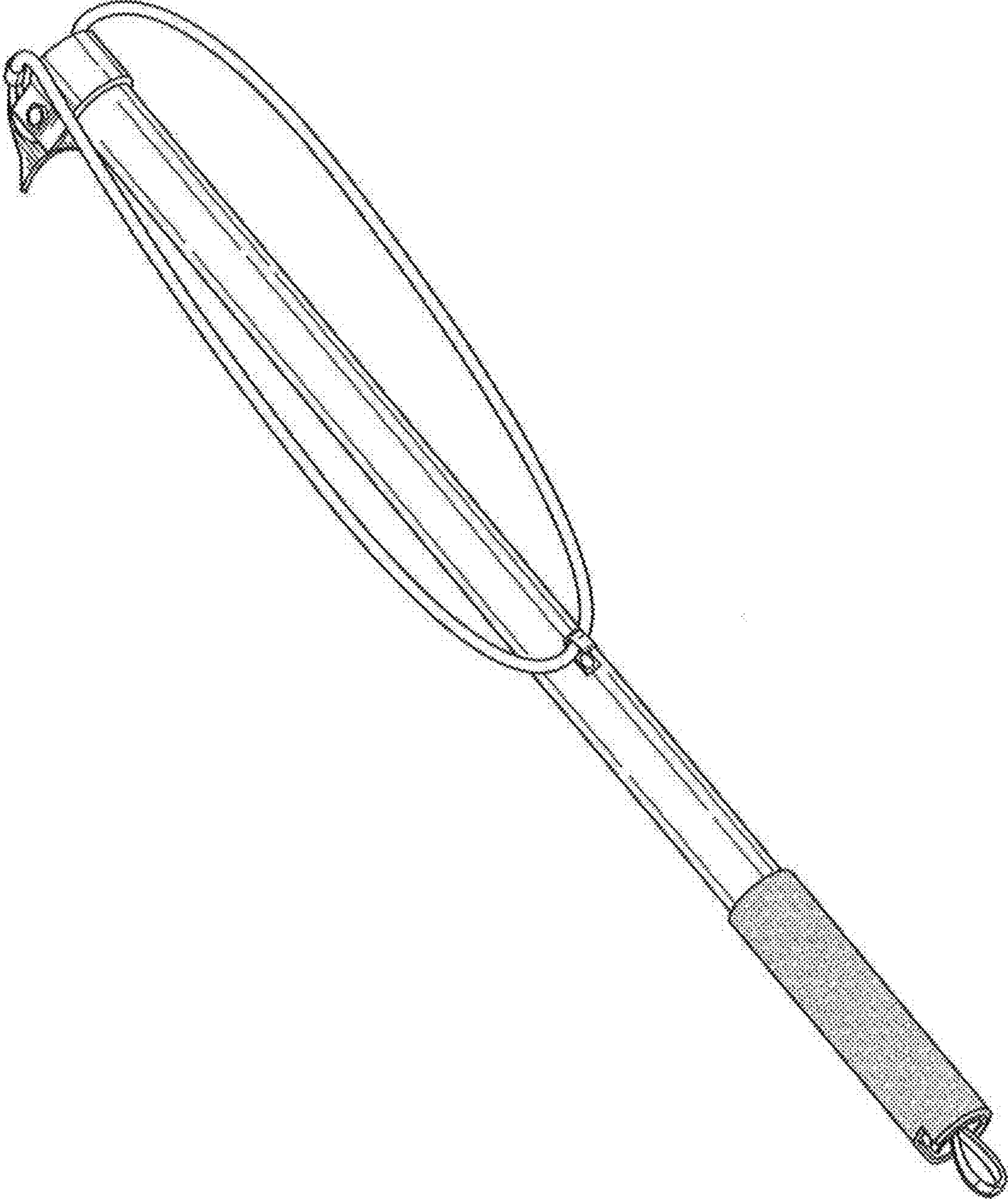


FIG. 1

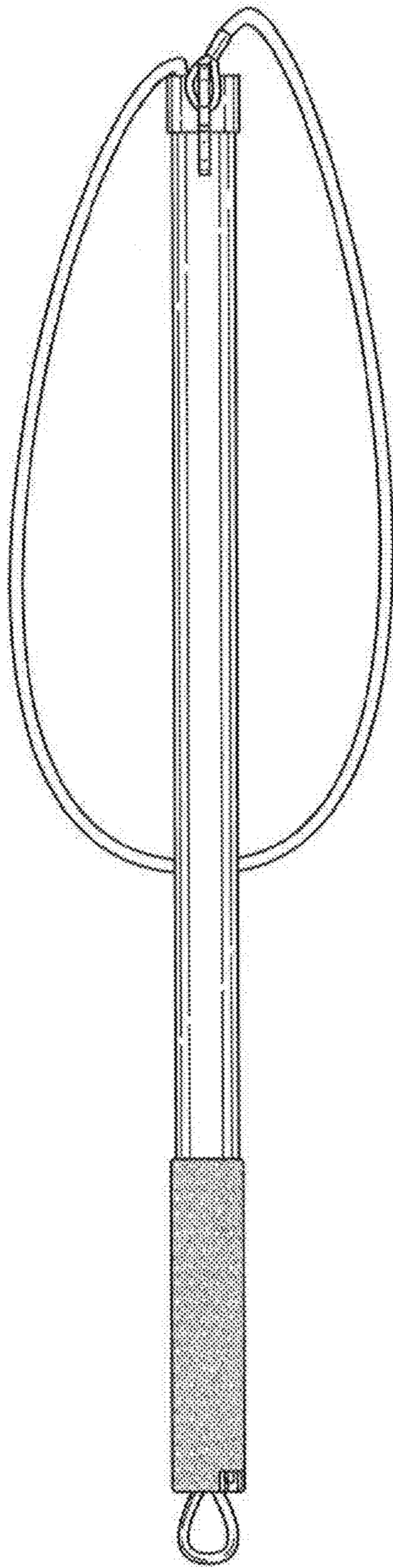


FIG. 2

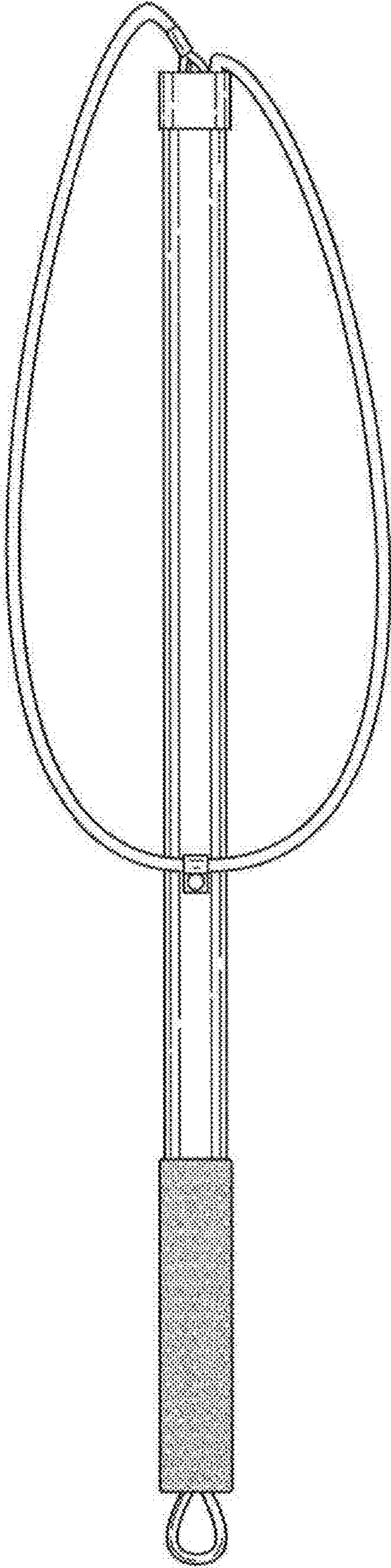


FIG. 3

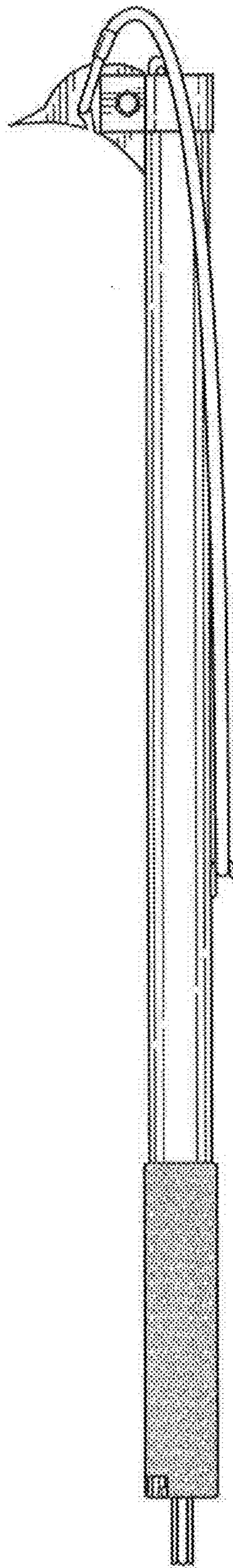


FIG. 4

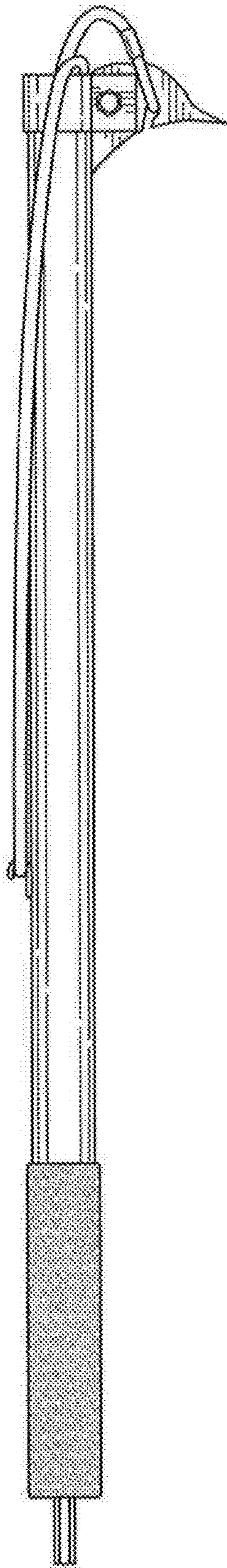


FIG. 5

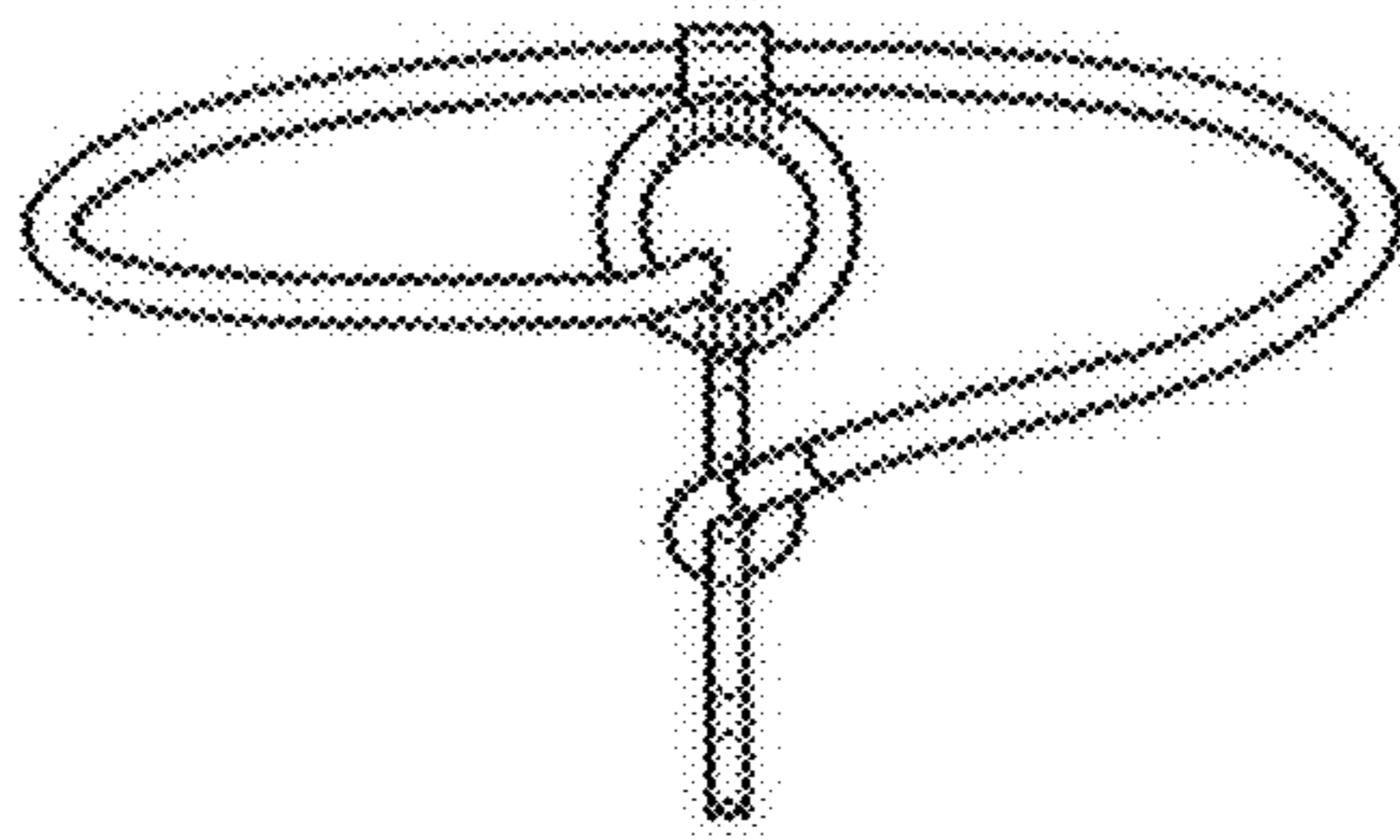


FIG. 6

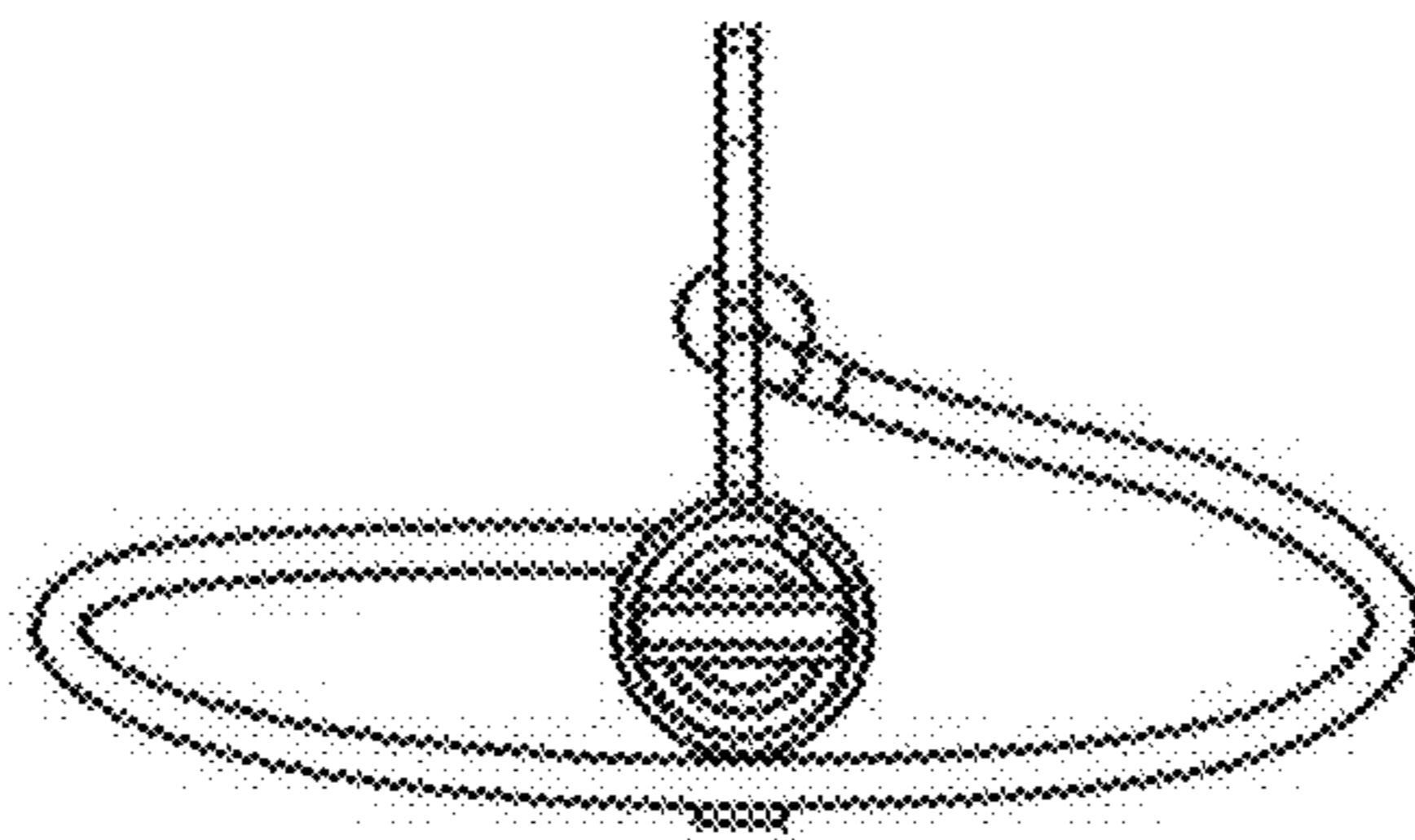


FIG. 7

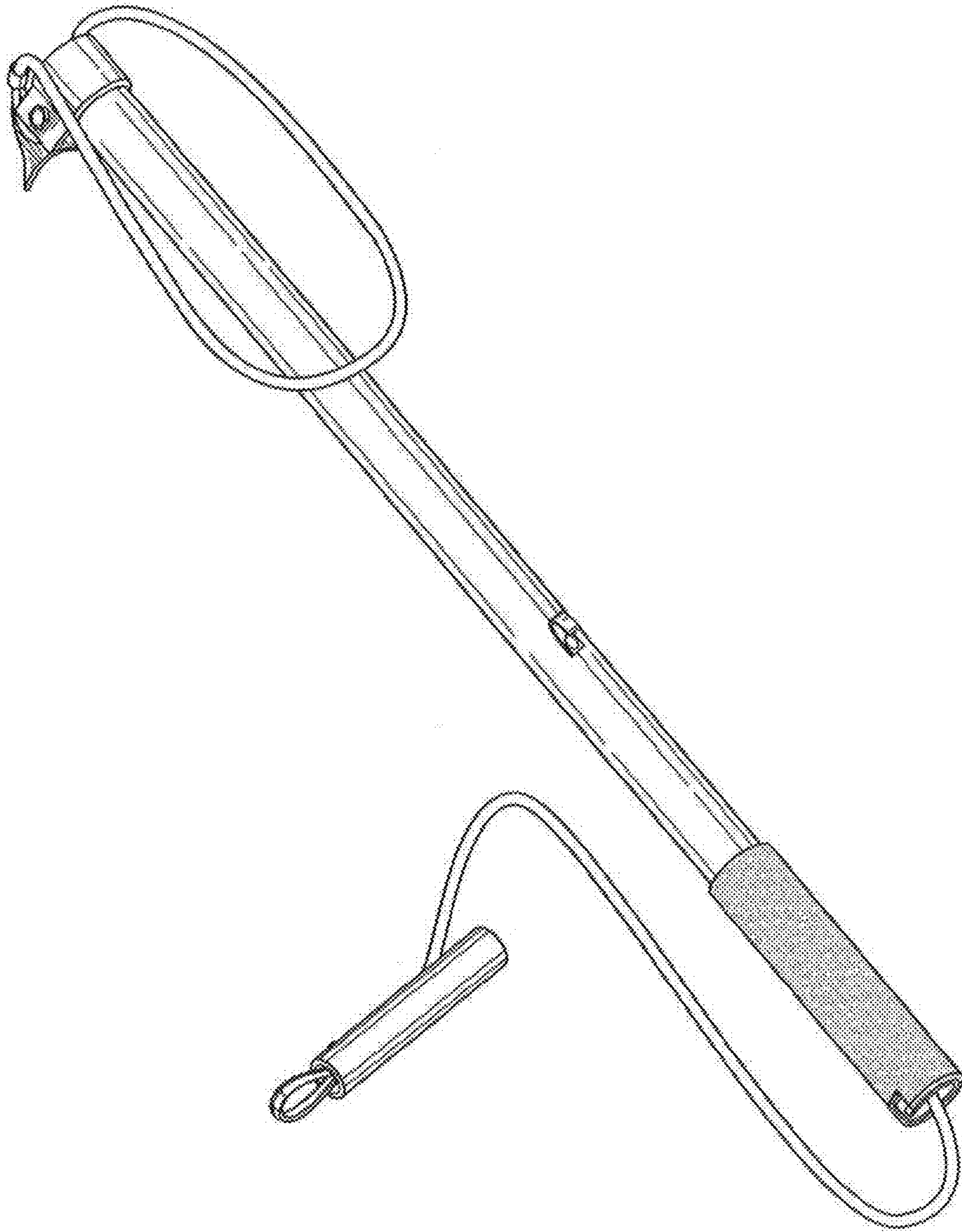


FIG. 8

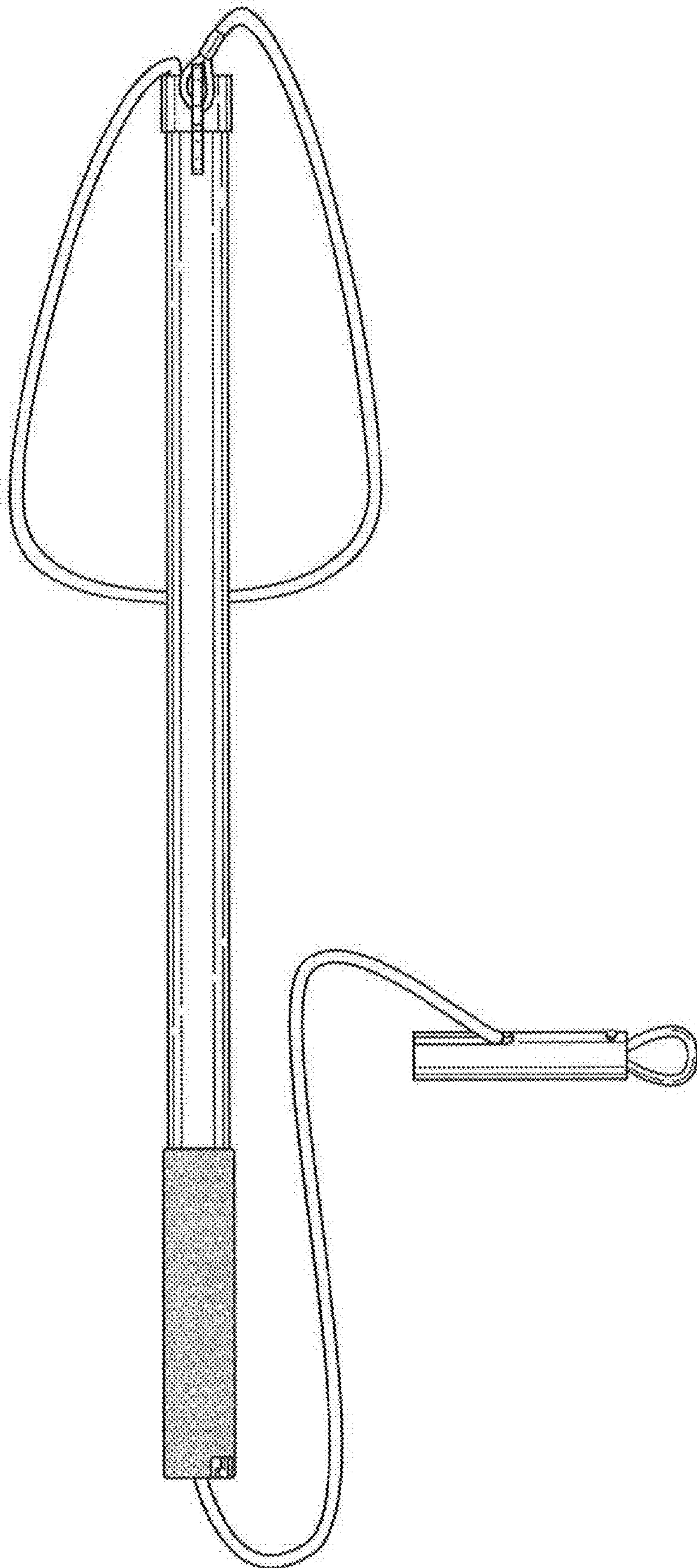


FIG. 9

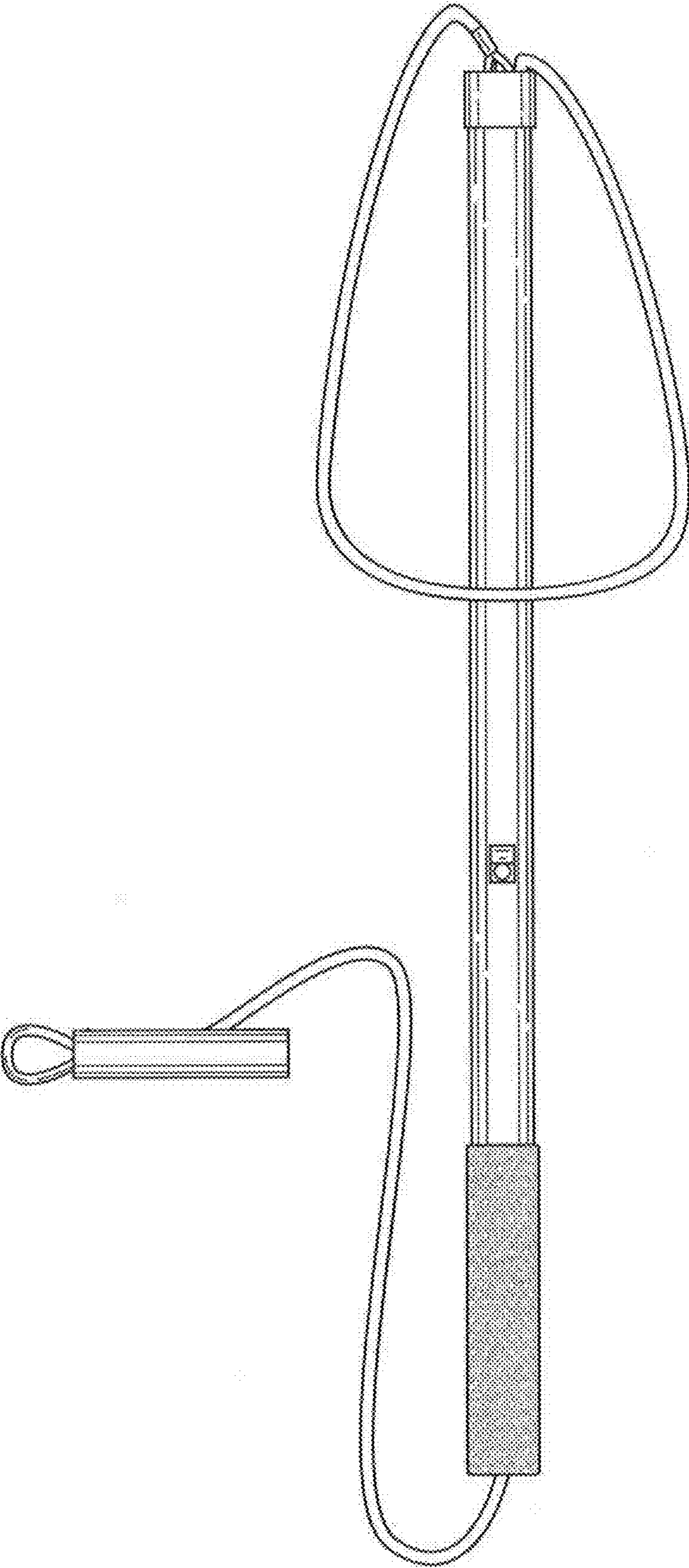


FIG. 10

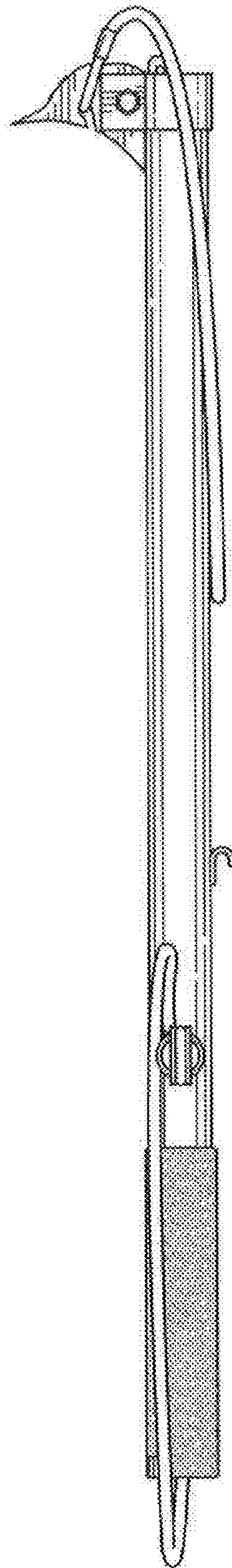


FIG. 11

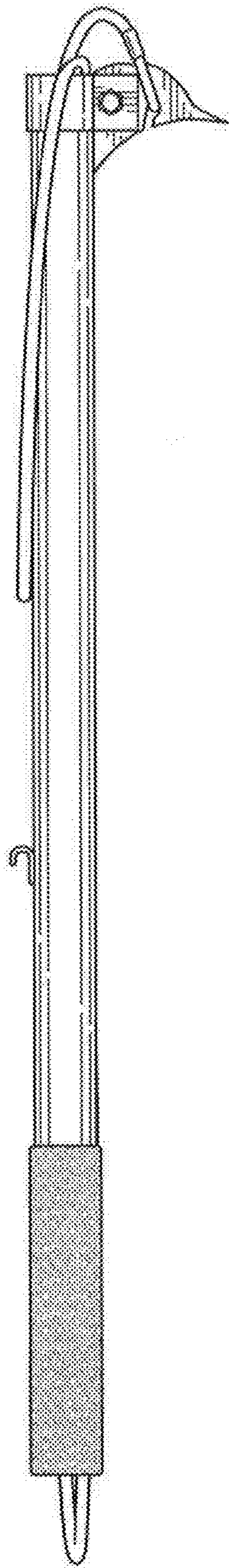


FIG. 12

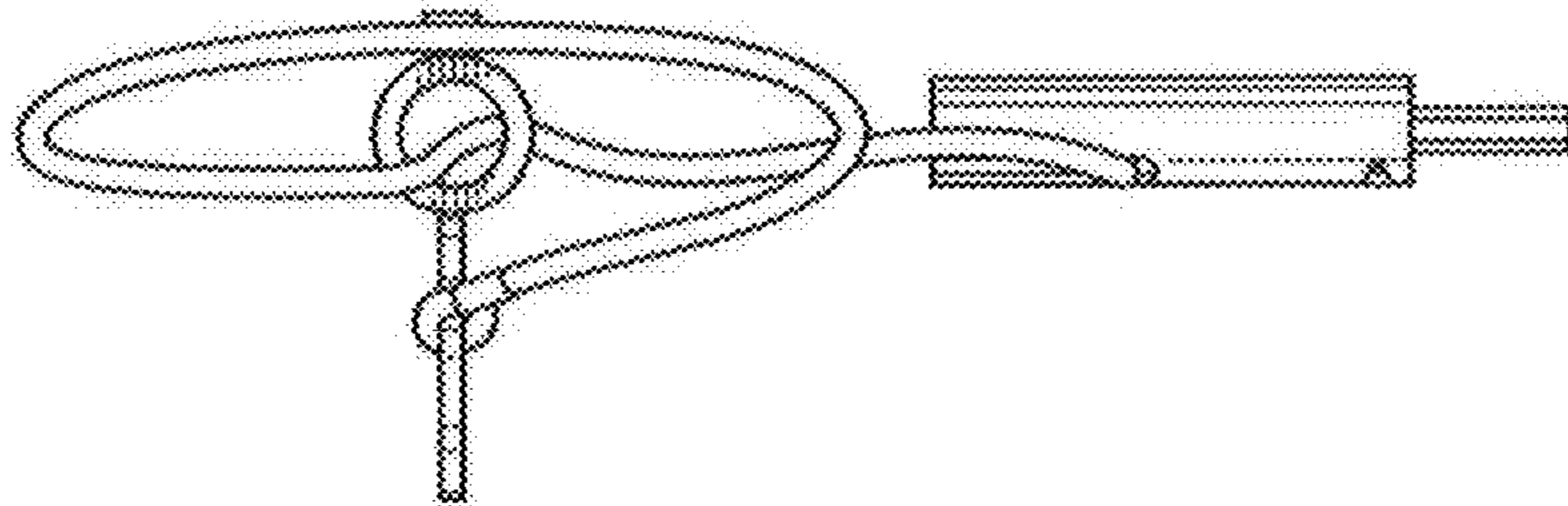


FIG. 13

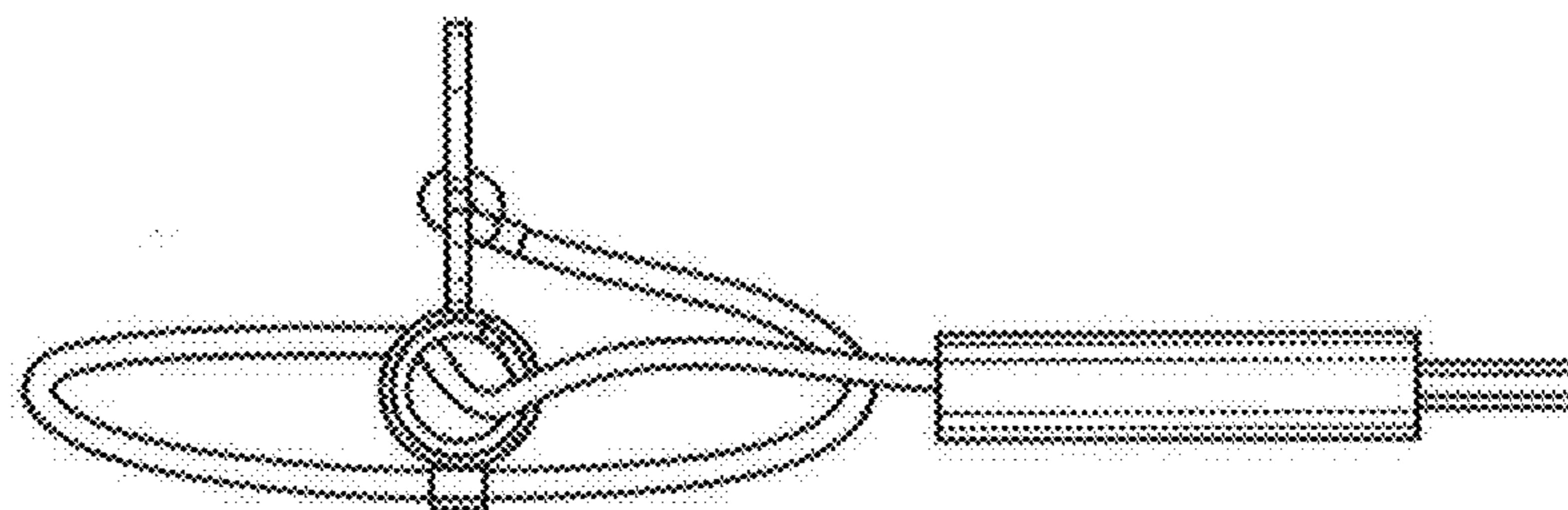


FIG. 14