



US00D700482S

(12) **United States Design Patent**
Yessin et al.

(10) **Patent No.:** **US D700,482 S**
(45) **Date of Patent:** **** Mar. 4, 2014**

(54) **COVERED CONTAINER FOR FOOD**

(75) Inventors: **Julie L. Yessin**, Orlando, FL (US);
Jan-Hendrik de Groot, Brussels (BE)

(73) Assignee: **Dart Industries Inc.**, Orlando, FL (US)

(**) Term: **14 Years**

(21) Appl. No.: **29/421,569**

(22) Filed: **Aug. 16, 2012**

(51) **LOC (10) Cl.** **07-07**

(52) **U.S. Cl.**
USPC **D7/629**

(58) **Field of Classification Search**
USPC D7/601, 602, 628-630, 538-542;
D9/424-432, 737, 756, 761; D3/273,
D3/274, 201, 203.1-203.8; 220/780-806,
220/675, 574-575, 236, 326, 324,
220/4.23-4.25

See application file for complete search history.

(56) **References Cited**

U.S. PATENT DOCUMENTS

D175,202 S 7/1955 Tupper
2,780,385 A 2/1957 Tupper

(Continued)

OTHER PUBLICATIONS

EMSA GmbH (3 sheets); Grevener Damm, Germany; 2011; Set of 3
containers with seals.

(Continued)

Primary Examiner — Terry Wallace

(74) *Attorney, Agent, or Firm* — John A. Doninger

(57) **CLAIM**

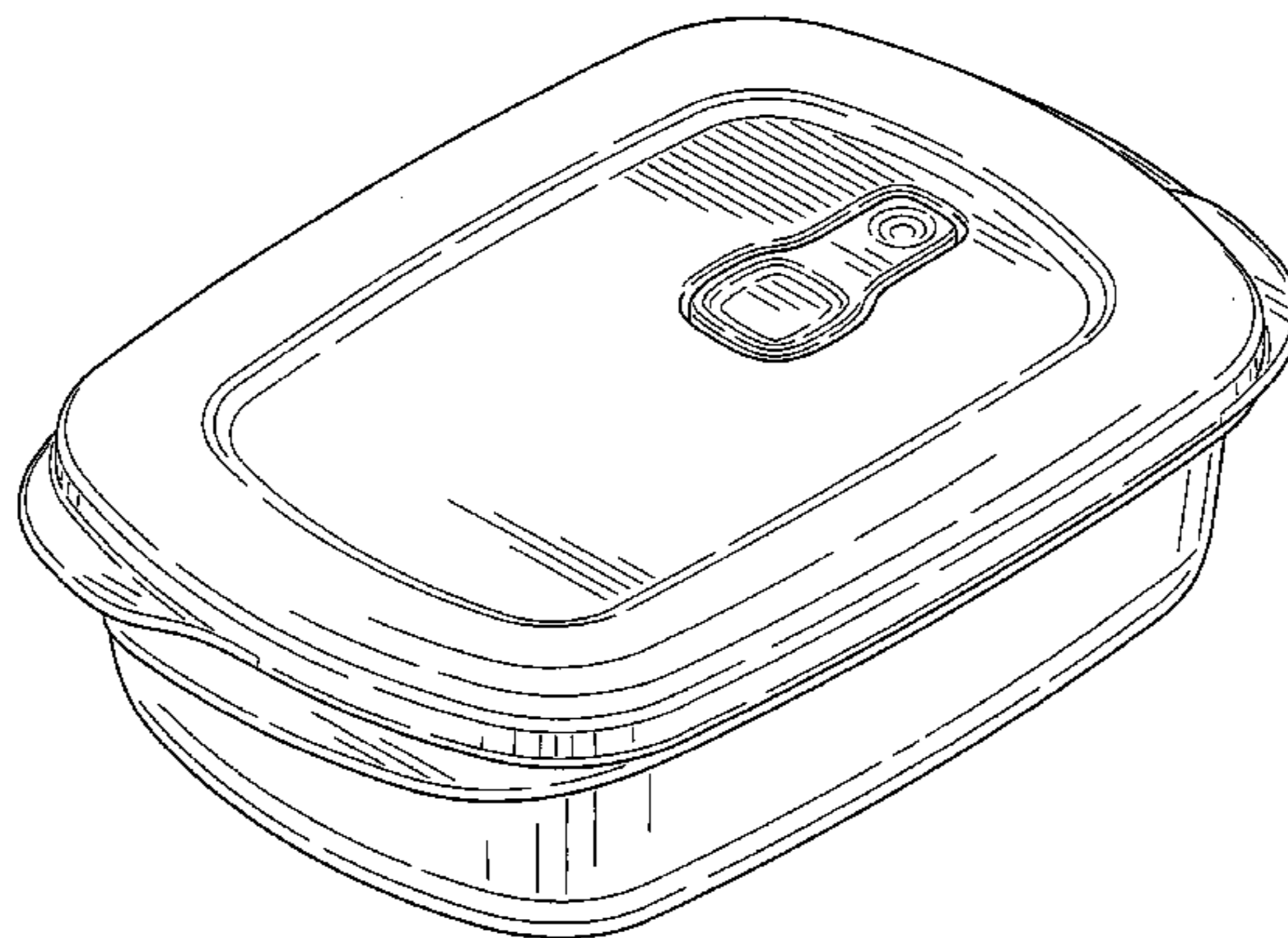
The ornamental design for a covered container for food, as
shown and described.

DESCRIPTION

FIG. 1 is a top, side and front perspective view of the first
embodiment of a covered container for food showing our new
design;

FIG. 2 is a bottom, side and front perspective view thereof;
FIG. 3 is a front elevation view, the rear elevation being a
mirror image thereof;
FIG. 4 is a left side elevation view, the right side elevation
being a mirror image thereof;
FIG. 5 is a top plan view thereof;
FIG. 6 is a bottom plan view thereof;
FIG. 7 is a cross-sectional view taken along line 7-7 of FIG. 5;
FIG. 8 is a cross-sectional view taken along line 8-8 of FIG. 5;
FIG. 9 is a top, side and front perspective view of the second
embodiment of a covered container for food showing our new
design;
FIG. 10 is a bottom, side and front perspective view thereof;
FIG. 11 is a front elevation view, the rear elevation being a
mirror image thereof;
FIG. 12 is a left side elevation view, the right side elevation
being a mirror image thereof;
FIG. 13 is a top plan view thereof;
FIG. 14 is a bottom plan view thereof;
FIG. 15 is a cross-sectional view taken along line 15-15 of
FIG. 13;
FIG. 16 is a cross-sectional view taken along line 16-16 of
FIG. 13;
FIG. 17 is a top, side and front perspective view of the third
embodiment of a covered container for food showing our new
design;
FIG. 18 is a bottom, side and front perspective view thereof;
FIG. 19 is a front elevation view, the rear elevation being a
mirror image thereof;
FIG. 20 is a left side elevation view, the right side elevation
being a mirror image thereof;
FIG. 21 is a top plan view thereof;
FIG. 22 is a bottom plan view thereof;
FIG. 23 is a cross-sectional view taken along line 23-23 of
FIG. 21; and,
FIG. 24 is a cross-sectional view taken along line 24-24 of
FIG. 21.

1 Claim, 20 Drawing Sheets



(56)

References Cited

U.S. PATENT DOCUMENTS

D238,137 S 12/1975 Swett
 D256,310 S 8/1980 Daenen
 D257,107 S 9/1980 Daenen et al.
 D274,030 S 5/1984 Daenen et al.
 D276,400 S 11/1984 Daenen et al.
 D276,401 S 11/1984 Daenen et al.
 D276,402 S 11/1984 Daenen et al.
 D277,724 S 2/1985 Daenen et al.
 D279,251 S 6/1985 Daenen et al.
 D279,252 S 6/1985 Daenen et al.
 D279,253 S 6/1985 Daenen et al.
 D279,952 S 8/1985 Daenen et al.
 D280,058 S 8/1985 Carlson
 D280,281 S 8/1985 Conti et al.
 D280,484 S 9/1985 Conti et al.
 D282,808 S 3/1986 Daenen et al.
 D282,809 S 3/1986 Daenen et al.
 4,787,527 A * 11/1988 Monetti 220/557
 4,819,824 A * 4/1989 Longbottom et al. 220/266
 D321,111 S 10/1991 Wolff
 D350,880 S * 9/1994 VanValkenburg et al. D7/629
 D351,090 S * 10/1994 Narsutis D7/629
 D353,744 S 12/1994 Ferris et al.
 D371,053 S 6/1996 Lillelund et al.
 D372,401 S 8/1996 Lillelund et al.
 D389,012 S 1/1998 Miller
 D414,650 S 10/1999 Lillelund et al.
 D416,170 S 11/1999 Stucke, Jr. et al.
 D417,817 S 12/1999 Loew et al.
 D418,716 S 1/2000 Haley
 D418,720 S 1/2000 Lillelund et al.
 D419,371 S 1/2000 Haley
 D420,252 S 2/2000 Loew et al.
 D420,548 S 2/2000 Loew et al.

D425,363 S 5/2000 Loew et al.
 D429,970 S 8/2000 Liu
 6,170,696 B1 * 1/2001 Tucker et al. 220/793
 D439,159 S * 3/2001 Chen D9/425
 D440,470 S * 4/2001 Tucker et al. D7/629
 D445,649 S * 7/2001 Maxwell et al. D7/629
 D466,364 S 12/2002 Demore
 D469,689 S * 2/2003 Buchalski et al. D9/425
 D489,975 S * 5/2004 Jackson et al. D9/425
 D496,272 S 9/2004 Jackson et al.
 D502,394 S 3/2005 Jackson et al.
 D521,380 S 5/2006 Jackson et al.
 D523,344 S 6/2006 Toth et al.
 D537,724 S 3/2007 Toth et al.
 D541,598 S * 5/2007 Kim D7/629
 D551,515 S * 9/2007 Ablo et al. D7/629
 D557,993 S * 12/2007 Stamper et al. D7/629
 D562,624 S 2/2008 Kortleven
 D592,915 S 5/2009 Olivari
 D596,024 S 7/2009 Fraguada McCoy et al.
 D609,092 S 2/2010 Laib et al.
 D611,807 S * 3/2010 Miga, Jr. D9/424
 D618,516 S * 6/2010 DiPietro et al. D7/629
 D630,898 S 1/2011 de Groote
 D641,164 S 7/2011 Cornu et al.
 D644,892 S 9/2011 Stamper et al.
 D652,672 S 1/2012 Easton
 2008/0203092 A1 * 8/2008 Stamper et al. 220/203.01

OTHER PUBLICATIONS

U.S. Appl. No. 29/421,561, filed Aug. 16, 2012, Julie L. Yessin et al.
 U.S. Appl. No. 29/421,568, filed Aug. 16, 2012, Julie L. Yessin et al.
 U.S. Appl. No. 29/421,566, filed Aug. 16, 2012, Julie L. Yessin et al.
 U.S. Appl. No. 29/421,567, filed Aug. 16, 2012, Julie L. Yessin et al.
 U.S. Appl. No. 29/421,570, filed Aug. 16, 2012, Julie L. Yessin et al.

* cited by examiner

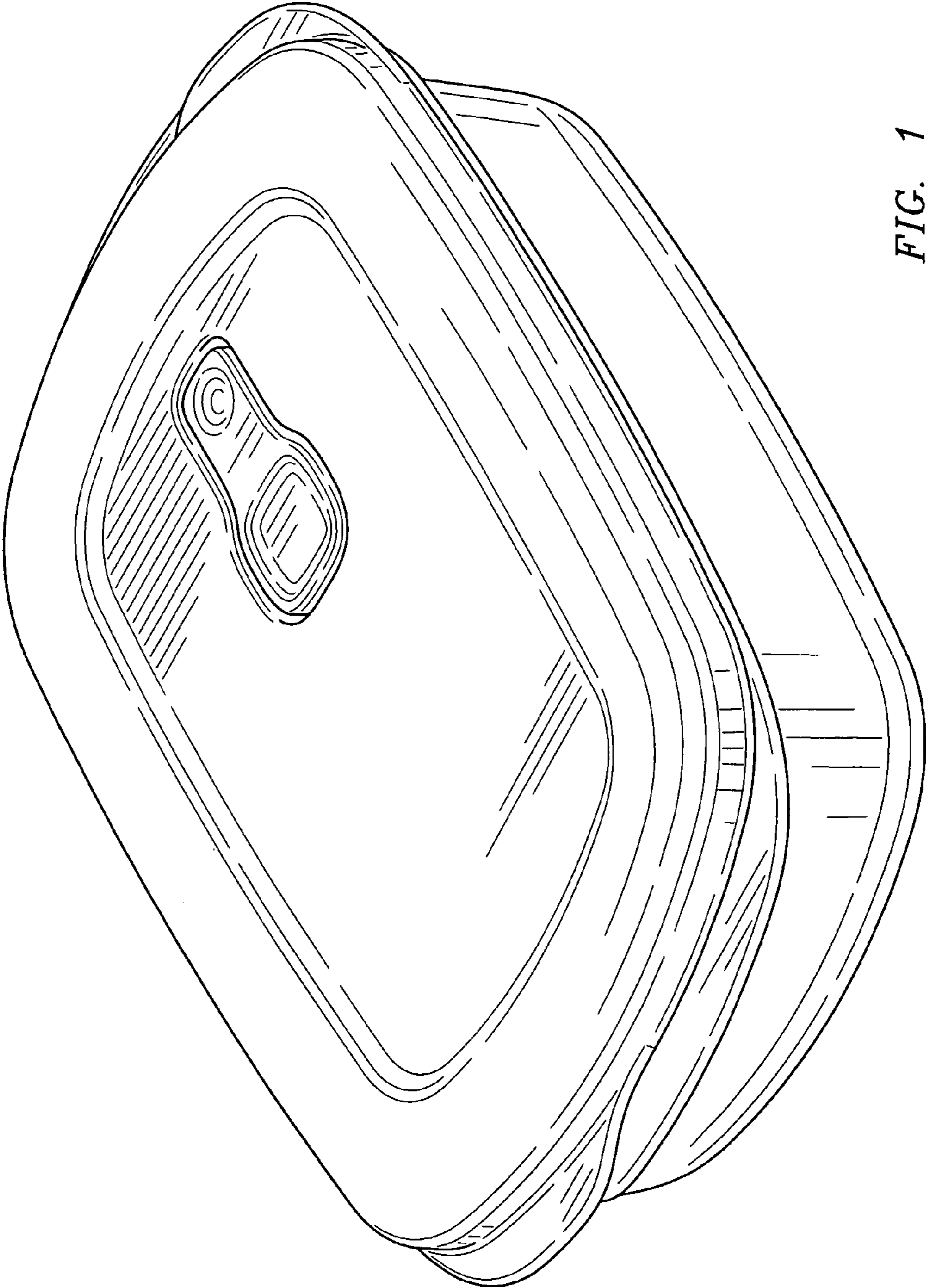


FIG. 1

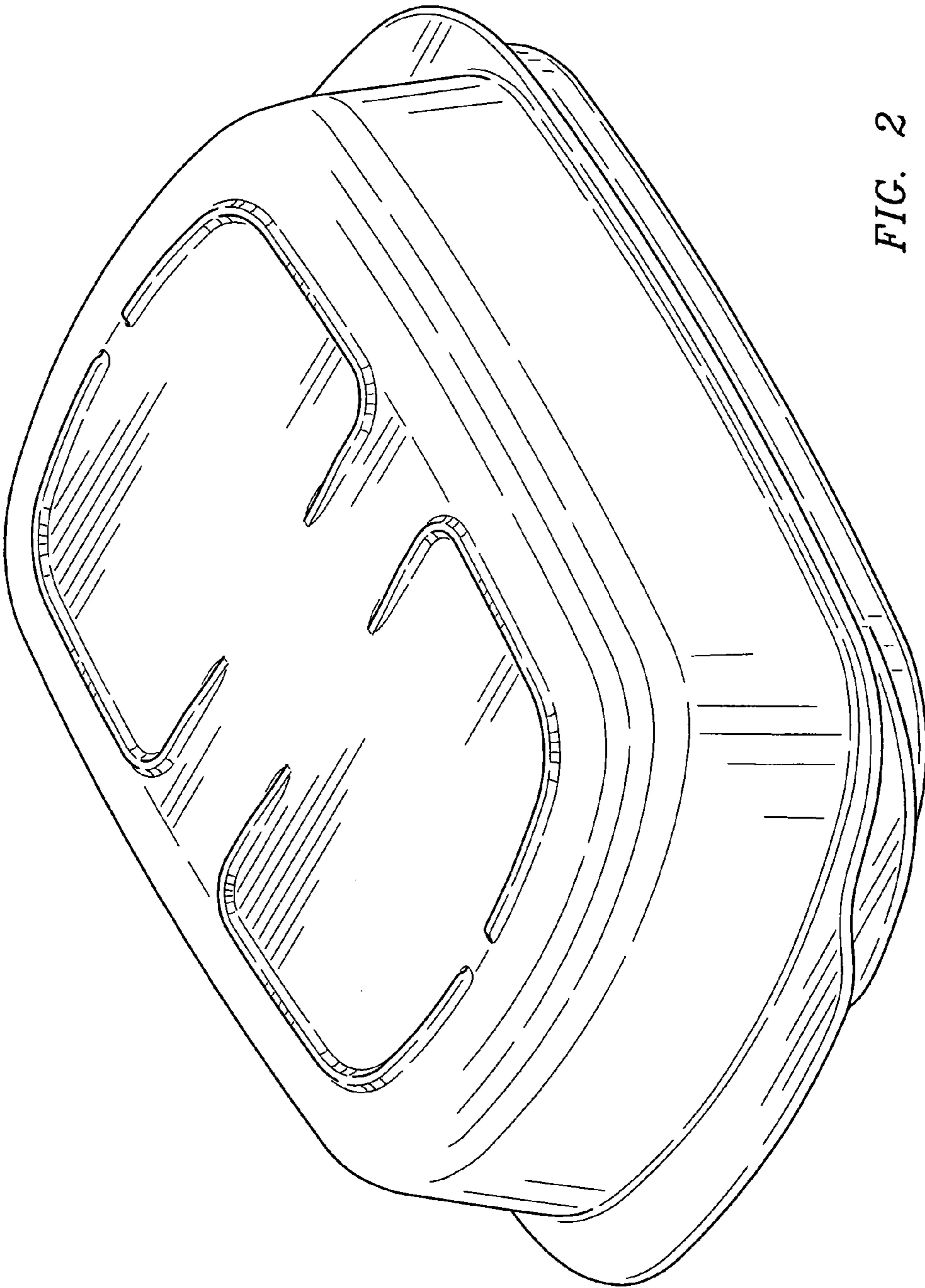


FIG. 2

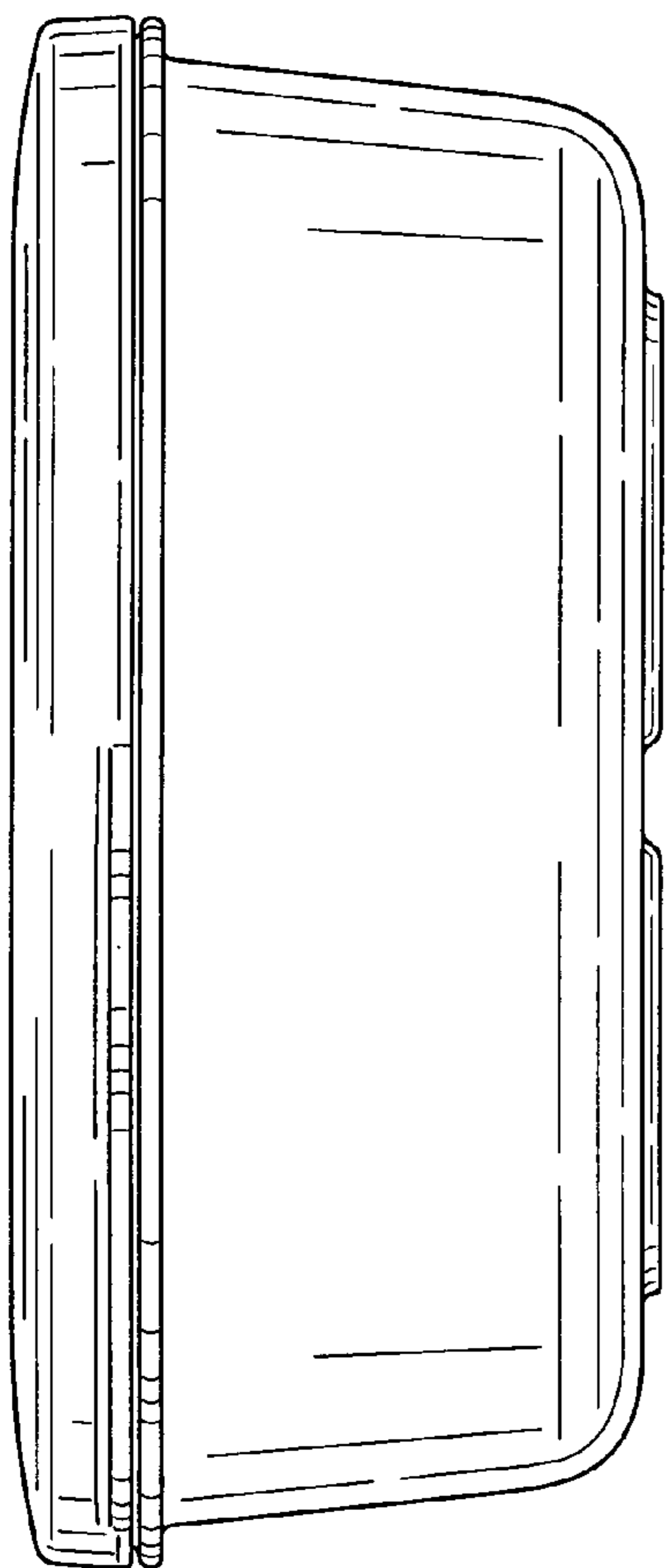


FIG. 3

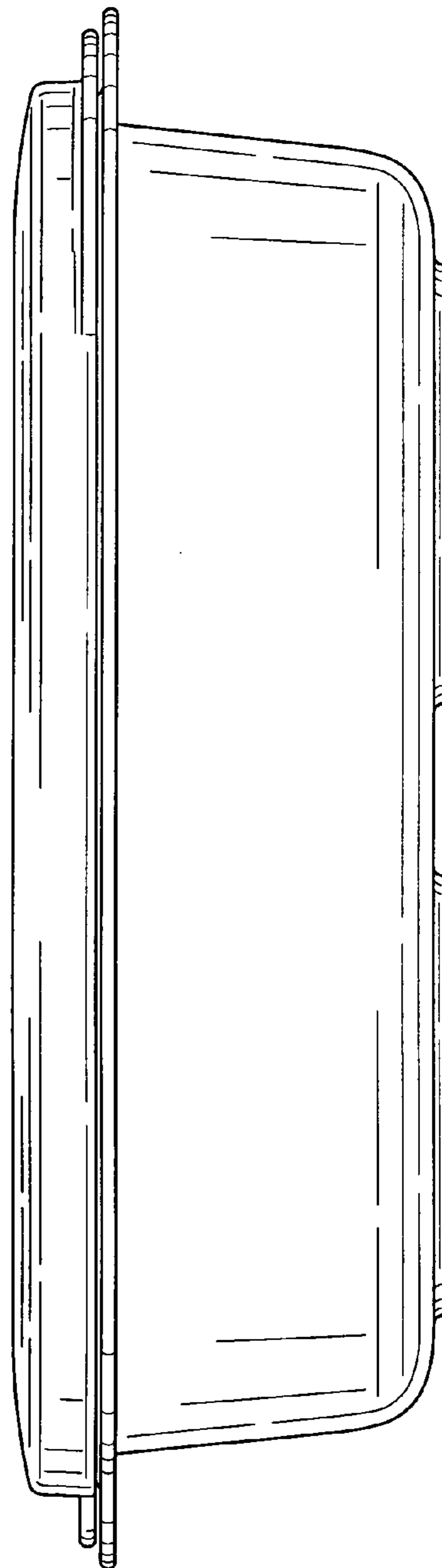


FIG. 4

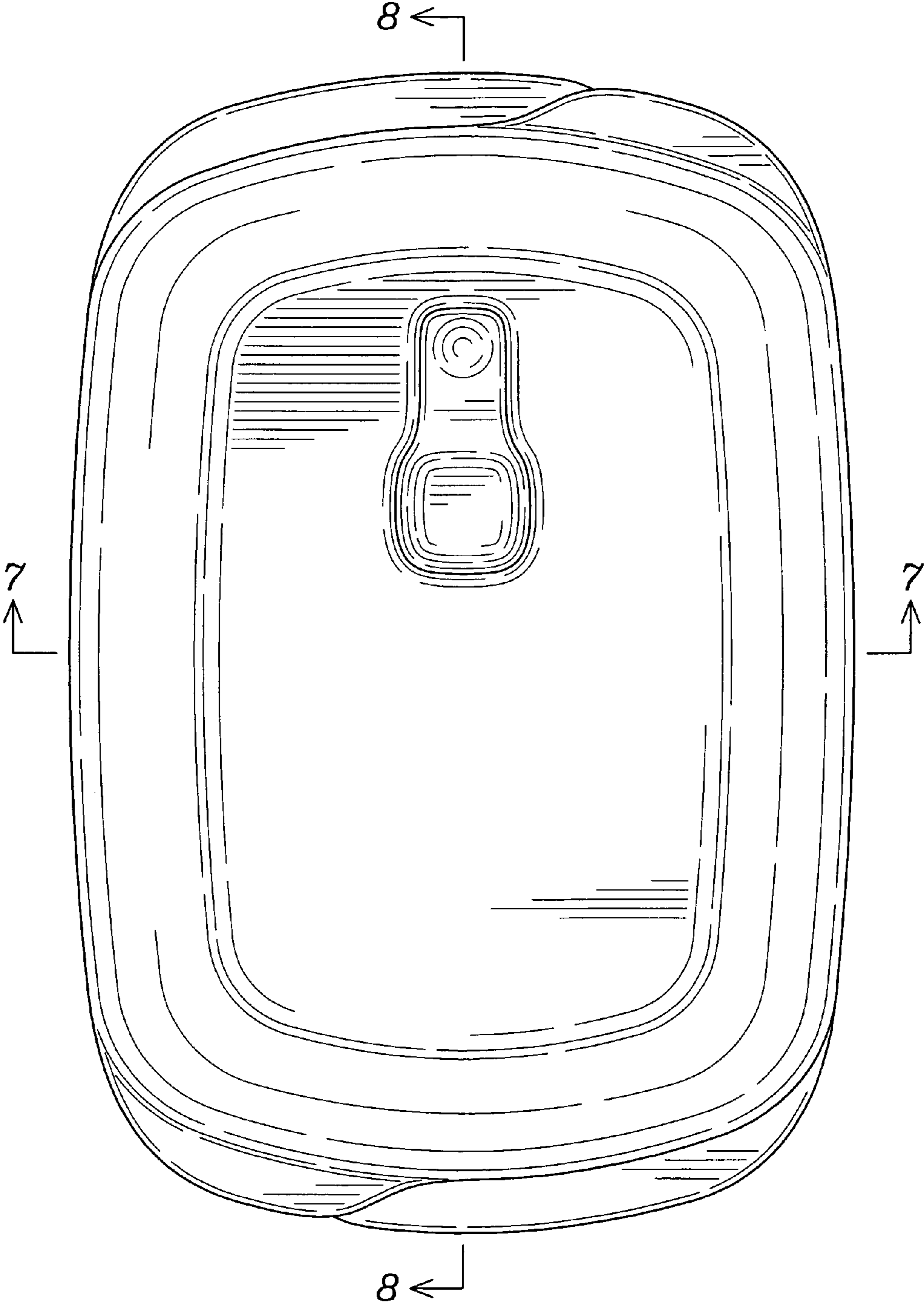


FIG. 5

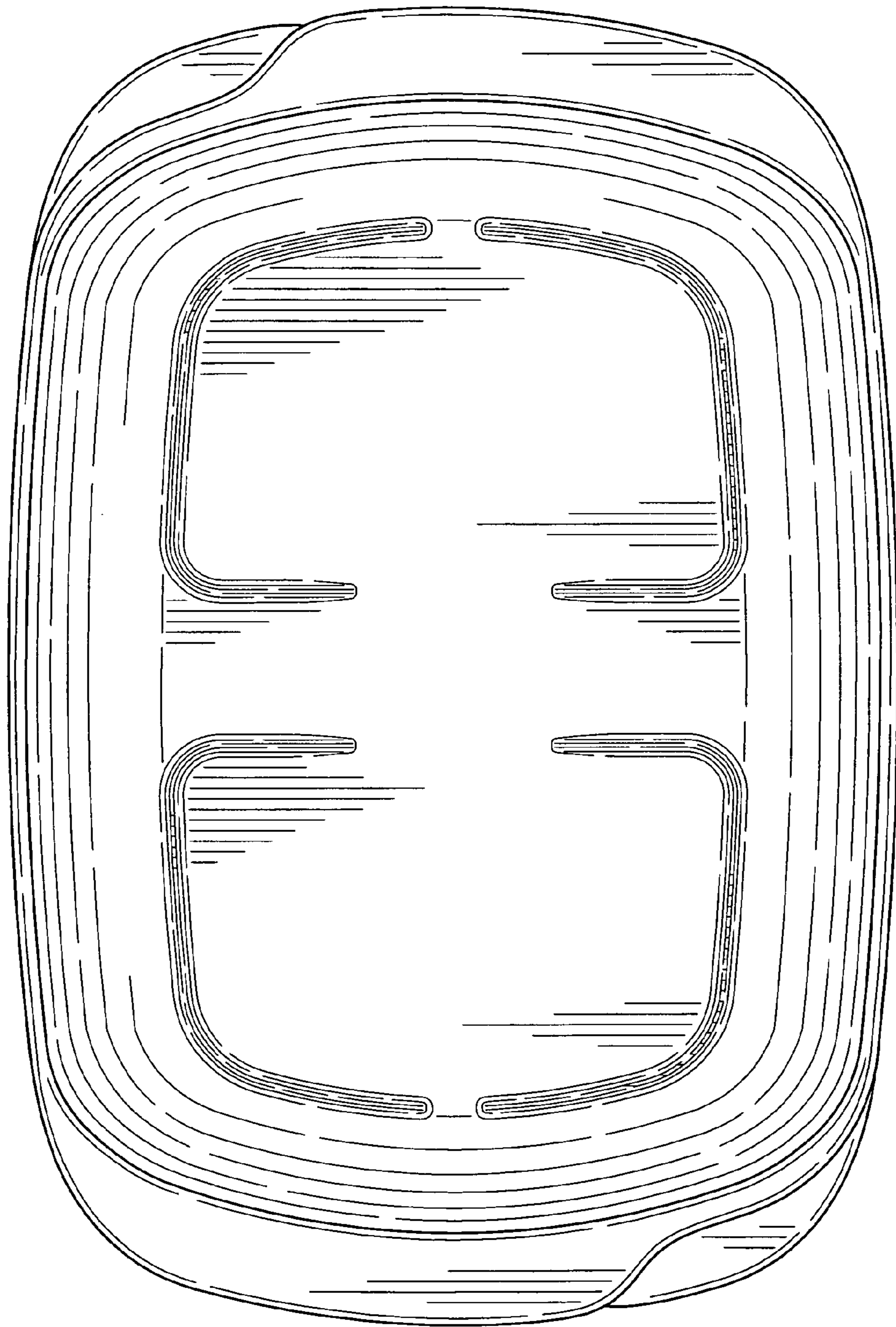


FIG. 6

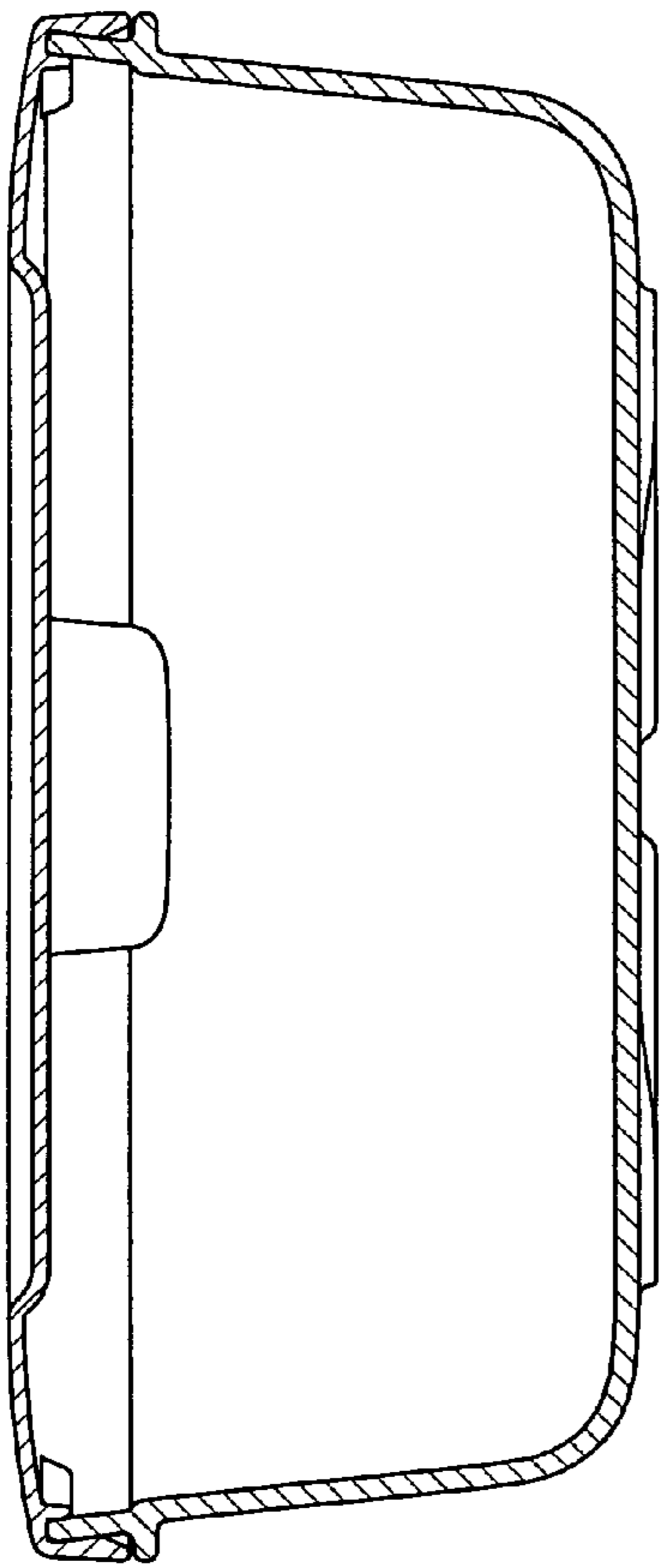


FIG. 7

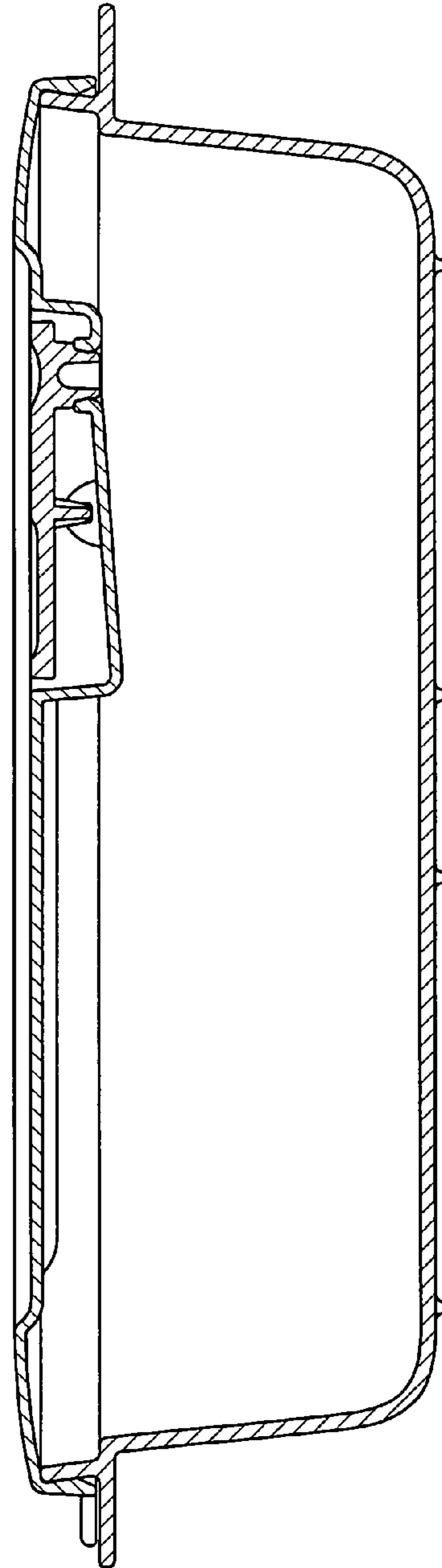


FIG. 8

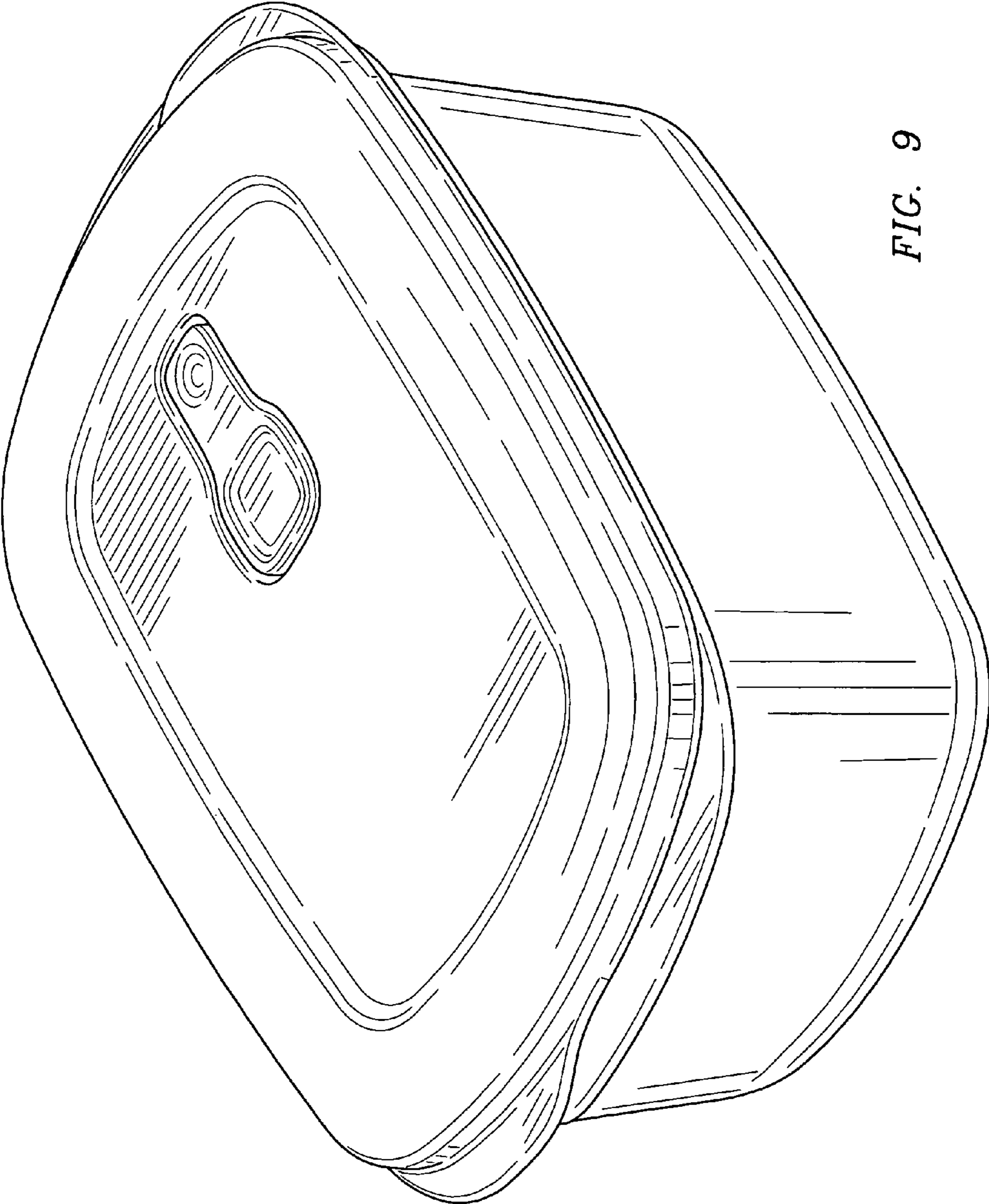


FIG. 9

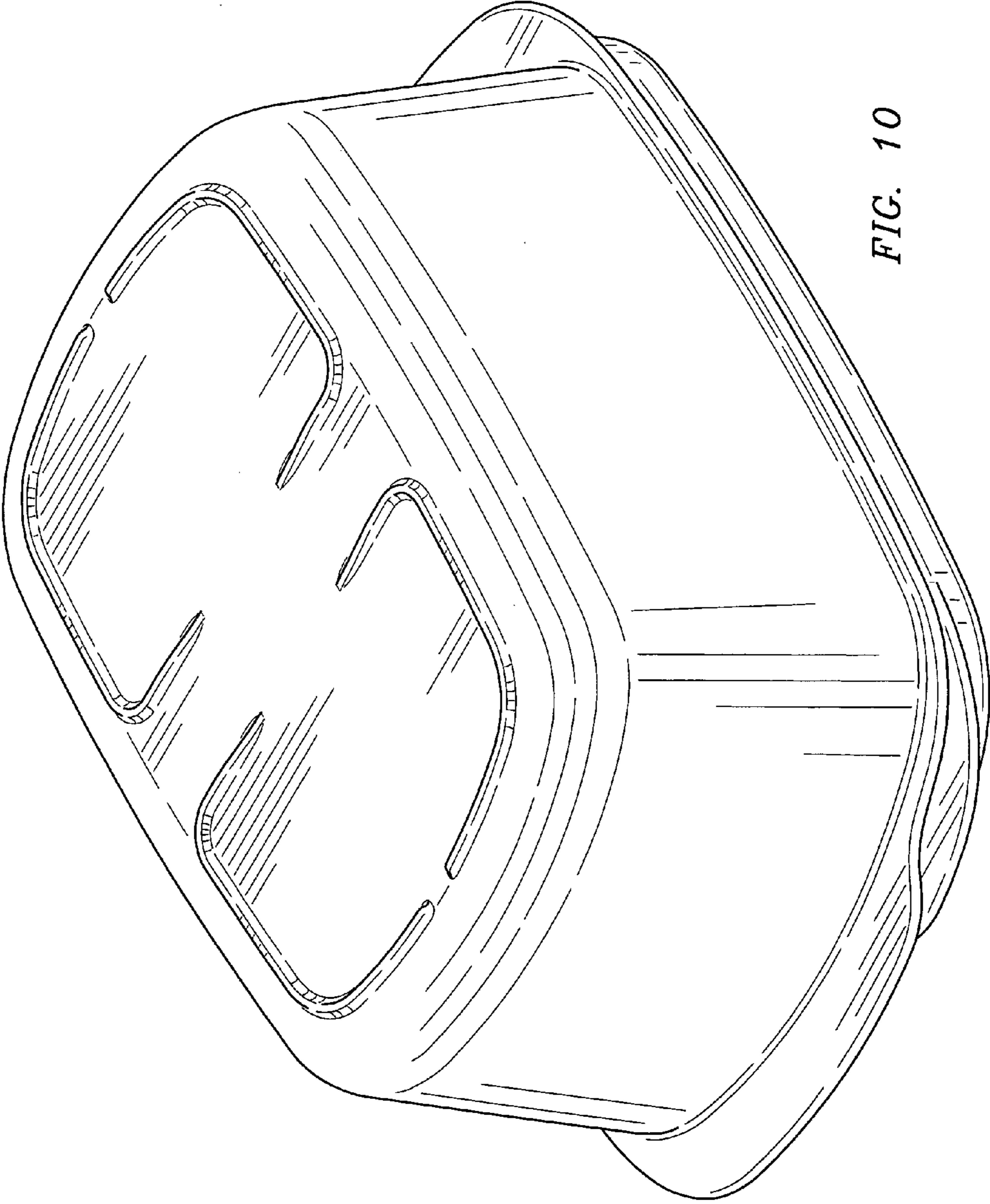


FIG. 10

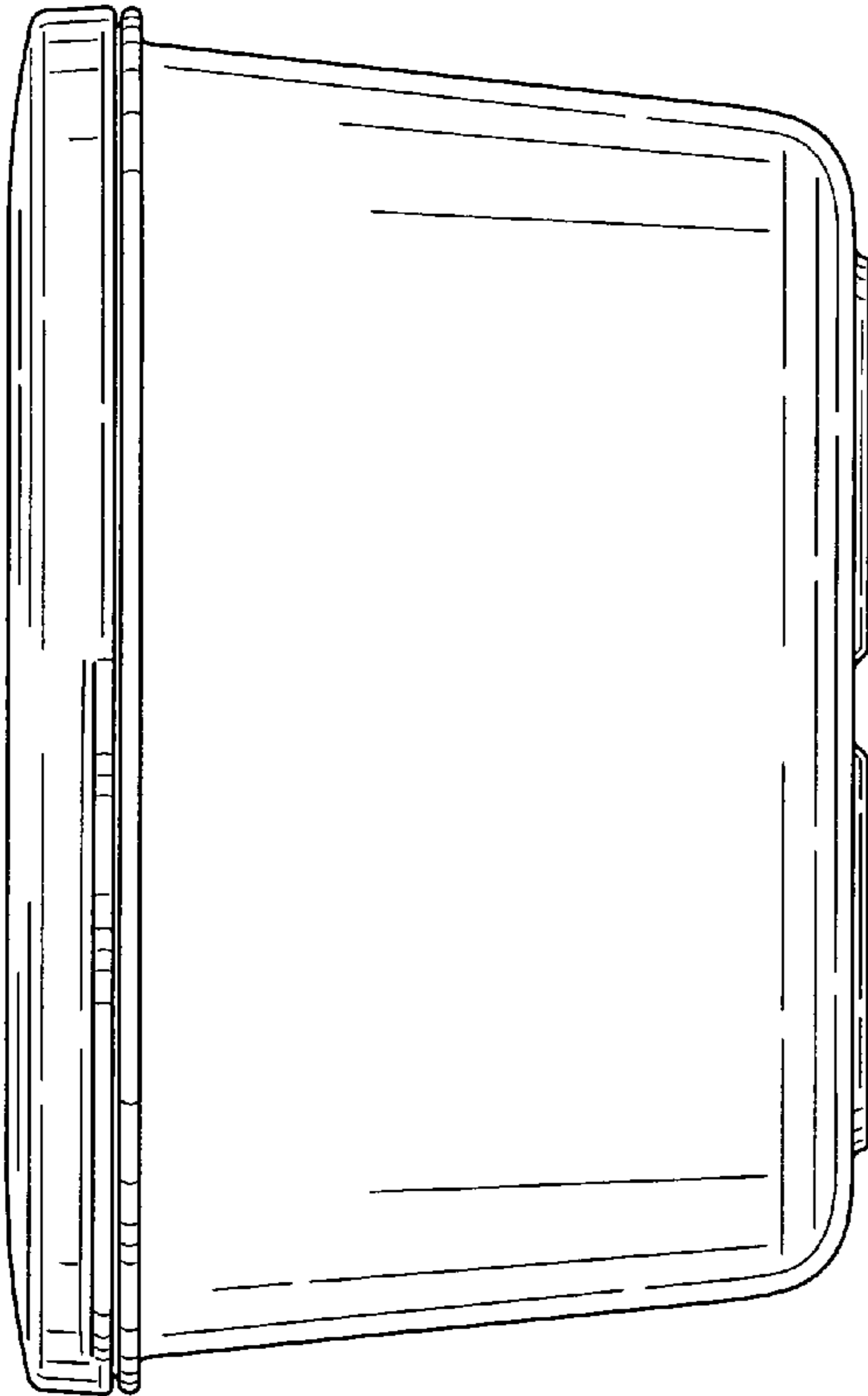


FIG. 11

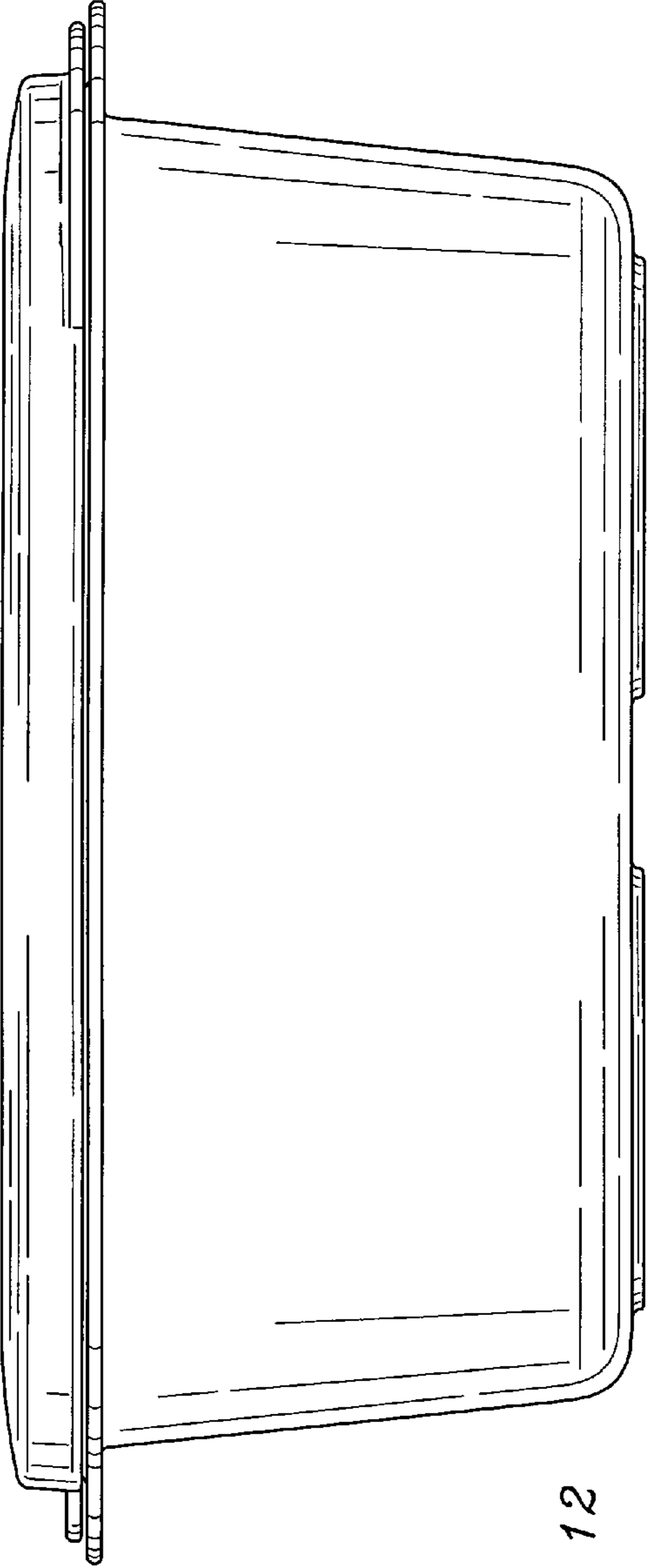


FIG. 12

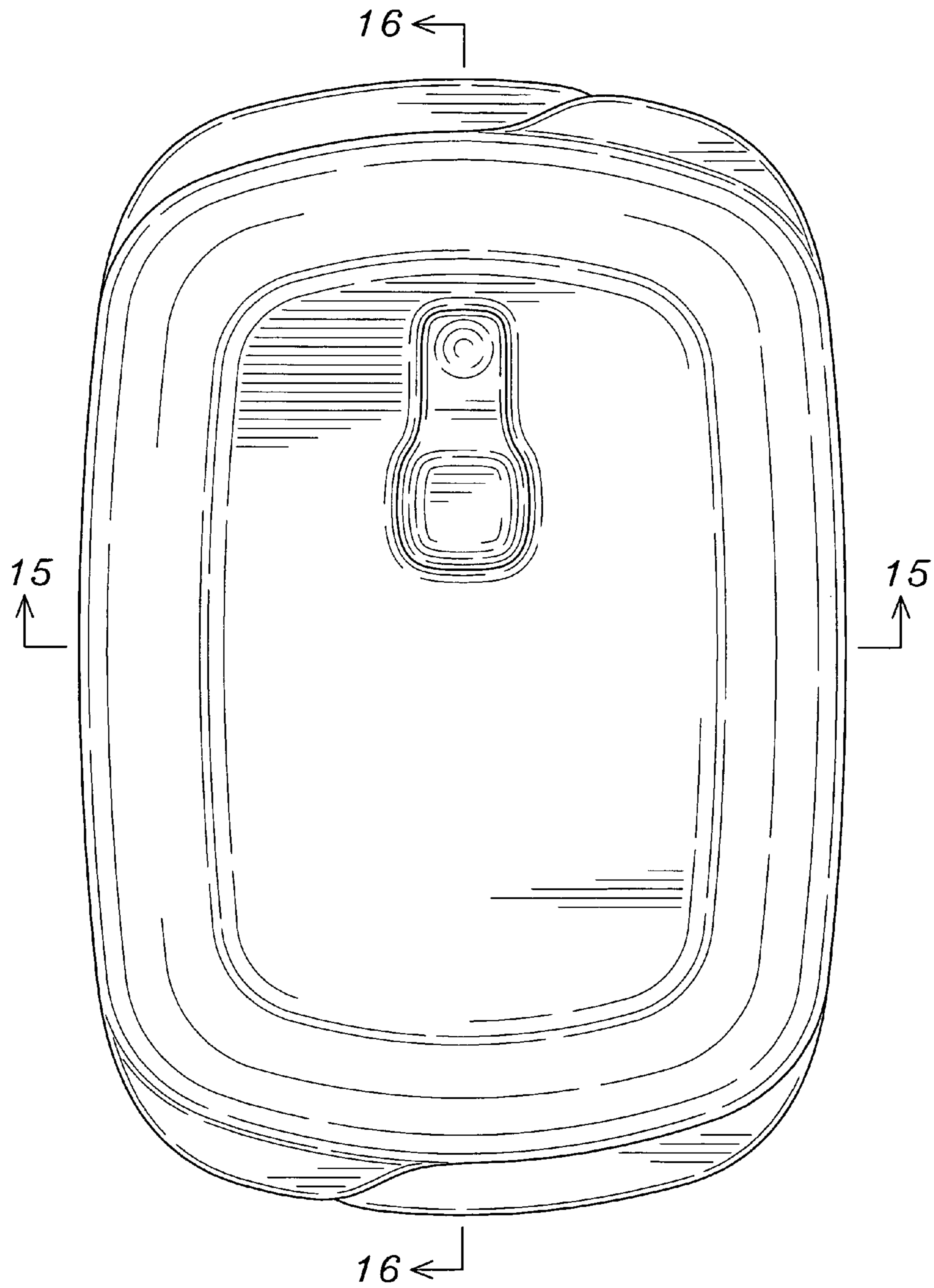


FIG. 13

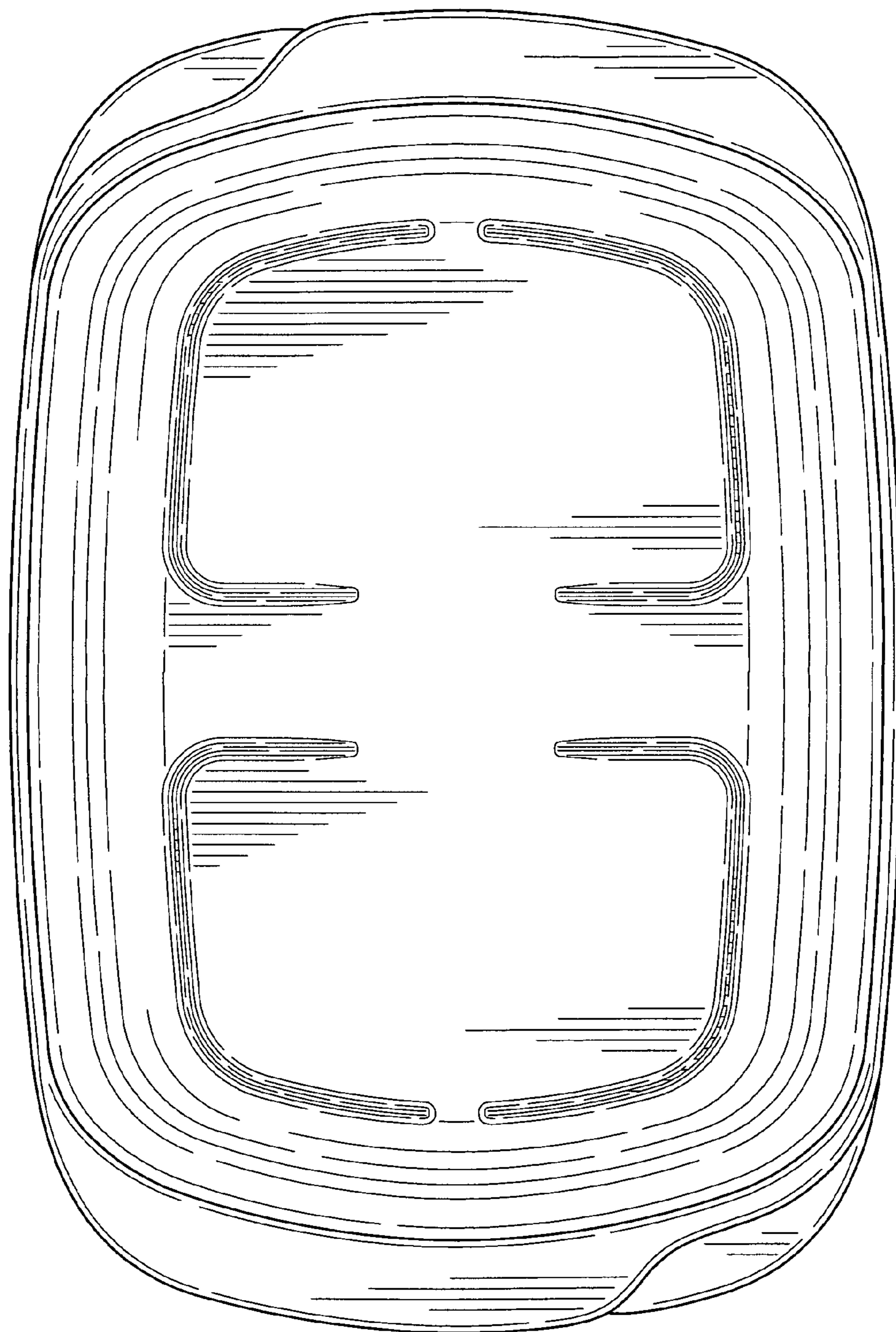


FIG. 14

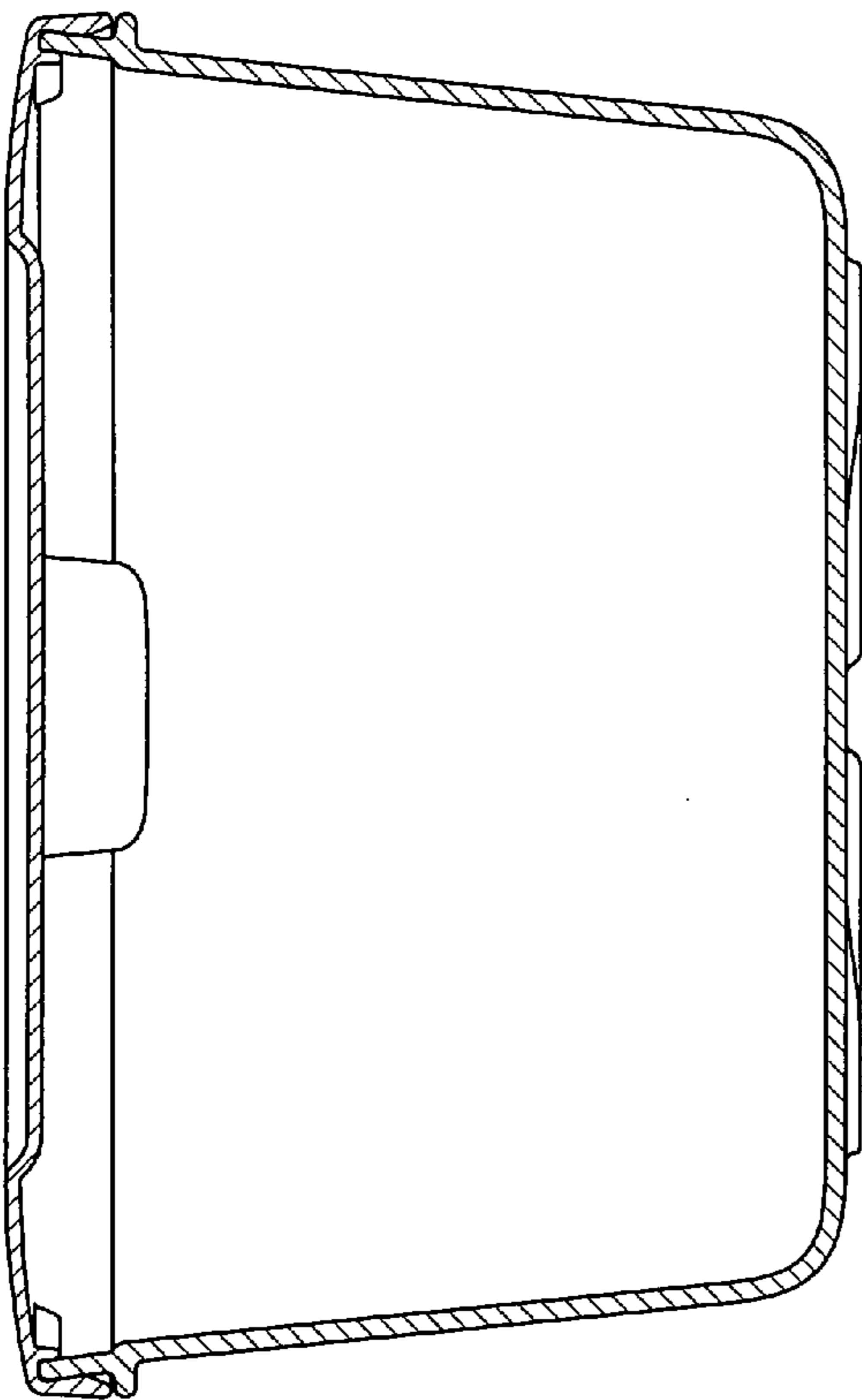


FIG. 15

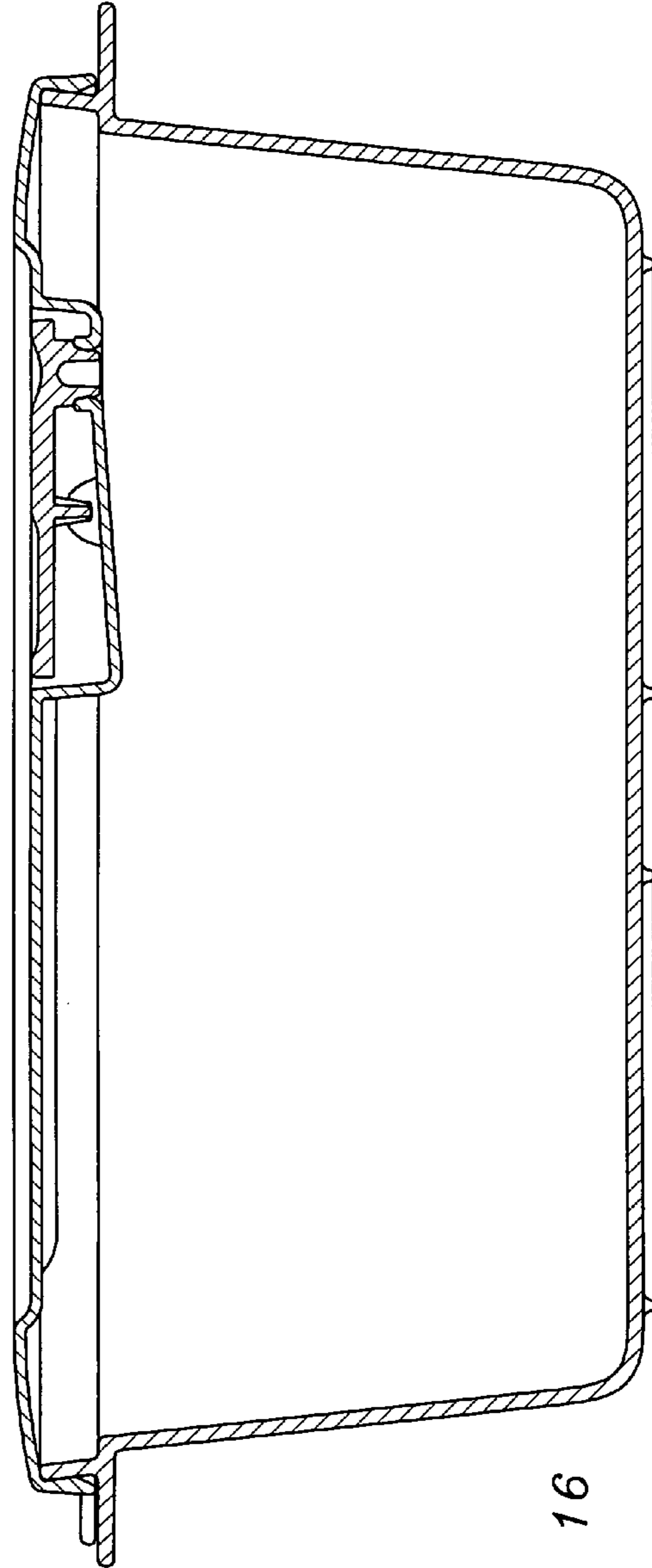


FIG. 16

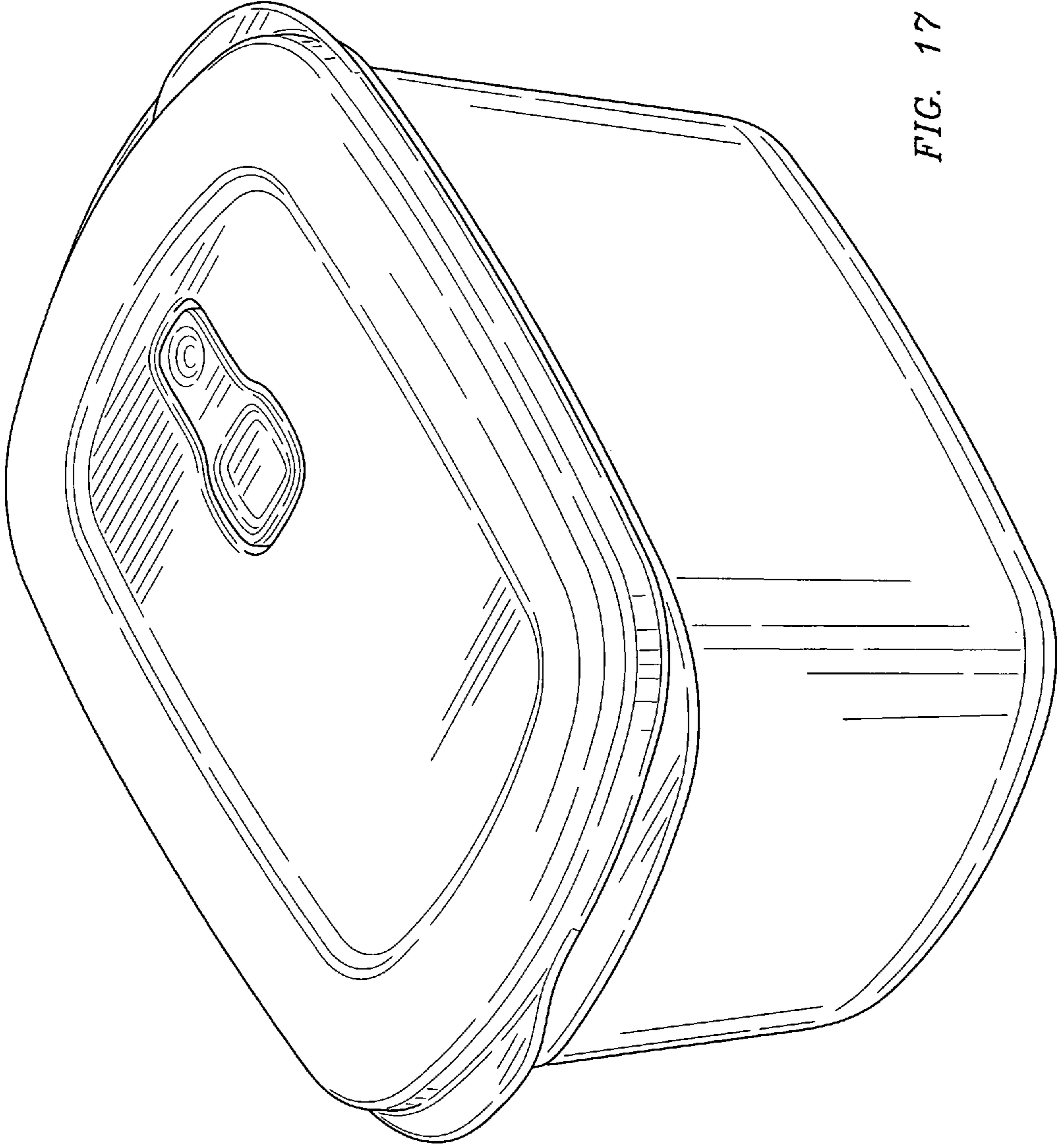


FIG. 17

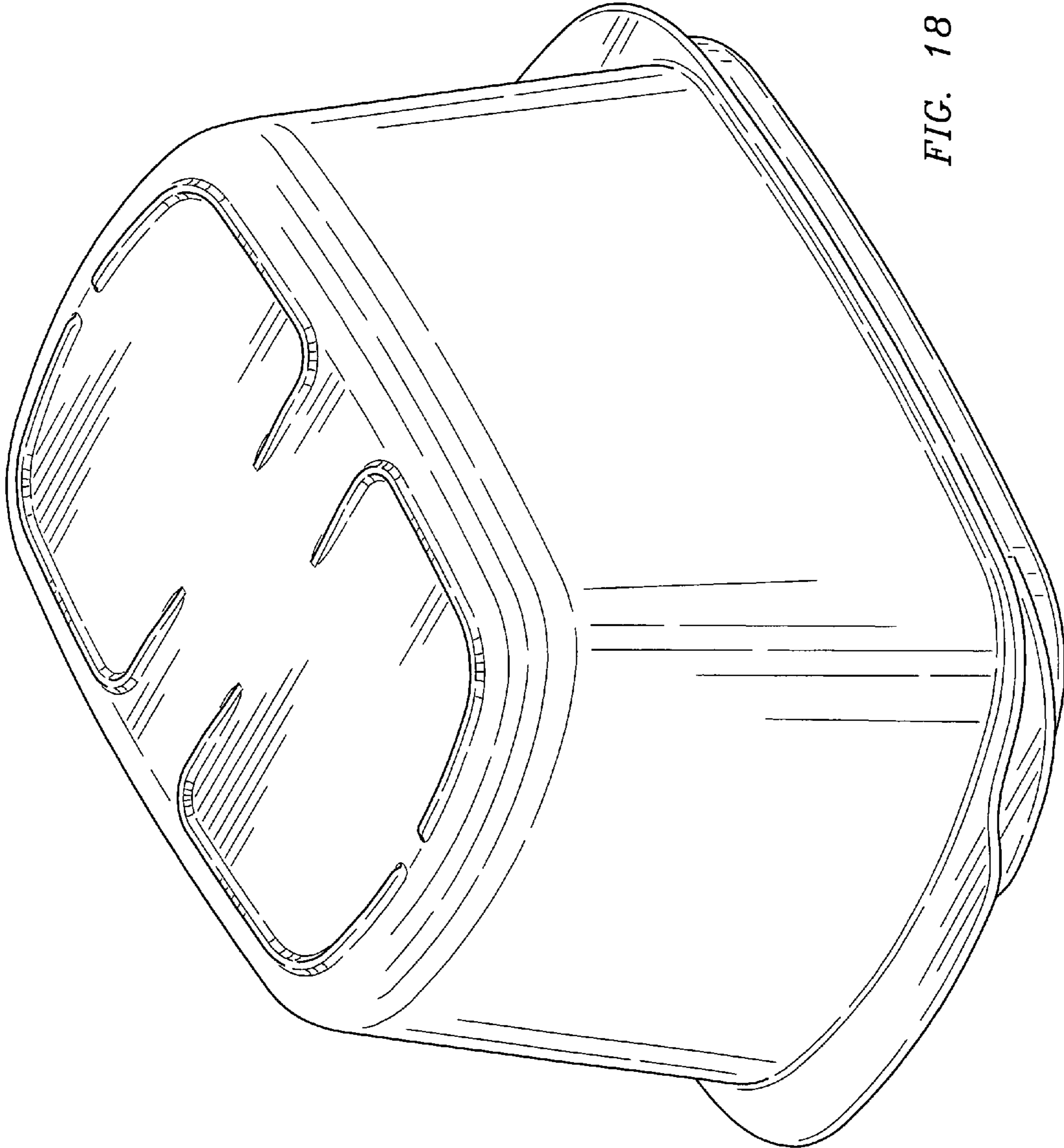


FIG. 18

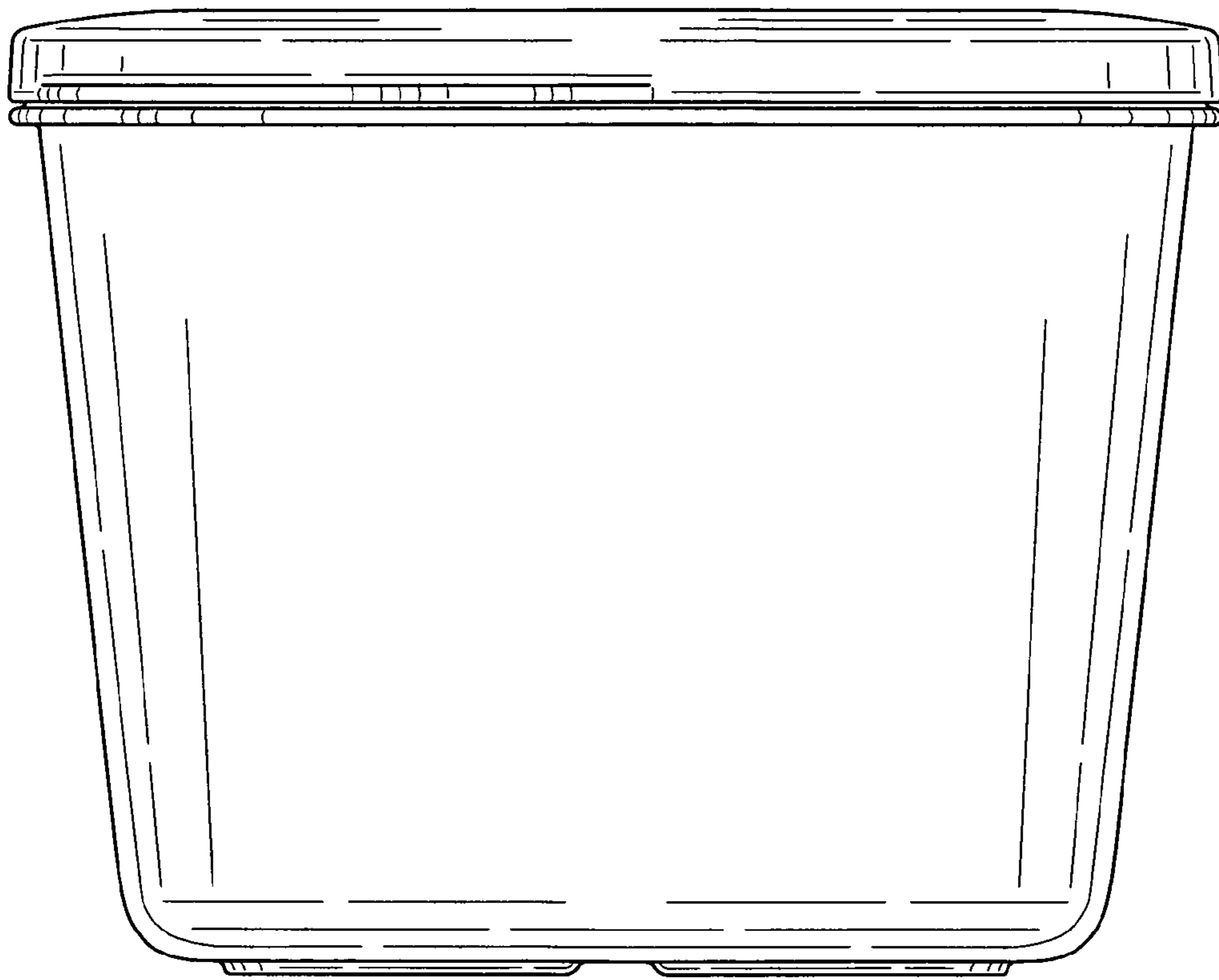


FIG. 19

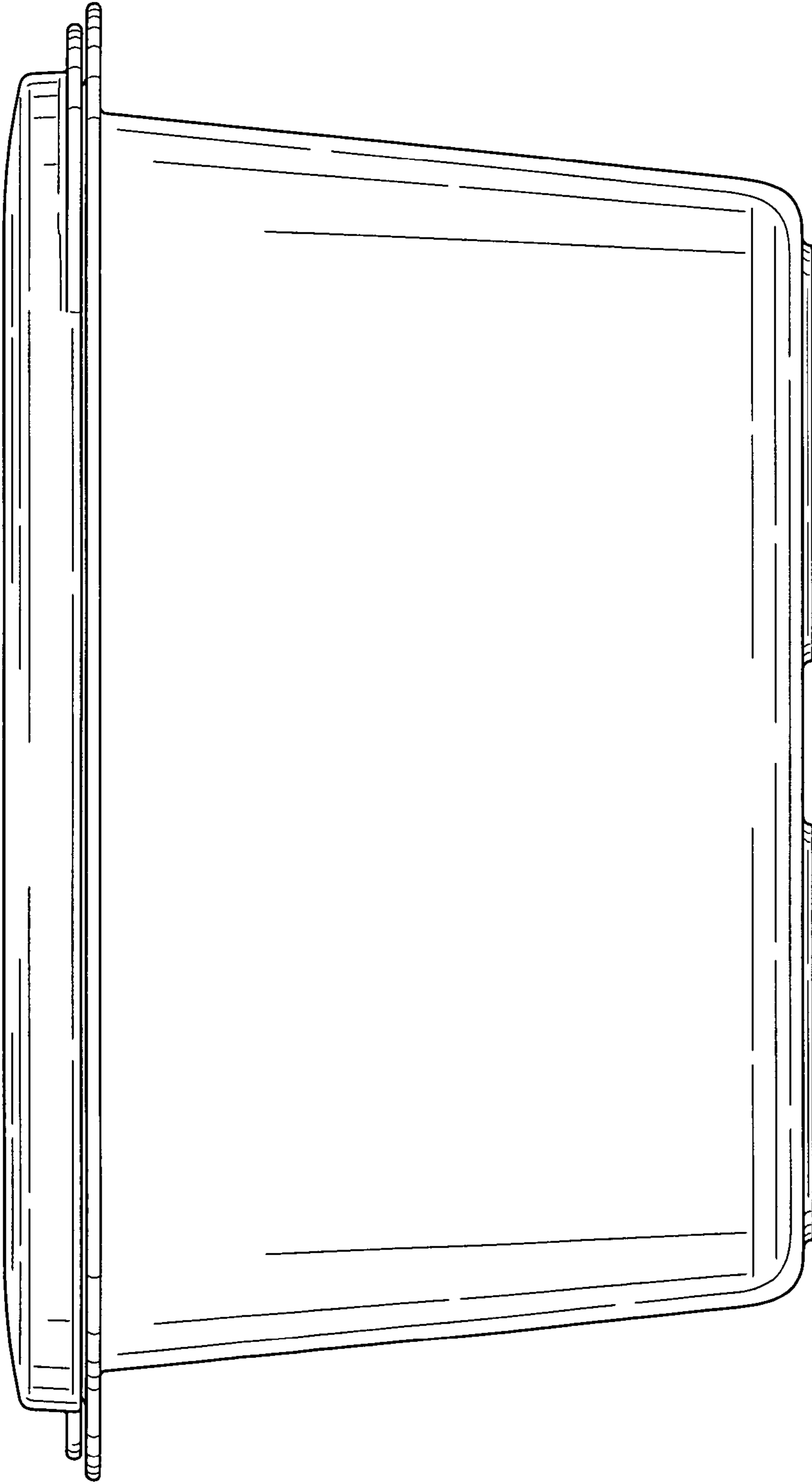


FIG. 20

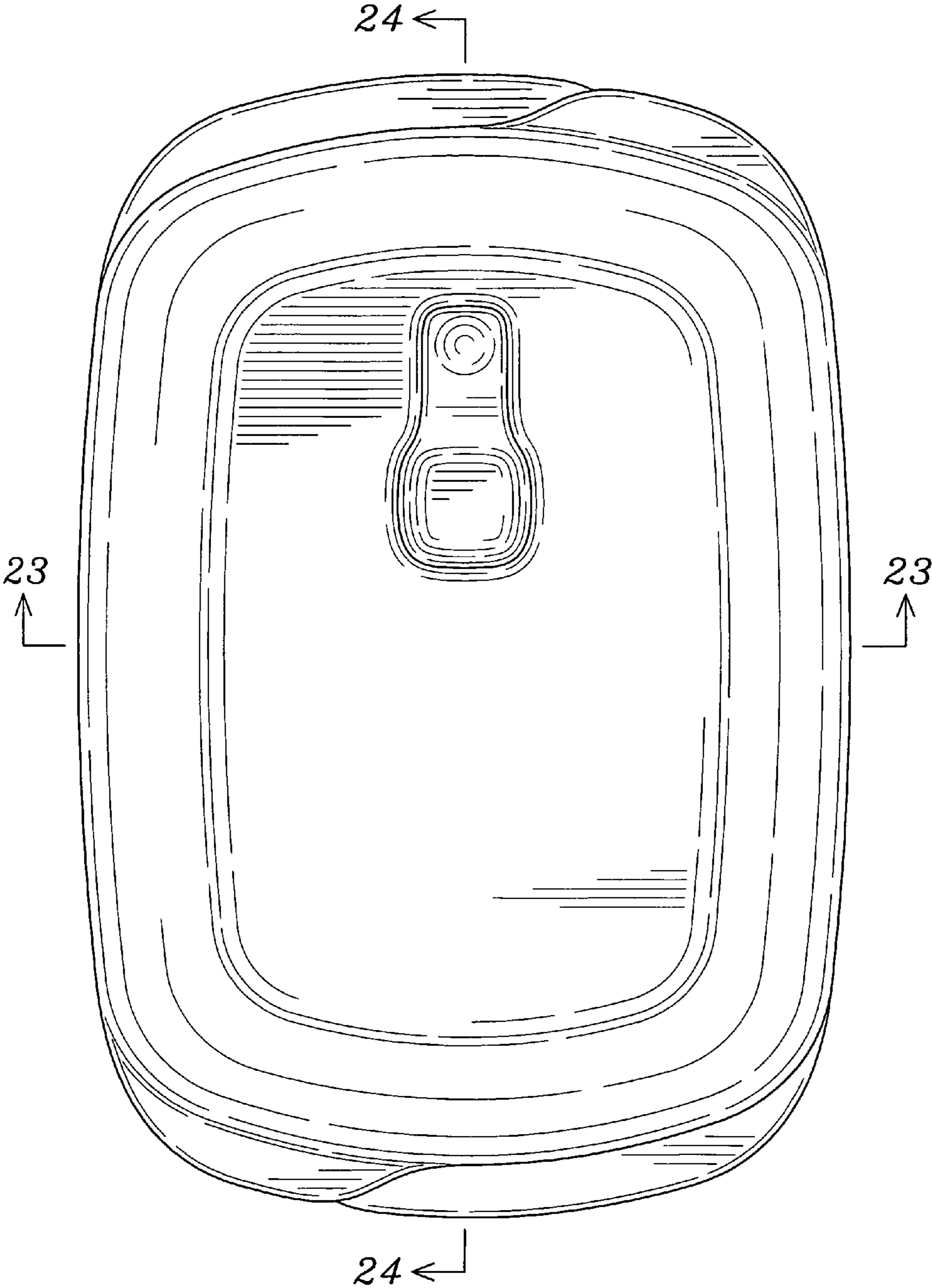


FIG. 21

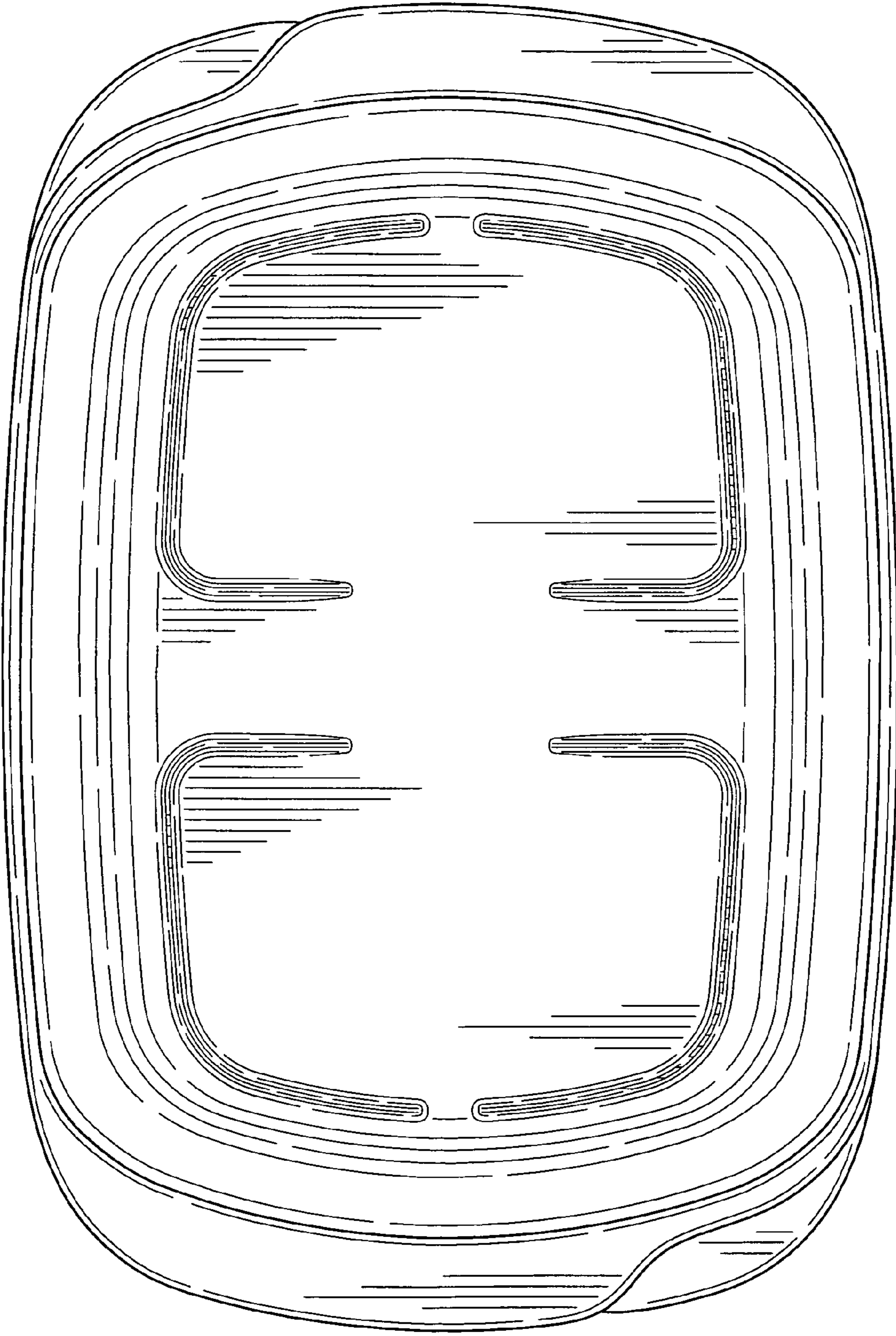


FIG. 22

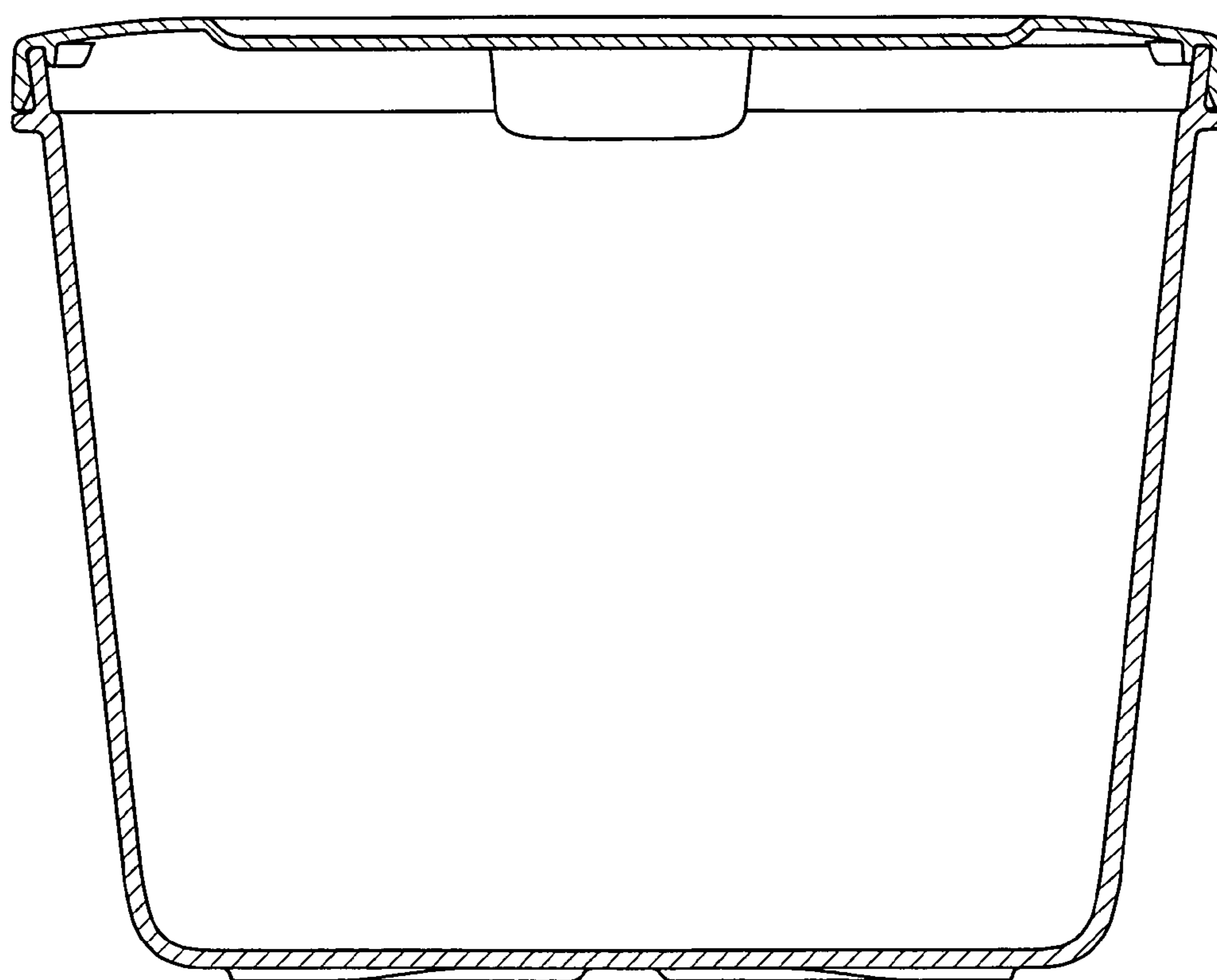


FIG. 23

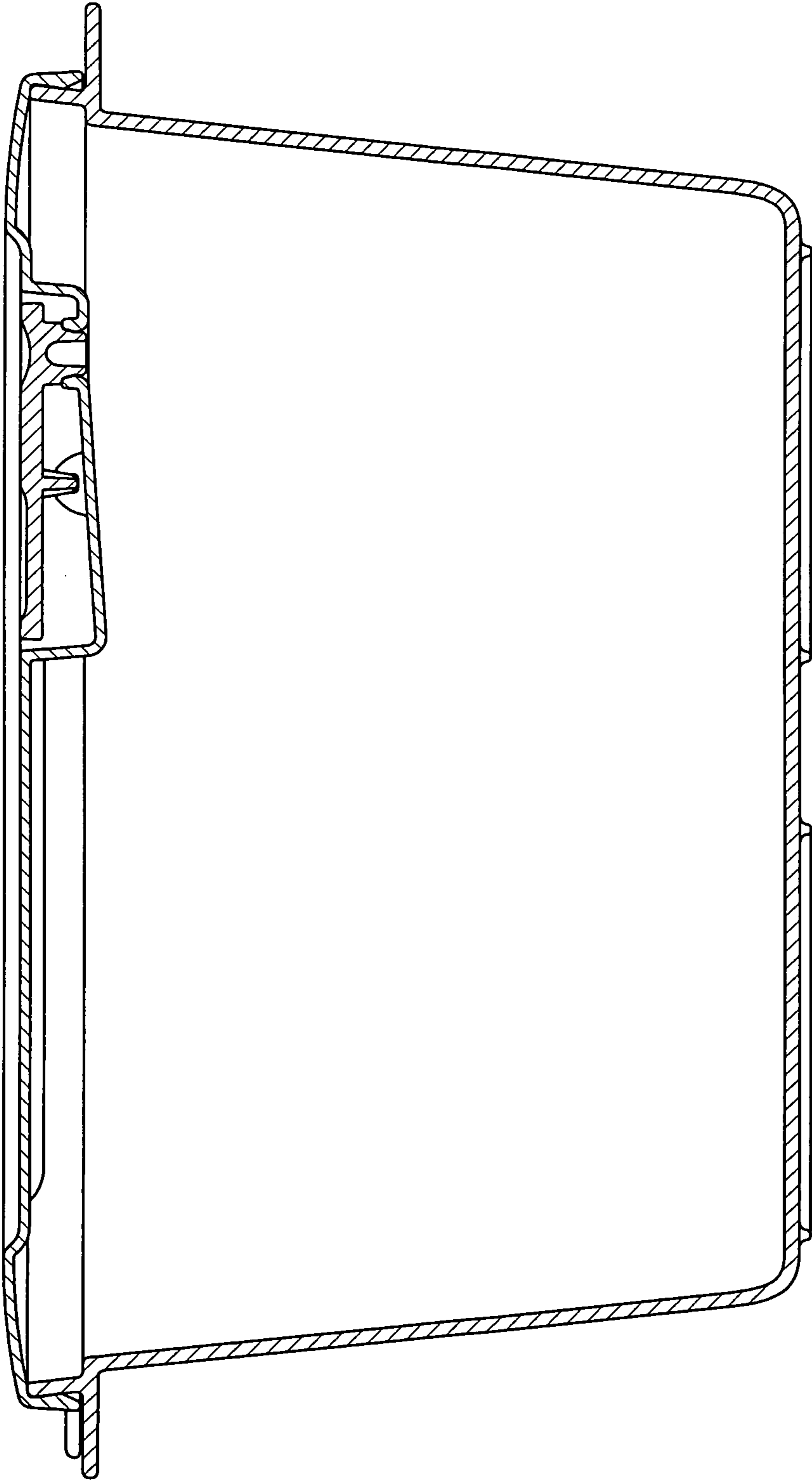


FIG. 24