



US00D700480S

(12) **United States Design Patent**  
**Yessin et al.**

(10) **Patent No.:** **US D700,480 S**  
(45) **Date of Patent:** **\*\* Mar. 4, 2014**

(54) **CONTAINER FOR FOOD**

(75) Inventors: **Julie L. Yessin**, Orlando, FL (US);  
**Jan-Hendrik de Groot**, Brussels (BE)

(73) Assignee: **Dart Industries Inc.**, Orlando, FL (US)

(\*\*) Term: **14 Years**

(21) Appl. No.: **29/421,561**

(22) Filed: **Aug. 16, 2012**

(51) **LOC (10) Cl.** ..... **07-07**

(52) **U.S. Cl.**  
USPC ..... **D7/602**

(58) **Field of Classification Search**  
USPC ..... D7/601, 602, 628-630, 538-542;  
D9/424-432, 737, 756, 761; D3/273,  
D3/274, 201, 203.1-203.8; 220/780-806,  
220/675, 574-575, 236, 326, 324,  
220/4.23-4.25

See application file for complete search history.

(56) **References Cited**

**U.S. PATENT DOCUMENTS**

D175,202 S	7/1955	Tupper	
2,780,385 A	2/1957	Tupper	
3,424,342 A *	1/1969	Scopp et al.	220/793
D238,137 S	12/1975	Swett	
D246,560 S *	12/1977	Beauchamp et al.	D7/629
D256,310 S	8/1980	Daenen	

(Continued)

**OTHER PUBLICATIONS**

EMSA GmbH (3 sheets); Grevener Damm, Germany; 2011; Set of 3 containers with seals.

*Primary Examiner* — Terry Wallace

(74) *Attorney, Agent, or Firm* — John A. Doninger

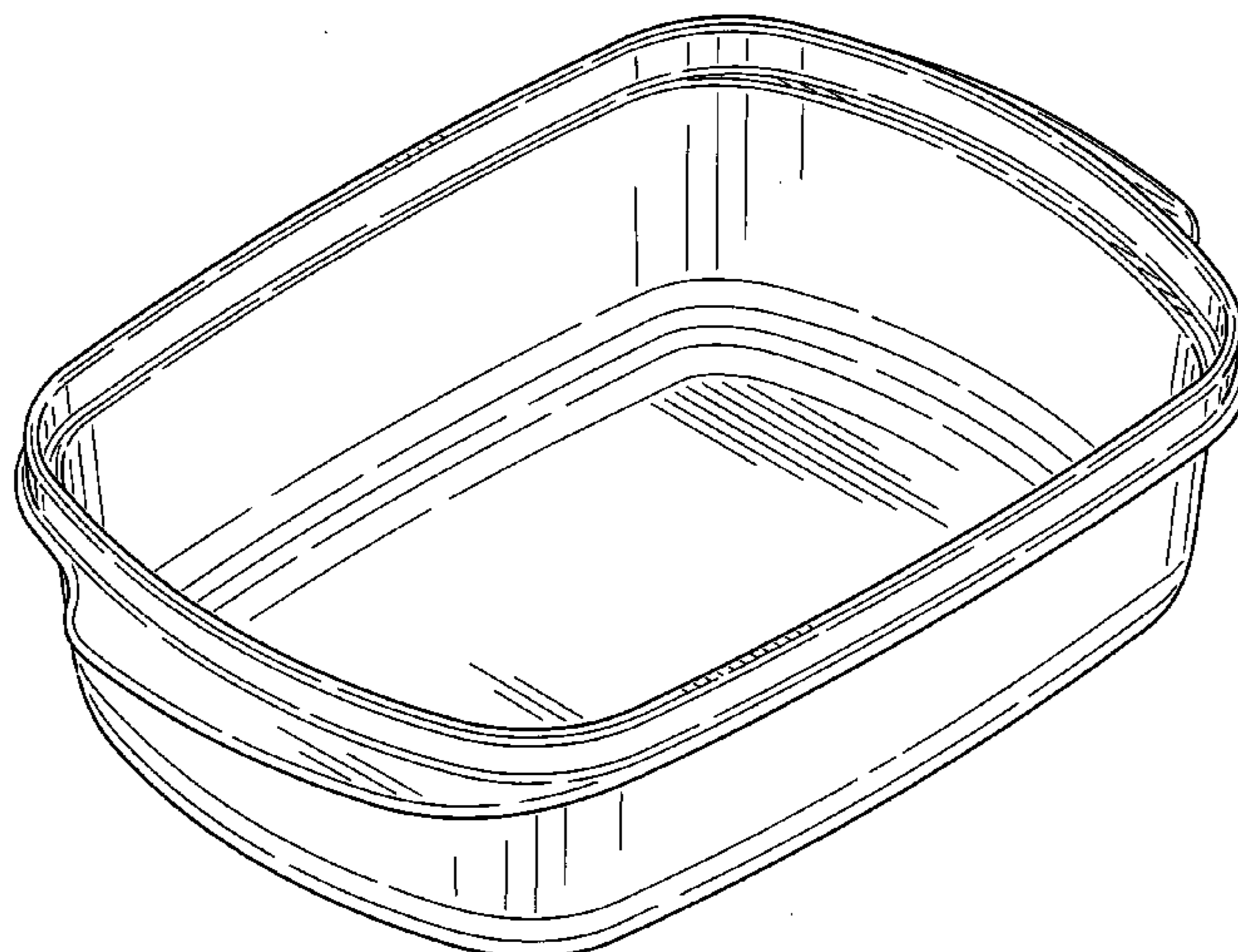
(57) **CLAIM**

The ornamental design for a container for food, as shown and described.

**DESCRIPTION**

FIG. 1 is a top, side and front perspective view of the first embodiment of a container for food showing our new design; FIG. 2 is a bottom, side and front perspective view thereof; FIG. 3 is a front elevation view, the rear elevation being a mirror image thereof; FIG. 4 is a left side elevation view, the right side elevation being a mirror image thereof; FIG. 5 is a top plan view thereof; FIG. 6 is a bottom plan view thereof; FIG. 7 is a cross-sectional view taken along line 7-7 of FIG. 5; FIG. 8 is a cross-sectional view taken along line 8-8 of FIG. 5; FIG. 9 is a top, side and front perspective view of the second embodiment of a container for food showing our new design; FIG. 10 is a bottom, side and front perspective view thereof; FIG. 11 is a front elevation view, the rear elevation being a mirror image thereof; FIG. 12 is a left side elevation view, the right side elevation being a mirror image thereof; FIG. 13 is a top plan view thereof; FIG. 14 is a bottom plan view thereof; FIG. 15 is a cross-sectional view taken along line 15-15 of FIG. 13; FIG. 16 is a cross-sectional view taken along line 16-16 of FIG. 13; FIG. 17 is a top, side and front perspective view of the third embodiment of a container for food showing our new design; FIG. 18 is a bottom, side and front perspective view thereof; FIG. 19 is a front elevation view, the rear elevation being a mirror image thereof; FIG. 20 is a left side elevation view, the right side elevation being a mirror image thereof; FIG. 21 is a top plan view thereof; FIG. 22 is a bottom plan view thereof; FIG. 23 is a cross-sectional view taken along line 23-23 of FIG. 21; and, FIG. 24 is a cross-sectional view taken along line 24-24 of FIG. 21.

**1 Claim, 20 Drawing Sheets**



(56)

References Cited

U.S. PATENT DOCUMENTS

D257,107 S	9/1980	Daenen et al.	D419,371 S	1/2000	Haley	
D274,030 S	5/1984	Daenen et al.	D420,252 S	2/2000	Loew et al.	
D276,400 S	11/1984	Daenen et al.	D420,548 S	2/2000	Loew et al.	
D276,401 S	11/1984	Daenen et al.	D425,363 S	5/2000	Loew et al.	
D276,402 S	11/1984	Daenen et al.	D429,970 S	8/2000	Liu	
D277,724 S	2/1985	Daenen et al.	D466,364 S	12/2002	Demore	
D279,251 S	6/1985	Daenen et al.	D469,314 S	* 1/2003	Thonis et al.	D7/602
D279,252 S	6/1985	Daenen et al.	D469,320 S	* 1/2003	Pettaweebuncha	D7/629
D279,253 S	6/1985	Daenen et al.	D489,975 S	5/2004	Jackson et al.	
D279,952 S	8/1985	Daenen et al.	D496,272 S	9/2004	Jackson et al.	
D280,058 S	8/1985	Carlson	D502,394 S	3/2005	Jackson et al.	
D280,281 S	8/1985	Conti et al.	D521,380 S	5/2006	Jackson et al.	
D280,484 S	9/1985	Conti et al.	D523,344 S	6/2006	Toth et al.	
D282,808 S	3/1986	Daenen et al.	D537,724 S	3/2007	Toth et al.	
D282,809 S	3/1986	Daenen et al.	D551,492 S	* 9/2007	Schuler	D7/354
D287,559 S	* 1/1987	Daenen et al.	D553,444 S	* 10/2007	de Groote et al.	D7/602
4,819,824 A	* 4/1989	Longbottom et al.	D562,624 S	2/2008	Kortleven	
D321,111 S	10/1991	Wolff	D592,915 S	5/2009	Olivari	
D353,744 S	12/1994	Ferris et al.	D595,128 S	* 6/2009	Bouveret et al.	D9/425
D371,053 S	6/1996	Lillelund et al.	D596,024 S	7/2009	McCoy et al.	
D372,401 S	8/1996	Lillelund et al.	D609,092 S	2/2010	Laib et al.	
D377,739 S	* 2/1997	Carlson	D614,919 S	* 5/2010	Carlson	D7/602
D389,012 S	1/1998	Miller	D618,516 S	* 6/2010	DiPietro et al.	D7/629
D414,650 S	10/1999	Lillelund et al.	D630,898 S	1/2011	de Groote	
D416,170 S	11/1999	Stucke, Jr. et al.	D631,299 S	* 1/2011	Samartgis	D7/602
D417,817 S	12/1999	Loew et al.	D641,164 S	7/2011	Cornu et al.	
D418,716 S	1/2000	Haley	D643,251 S	* 8/2011	Stamper et al.	D7/602
D418,720 S	1/2000	Lillelund et al.	D644,892 S	9/2011	Stamper et al.	
			D652,672 S	1/2012	Easton	
			D666,876 S	* 9/2012	Rusnak	D7/602
			D672,204 S	* 12/2012	Stamper et al.	D7/602

\* cited by examiner

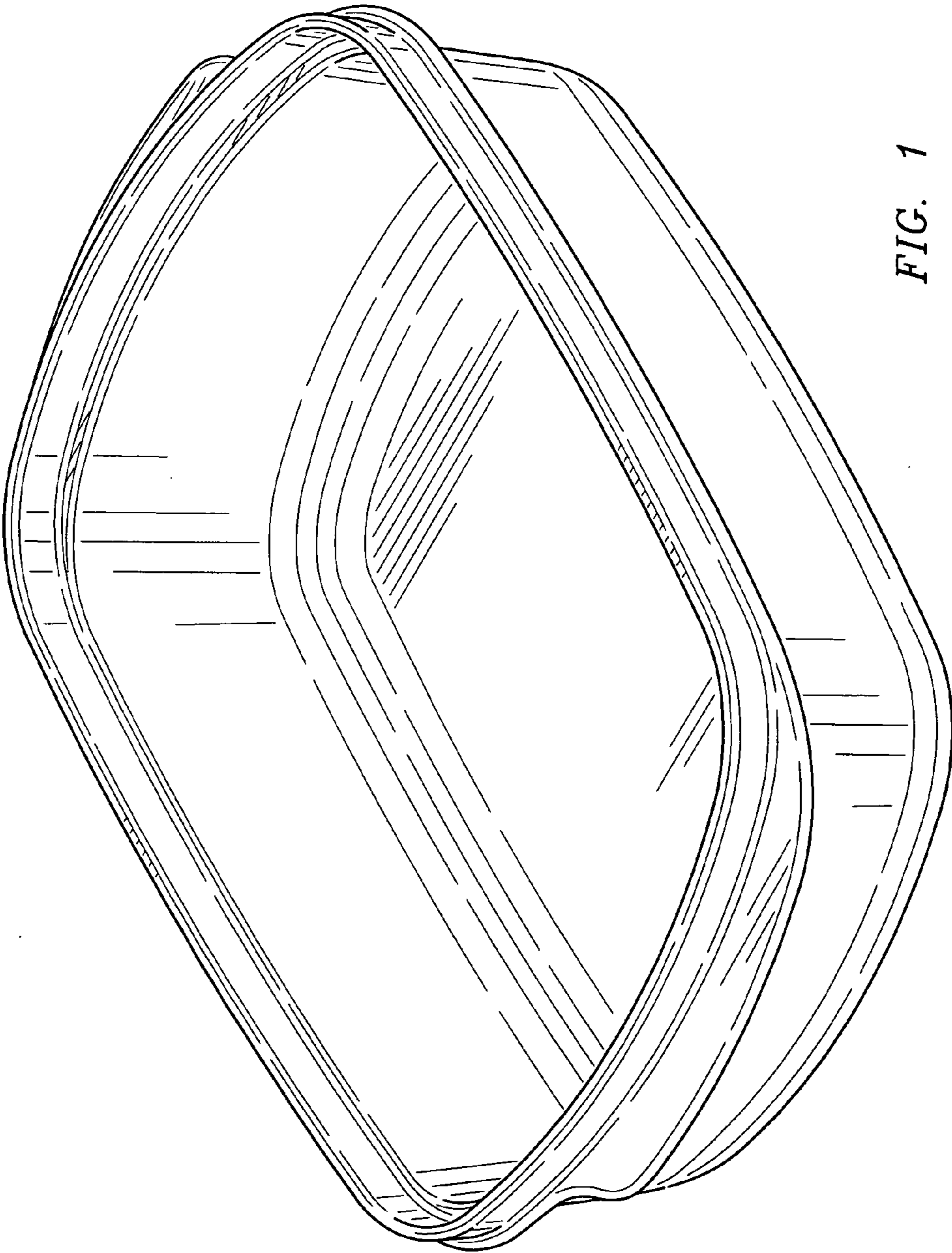


FIG. 1

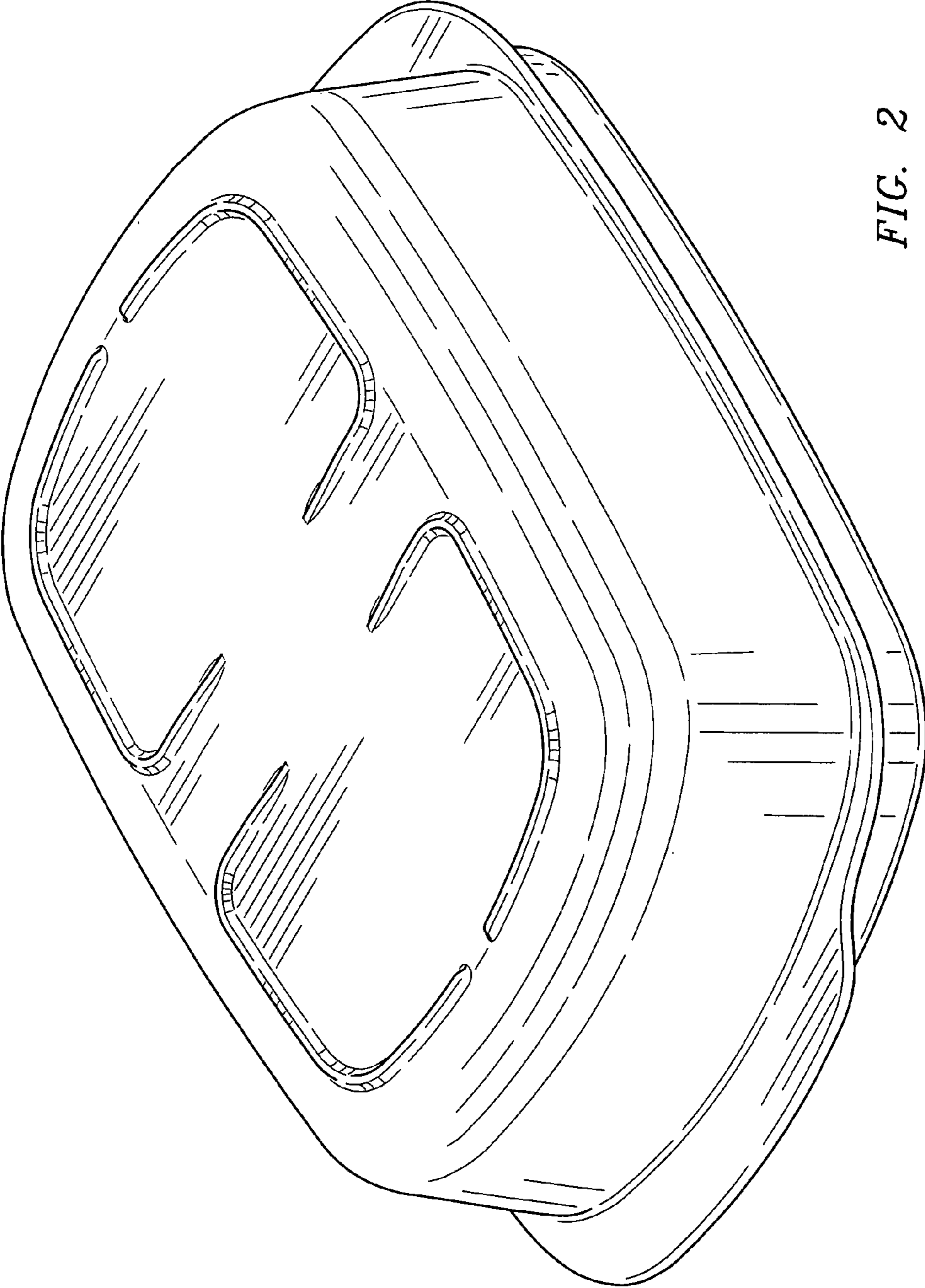


FIG. 2

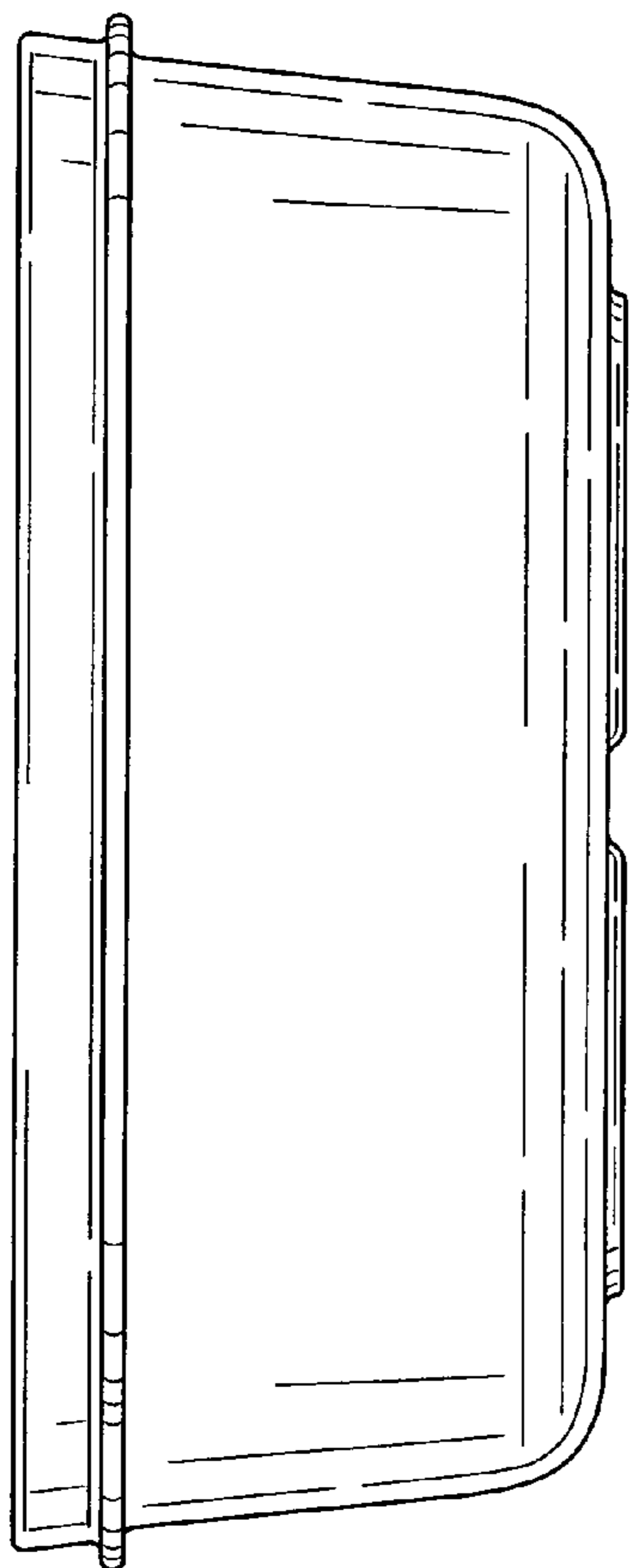


FIG. 3

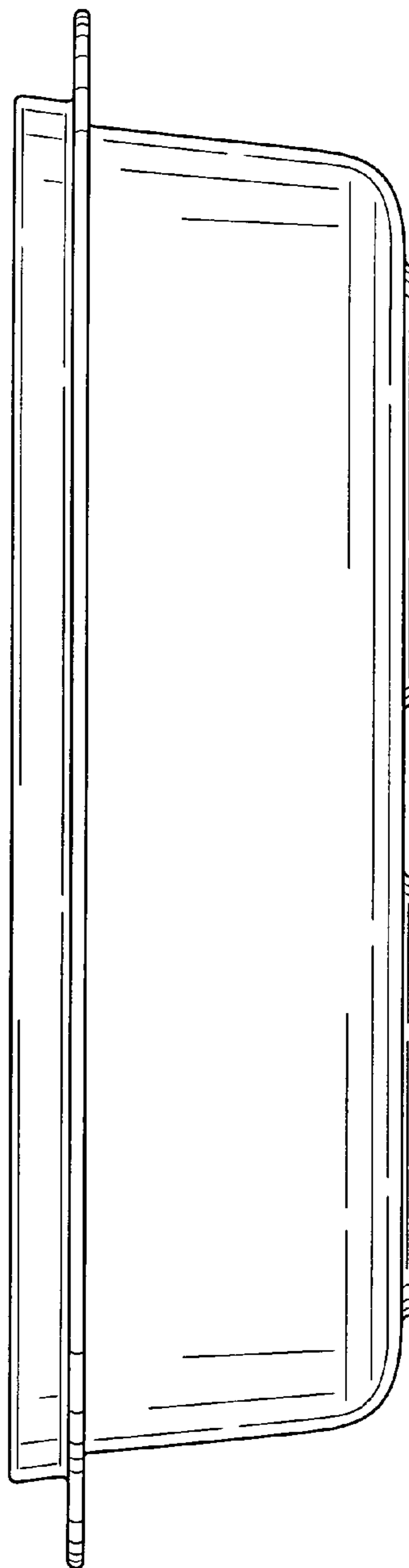


FIG. 4

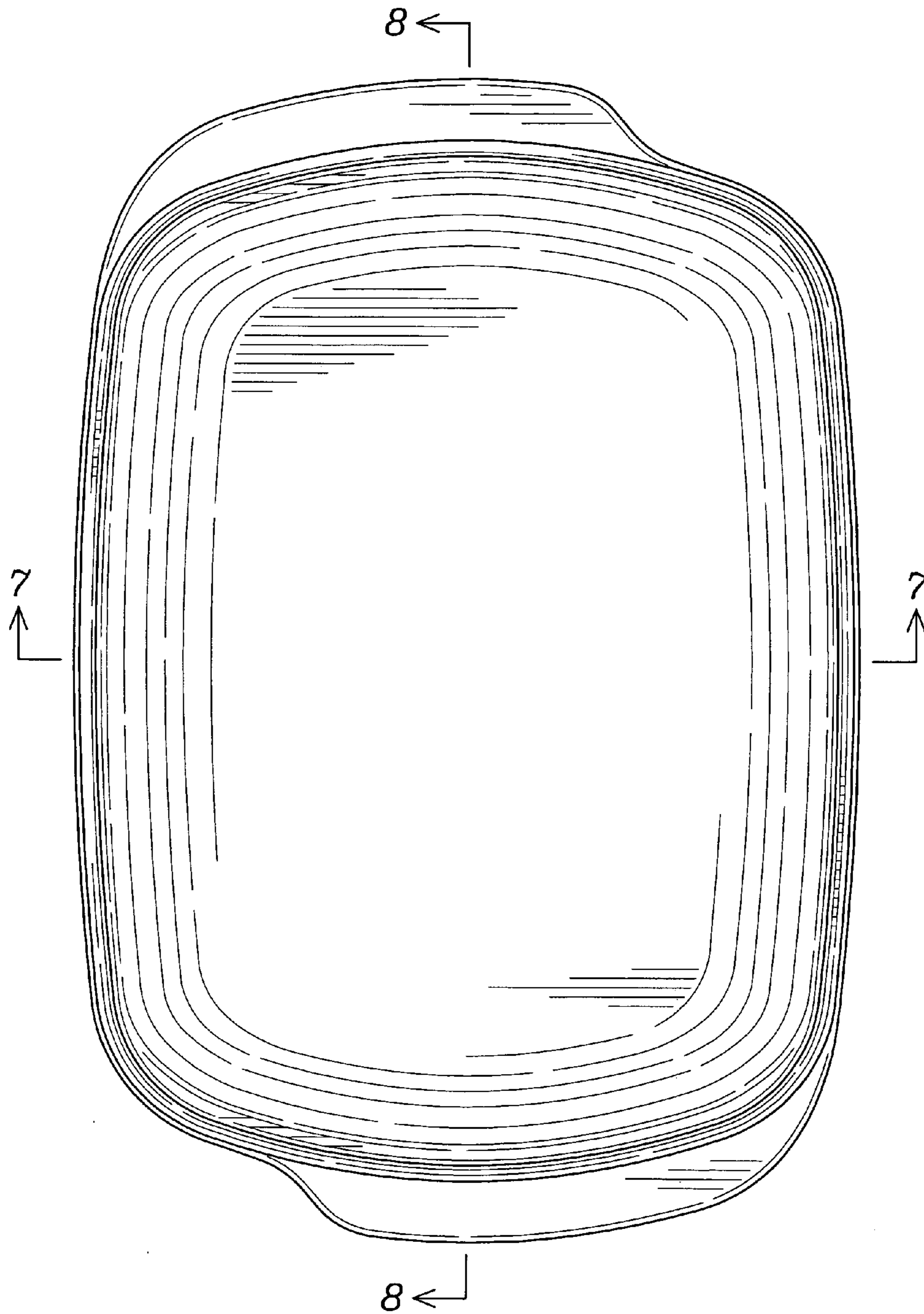


FIG. 5

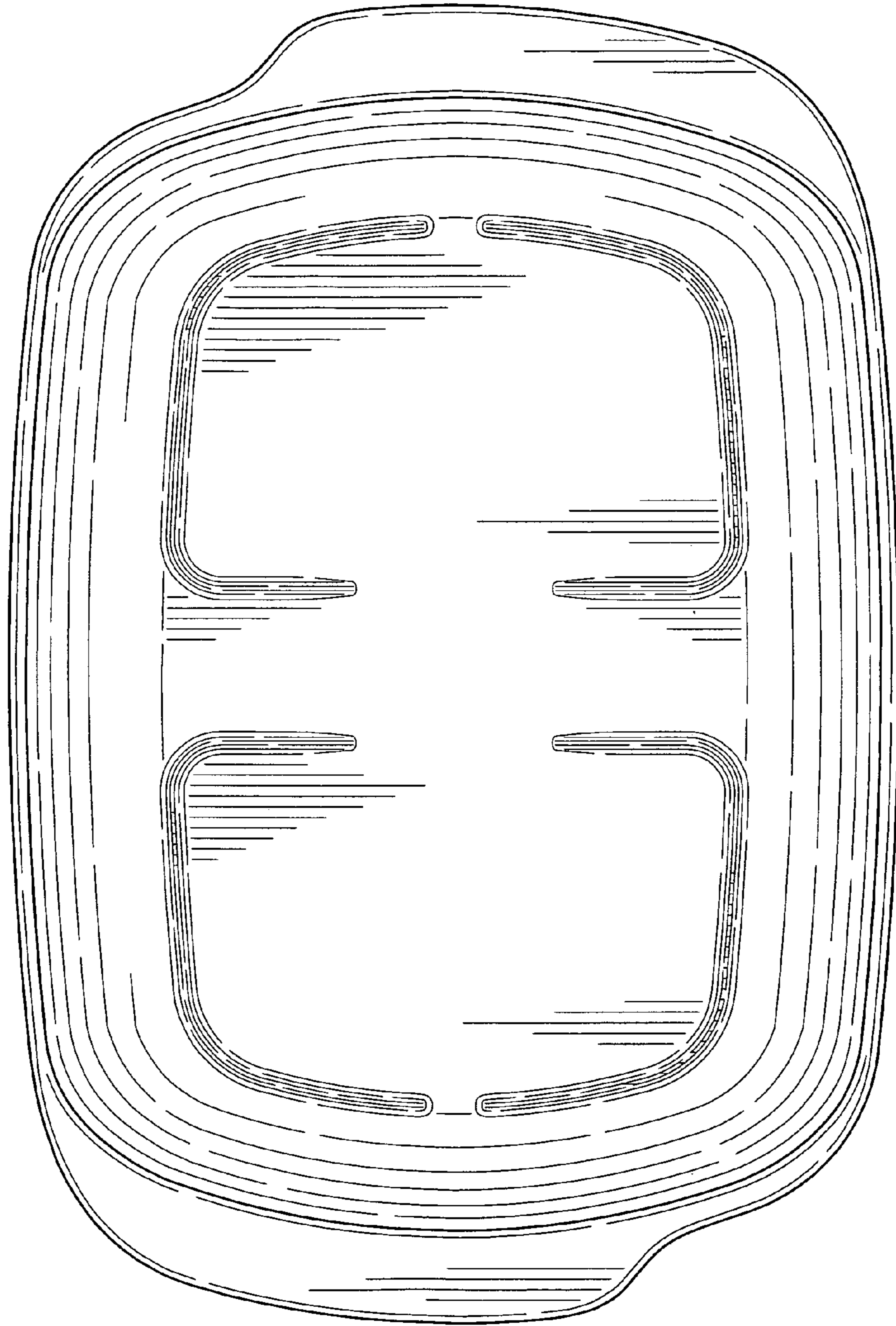


FIG. 6

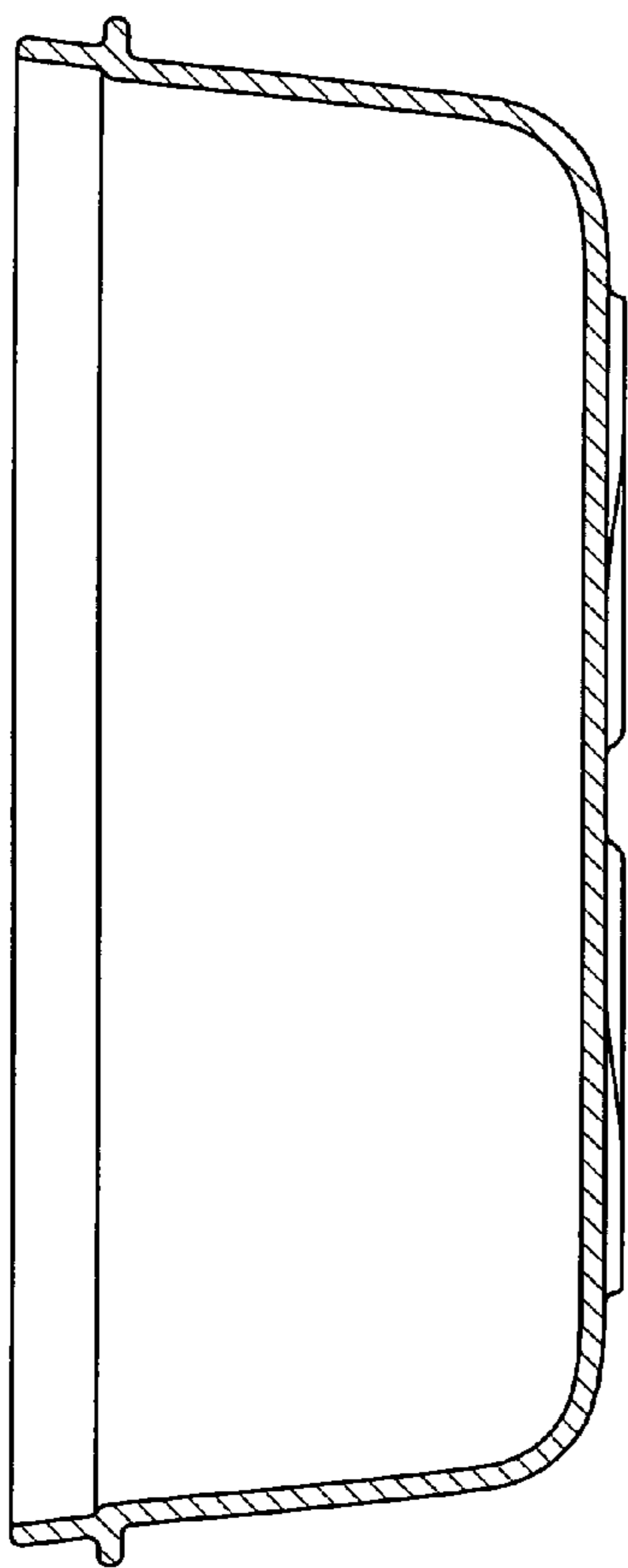


FIG. 7

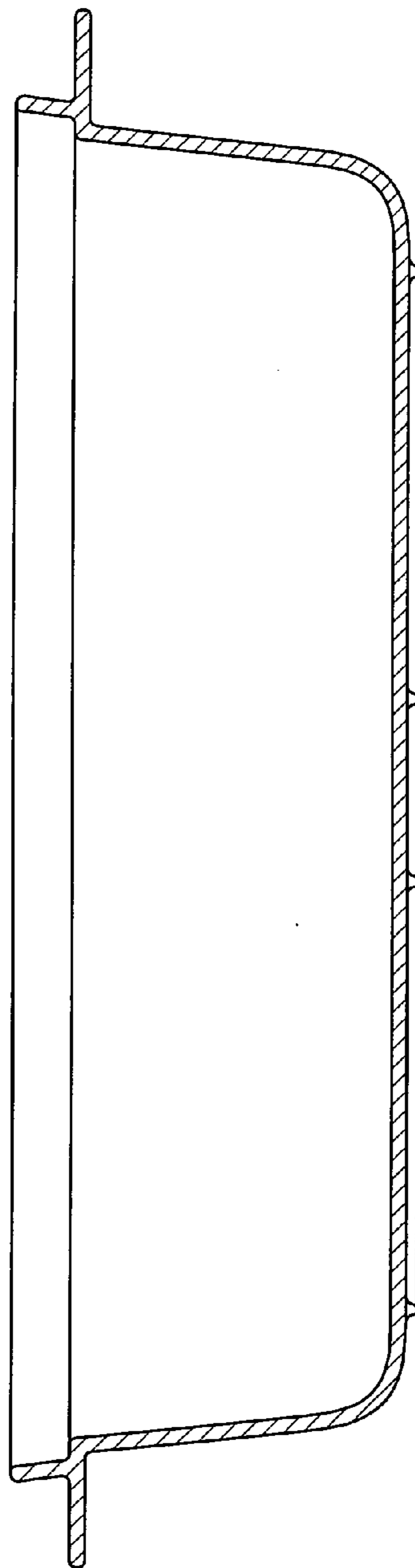


FIG. 8



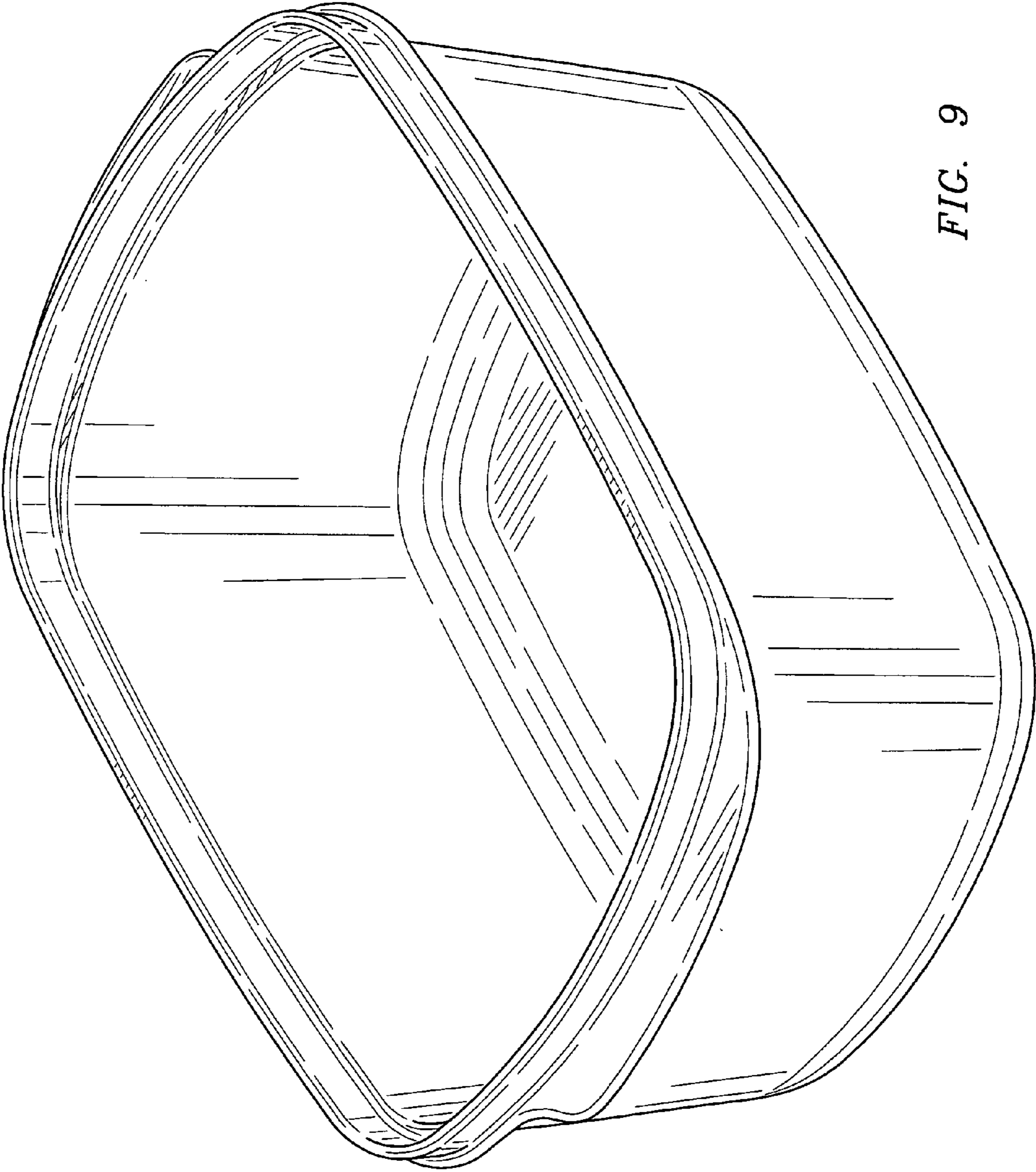


FIG. 9

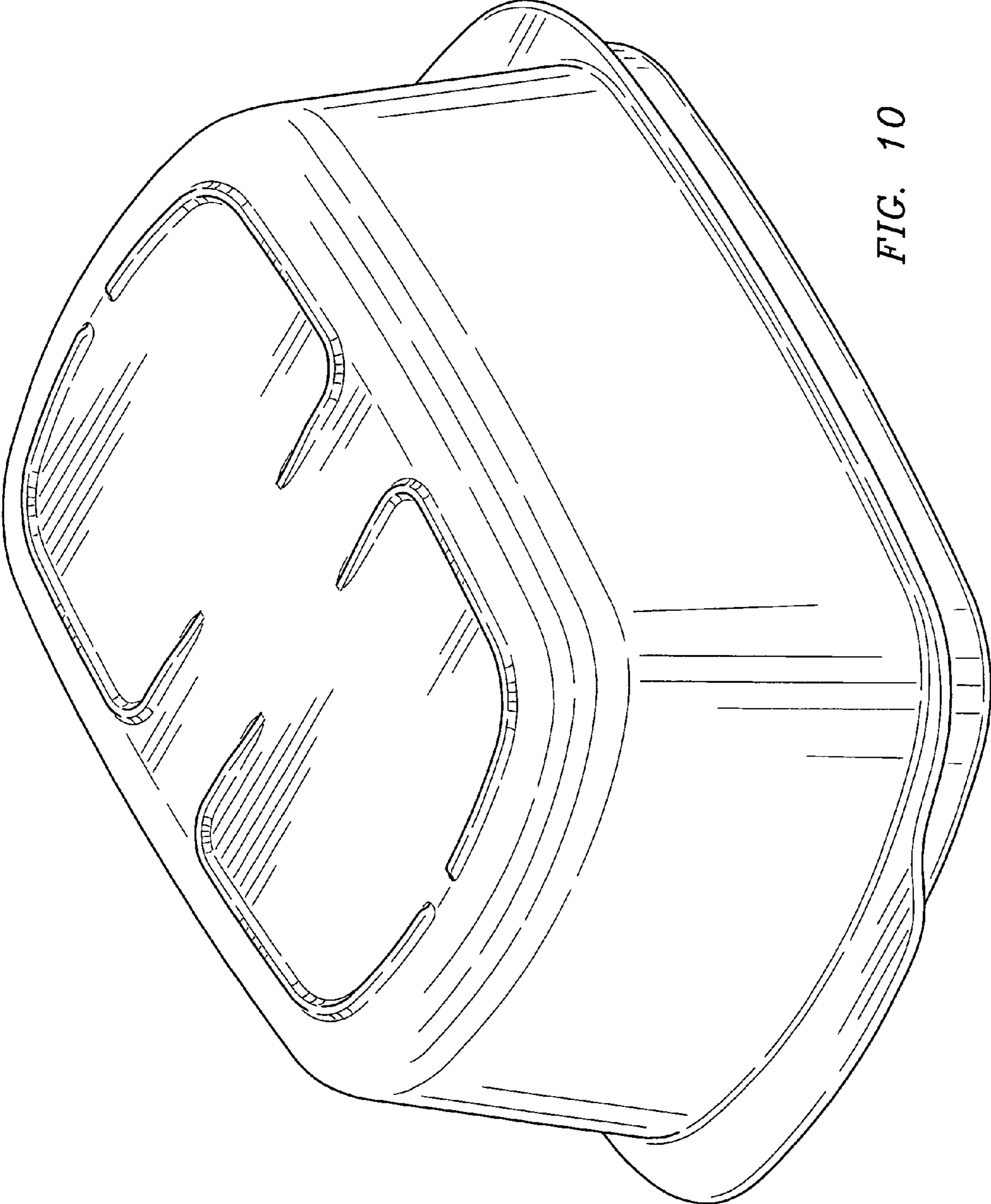


FIG. 10

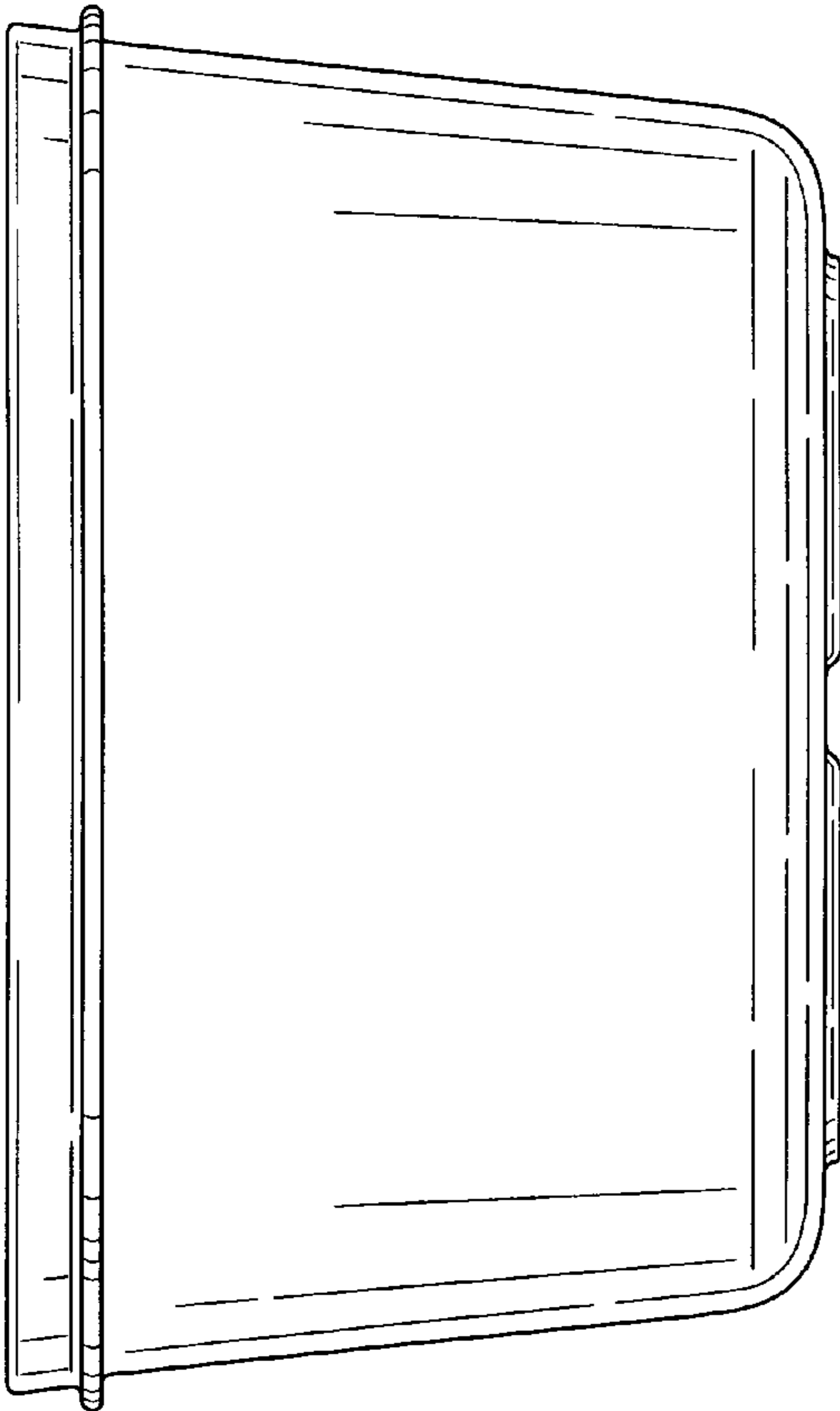


FIG. 11

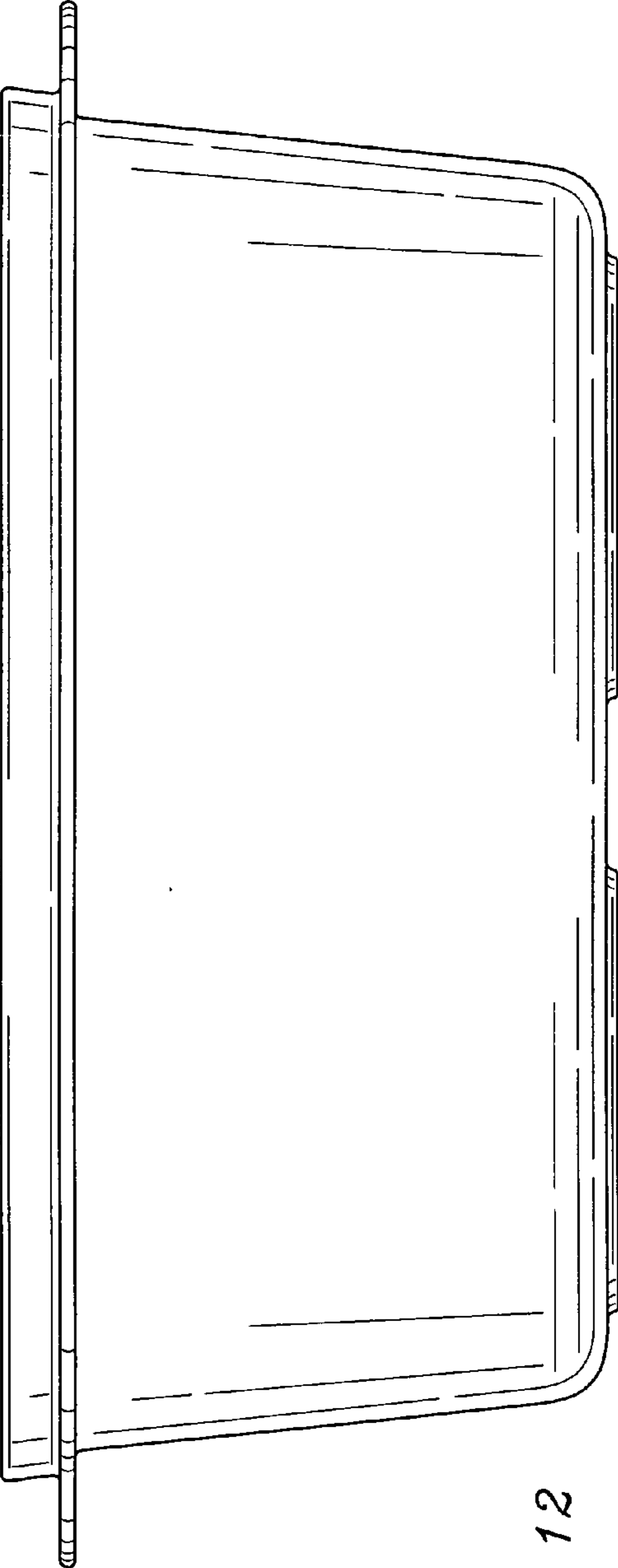


FIG. 12

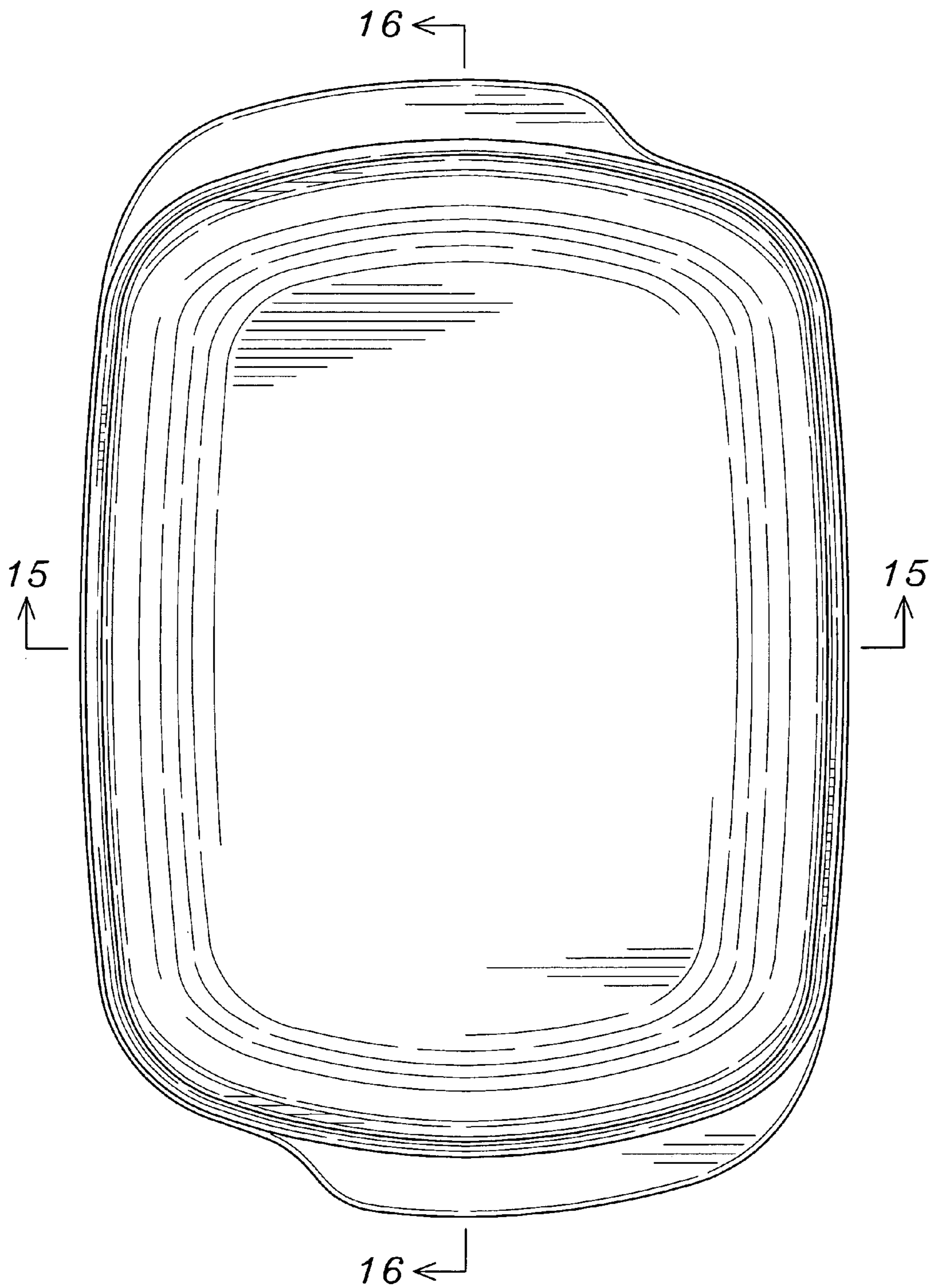


FIG. 13

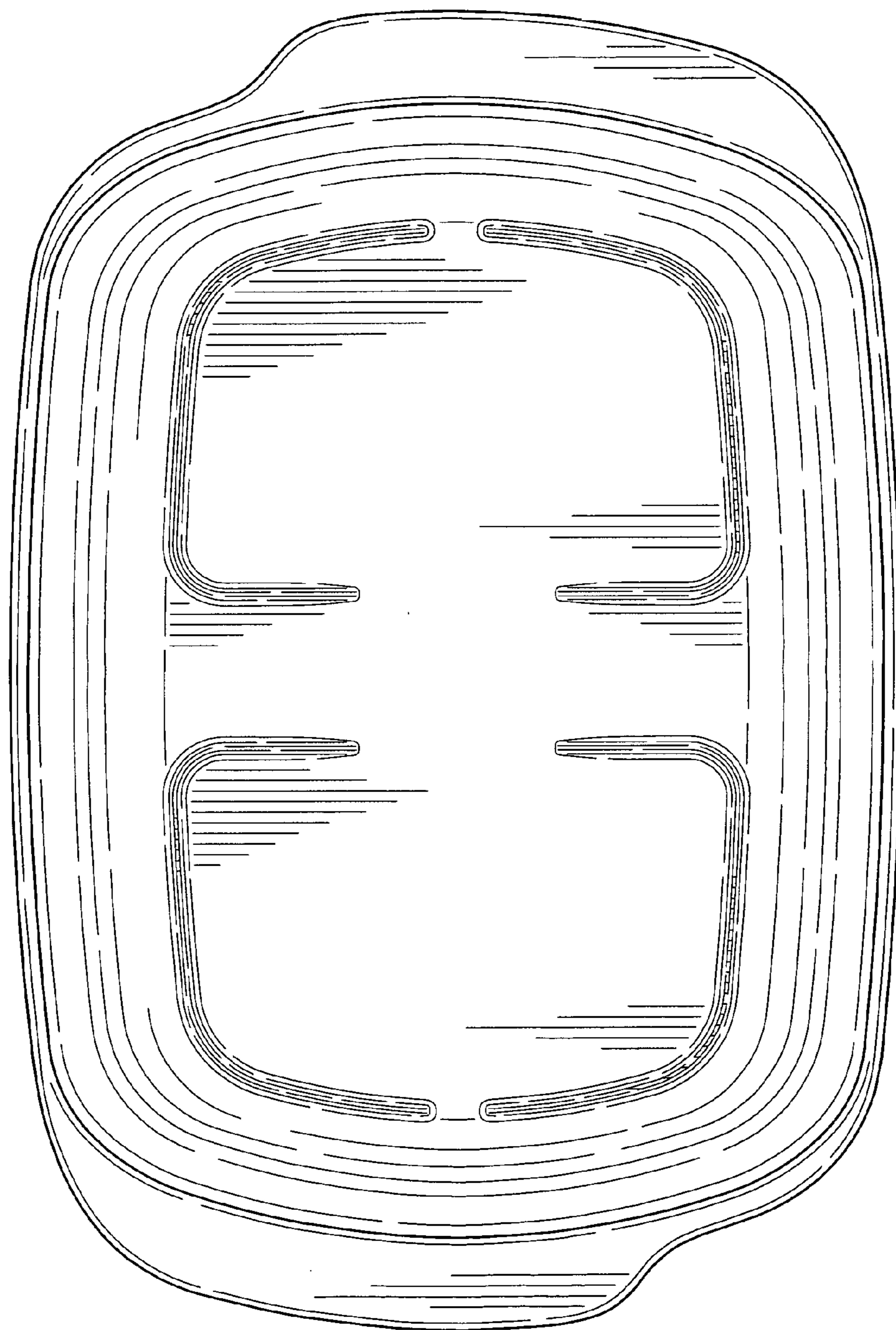


FIG. 14

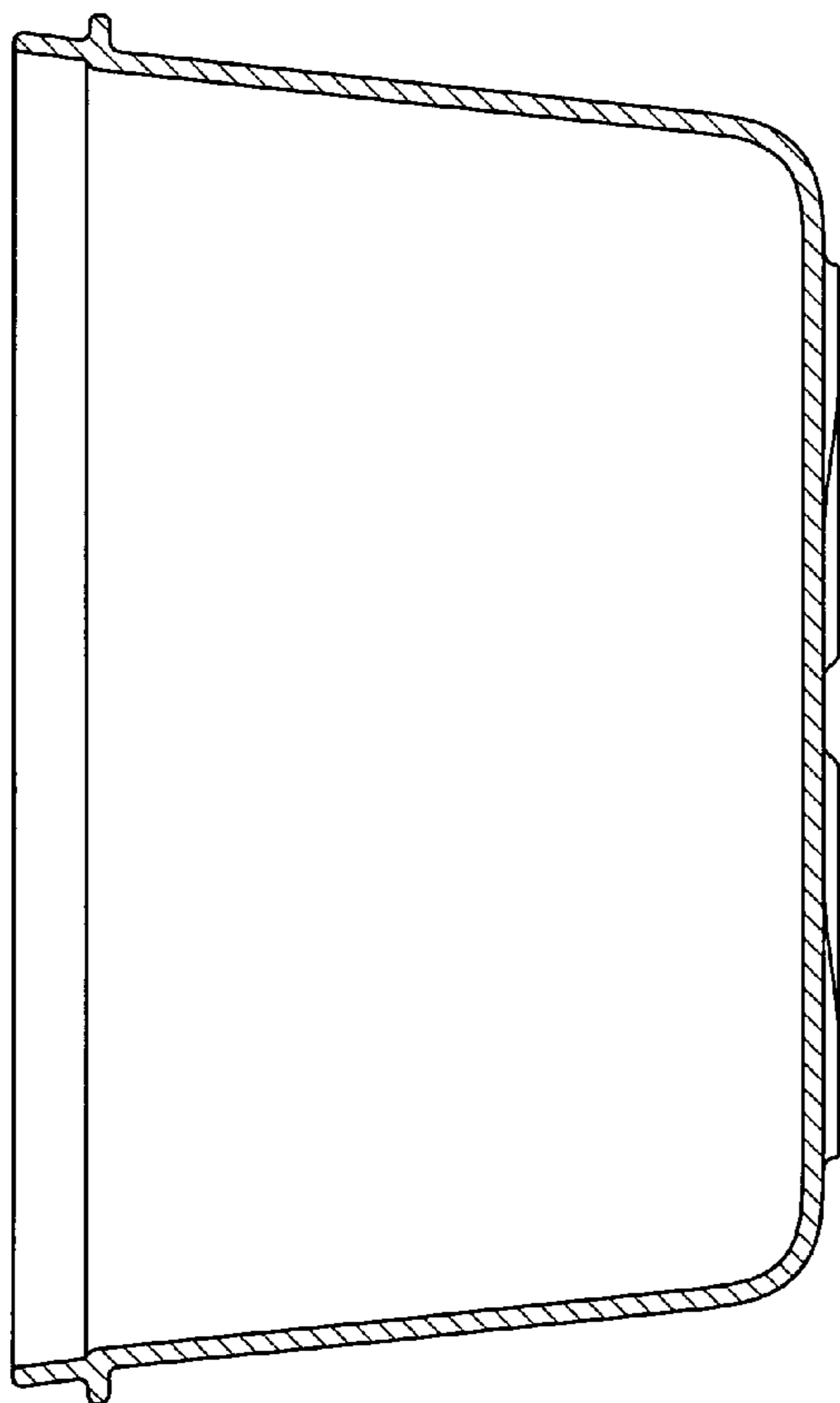


FIG. 15

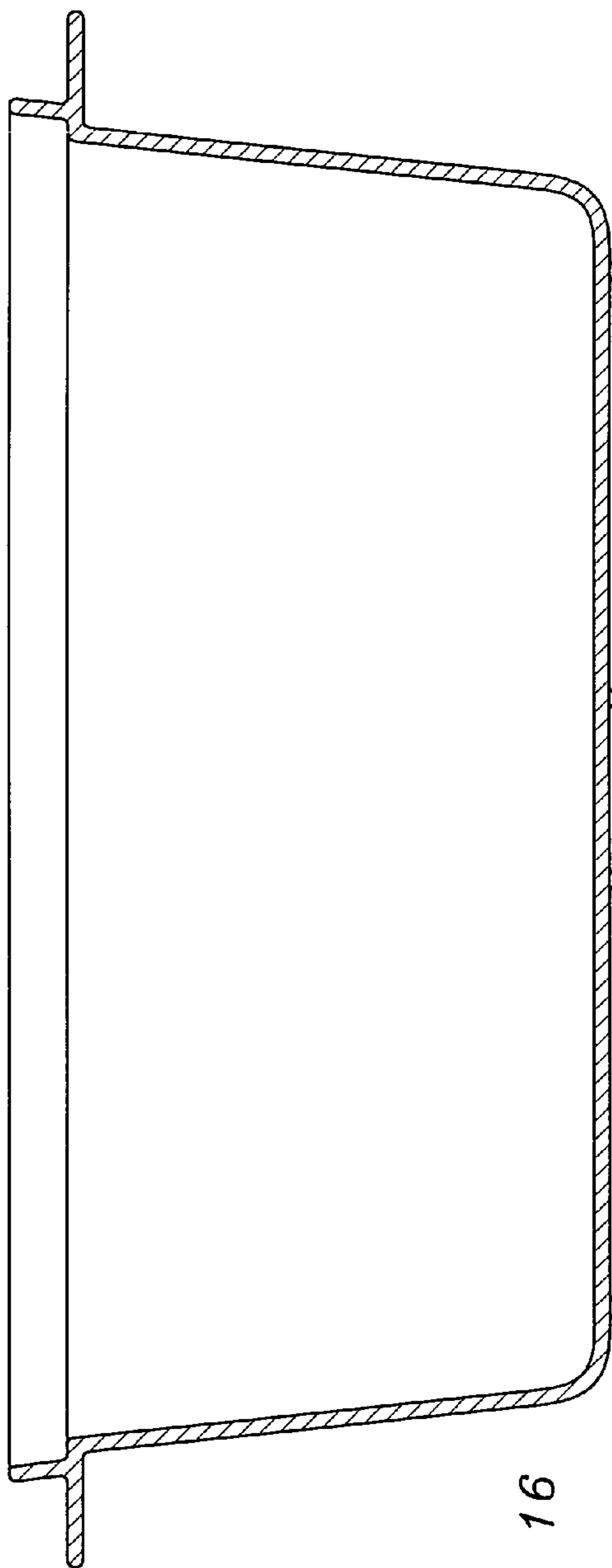


FIG. 16

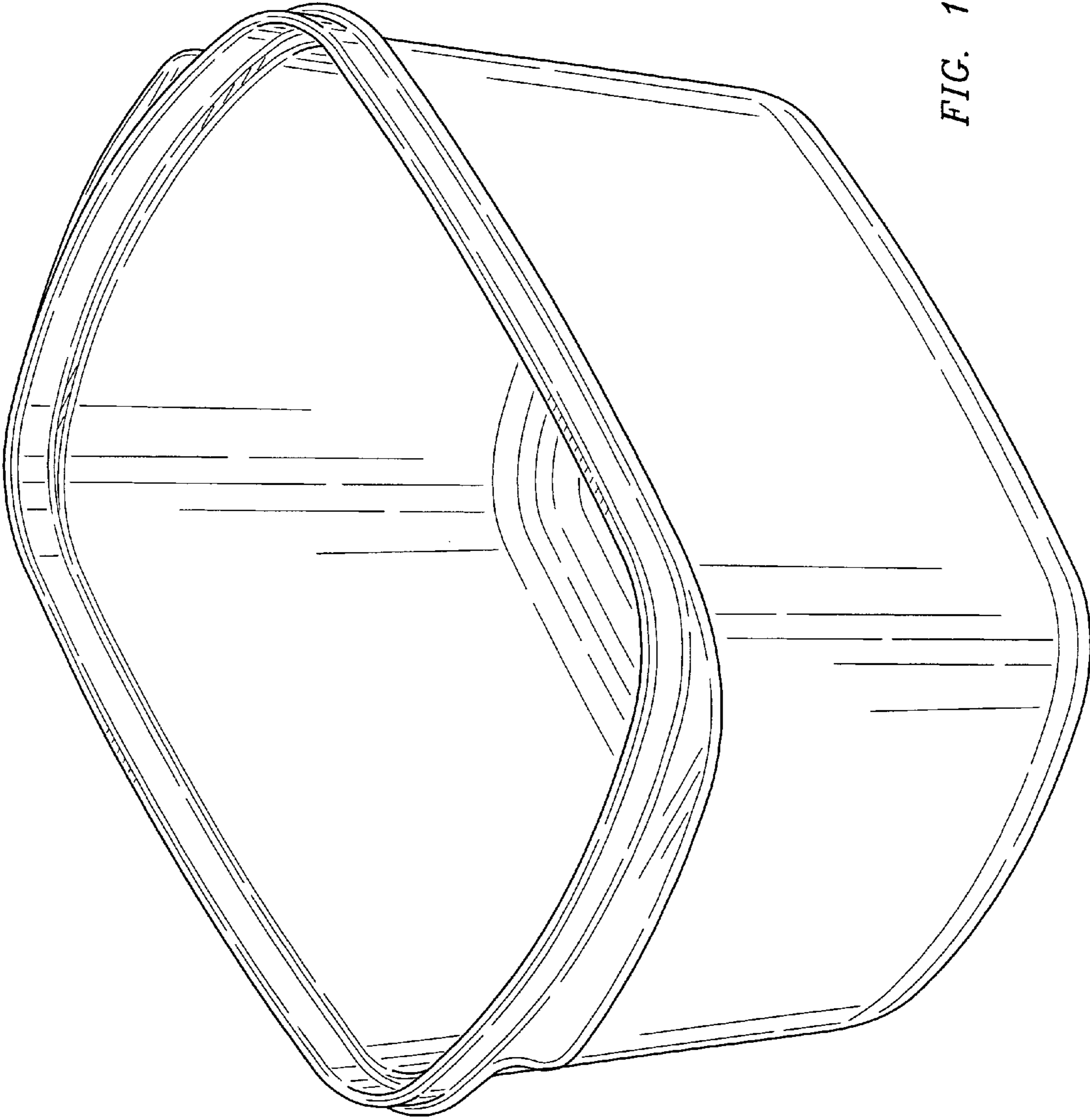


FIG. 17

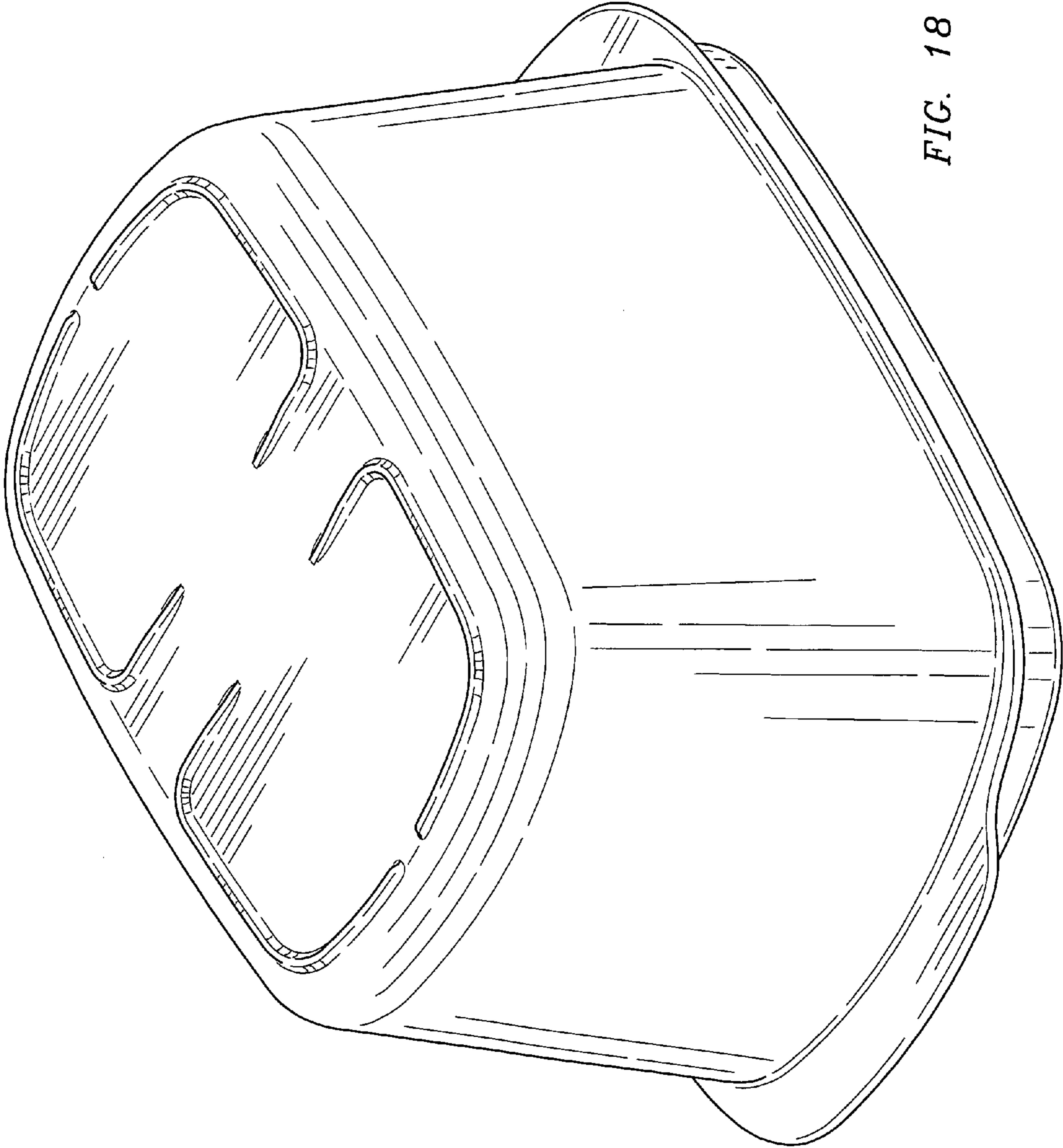
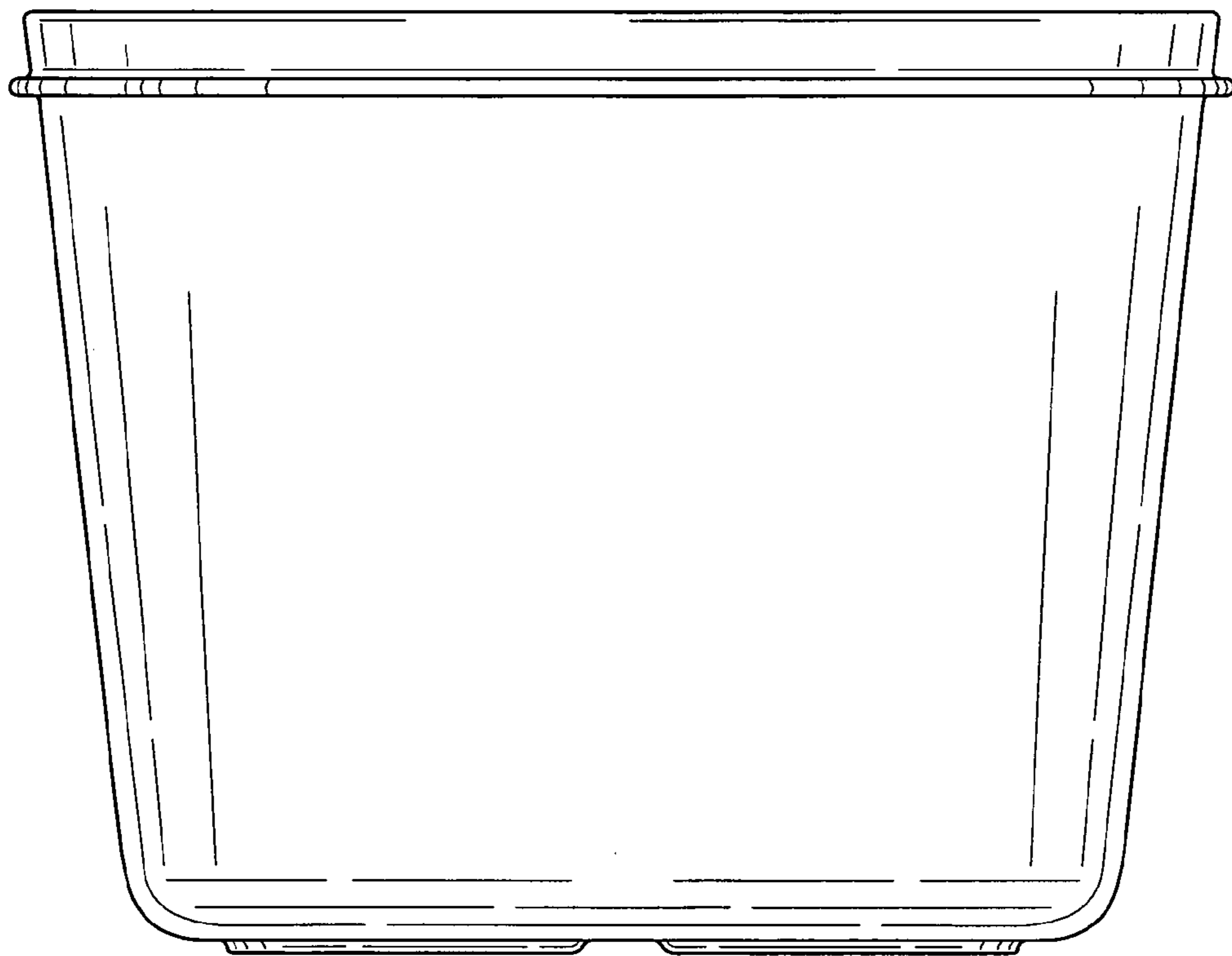


FIG. 18





*FIG. 19*

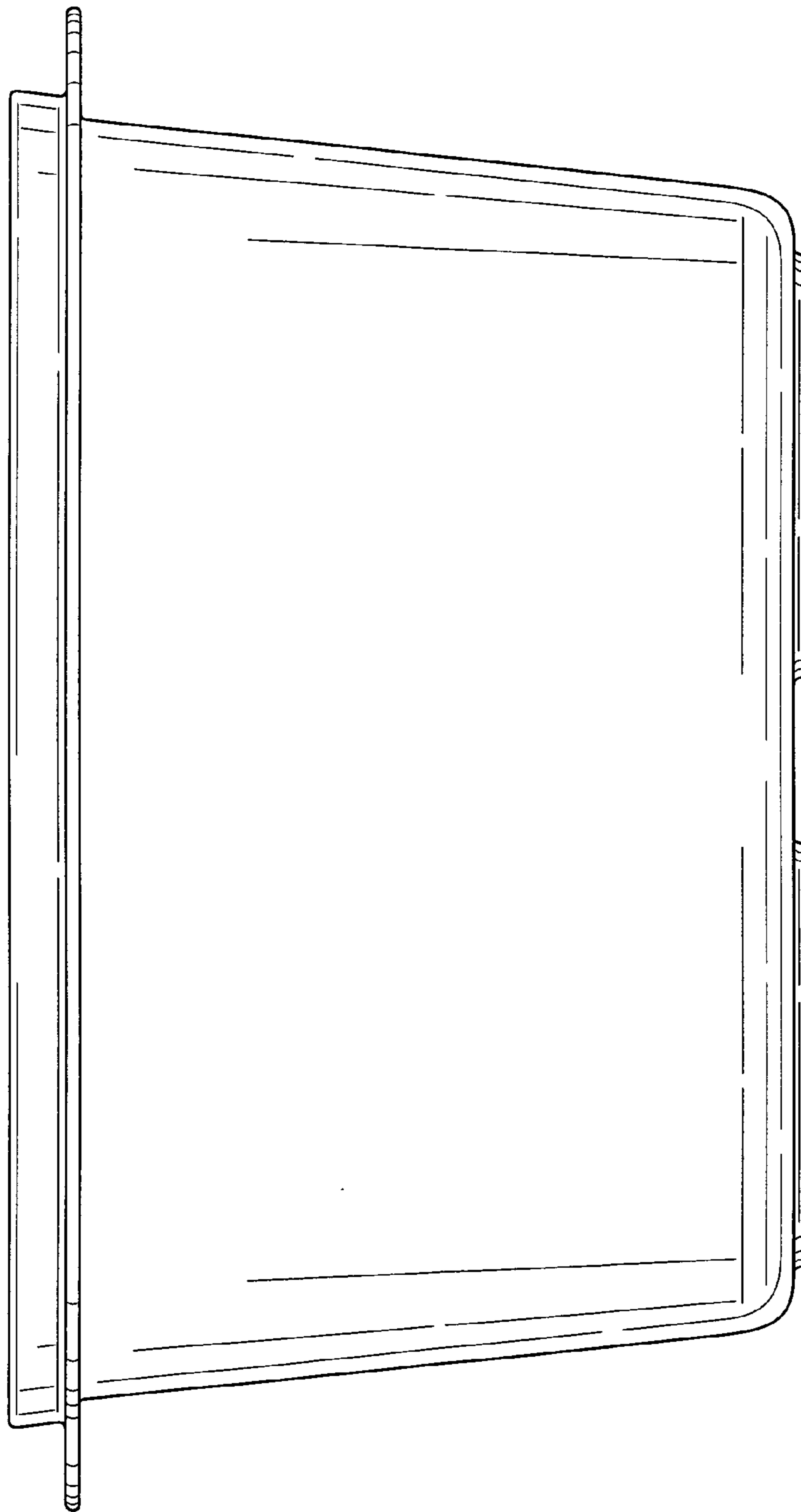


FIG. 20

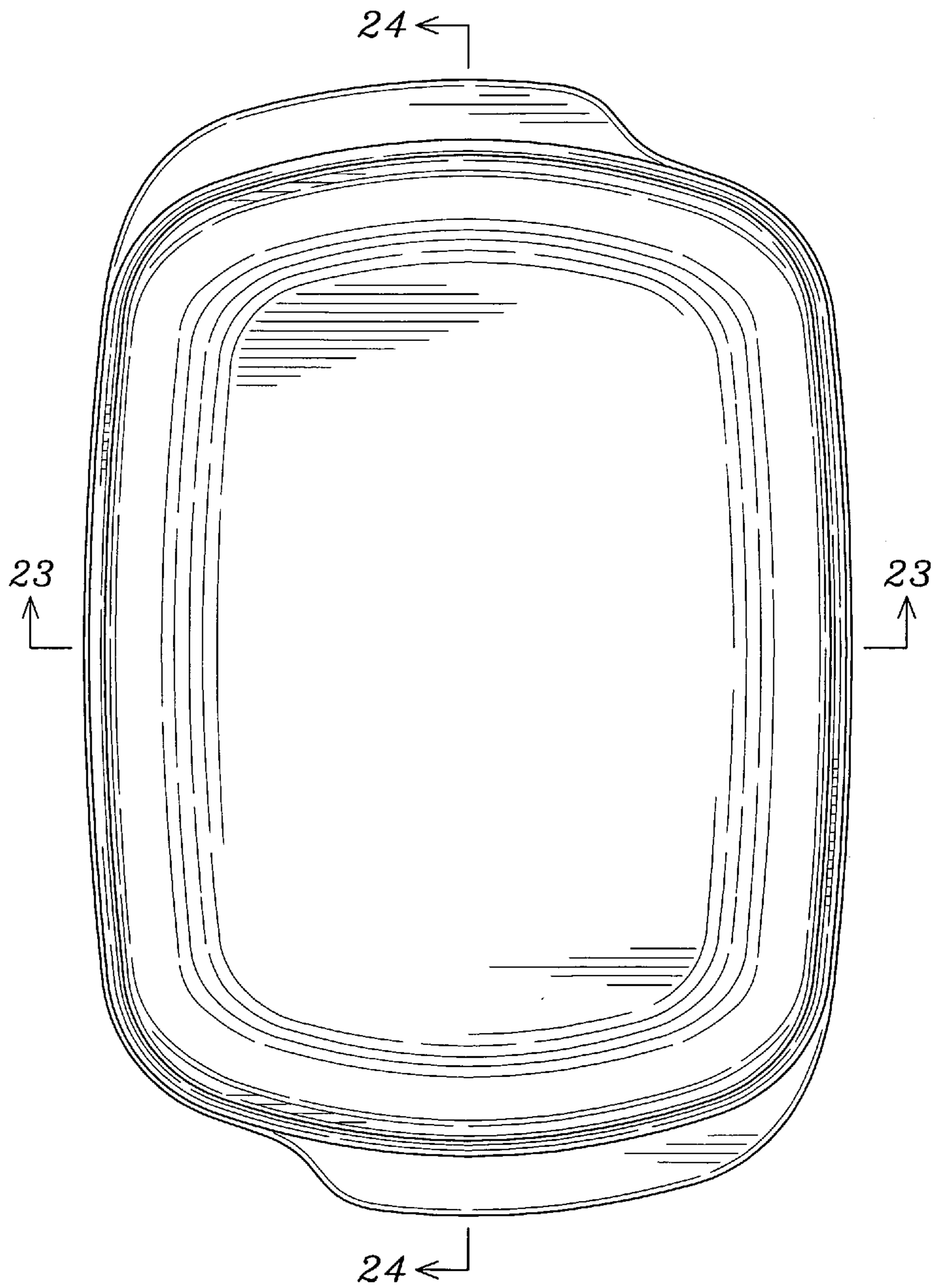


FIG. 21

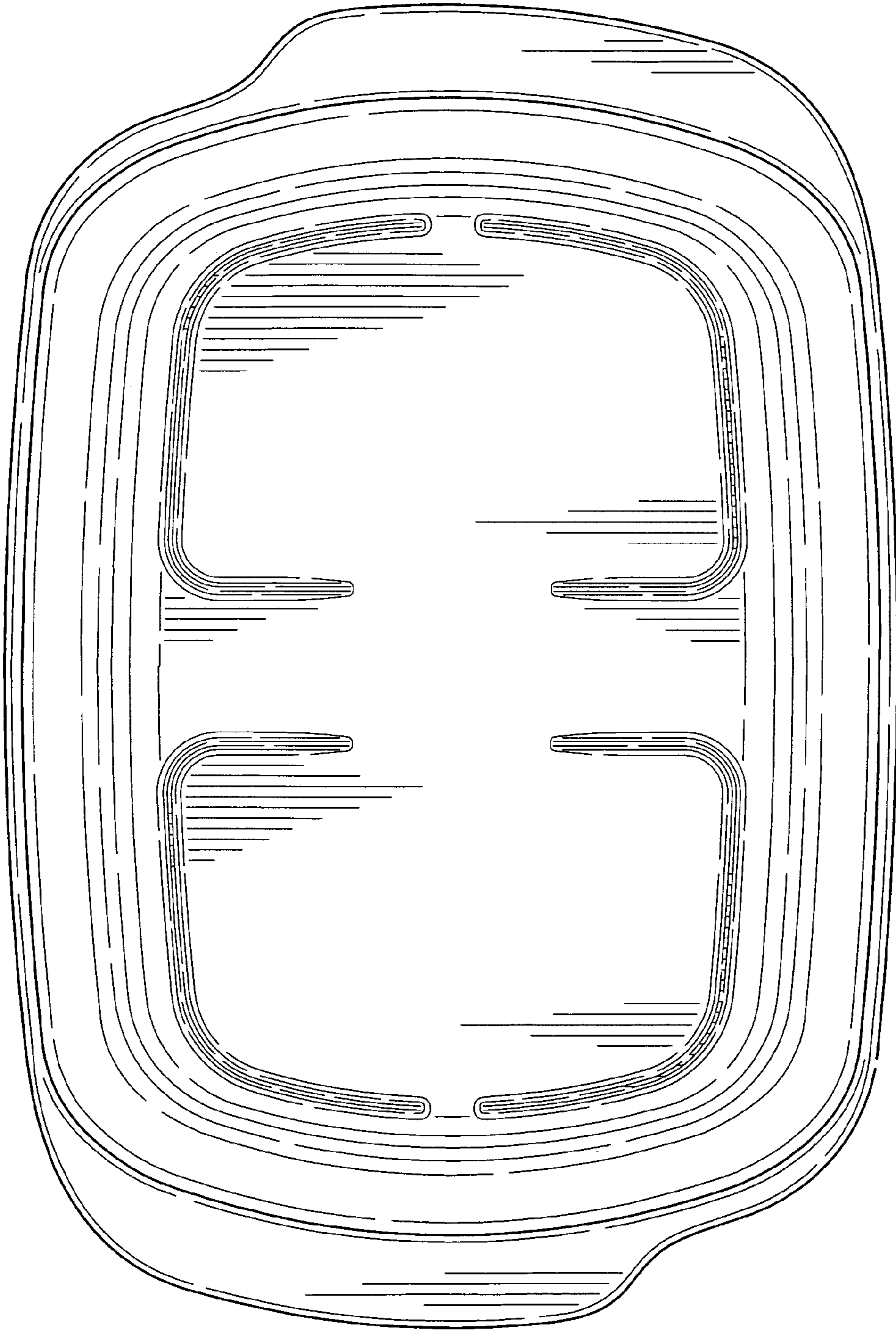
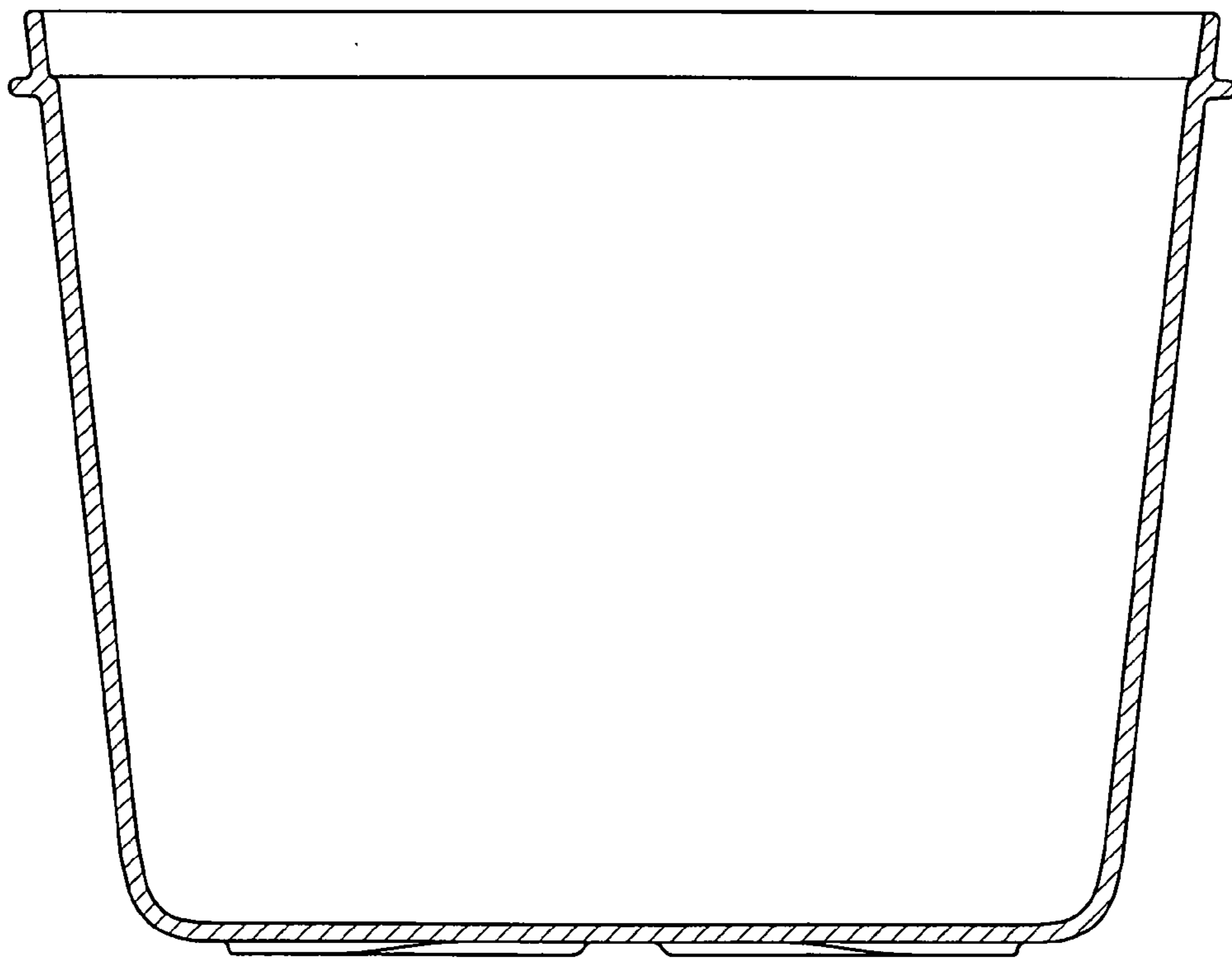


FIG. 22



*FIG. 23*

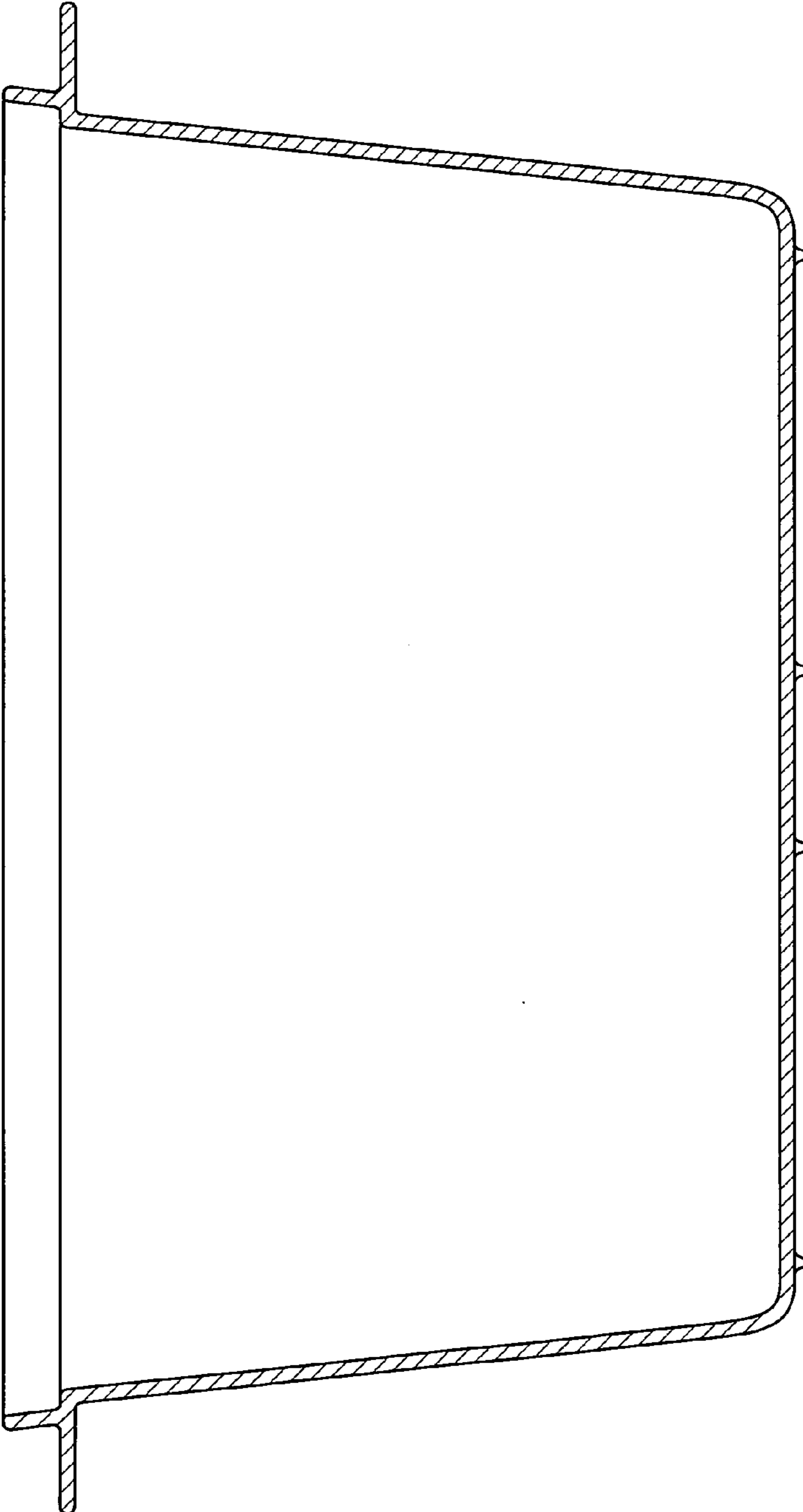


FIG. 24