



US00D700478S

(12) **United States Design Patent**  
**Simmons**

(10) **Patent No.:** **US D700,478 S**  
(45) **Date of Patent:** **\*\* Mar. 4, 2014**

(54) **OLIVE PLATTER**

(71) Applicant: **Clayton Joseph Simmons**, Bristol, CT  
(US)

(72) Inventor: **Clayton Joseph Simmons**, Bristol, CT  
(US)

(\*\*) Term: **14 Years**

(21) Appl. No.: **29/442,391**

(22) Filed: **Feb. 22, 2013**

(51) **LOC (10) Cl.** ..... **07-01**

(52) **U.S. Cl.**  
USPC ..... **D7/553.8; D7/501; D7/505**

(58) **Field of Classification Search**  
USPC ..... **D7/501, 505, 553.6, 550.1, 555, 553.8,**  
**D7/546, 547, 554.1, 597, 590, 600.2,**  
**D7/600.3, 600.4, 706; 220/574, 575,**  
**220/23.86; 206/558, 562, 564**  
See application file for complete search history.

4,775,055 A *	10/1988	Morse	.....	211/78
D304,658 S *	11/1989	Mattei	.....	D7/505
D304,659 S *	11/1989	Asner	.....	D7/505
D316,499 S *	4/1991	Coffey	.....	D7/409
D323,446 S *	1/1992	Morse	.....	D7/600.2
5,441,164 A *	8/1995	Beck et al.	.....	220/575
D378,038 S *	2/1997	Gaines	.....	D7/551.1
5,732,847 A *	3/1998	Caldi	.....	220/575
D393,775 S *	4/1998	Otero	.....	D7/553.6
5,960,982 A *	10/1999	Perlis et al.	.....	220/574
D416,769 S *	11/1999	Morgan	.....	D7/600.2
D486,991 S *	2/2004	Lee	.....	D7/357
D575,986 S *	9/2008	Cetera	.....	D7/501
D576,838 S *	9/2008	Wong	.....	D7/501
D587,529 S *	3/2009	Pratt	.....	D7/555

\* cited by examiner

*Primary Examiner* — Marianne Pandozzi

(74) *Attorney, Agent, or Firm* — Ted Paulding

(57) **CLAIM**

I claim the design in an olive platter, as shown and described above.

**DESCRIPTION**

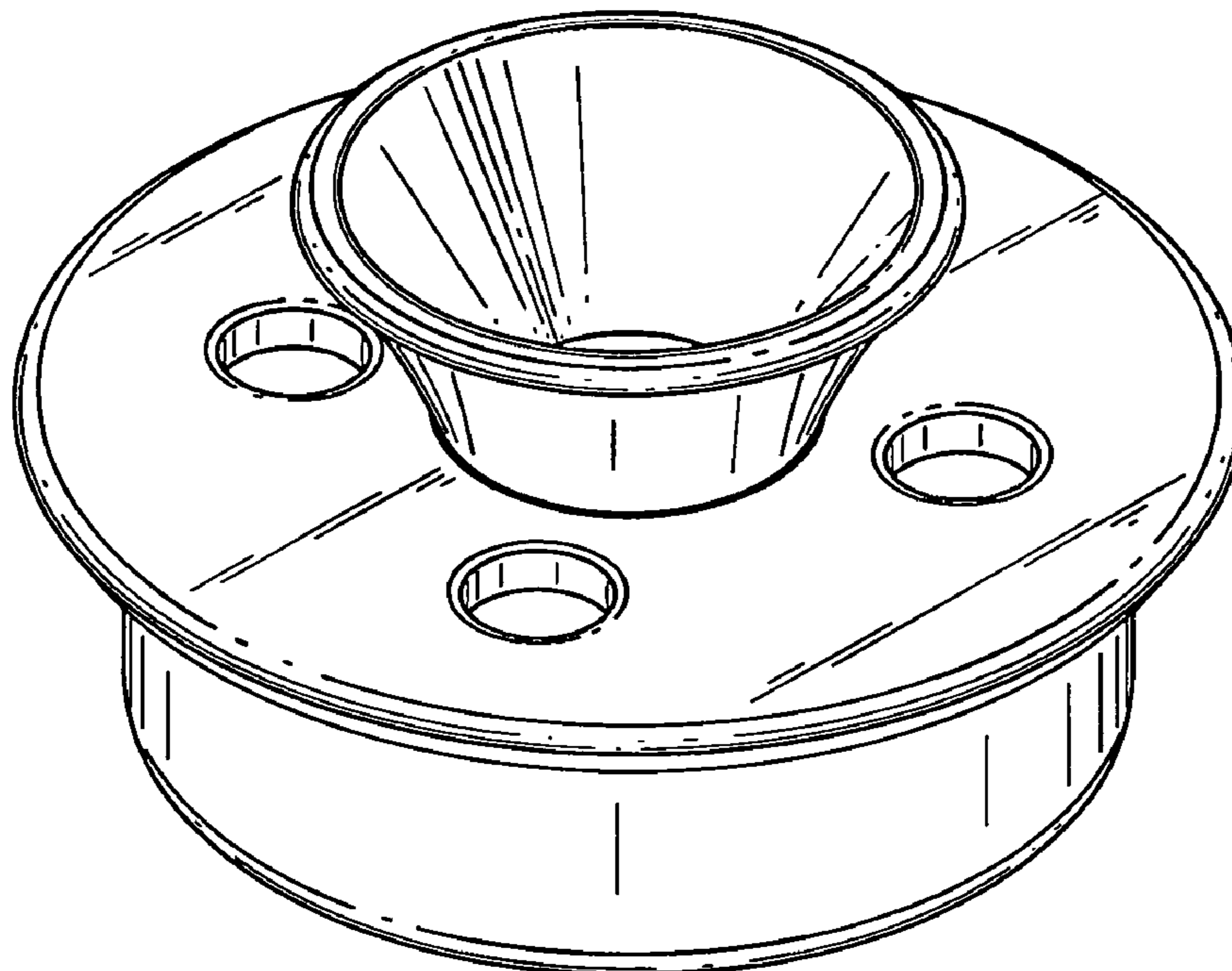
FIG. 1 is a front perspective view of the design for an olive platter;  
FIG. 2 is a left hand side view of the olive platter; the right  
hand side view being a mirror image thereof,  
FIG. 3 is a top view of the olive platter; and,  
FIG. 4 is a bottom view of the olive platter.

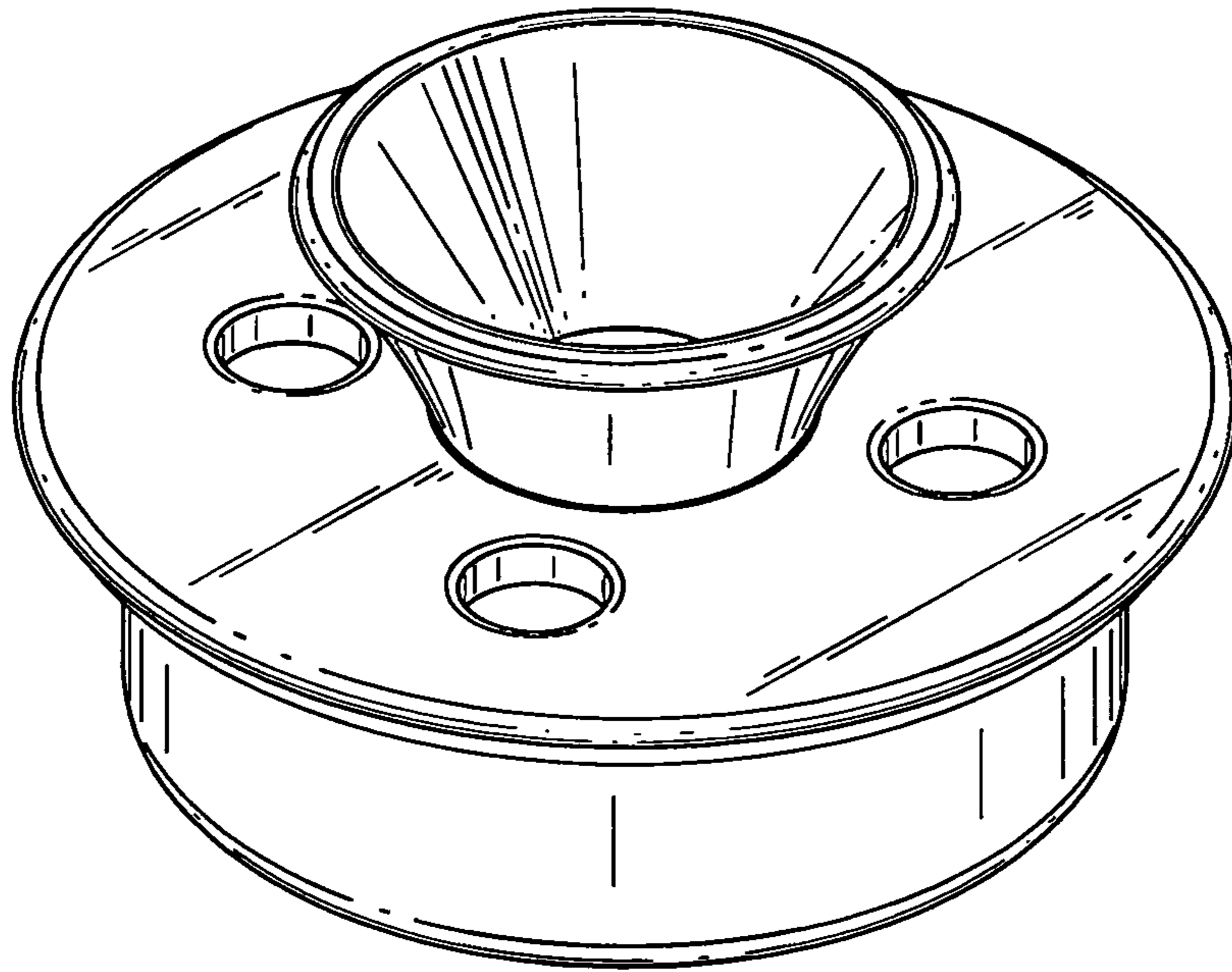
**1 Claim, 2 Drawing Sheets**

(56) **References Cited**

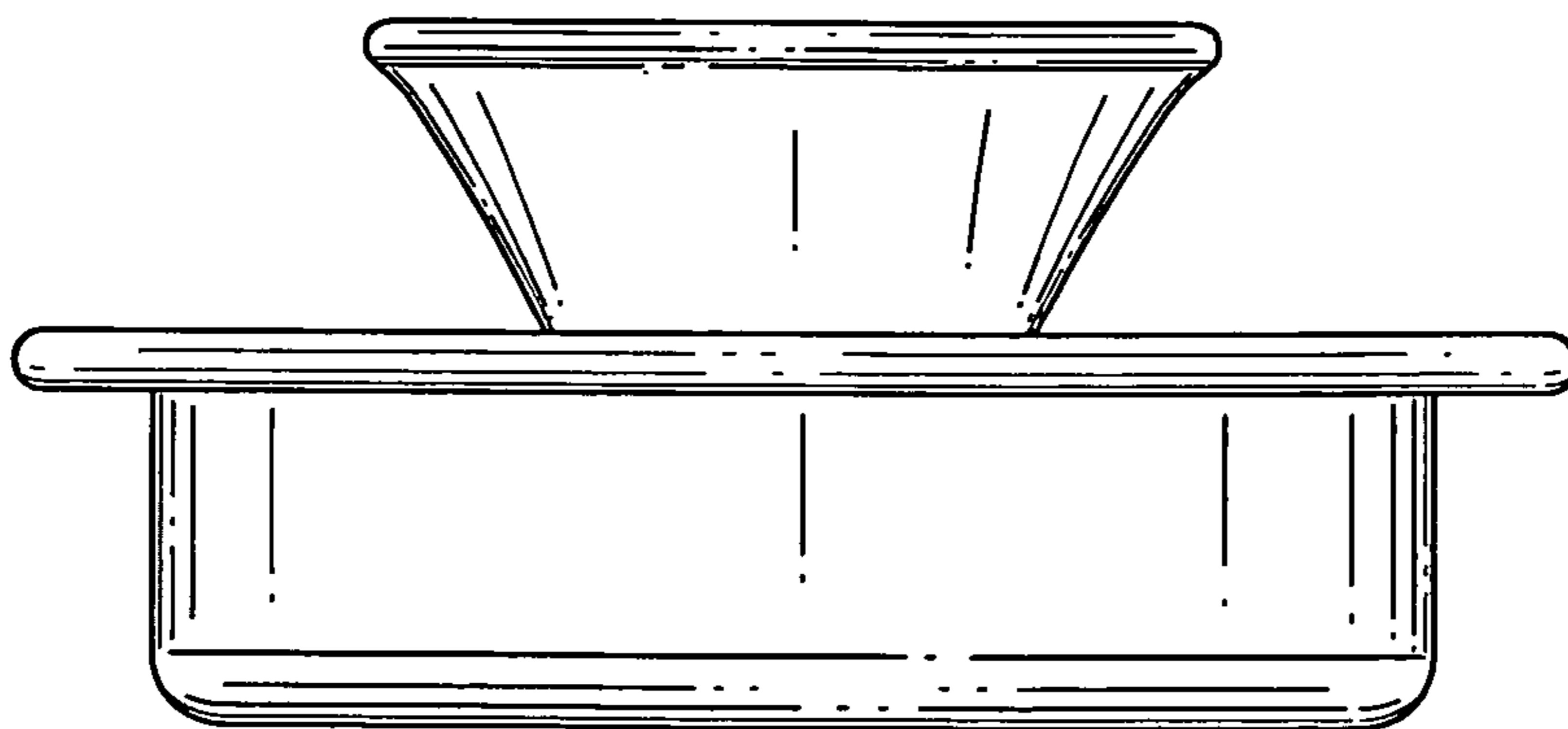
**U.S. PATENT DOCUMENTS**

D23,901 S *	12/1894	Howe	.....	D99/25
855,565 A *	6/1907	Greenhouse	.....	206/562
D130,080 S *	10/1941	Wynkoop	.....	D7/553.6
D188,286 S *	6/1960	Hassey	.....	D7/707
D232,793 S *	9/1974	Benett	.....	D6/469
3,964,629 A *	6/1976	McCabe	.....	220/23.86
D292,161 S *	10/1987	Spolter et al.	.....	D7/553.6





*FIG. 1*



*FIG. 2*

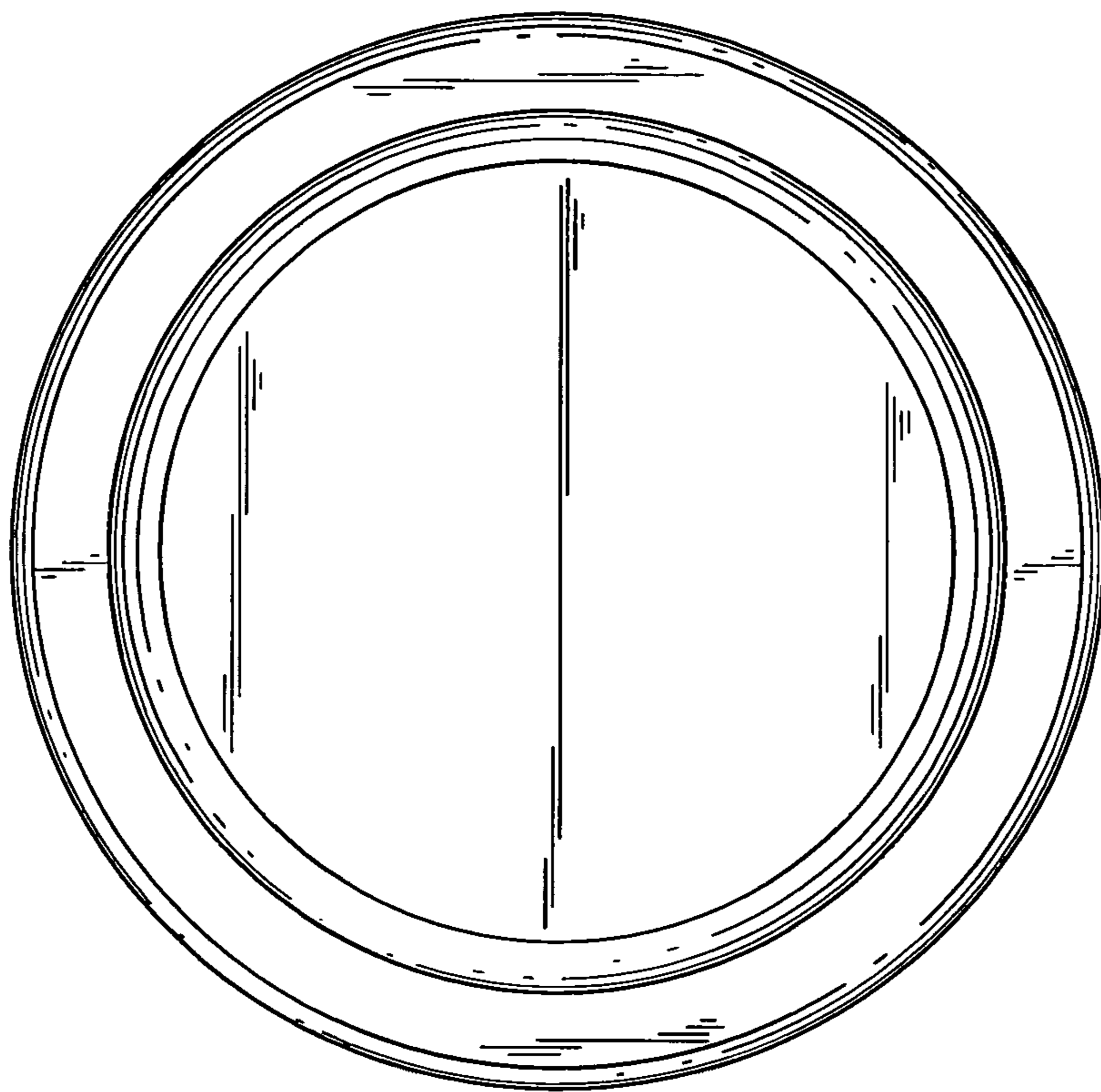


FIG. 4

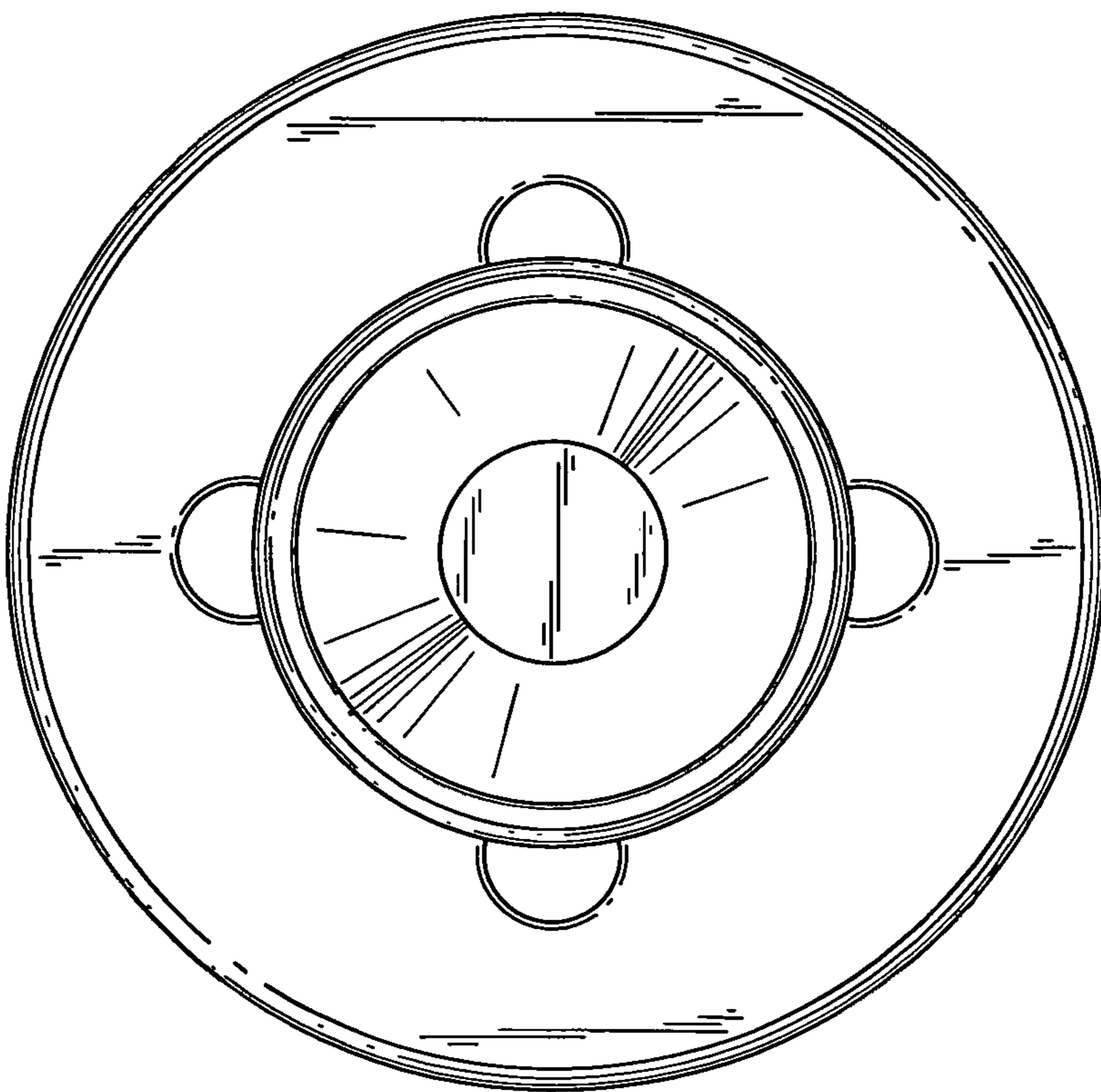


FIG. 3