



US00D700477S

(12) **United States Design Patent**
Kim

(10) **Patent No.:** **US D700,477 S**
(45) **Date of Patent:** **** Mar. 4, 2014**

(54) **JUICE EXTRACTOR**

(71) Applicant: **Young Ki Kim**, Gimhae-si (KR)

(72) Inventor: **Young Ki Kim**, Gimhae-si (KR)

(**) Term: **14 Years**

(21) Appl. No.: **29/446,320**

(22) Filed: **Feb. 22, 2013**

(30) **Foreign Application Priority Data**

Aug. 24, 2012 (KR) 30-2012-0040574

(51) **LOC (10) CL.** **31-00**

(52) **U.S. CL.**
USPC **D7/412**

(58) **Field of Classification Search**
USPC D7/665-667, 412, 376-386; 241/92,
241/101.1-101.7, 285.1-285.3;
99/501-513, 495, 499, 348, 357, 349,
99/369, 370; 366/98, 142, 197-211,
366/241-254, 279-292, 341-347; 100/213,
100/218, 283, 288
See application file for complete search history.

(56) **References Cited**

U.S. PATENT DOCUMENTS

2,436,064	A	2/1948	Crosby	
D153,645	S *	5/1949	Stiles	D7/665
D159,469	S *	8/1950	Bennett	D7/665
5,396,836	A	3/1995	Kim	99/510
6,861,004	B2	3/2005	Benenson, Jr. et al.	210/785
D555,434	S *	11/2007	Cohen et al.	D7/665
D565,363	S *	4/2008	Fouquet	D7/666
D594,717	S *	6/2009	Wu Chang	D7/665

8,091,473	B2	1/2012	Kim	95/510
D665,632	S *	8/2012	Kim et al.	D7/665
2011/0083566	A1 *	4/2011	Backus	99/511

FOREIGN PATENT DOCUMENTS

KR	10-0622528	B1	4/2006
KR	20-0416641	Y1	5/2006
KR	10-2006-0101848	A	9/2006
KR	10-0755440	B1	9/2007
KR	10-2008-0090220	A	10/2008

OTHER PUBLICATIONS

“Fagor Unveils New Slow Juicer, A Revolutionary Way to Stay Healthy,” News Release—Fagor, 2 pages.

* cited by examiner

Primary Examiner — Terry Wallace

(74) *Attorney, Agent, or Firm* — Sunstein Kann Murphy & Timbers LLP

(57) **CLAIM**

The ornamental design of a juice extractor, as shown and described herein.

DESCRIPTION

FIG. 1 is a front perspective view of the juice extractor showing a new design.

FIG. 2 is a left-side view of the juice extractor of FIG. 1.

FIG. 3 is a right-side view of the juice extractor of FIG. 1.

FIG. 4 is a rear view of the juice extractor of FIG. 1.

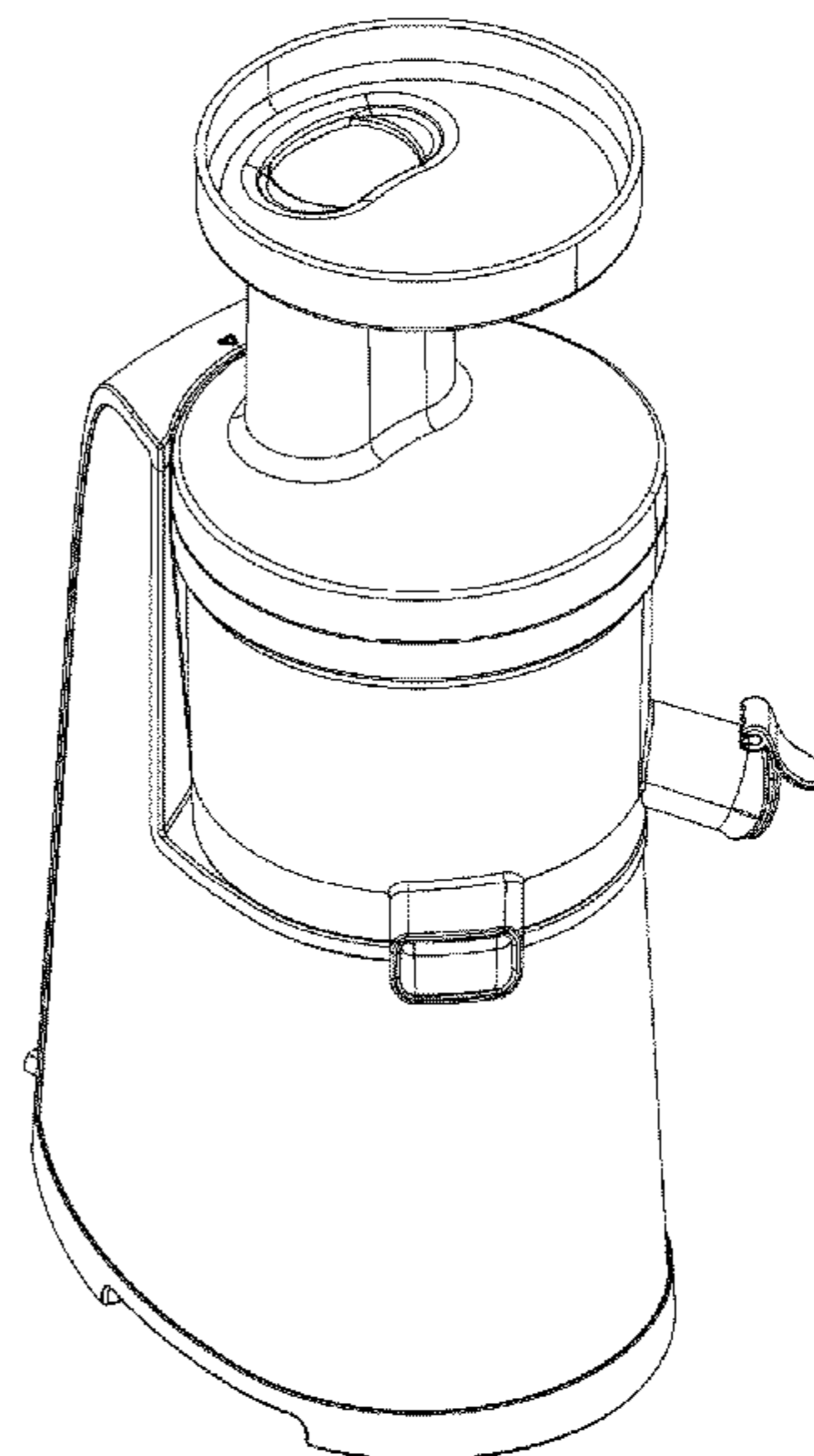
FIG. 5 is a front view of the juice extractor of FIG. 1.

FIG. 6 is a top view of the juice extractor of FIG. 1.

FIG. 7 is a bottom view of the juice extractor of FIG. 1; and,

FIG. 8 is a rear perspective view of the juice extractor of FIG. 1.

1 Claim, 8 Drawing Sheets



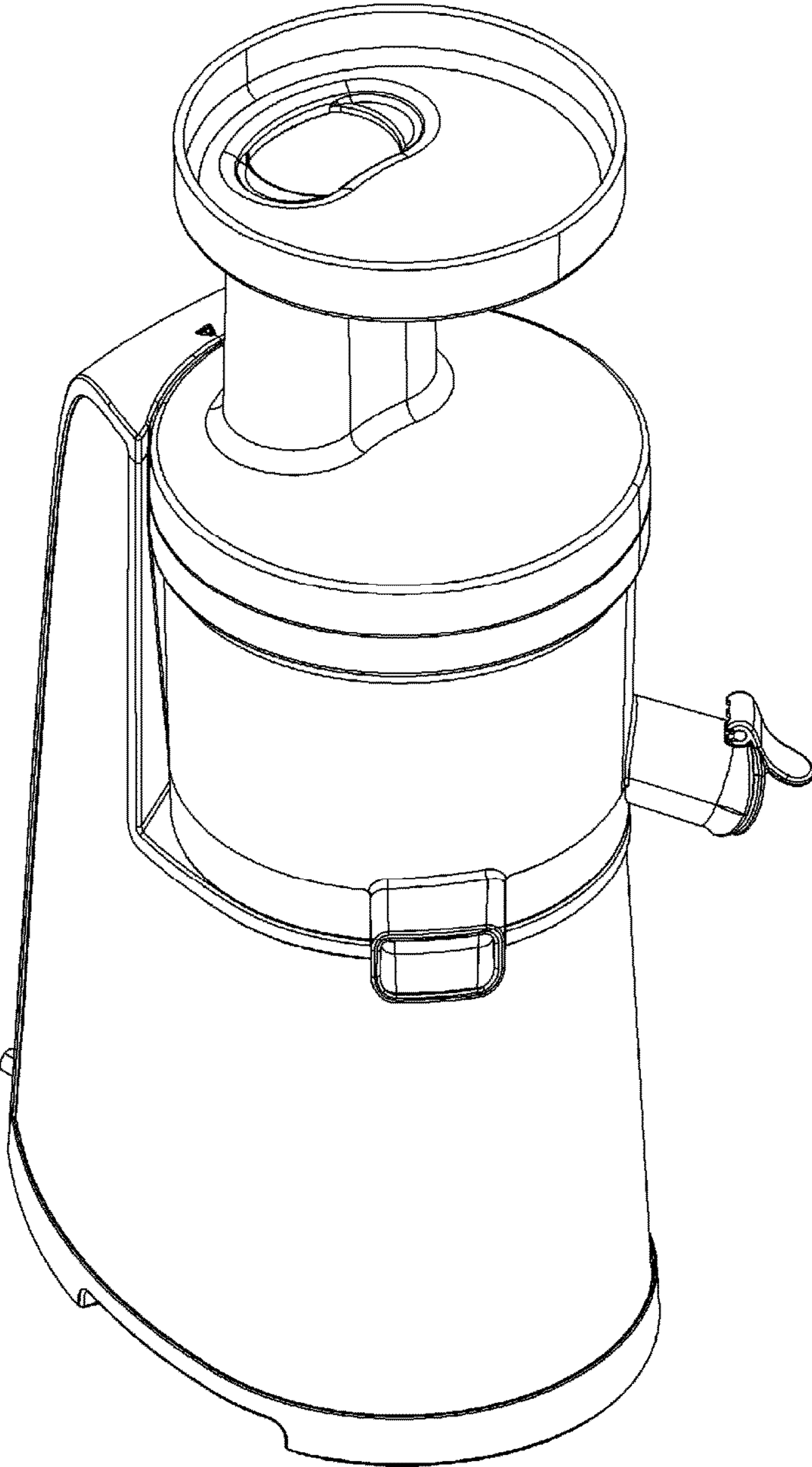


FIG. 1

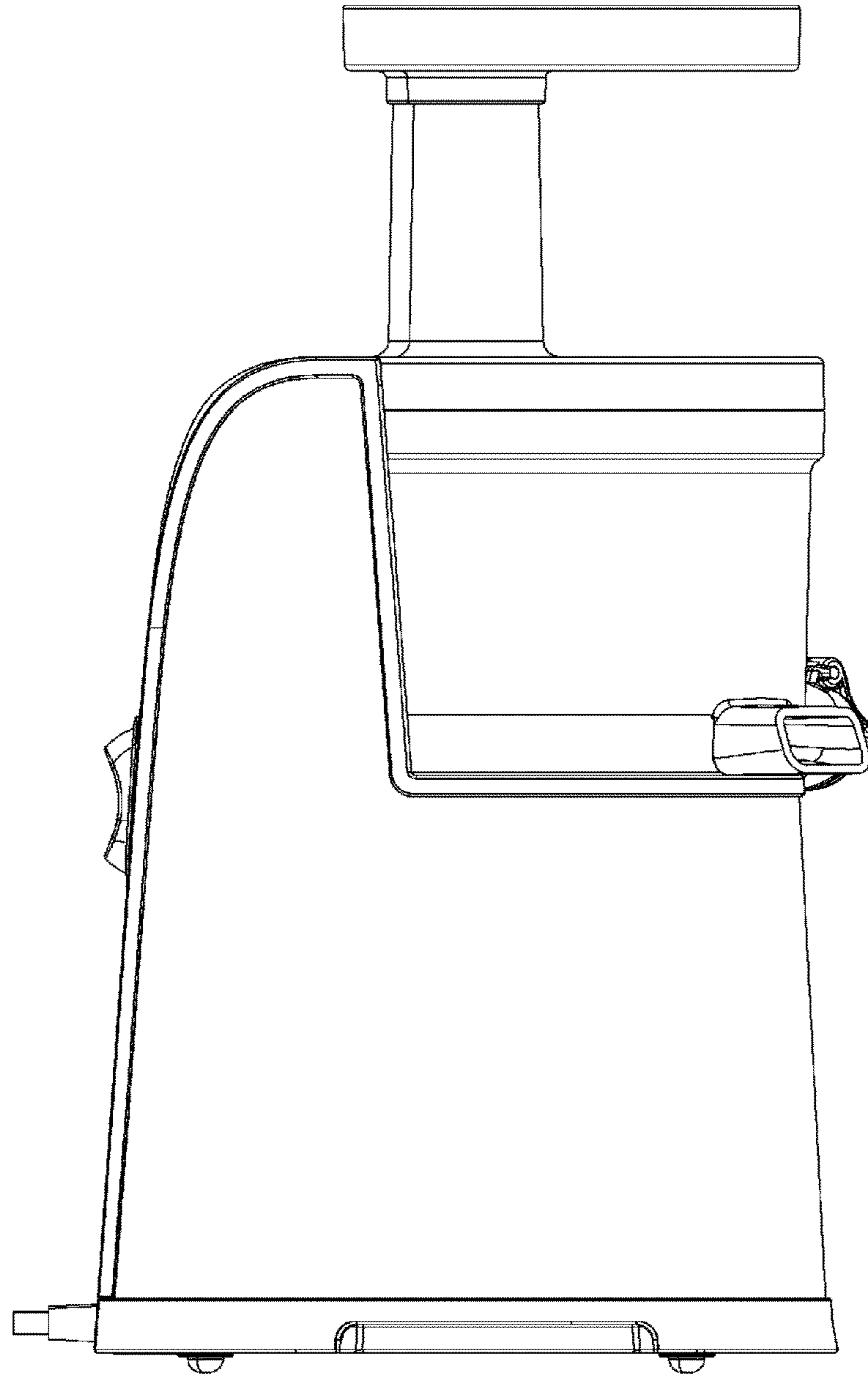


FIG. 2

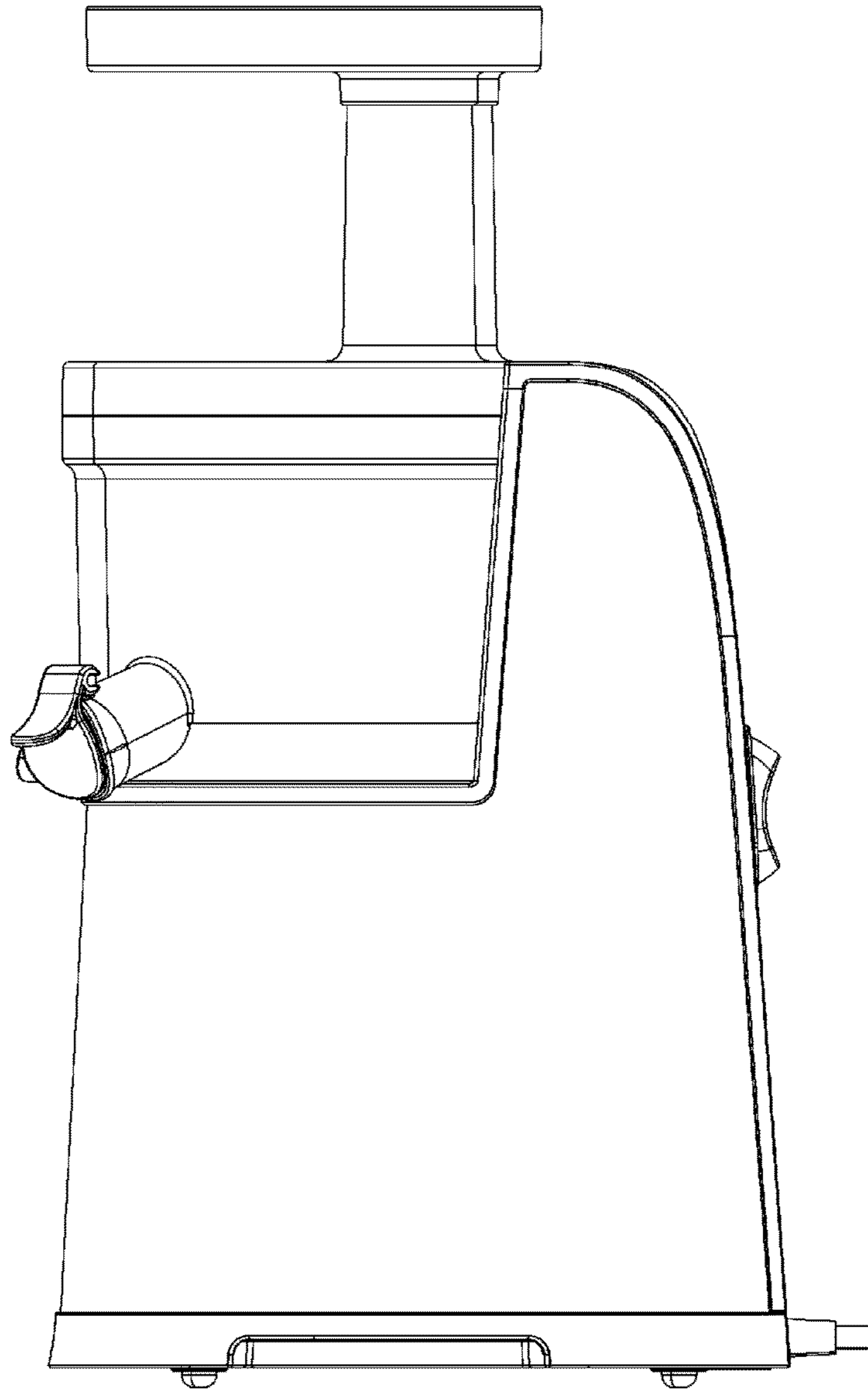


FIG. 3

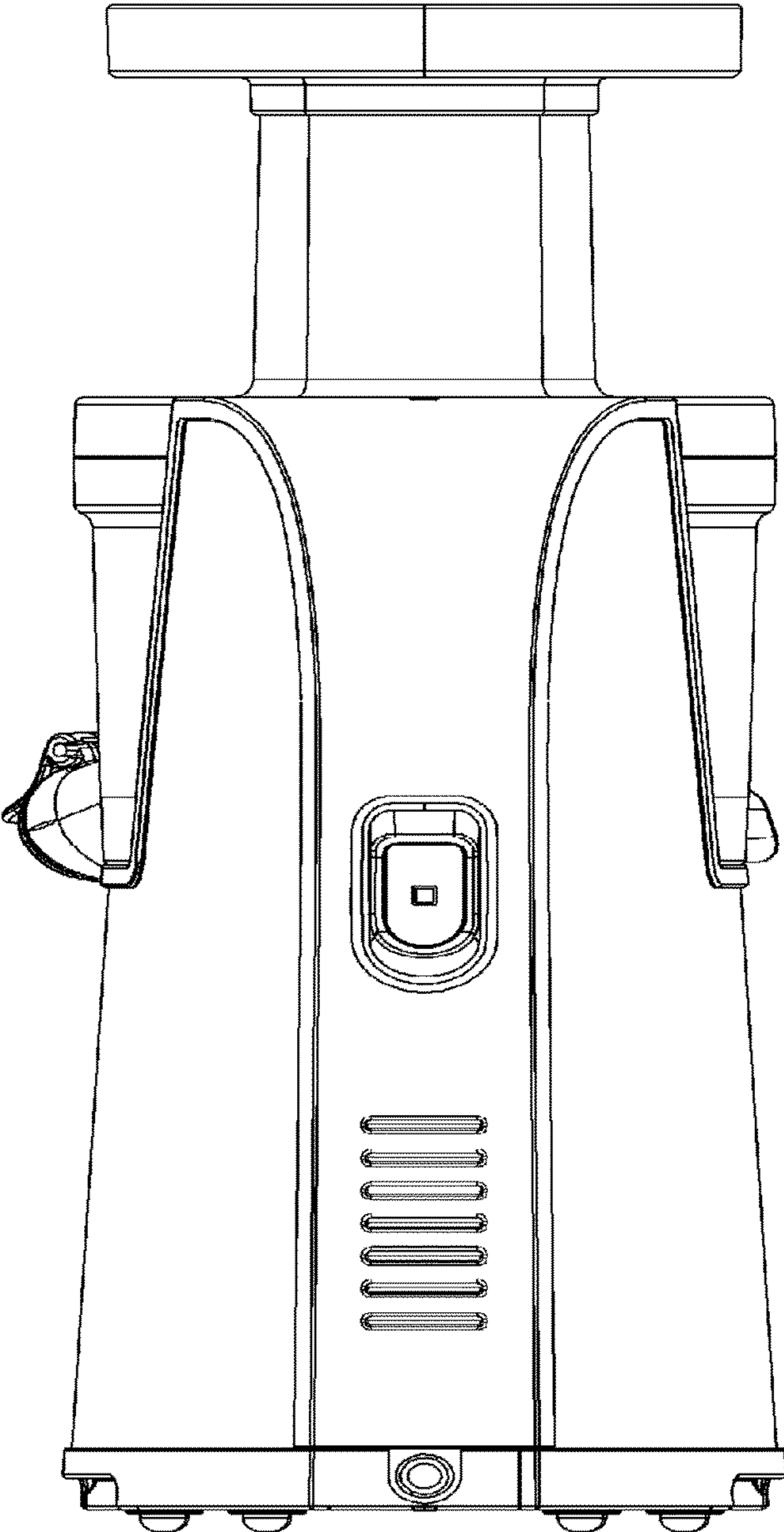


FIG. 4

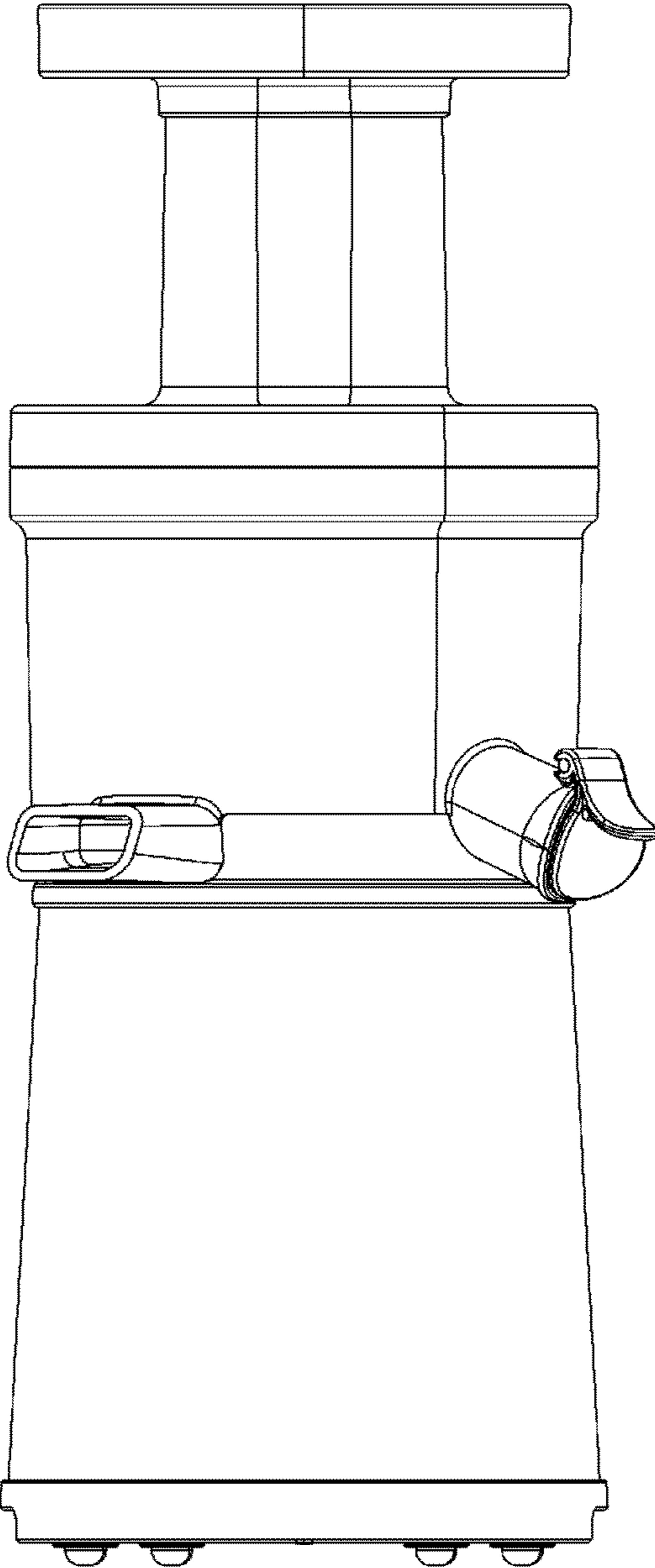


FIG. 5

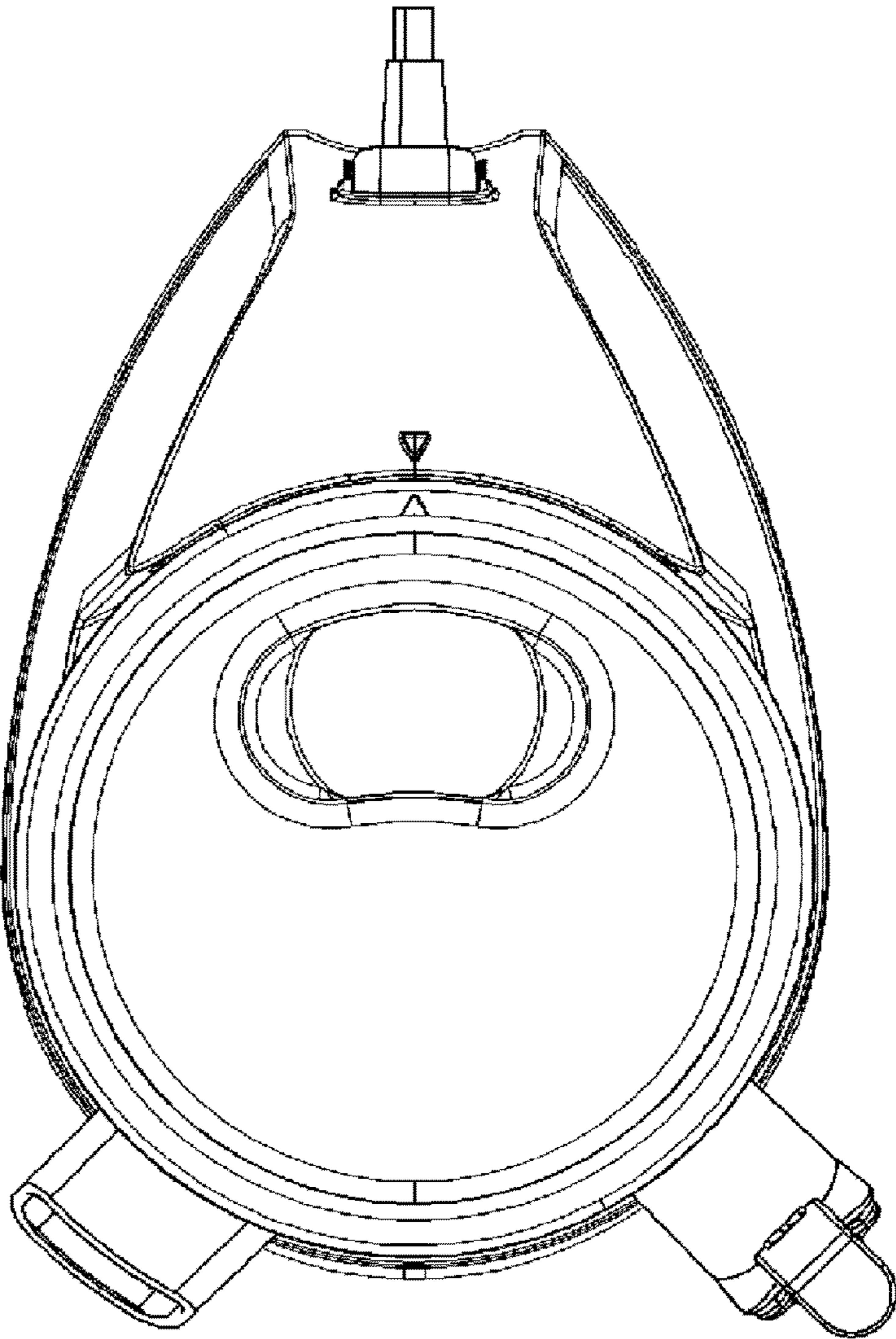


FIG. 6

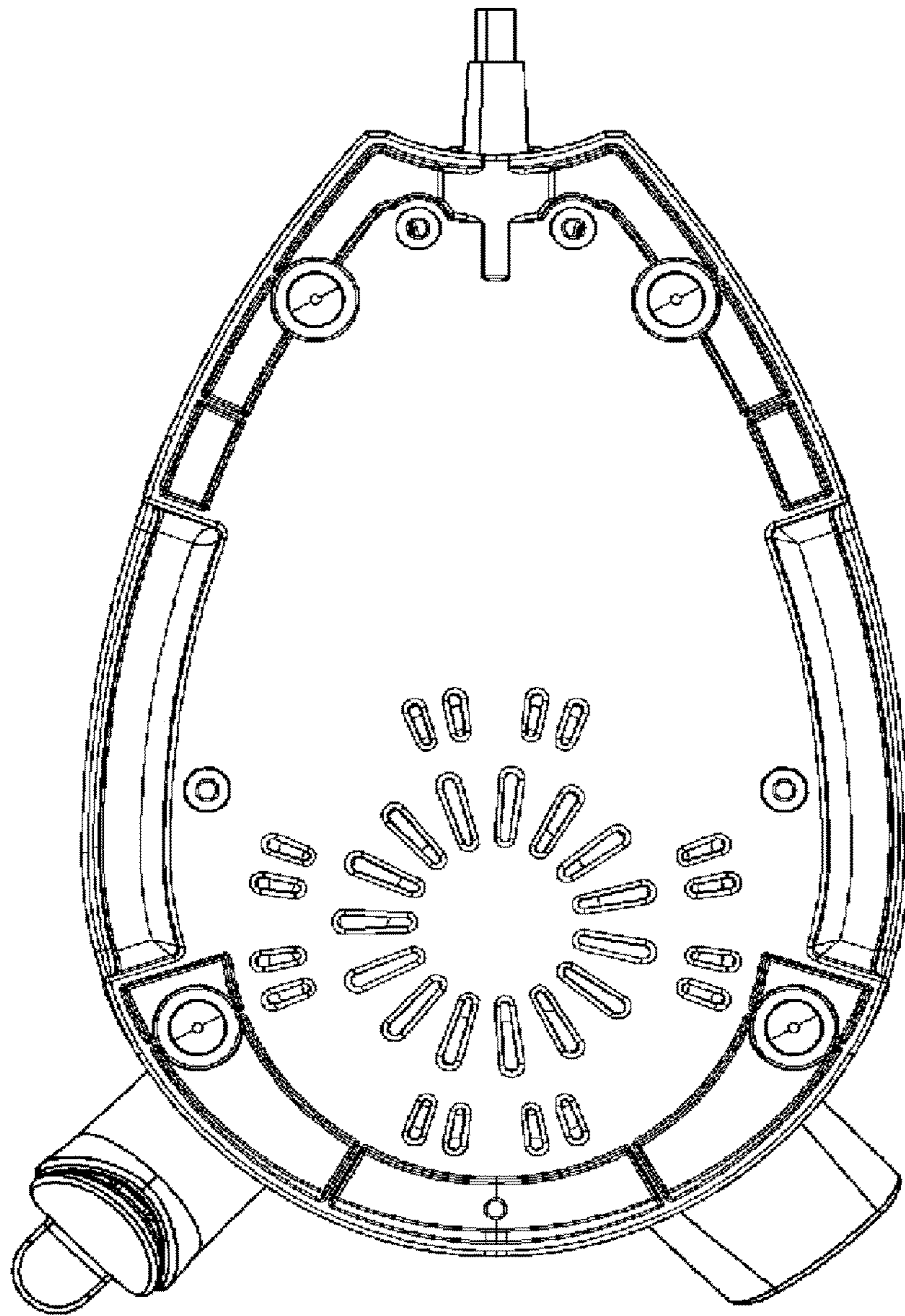


FIG. 7

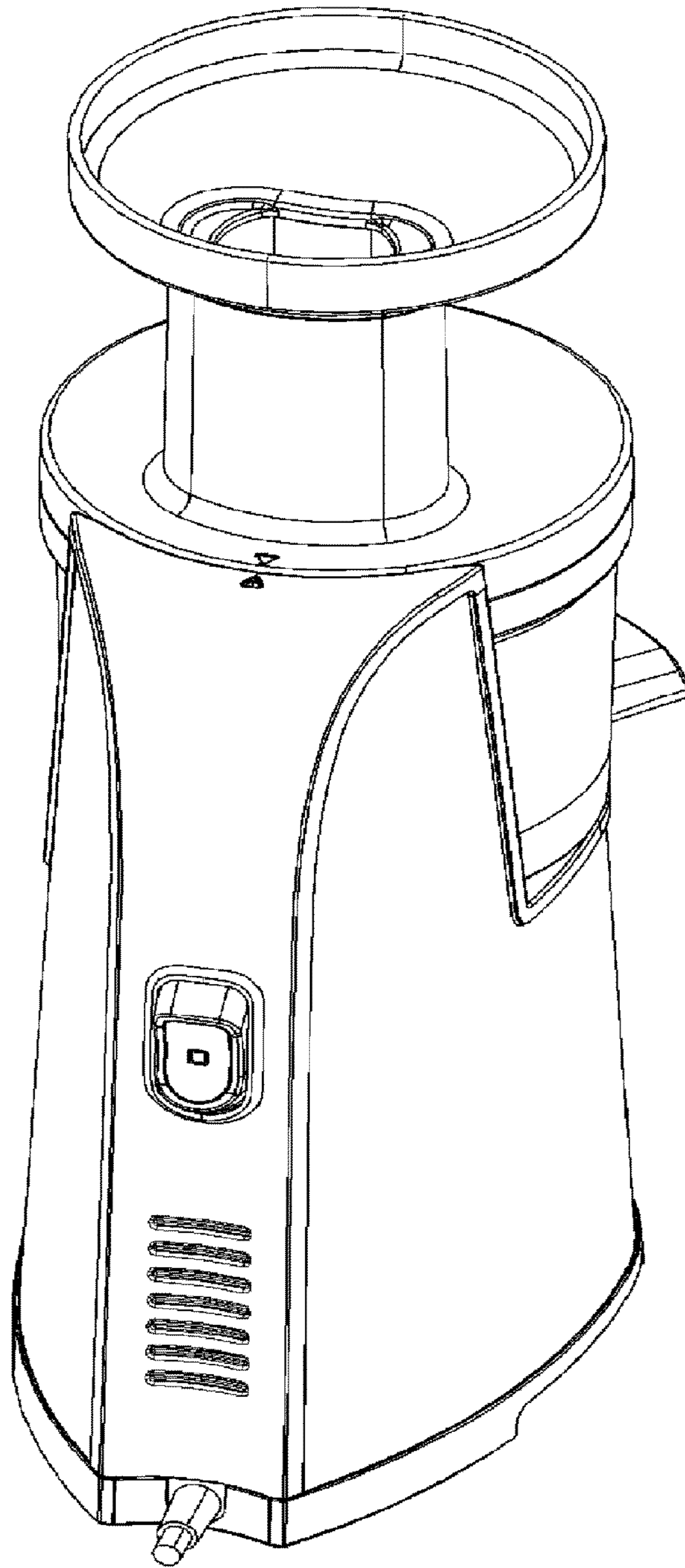


FIG. 8