



US00D700475S

(12) **United States Design Patent**
Avigdor et al.

(10) **Patent No.:** **US D700,475 S**
(45) **Date of Patent:** **** Mar. 4, 2014**

(54) **DOMESTIC SODA-WATER PREPARING
DEVICE CAPSULE**

(75) Inventors: **Amit Avigdor**, Moshav Nizaney Oz (IL);
Hagai Harduff, Binyamina (IL); **Doron
Krom**, Zikhron Yaacov (IL); **Eyal
Fendell**, Tel Aviv (IL)

(73) Assignee: **Sodastream Industries Ltd**, Air Port
City (IL)

(**) Term: **14 Years**

(21) Appl. No.: **29/428,459**

(22) Filed: **Jul. 31, 2012**

(30) **Foreign Application Priority Data**

Feb. 1, 2012 (EM) 001984535-0001

(51) **LOC (10) Cl.** **07-99**

(52) **U.S. Cl.**
USPC **D7/400**

(58) **Field of Classification Search**

USPC D7/400, 401, 399, 667; 210/238, 455,
210/479; 99/295, 306; 426/115

See application file for complete search history.

(56) **References Cited**

U.S. PATENT DOCUMENTS

3,795,182 A * 3/1974 Van Damme 99/306
D235,183 S * 5/1975 Braun D7/667
D261,850 S * 11/1981 Carfagno D7/400
D289,726 S * 5/1987 Greutert D7/400
D332,891 S * 2/1993 Cumberland D7/619.1
D564,832 S * 3/2008 Bodum D7/400
D664,003 S * 7/2012 Nagoya D7/512

* cited by examiner

Primary Examiner — Marianne Pandozzi

(74) *Attorney, Agent, or Firm* — Pearl Cohen Zedek Latzer
Baratz LLP

(57) **CLAIM**

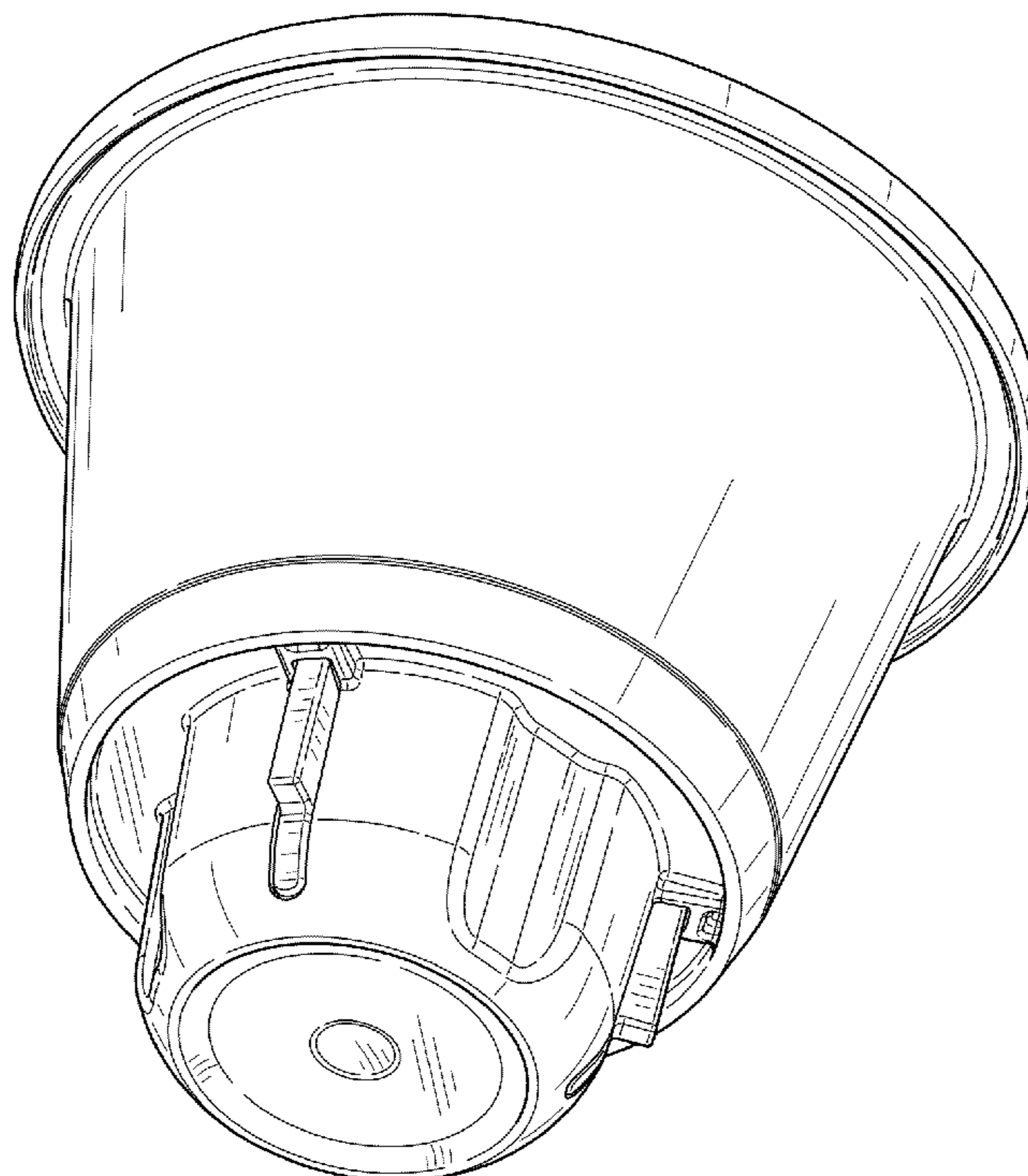
The ornamental design for a domestic soda-water preparing
device capsule, as shown and described.

DESCRIPTION

FIG. 1 shows a top, front, right side perspective view of the
domestic soda-water preparing device capsule;
FIG. 2 shows a back elevational view thereof;
FIG. 3 shows a front elevational view thereof;
FIG. 4 shows a left side elevational view thereof;
FIG. 5 shows a right side elevational view thereof;
FIG. 6 shows a top plan view thereof; and,
FIG. 7 shows a bottom plan view thereof; and,
FIG. 8 shows a bottom, front, right side perspective view
thereof.

The broken line portions are shown for environmental pur-
poses and form no part of the claimed design.

1 Claim, 5 Drawing Sheets



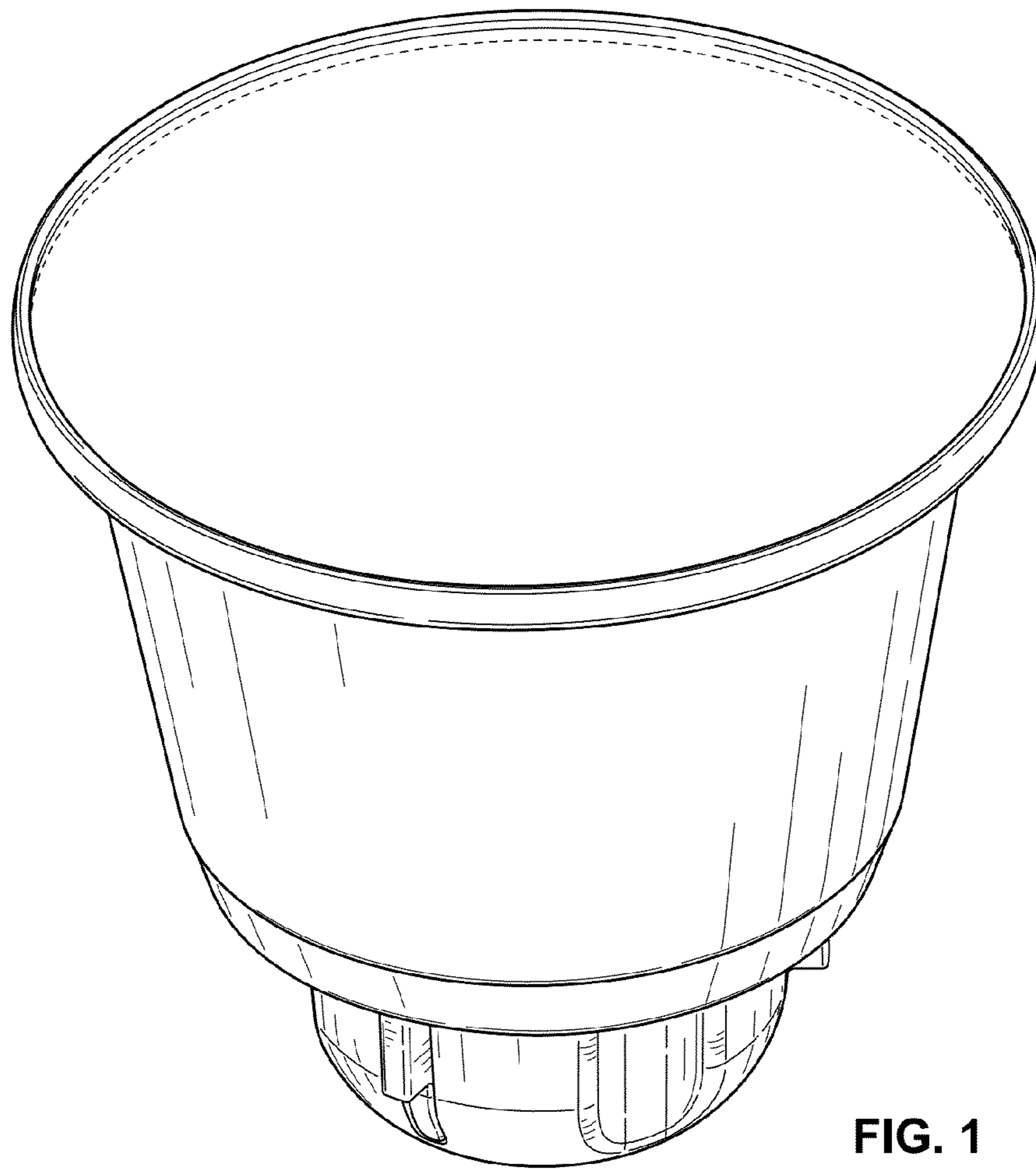


FIG. 1

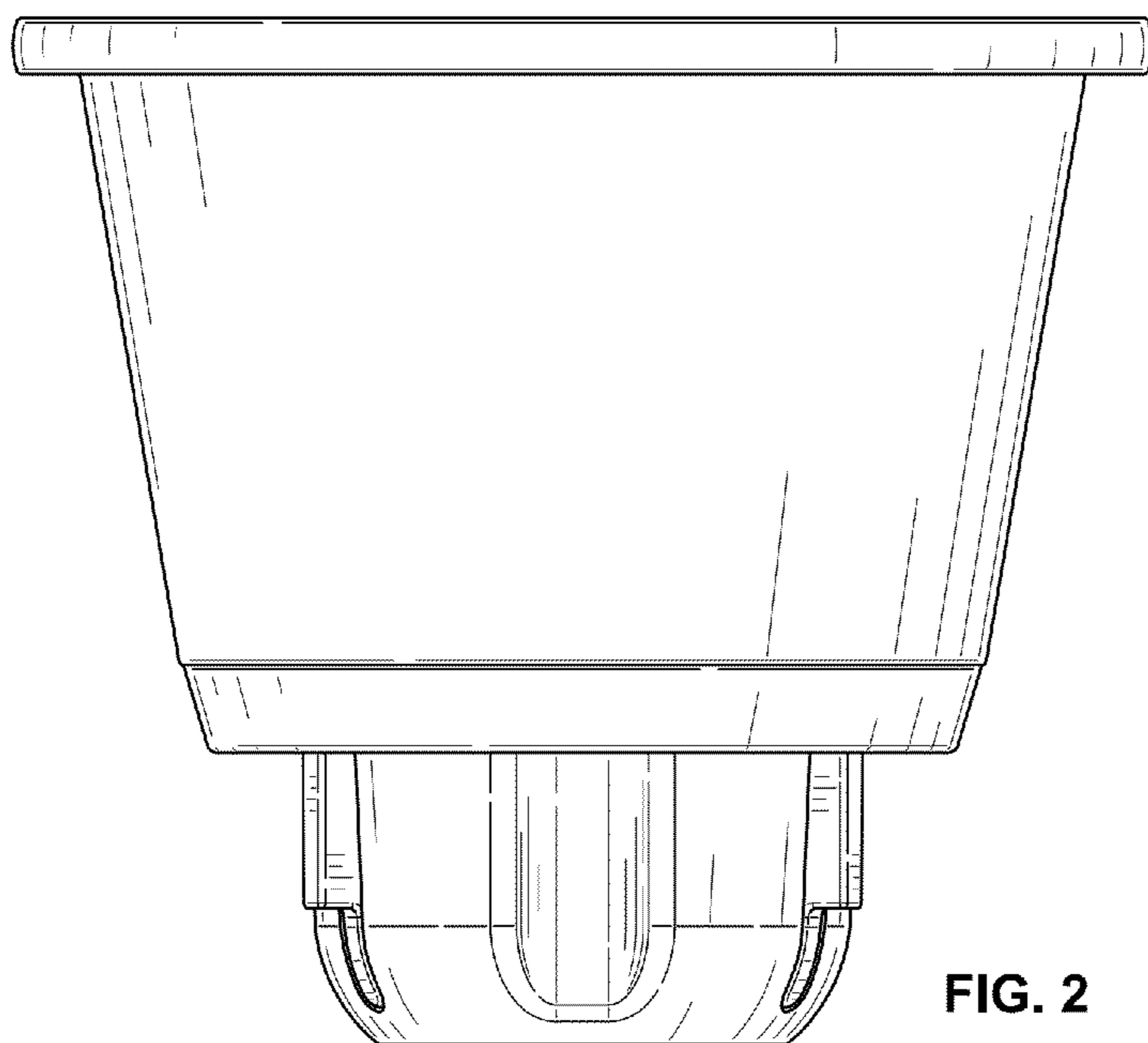


FIG. 2

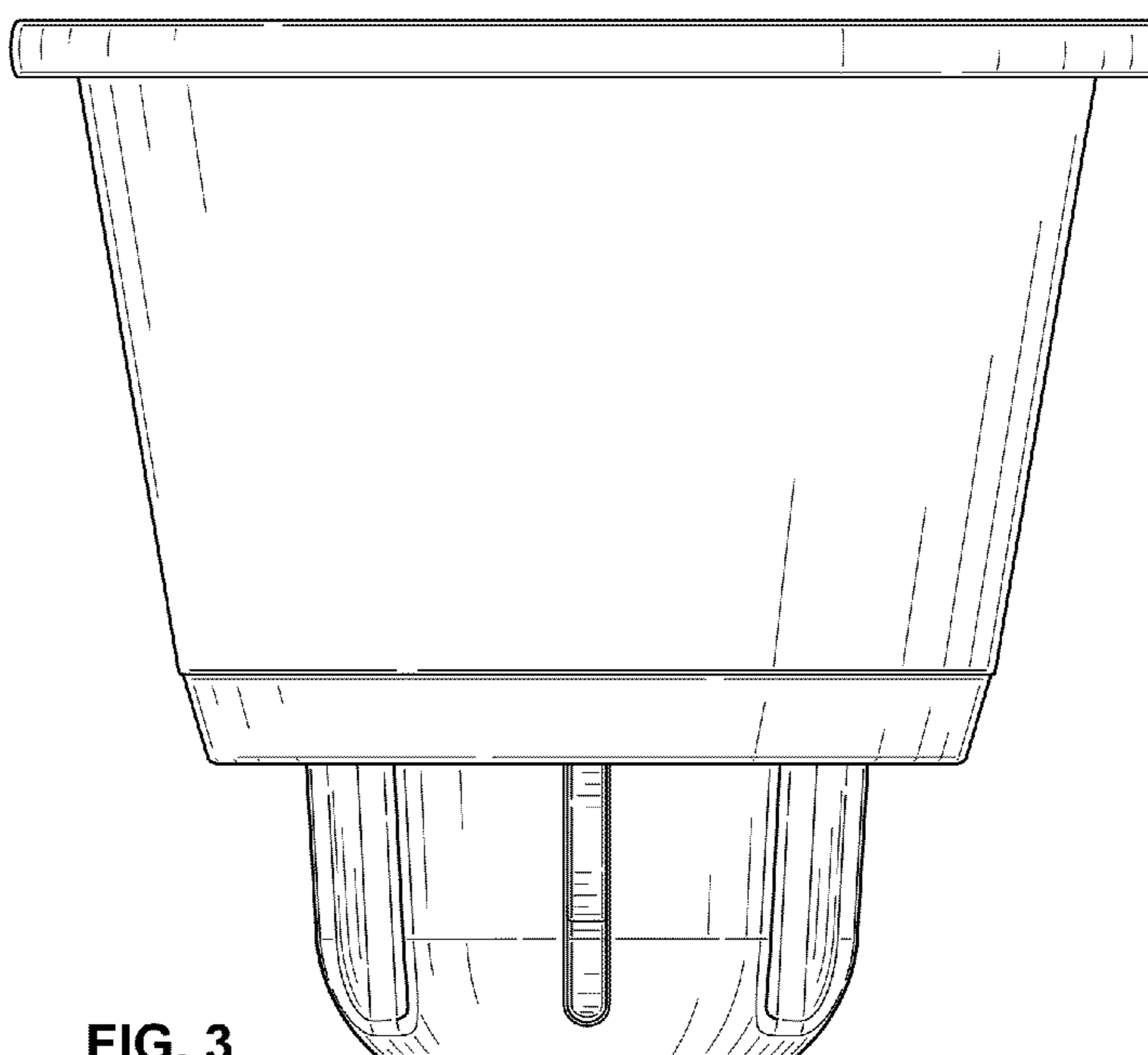
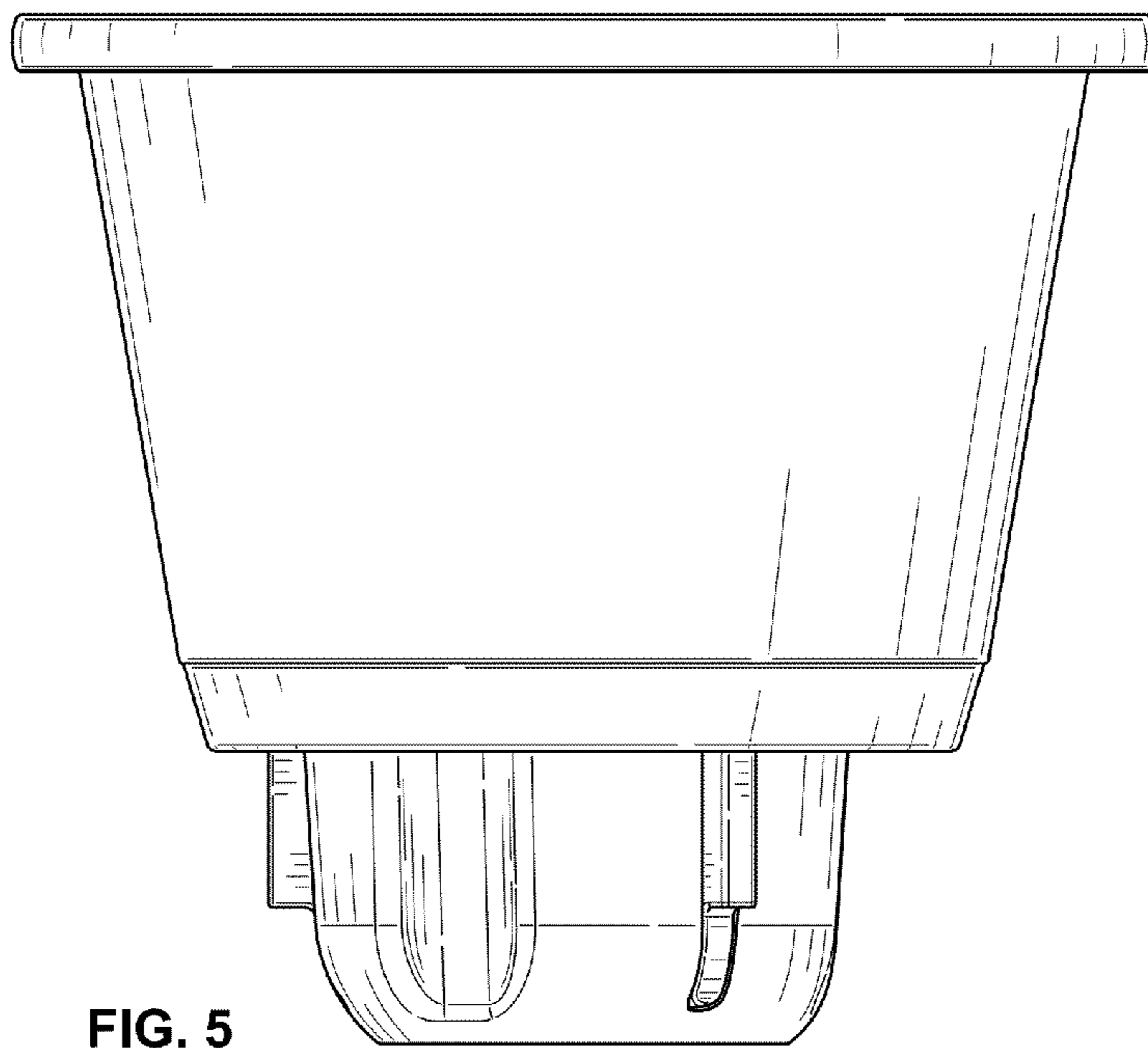
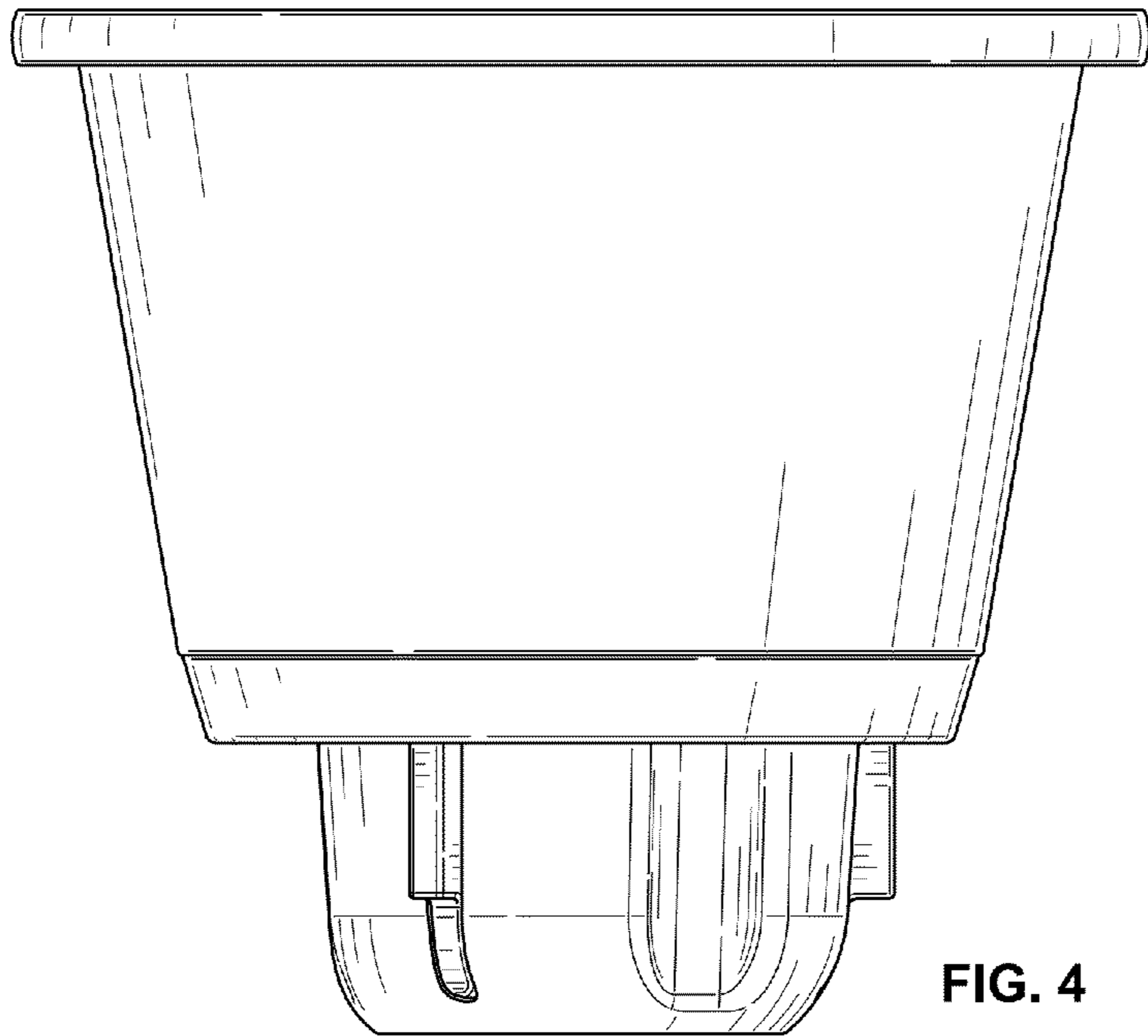


FIG. 3



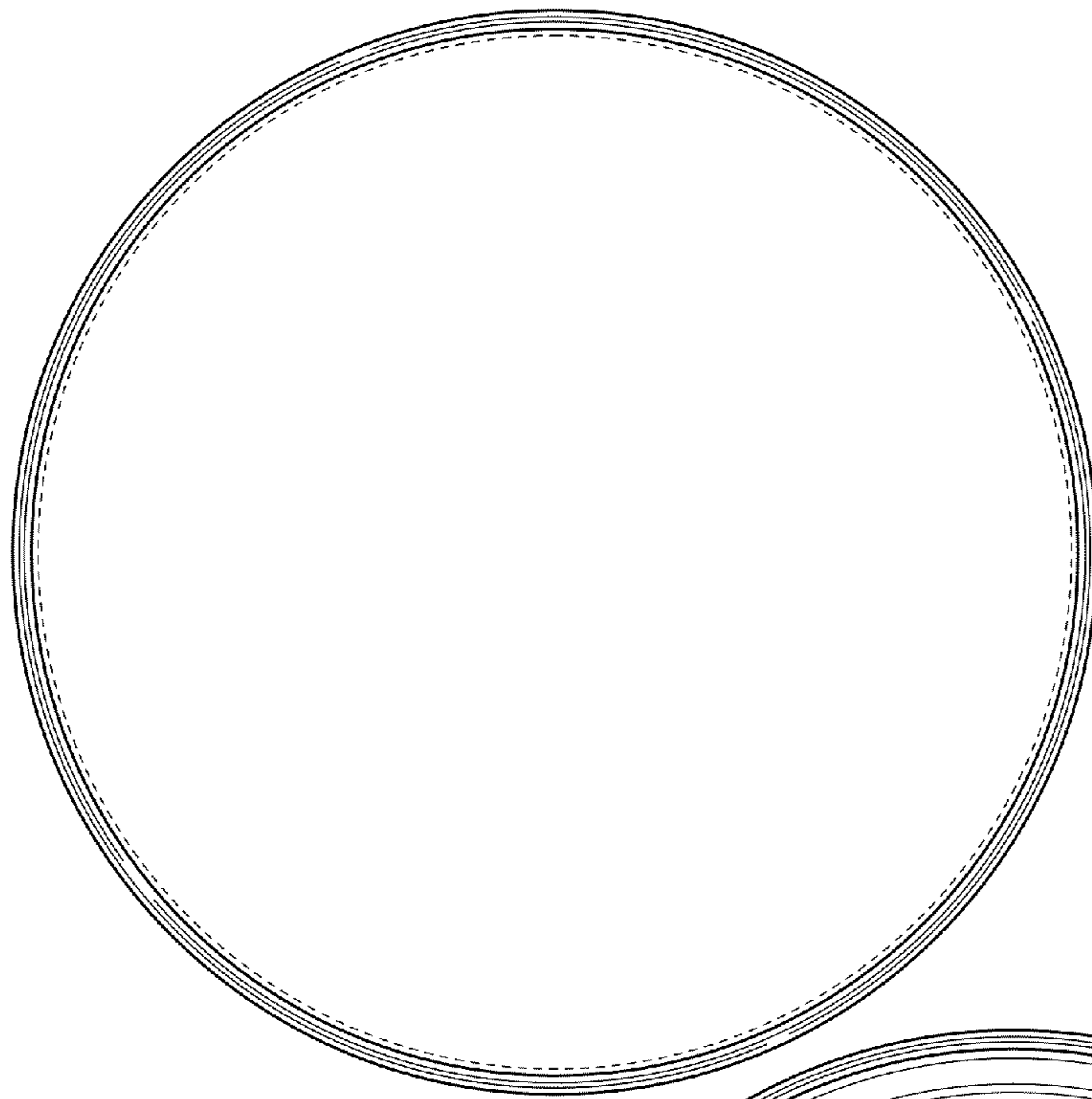


FIG. 6

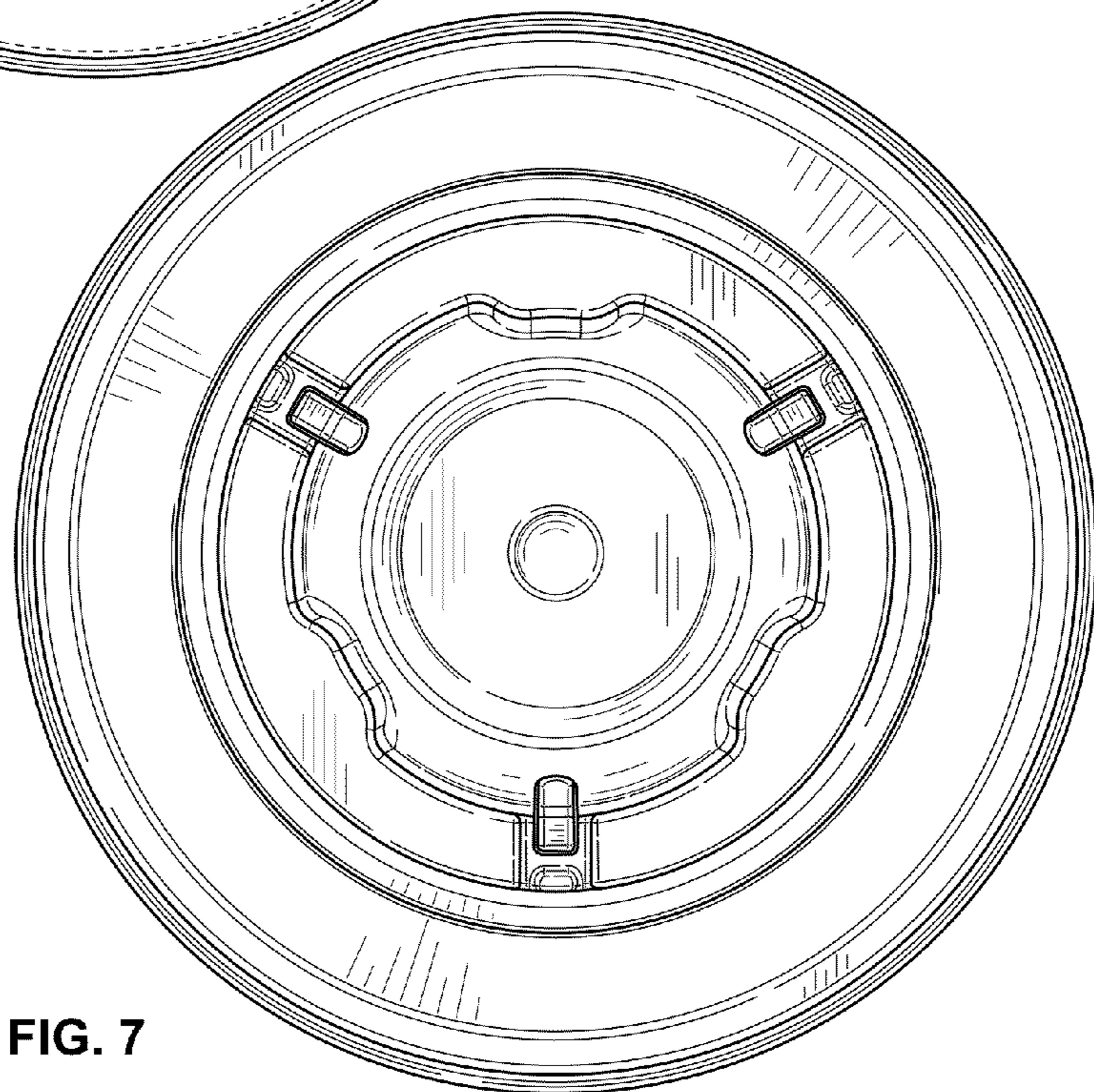


FIG. 7

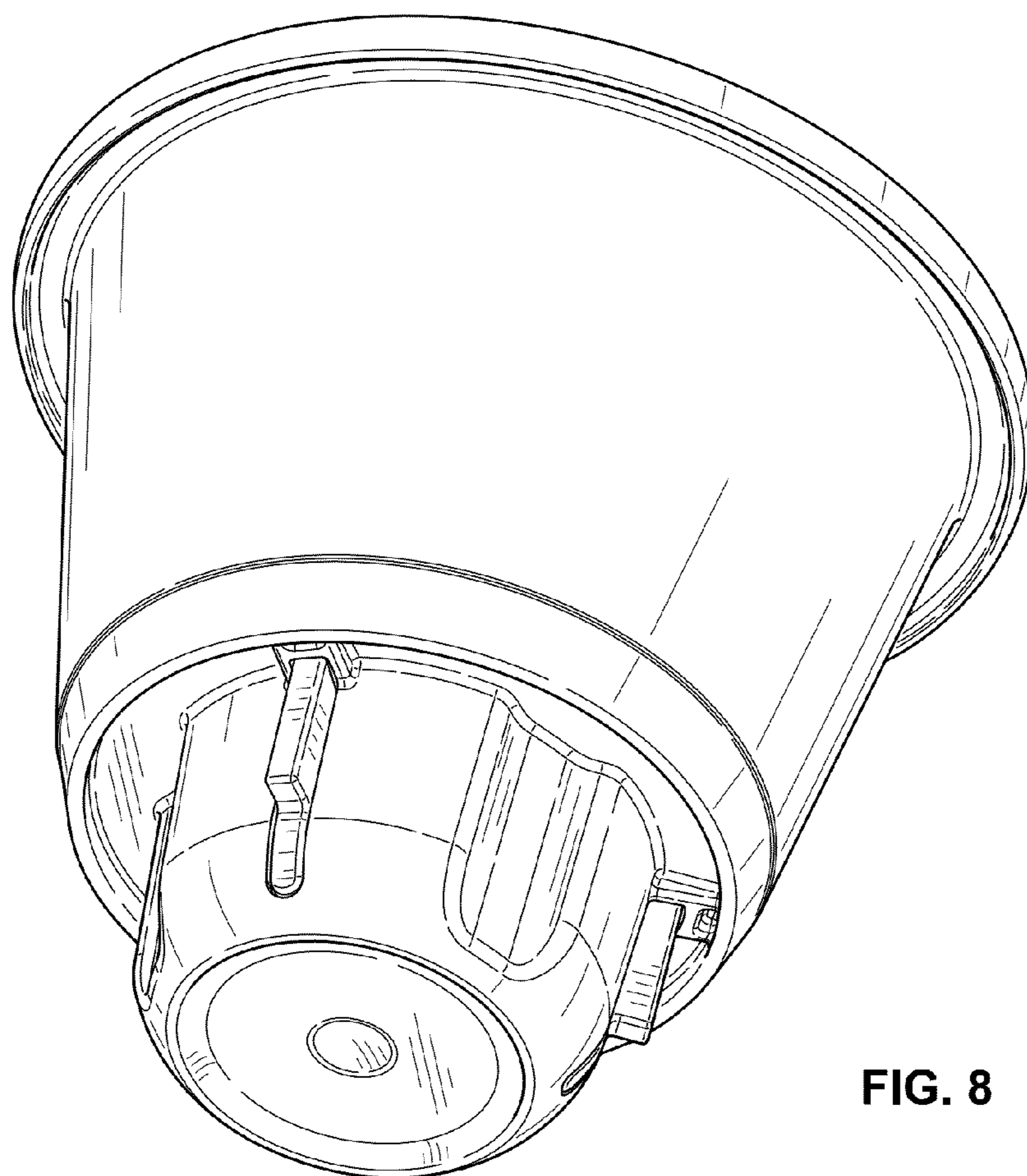


FIG. 8