



US00D700474S

(12) **United States Design Patent**  
**Dilonardo et al.**

(10) **Patent No.:** **US D700,474 S**

(45) **Date of Patent:** **\*\* \*Mar. 4, 2014**

(54) **MICROWAVE COOKING SYSTEM LID**

D458,508 S \* 6/2002 Thonis et al. .... D7/392.1  
D501,754 S \* 2/2005 Munson et al. .... D7/392.1  
D506,639 S \* 6/2005 Jalet ..... D7/392

(75) Inventors: **Paul Dilonardo**, Colonia, NJ (US);  
**Jorge Prats**, RiverEdge, NJ (US)

\* cited by examiner

(73) Assignee: **Tristar Products, Inc.**, Fairfield, NJ  
(US)

*Primary Examiner* — Holly H. Baynham

*Assistant Examiner* — Cynthia M Chin

(\*) Notice: This patent is subject to a terminal disclaimer.

(74) *Attorney, Agent, or Firm* — Barlow, Josephs & Holmes, Ltd.

(\*\*) Term: **14 Years**

(57) **CLAIM**

The ornamental design for a microwave cooking system lid, as shown and described.

(21) Appl. No.: **29/302,399**

**DESCRIPTION**

(22) Filed: **Jan. 16, 2008**

(51) **LOC (10) Cl.** ..... **07-02**

(52) **U.S. Cl.**

USPC ..... **D7/392.1**

(58) **Field of Classification Search**

USPC ..... D7/391, 392, 392.1, 629, 500, 538, 566,  
D7/568, 570, 584; D9/428, 434–436,  
D9/451–454, 503, 504, 569; 220/700, 701,  
220/780, 782, 315, 377, 800; 215/200, 224,  
215/316, 354; 219/733, 734, 735

See application file for complete search history.

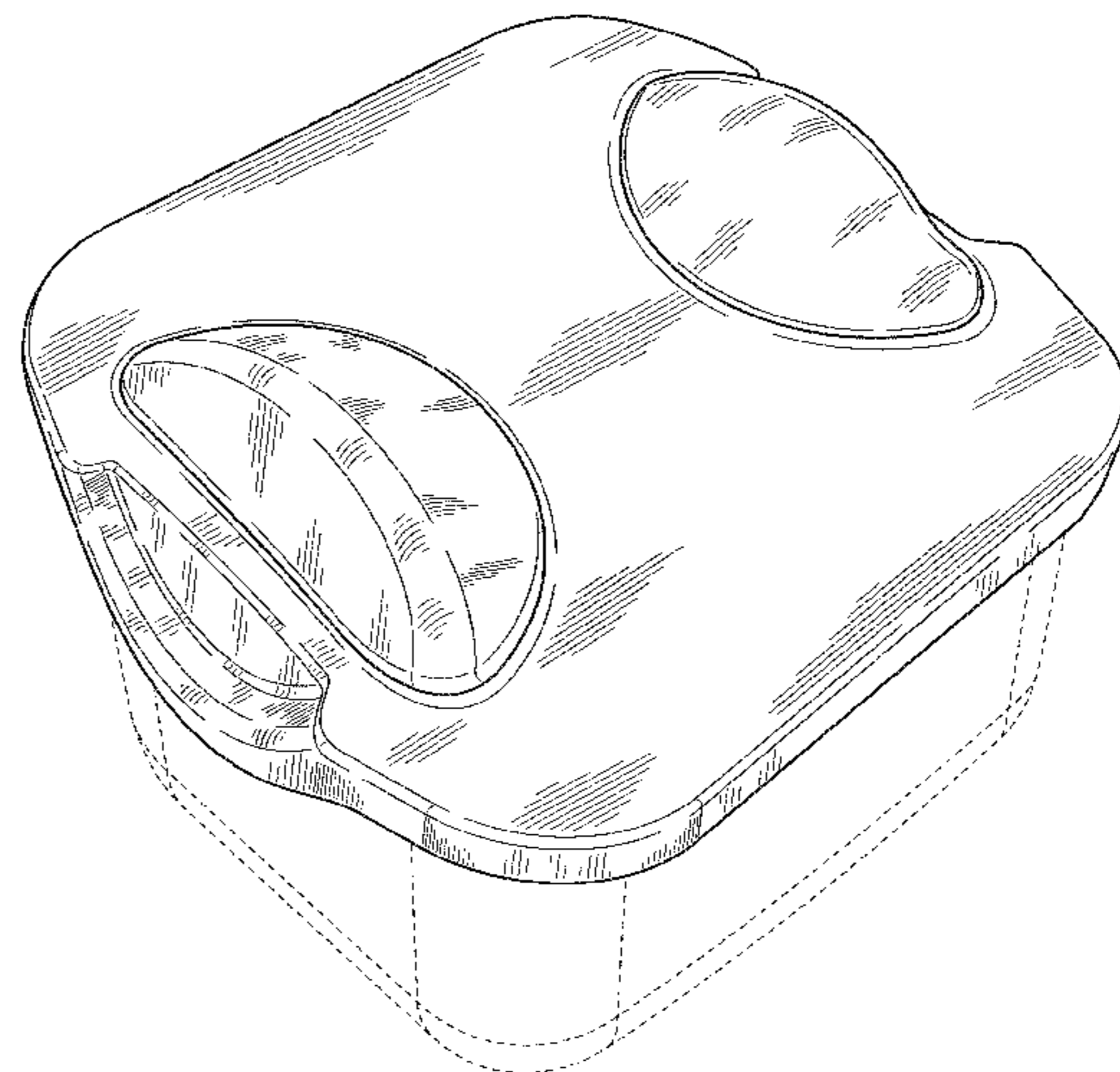
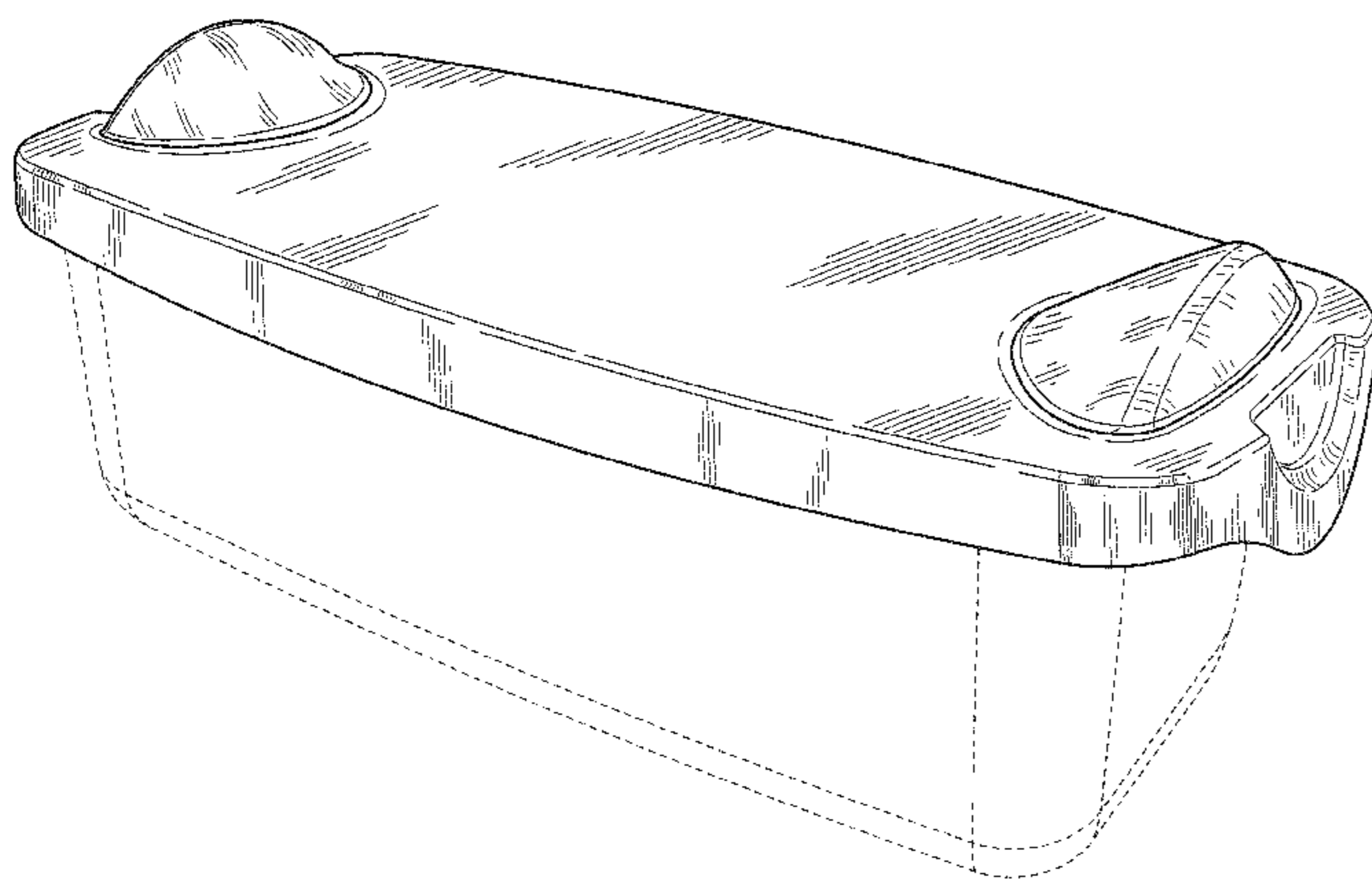
FIG. 1 is a perspective view of one embodiment of the microwave cooking system lid showing our new design, with broken lines indicating the position of the lid;  
FIG. 2 is a perspective view of a second embodiment of the microwave cooking system lid showing our new design, with broken lines indicating the position of the lid;  
FIG. 3 is a front plan view of the lid in FIG. 1, which is identical to the rear view thereof and identical to the front and rear views of the lid in FIG. 2;  
FIG. 4 is a side plan view of the lid in FIG. 2;  
FIG. 5 is a top plan view of the lid in FIG. 2;  
FIG. 6 is a bottom plan view of the lid in FIG. 2;  
FIG. 7 is a side plan view of the lid in FIG. 1;  
FIG. 8 is a top plan view of the lid in FIG. 1; and,  
FIG. 9 is a bottom plan view of the lid in FIG. 1.  
The broken lines represent the environment in which the design resides and forms no part of the claim.

(56) **References Cited**

**U.S. PATENT DOCUMENTS**

D321,111 S \* 10/1991 Wolff ..... D7/391  
D418,716 S \* 1/2000 Haley ..... D7/392.1

**1 Claim, 4 Drawing Sheets**



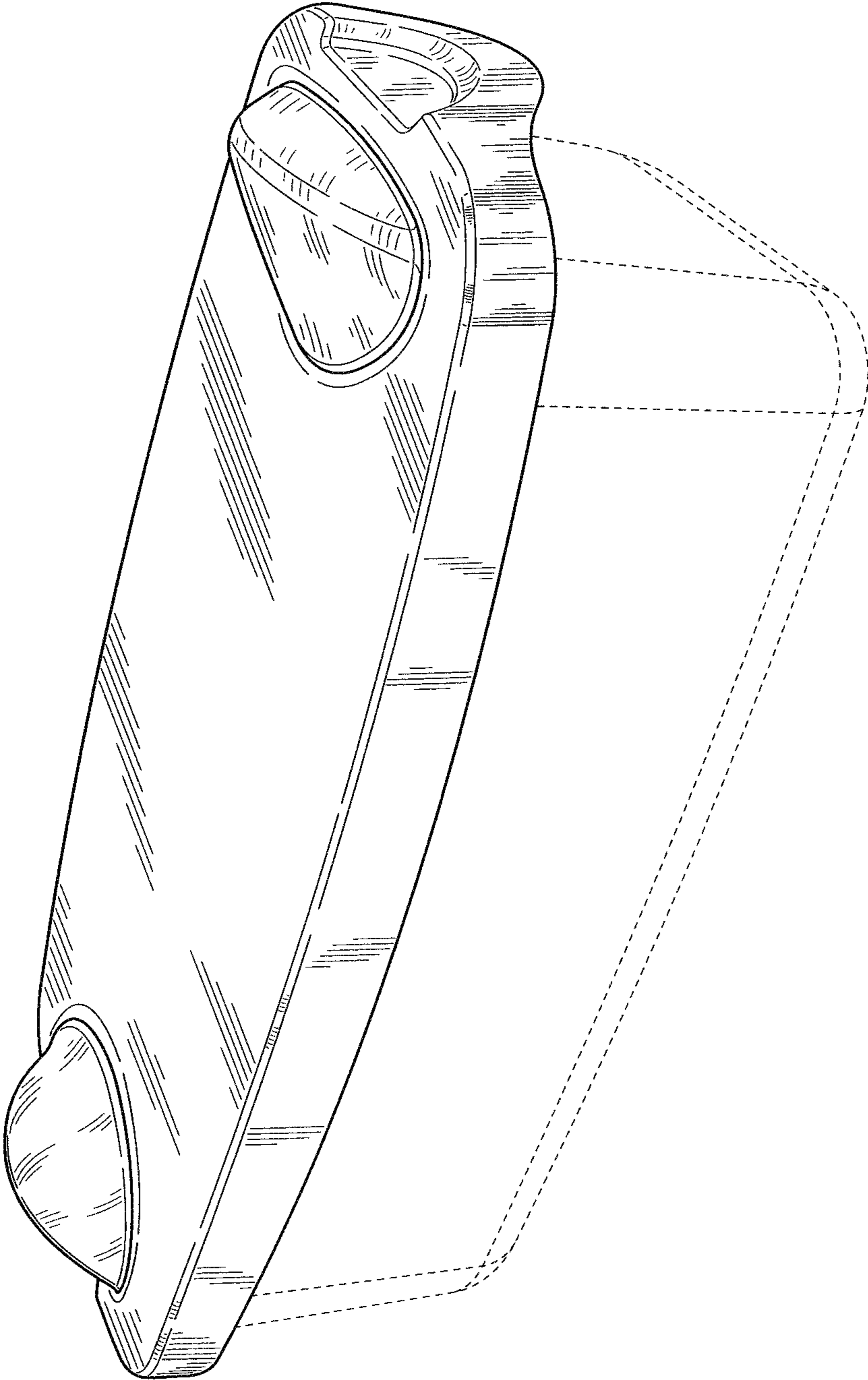


FIG. 1

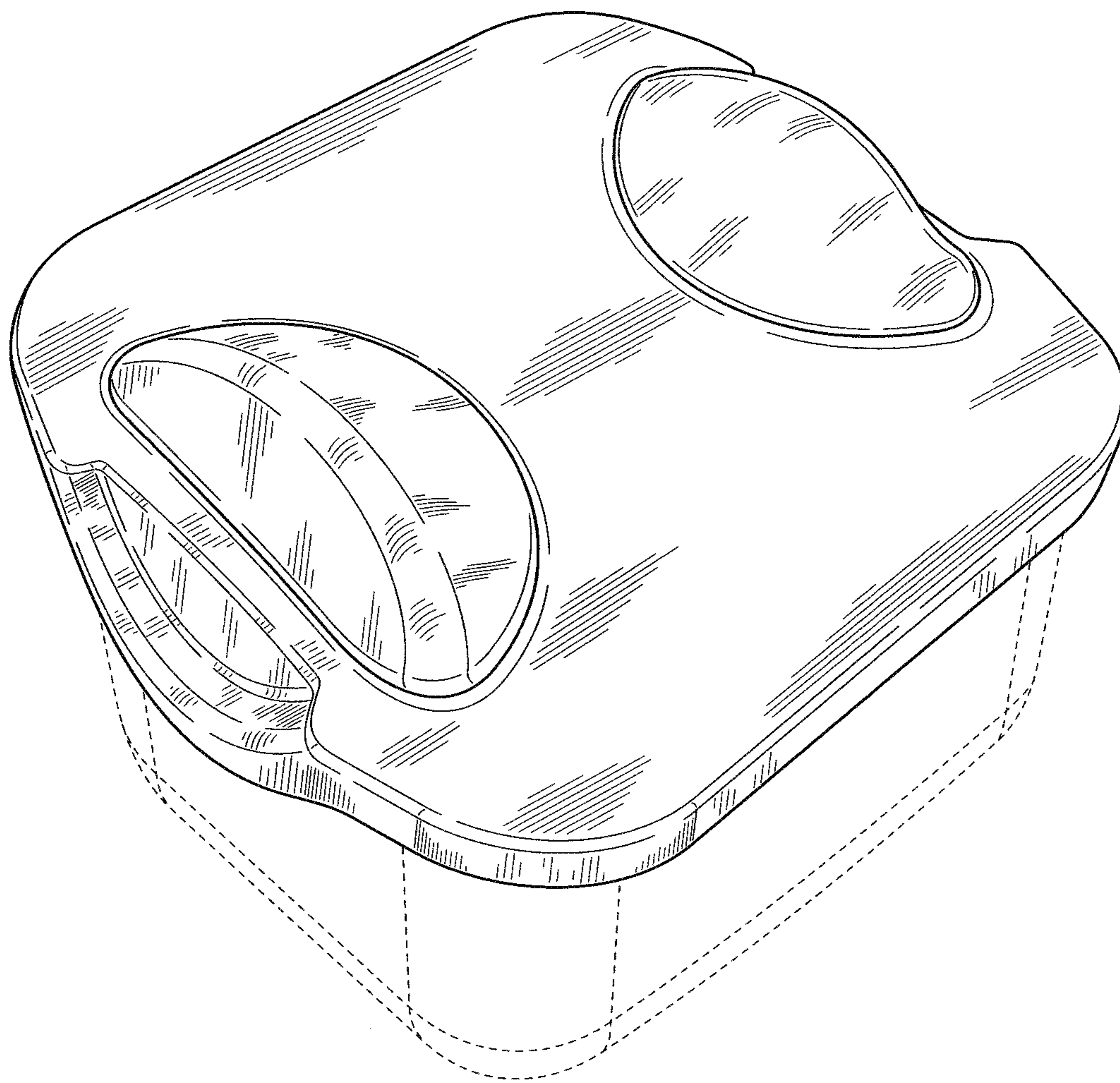


FIG. 2

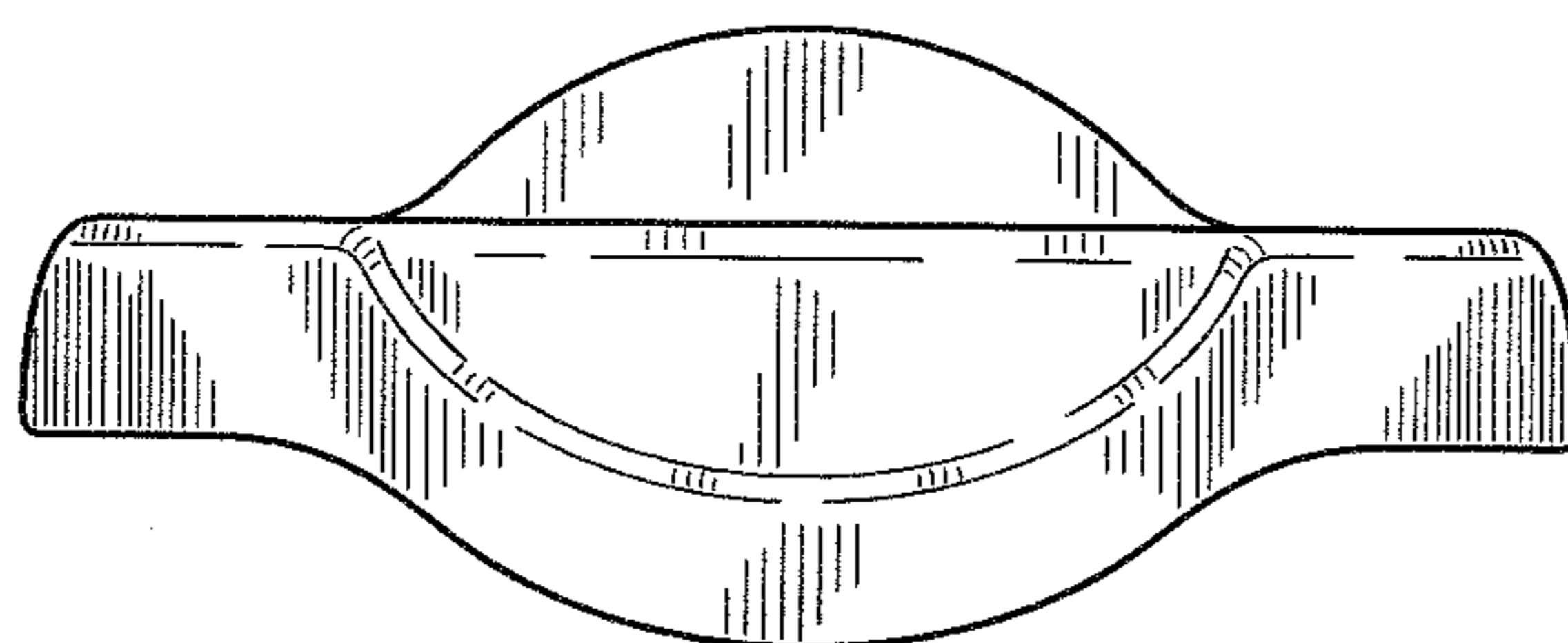


FIG. 3

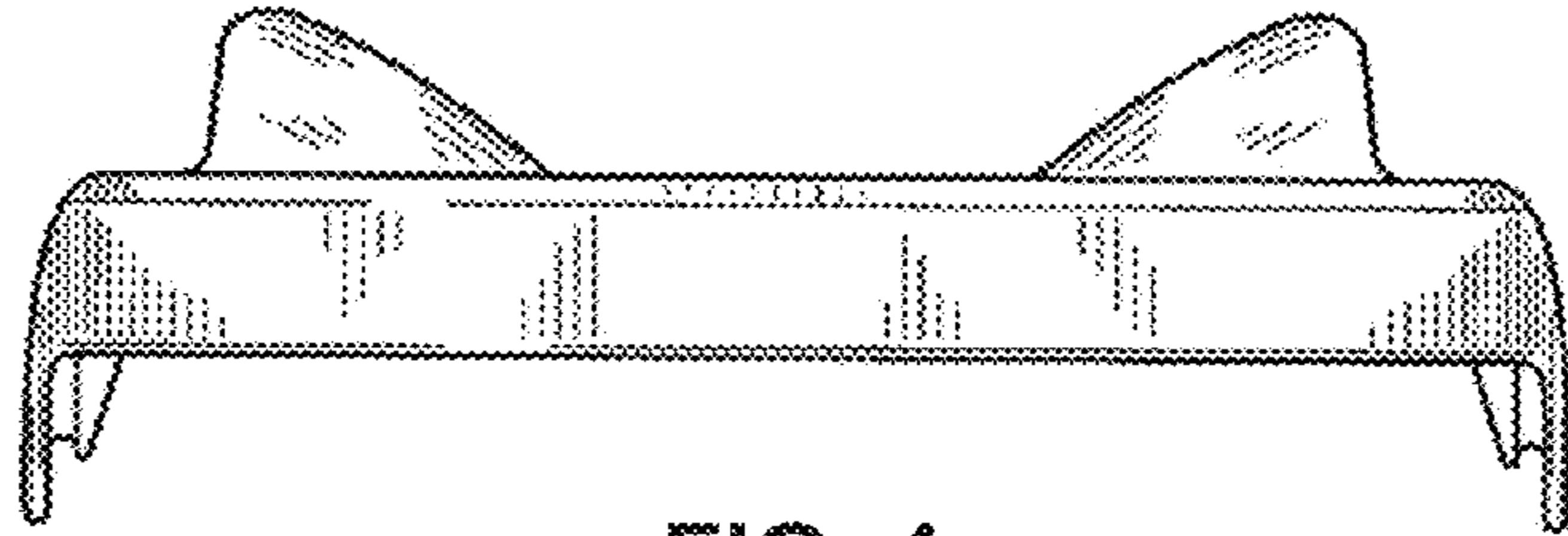


FIG. 4

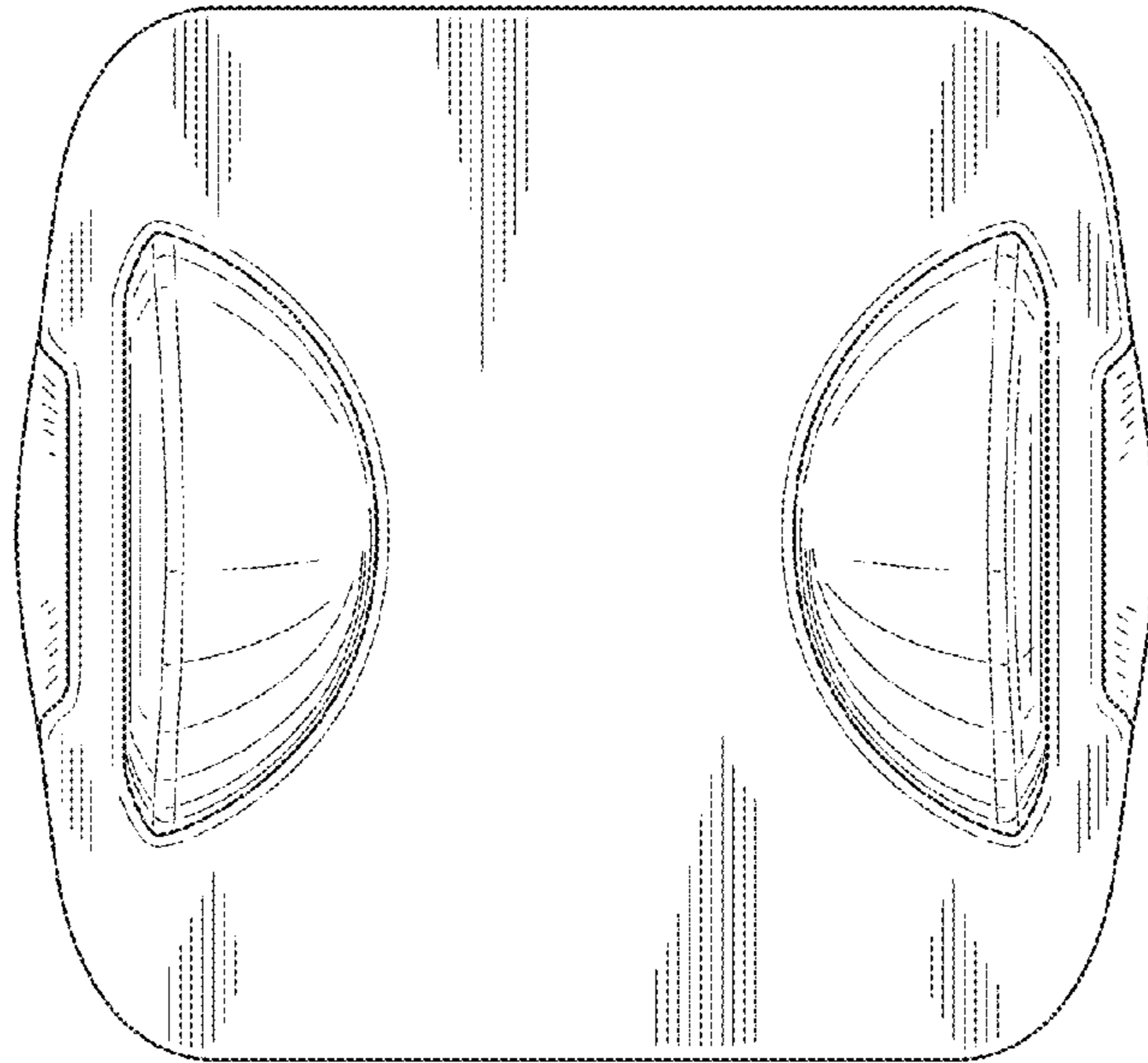


FIG. 5

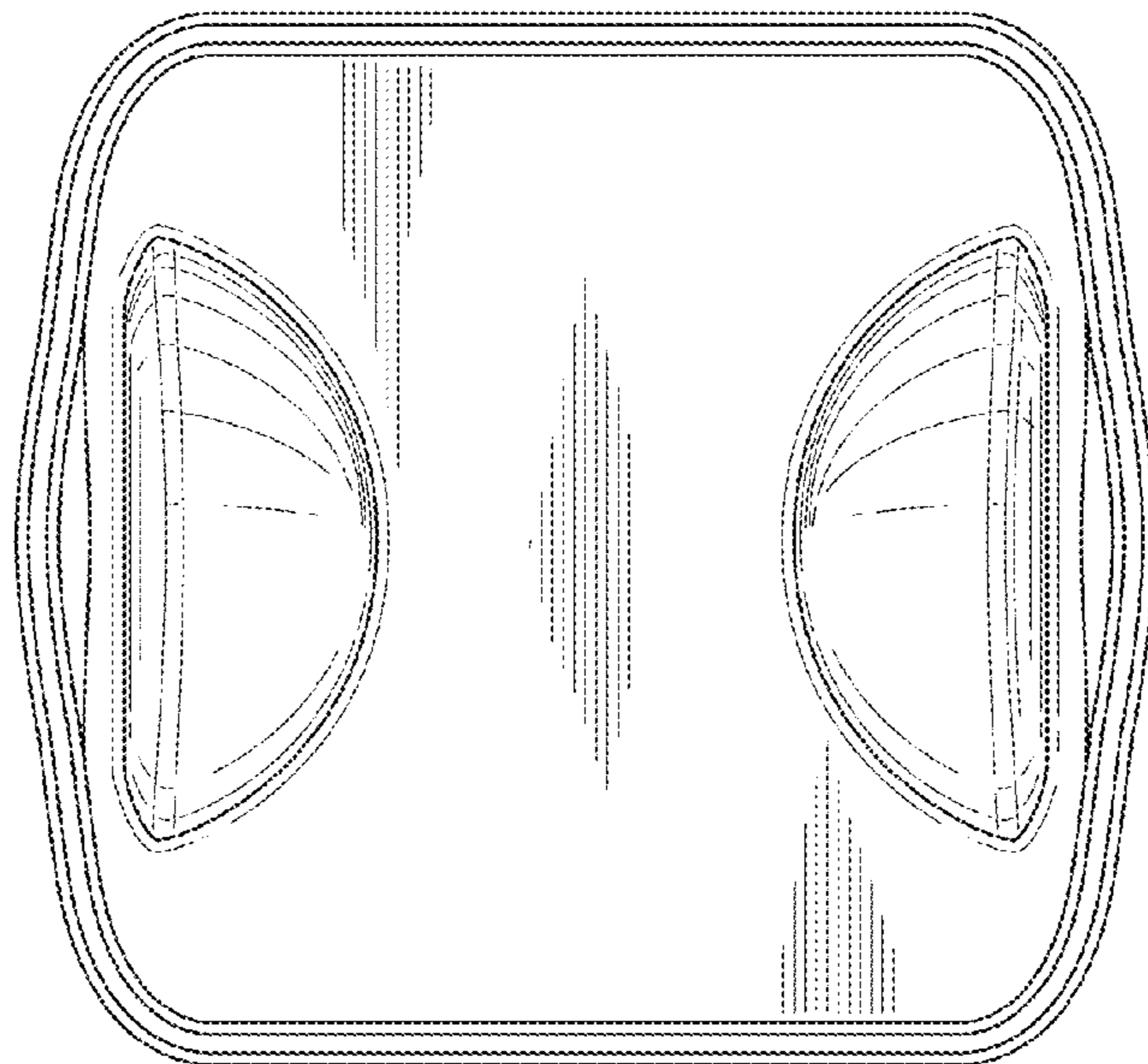


FIG. 6

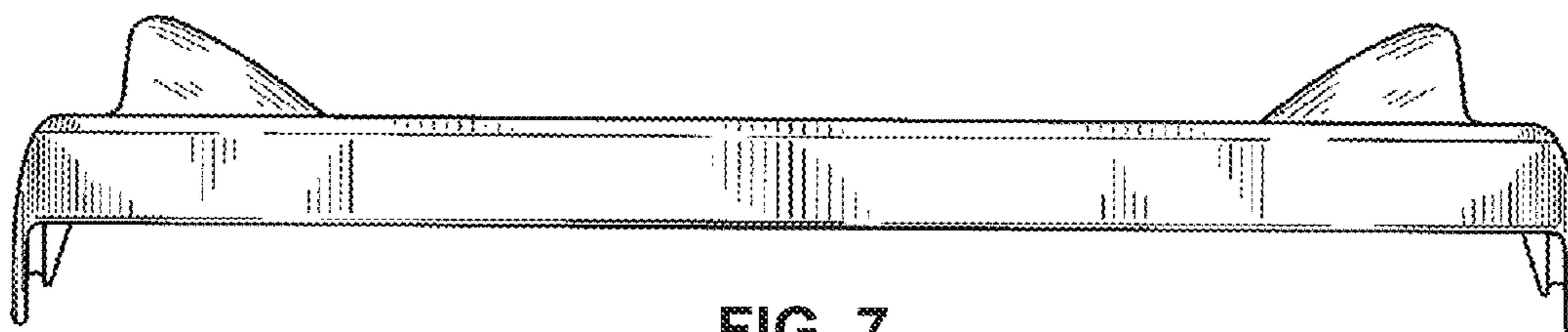


FIG. 7

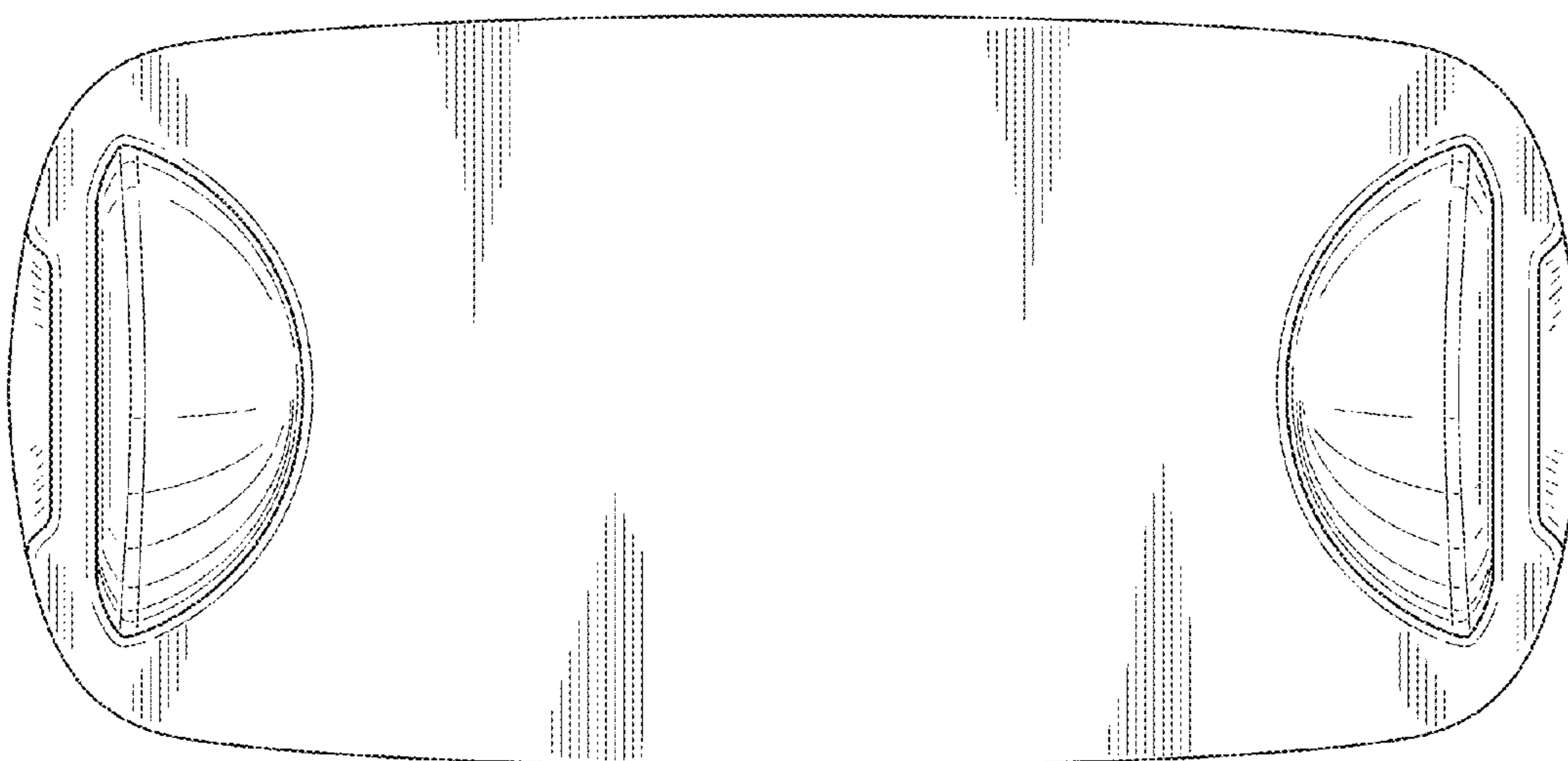


FIG. 8

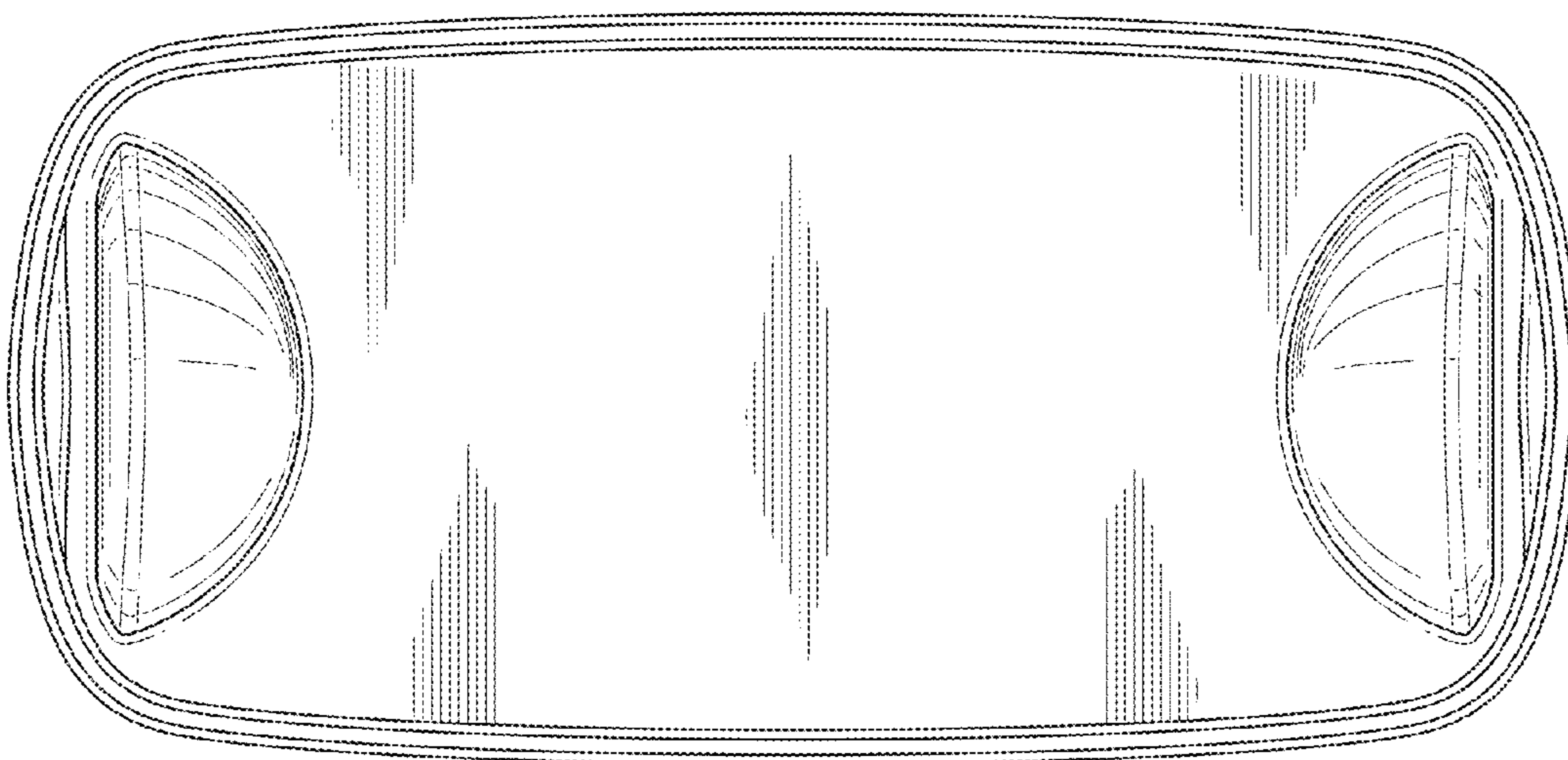


FIG. 9