

US00D700473S

(12) **United States Design Patent**  
**Duvigneau**

(10) **Patent No.:** **US D700,473 S**  
(45) **Date of Patent:** **\*\* Mar. 4, 2014**

- (54) **CONTAINER LID**
- (71) Applicant: **Curver Luxembourg SARL,**  
Neidercorn (LU)
- (72) Inventor: **Nikolai Duvigneau, Zichron Yaacov (IL)**
- (73) Assignee: **Curver Luxembourg Sarl, Neidercorn**  
(LU)
- (\*\*) Term: **14 Years**
- (21) Appl. No.: **29/462,935**
- (22) Filed: **Aug. 9, 2013**

D452,374 S *	12/2001	Kim	.....	D3/302
D481,910 S *	11/2003	Kim	.....	D7/629
D488,031 S *	4/2004	Kim	.....	D7/629
D493,073 S *	7/2004	Kim	.....	D7/629
6,793,096 B1 *	9/2004	Seok	.....	220/788
D523,296 S *	6/2006	Kim	.....	D7/629
D544,762 S *	6/2007	Zimmerman	.....	D7/629
D562,083 S *	2/2008	Lown et al.	.....	D7/629
D575,115 S *	8/2008	Zimmerman	.....	D7/629
D582,218 S *	12/2008	Curtin	.....	D7/629
D606,813 S *	12/2009	Kim	.....	D7/629
D652,265 S *	1/2012	Lindsay et al.	.....	D7/629
2004/0084464 A1 *	5/2004	Koo	.....	220/784
2005/0006390 A1 *	1/2005	Wang	.....	220/326
2005/0035125 A1 *	2/2005	Bae	.....	220/326
2007/0029215 A1 *	2/2007	Martinez et al.	.....	206/223

\* cited by examiner

(30) **Foreign Application Priority Data**

Feb. 11, 2011 (EM) ..... 001259949-0023

(51) **LOC (10) Cl.** ..... **07-07**

(52) **U.S. Cl.**  
USPC ..... **D7/391**

(58) **Field of Classification Search**  
USPC ..... D7/391-392.1, 629, 538-542, 630;  
D9/424-432, 434, 435, 443, 449;  
220/780-806, 324, 326, 236; D3/201,  
D3/273, 294

See application file for complete search history.

(56) **References Cited**

**U.S. PATENT DOCUMENTS**

4,471,880 A \* 9/1984 Taylor et al. .... 220/792  
5,356,026 A \* 10/1994 Andress et al. .... 206/508

*Primary Examiner* — Terry Wallace

(74) *Attorney, Agent, or Firm* — Nath, Goldberg & Meyer;  
Jerald L. Meyer; Scott Langford

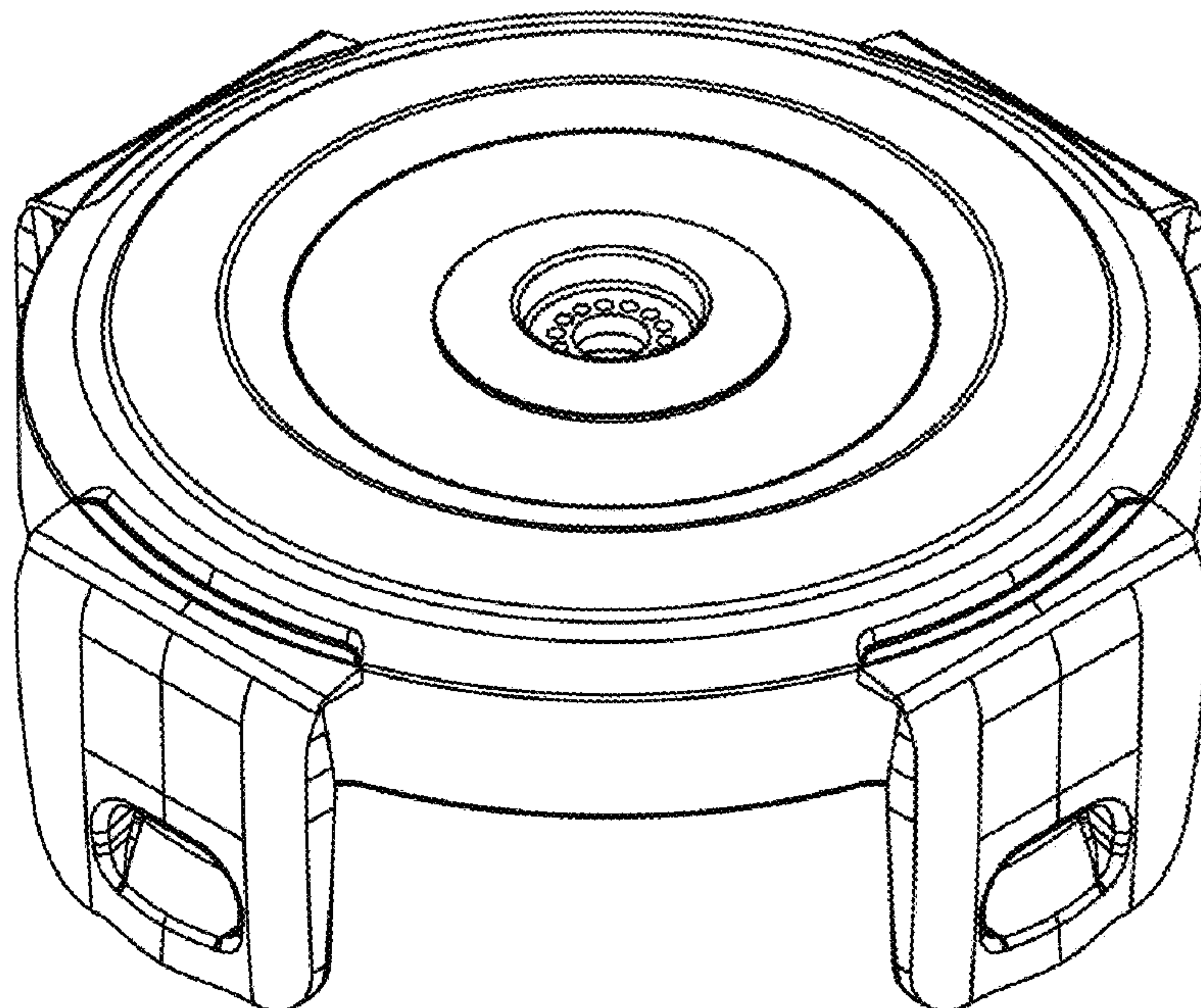
(57) **CLAIM**

The ornamental design for a container lid, as shown and described.

**DESCRIPTION**

FIG. 1 is a top perspective view of a container lid;  
FIG. 2 is a right elevational view of the container lid as seen  
in FIG. 1, with the other elevational views being identical;  
FIG. 3 is a top planar view of the container lid as seen in FIG.  
1; and,  
FIG. 4 is a bottom planar view of the container lid as seen in  
FIG. 1.

**1 Claim, 4 Drawing Sheets**



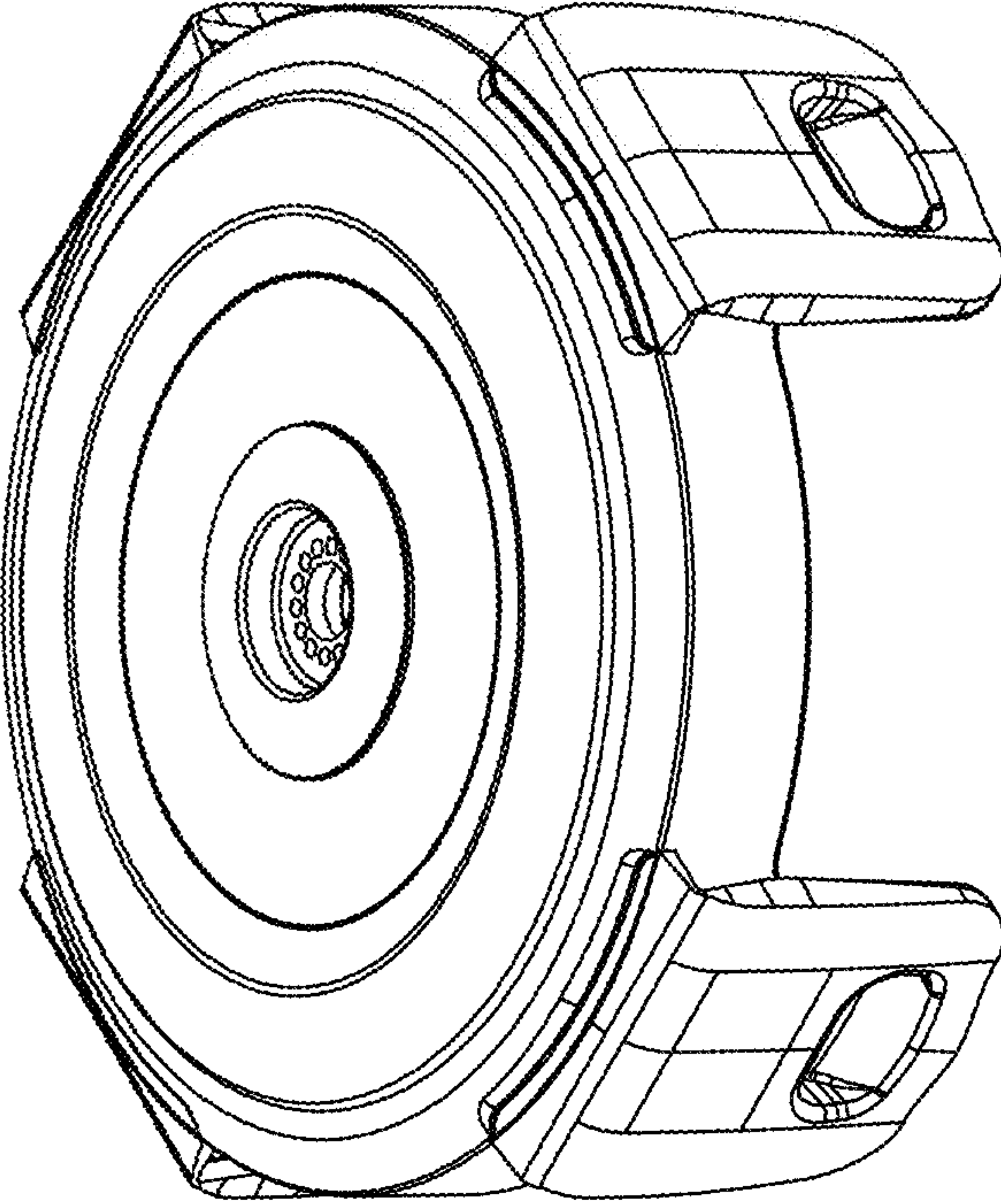


FIG. 1

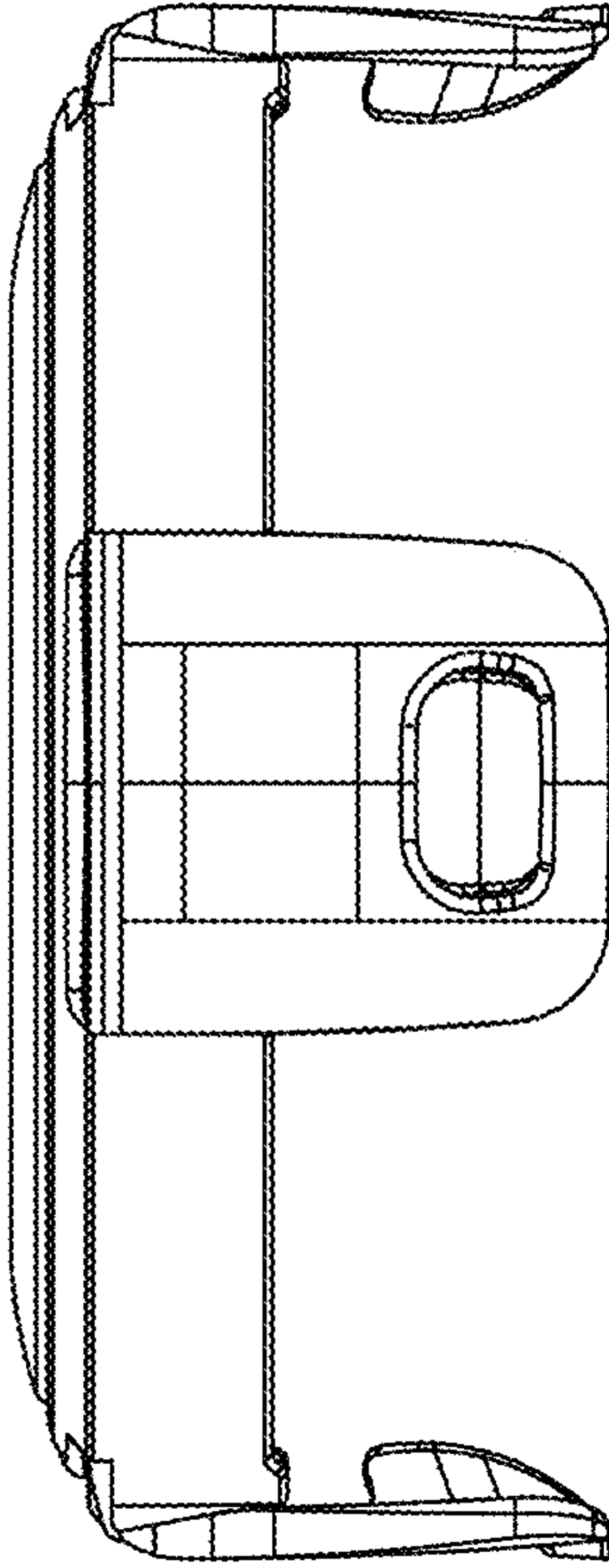


FIG. 2

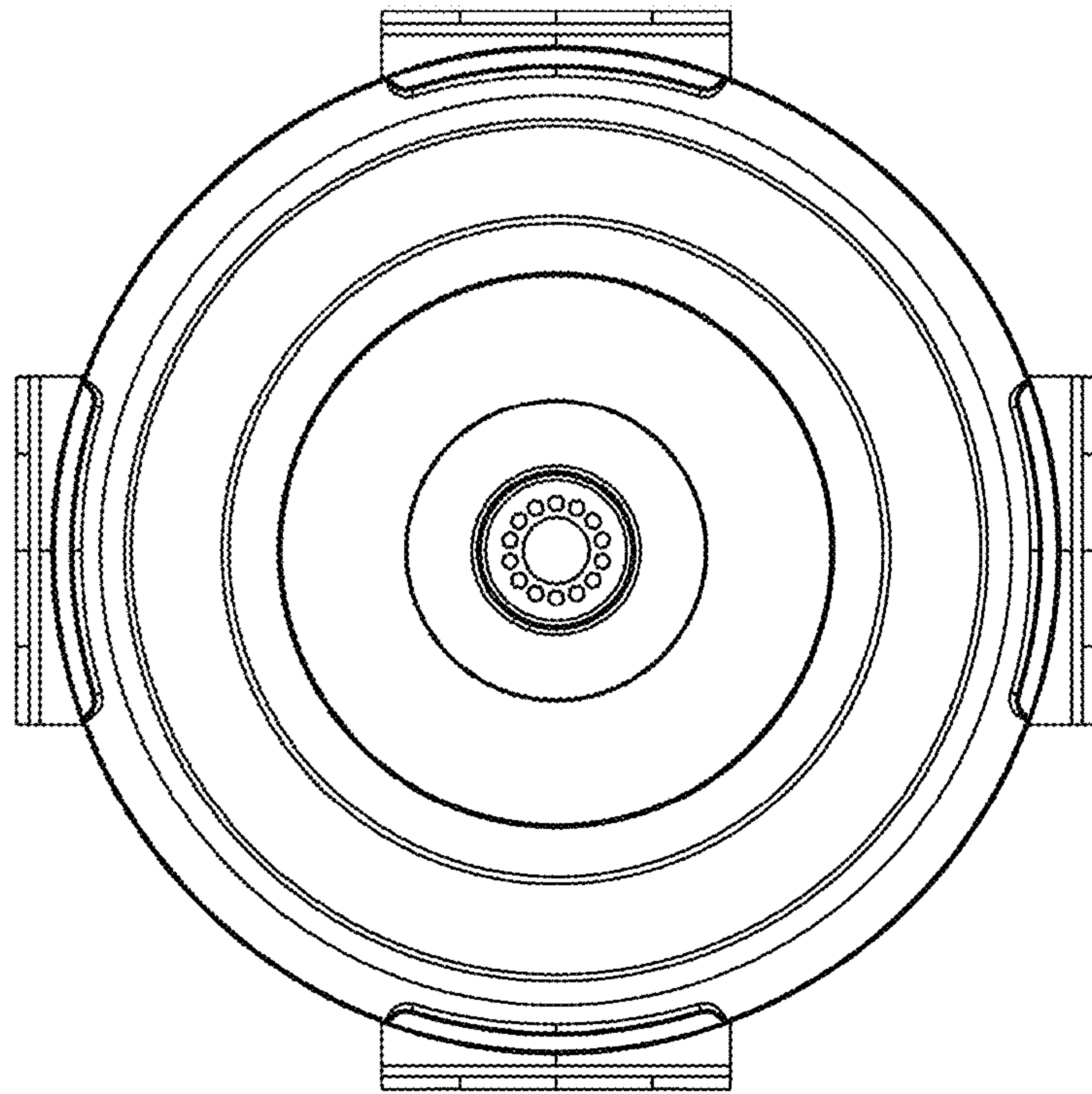


FIG. 3



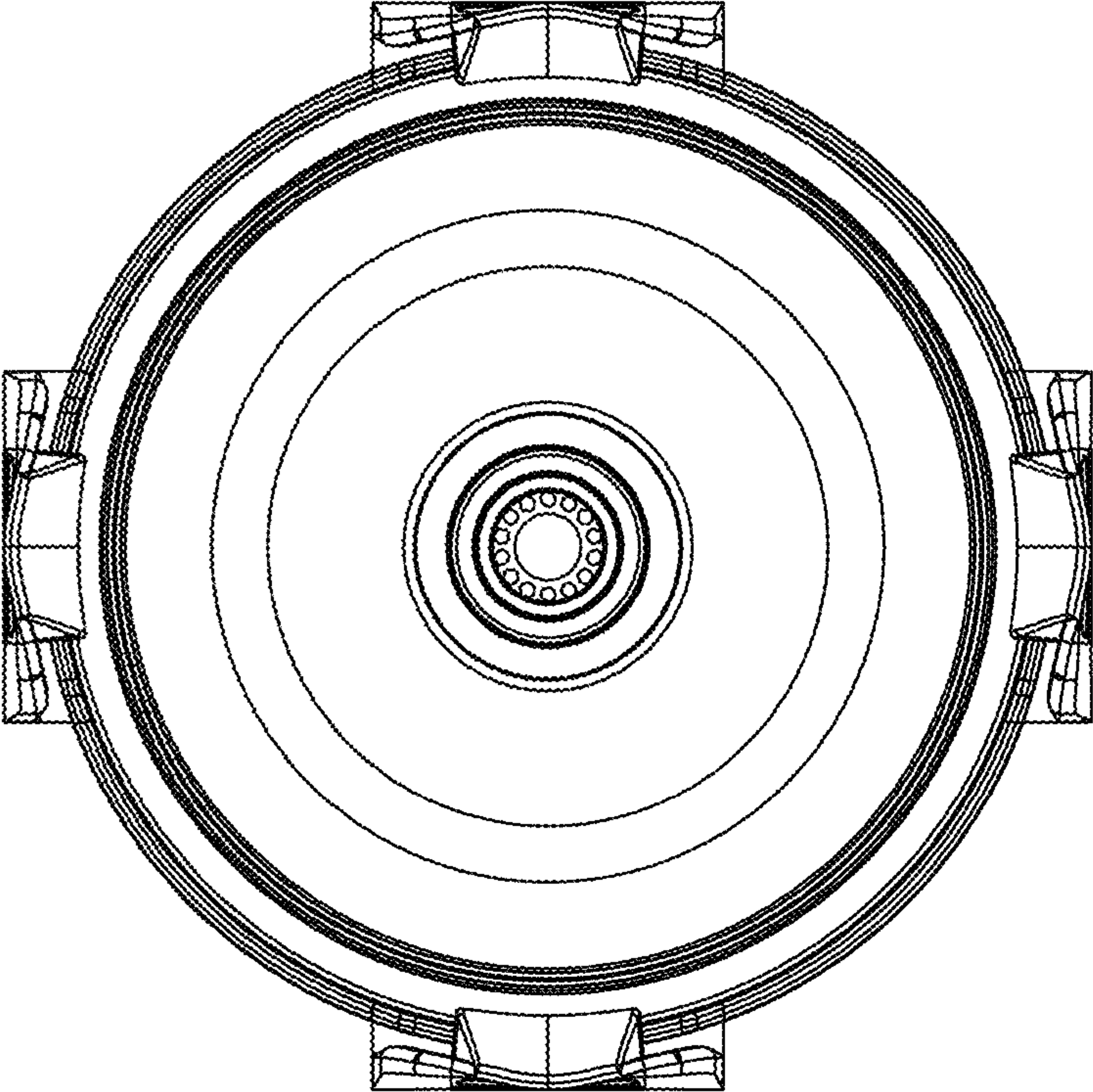


FIG. 4

UNITED STATES PATENT AND TRADEMARK OFFICE  
**CERTIFICATE OF CORRECTION**

PATENT NO. : D700,473 S  
APPLICATION NO. : 29/462935  
DATED : March 4, 2014  
INVENTOR(S) : Nikolai Duvigneau

Page 1 of 1

It is certified that error appears in the above-identified patent and that said Letters Patent is hereby corrected as shown below:

On the Title Page, Item (62) should read,

Related U.S. Application Data

(62) Division of application No. 29/399,150, filed on Aug.  
10, 2011, now Pat. No. Des. 694,589.

Signed and Sealed this  
Twelfth Day of August, 2014



Michelle K. Lee  
*Deputy Director of the United States Patent and Trademark Office*