



US00D700472S

(12) **United States Design Patent**  
**Van Staden et al.**

(10) **Patent No.:** **US D700,472 S**  
(45) **Date of Patent:** **\*\* Mar. 4, 2014**

(54) **DRINKING GLASS CHILLER**

(75) Inventors: **Barend Jacobus Philippus Van Staden**,  
Kempton Park (ZA); **Thomas Michael McKeon**,  
Weaton, IL (US); **Trevor Coleman**,  
Fourways (ZA); **Francis Bealin-Kelly**,  
Surry (GB); **Steven Michael Schennum**,  
Plainfield, IL (US); **Siyabonga Mpanza**,  
Johannesburg (ZA); **Julian Coulter**,  
Johannesburg (ZA)

(73) Assignee: **The South African Breweries Limited**,  
Sandton (ZA)

(\*\*) Term: **14 Years**

(21) Appl. No.: **29/432,414**

(22) Filed: **Sep. 14, 2012**

(30) **Foreign Application Priority Data**

Mar. 16, 2012 (ZA) ..... A2012/00288

(51) **LOC (10) Cl.** ..... **31-00**

(52) **U.S. Cl.**  
USPC ..... **D7/368**

(58) **Field of Classification Search**  
USPC ..... D7/368, 397; D15/79, 89; 62/62, 66,  
62/457.9, 373, 50.2

See application file for complete search history.

(56) **References Cited**

U.S. PATENT DOCUMENTS

3,383,879 A *	5/1968	Tice .....	62/293
3,462,967 A *	8/1969	Prasnikar .....	62/264
2003/0145620 A1 *	8/2003	Newman .....	62/373
2009/0241559 A1 *	10/2009	Dale .....	62/66

\* cited by examiner

*Primary Examiner* — Terry Wallace

(74) *Attorney, Agent, or Firm* — McCarter & English, LLP;  
David R. Burns

(57) **CLAIM**

The ornamental design for a drinking glass chiller, shown and described.

**DESCRIPTION**

FIG. 1 is a right side view of a drinking glass chiller showing our new design, the left side being a mirror image.

FIG. 2 is a perspective view thereof.

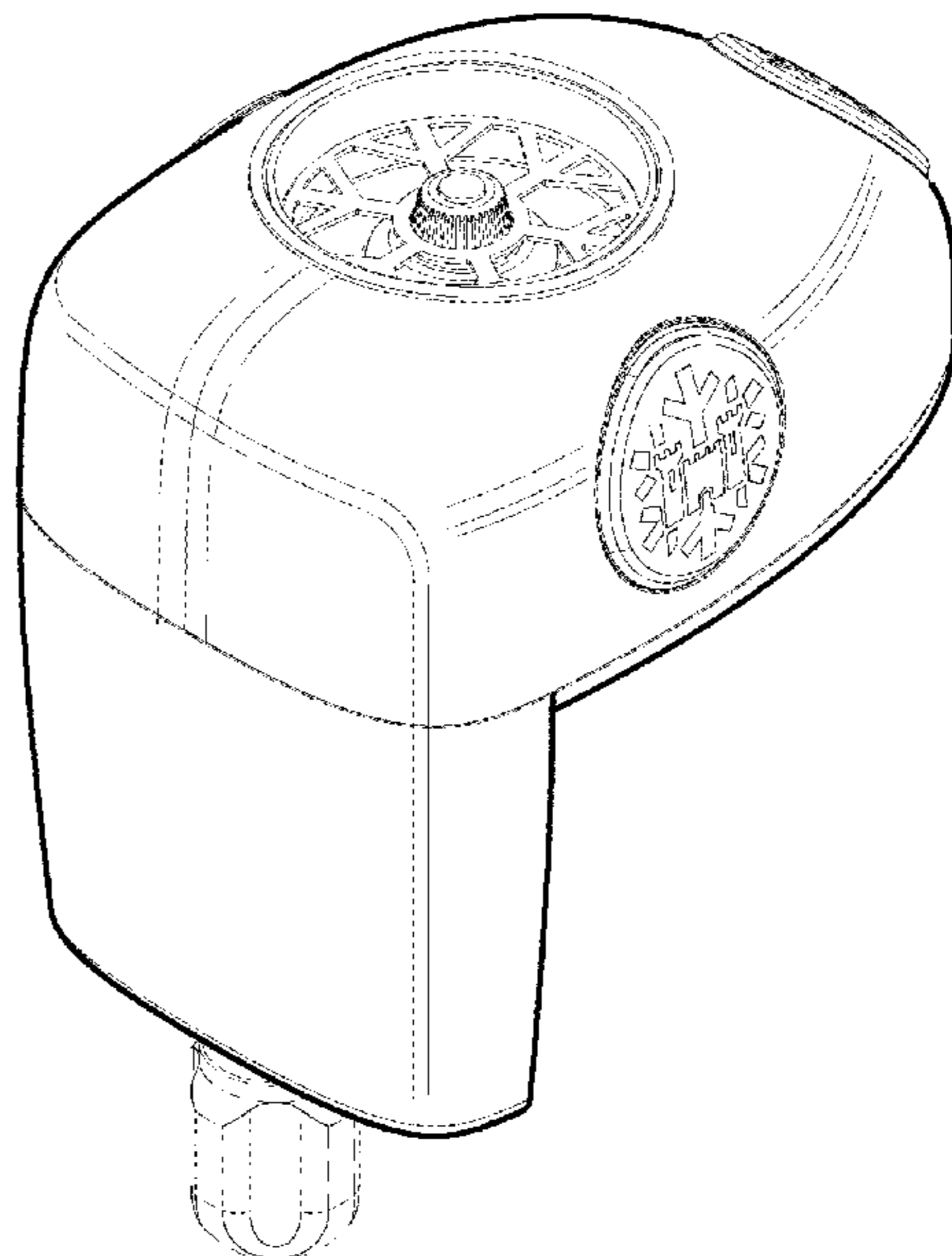
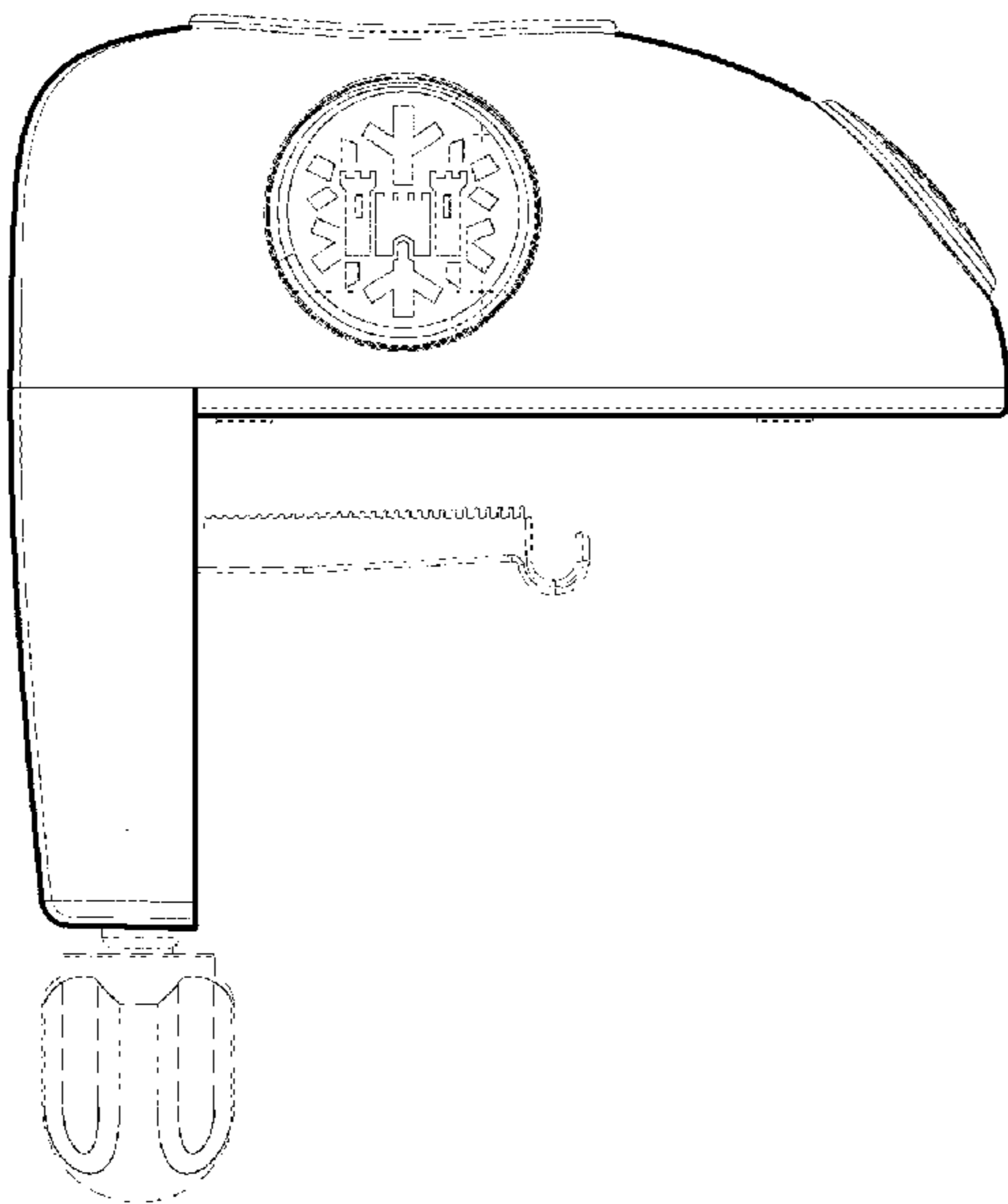
FIG. 3 is a front view thereof.

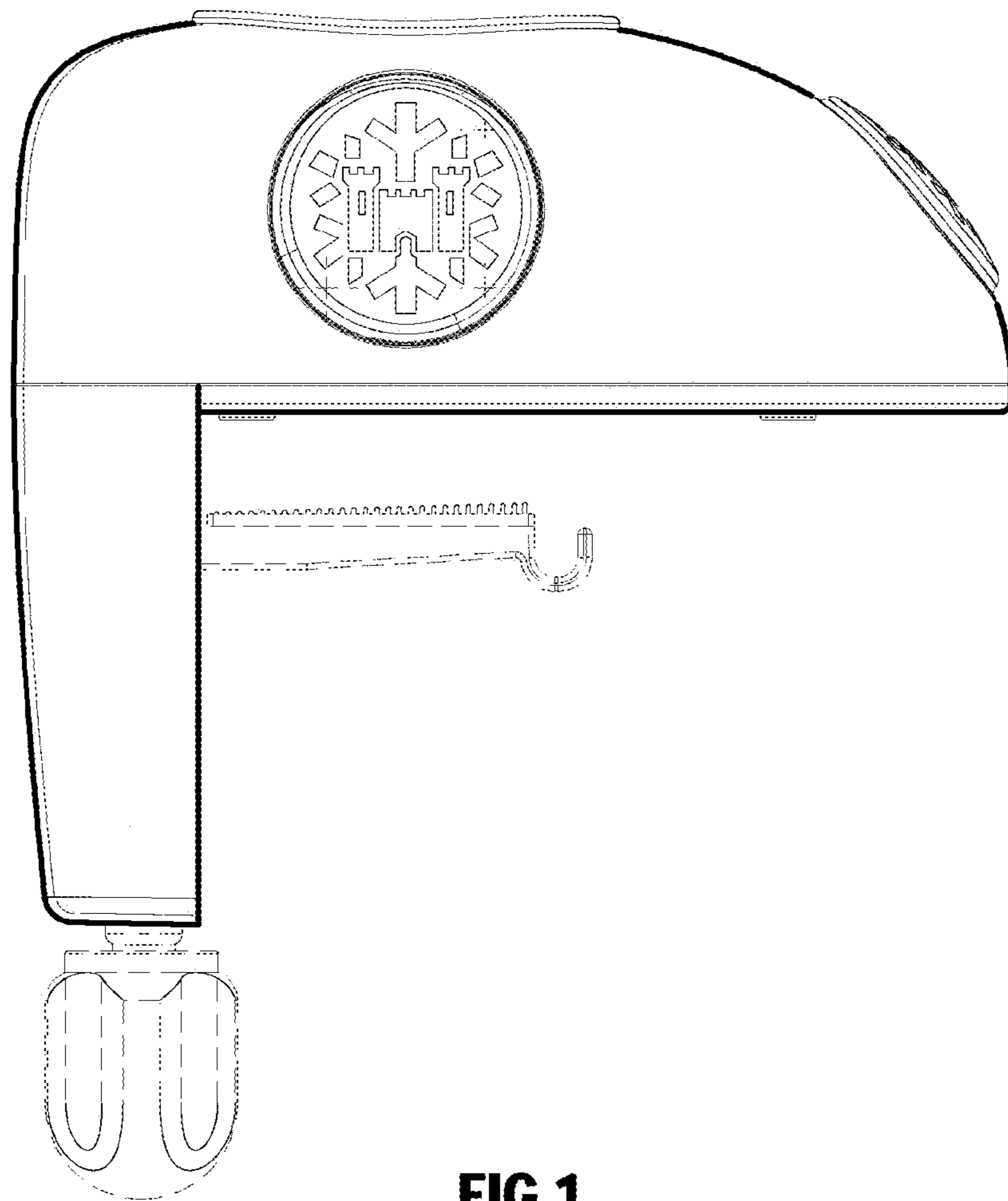
FIG. 4 is a rear view thereof; and,

FIG. 5 is a top plan view thereof.

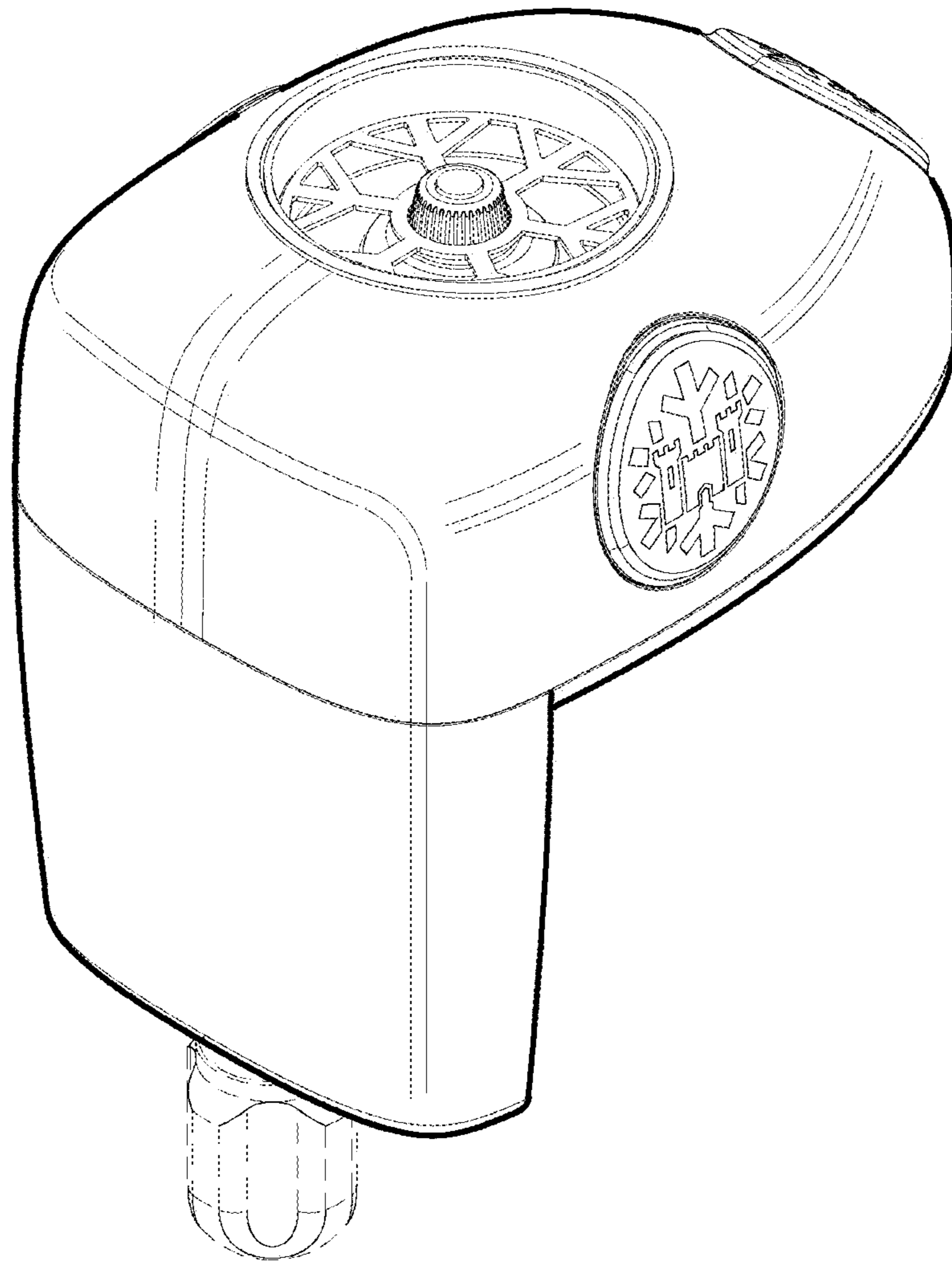
The broken line showing of the threaded member as best seen in FIG. 3, the snowflake emblem and any other broken lines are for illustrative purposes only and form no part of the claimed design.

**1 Claim, 5 Drawing Sheets**

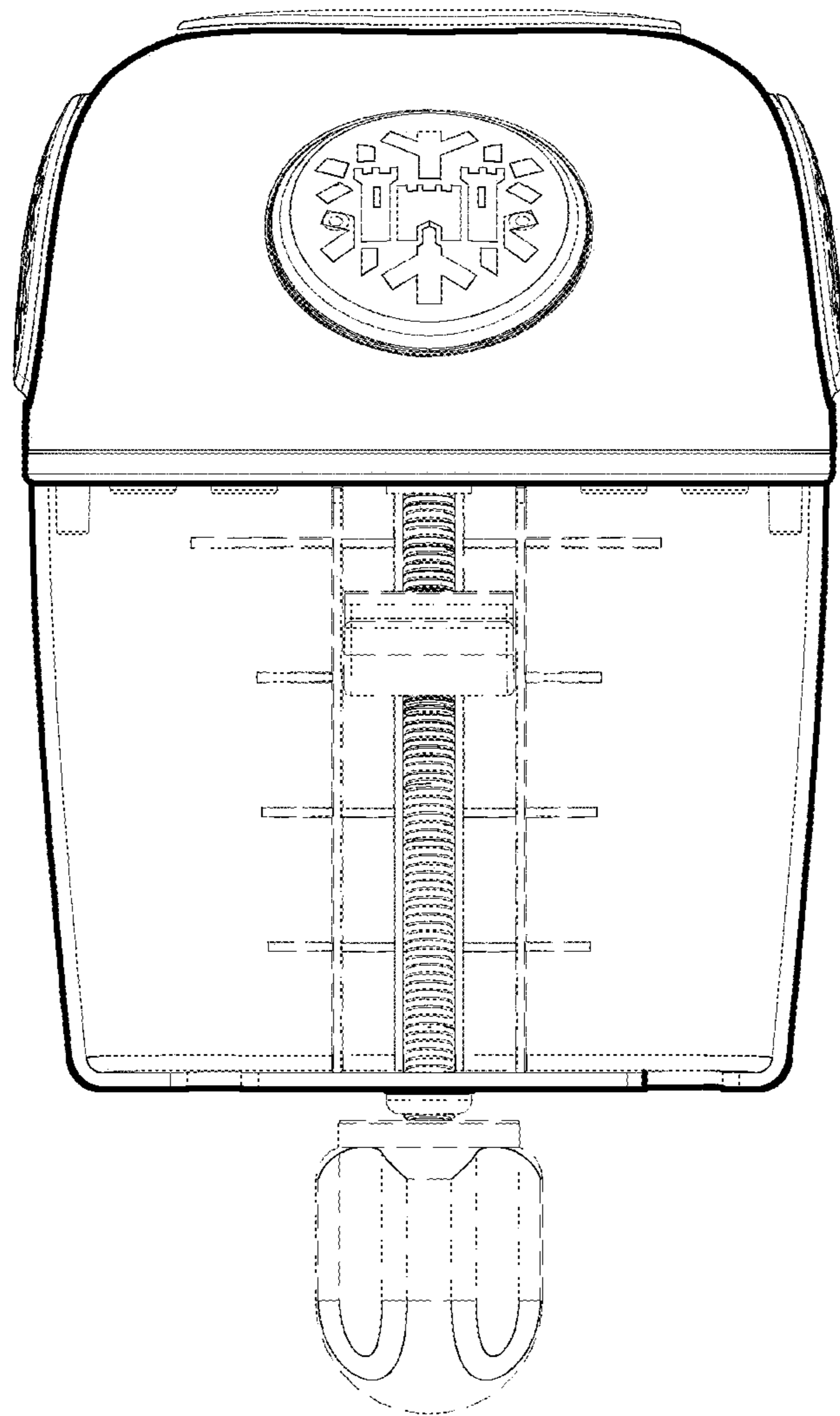




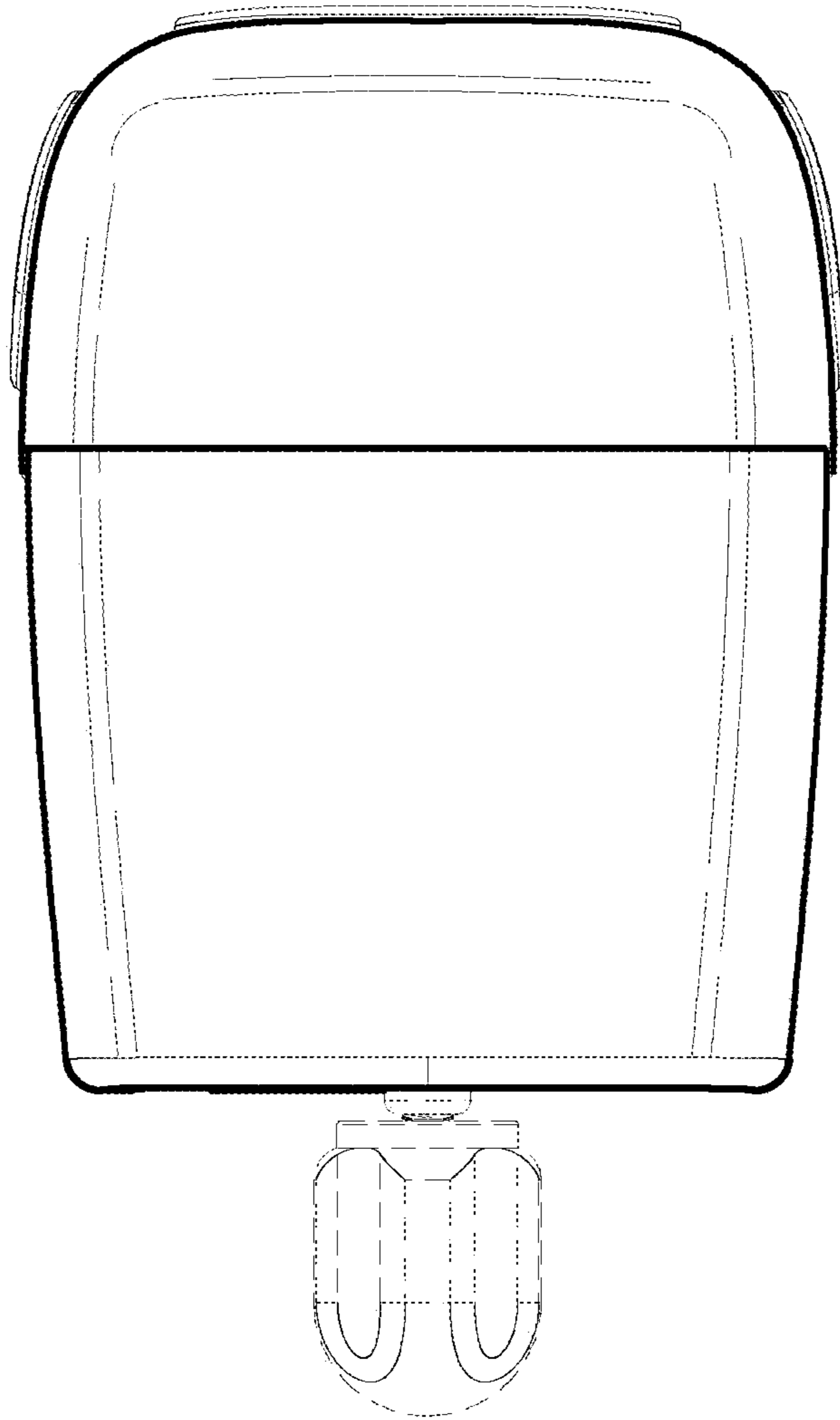
**FIG 1**



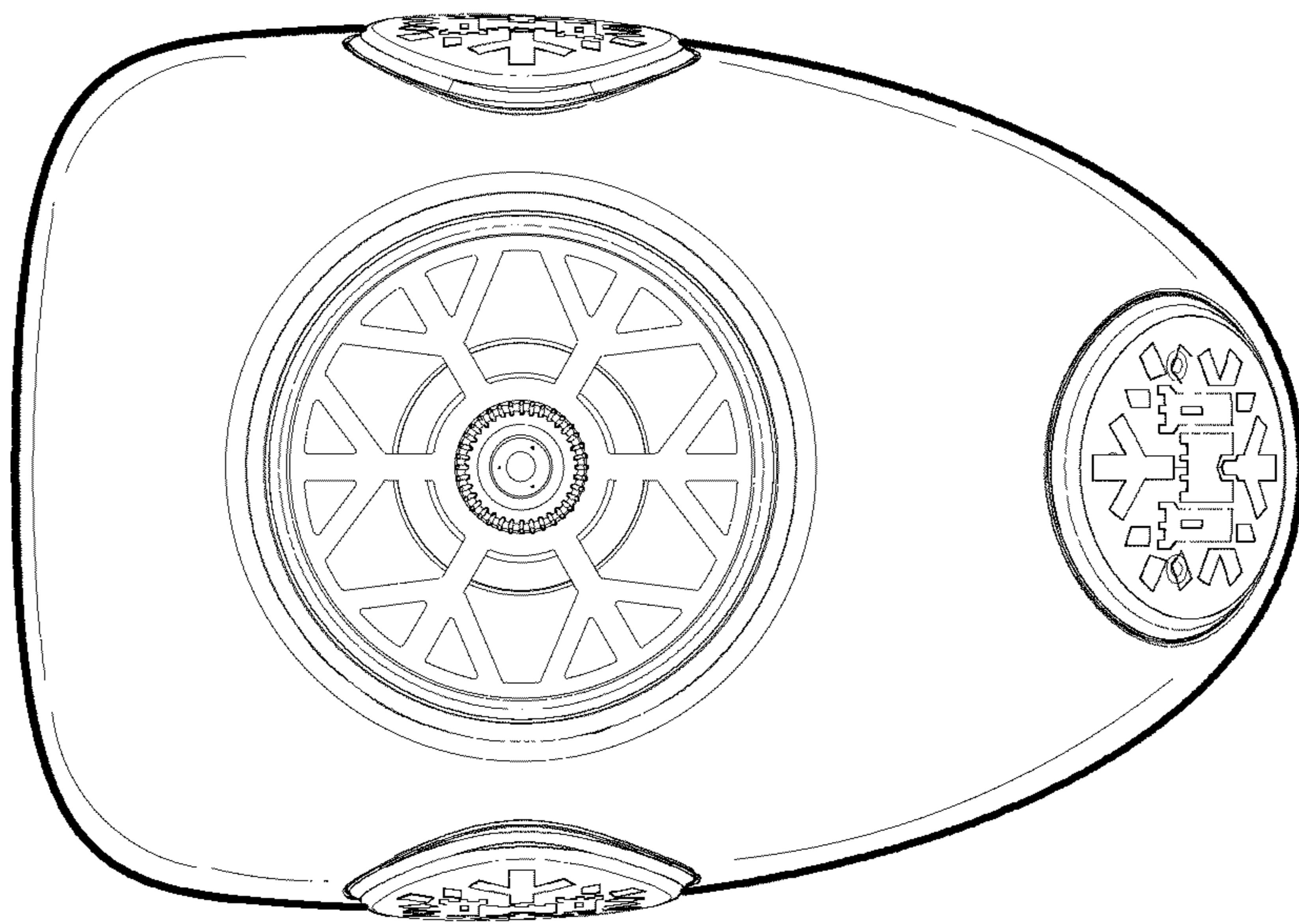
**FIG 2**



**FIG 3**



**FIG 4**



**FIG 5**