



US00D700471S

(12) **United States Design Patent**
Jozancy

(10) **Patent No.:** **US D700,471 S**
(45) **Date of Patent:** **** Mar. 4, 2014**

(54) **ELECTRIC FRYER**
(71) Applicant: **SEB, Selongey (FR)**
(72) Inventor: **Luc Jozancy, Sainte-Colombe (FR)**
(73) Assignee: **SEB, Selongey (FR)**
(**) Term: **14 Years**

5,469,782 A *	11/1995	Wong	99/644
D372,832 S *	8/1996	Wong	D7/323
D418,361 S *	1/2000	Utsugi	D7/354
D452,412 S *	12/2001	Jeong	D7/354
D604,092 S *	11/2009	Kotani	D7/354
D622,093 S *	8/2010	Reiner	D7/354
D638,251 S *	5/2011	Josancy	D7/354
7,993,694 B2 *	8/2011	Goderiaux et al.	426/438
D655,971 S *	3/2012	Reiner	D7/354
D664,801 S *	8/2012	Reiner	D7/354
2008/0213447 A1 *	9/2008	Payen et al.	426/438

(21) Appl. No.: **29/439,485**

(22) Filed: **Dec. 11, 2012**

(30) **Foreign Application Priority Data**

Jun. 13, 2012 (EM) 001330815-0001

(51) **LOC (10) Cl.** **07-02**

(52) **U.S. Cl.**
USPC **D7/354**

(58) **Field of Classification Search**
USPC D7/323, 329-332, 337-339, 346-347,
D7/350.1-350.4, 353-367, 391-395,
D7/402-406, 538, 542-543, 665;
99/324-325, 330-332, 337-348, 369,
99/366, 400-418, 422, 425, 438, 444,
99/483; 126/37 R, 41 R, 261, 378.1;
206/501-505, 507-508; 210/465-467;
219/387, 400, 405, 429-442, 452.11,
219/620-624, 725, 730-735; 220/314-315,
220/573.1-573.5, 592.16, 912; 426/438,
426/441

See application file for complete search history.

(56) **References Cited**

U.S. PATENT DOCUMENTS

4,942,807 A * 7/1990 Wong 99/348
D341,056 S * 11/1993 Powell D7/354

FOREIGN PATENT DOCUMENTS

BR	DI6904319-1	7/2010
BR	DI7103079-4	4/2012
CA	132458	8/2010
CA	140923	1/2012

(Continued)

Primary Examiner — Ricky Pham

(74) *Attorney, Agent, or Firm* — Loeb & Loeb LLP

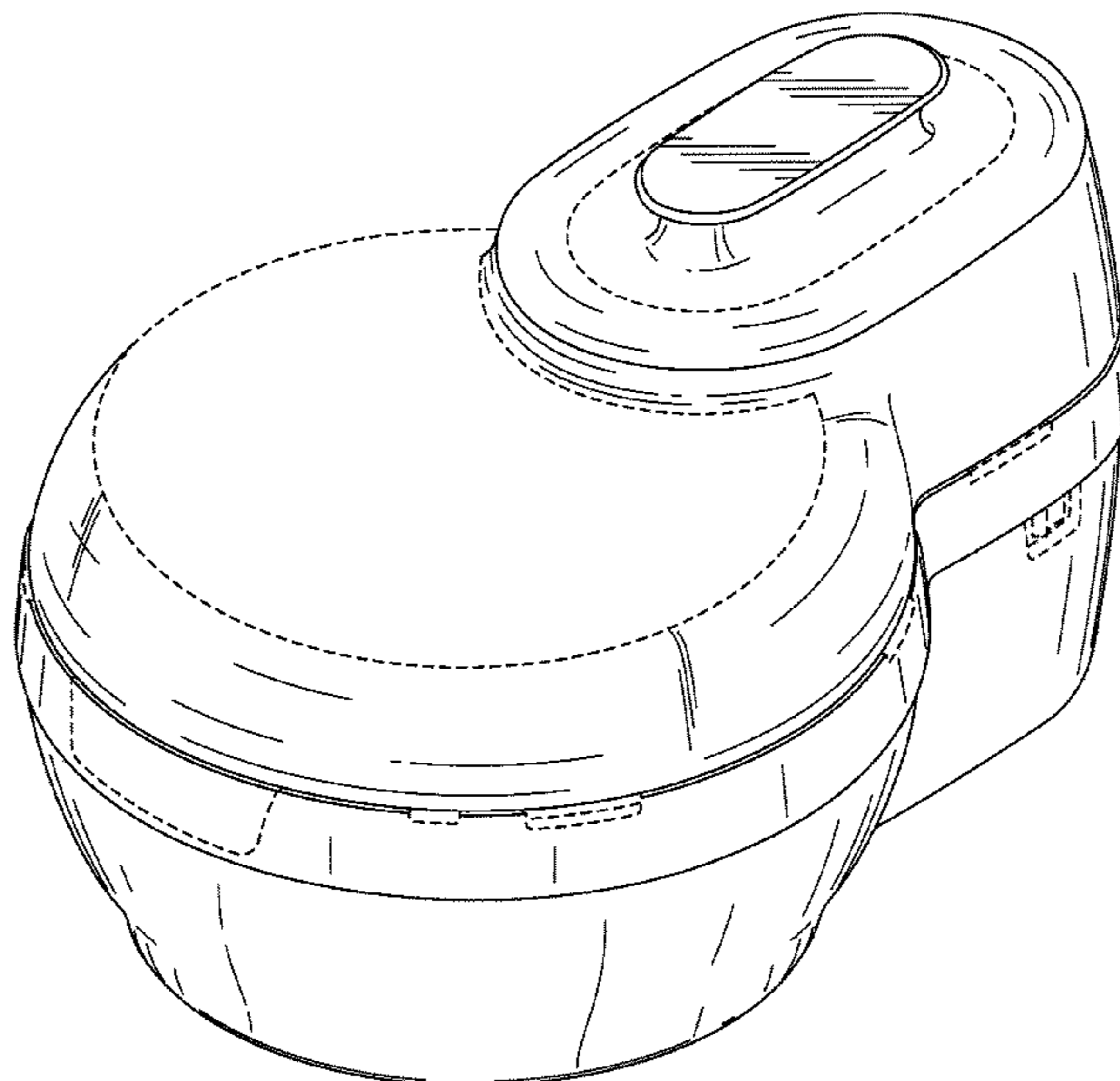
(57) **CLAIM**

The ornamental design for an electric fryer, as shown and described.

DESCRIPTION

FIG. 1 is a front elevational view of the electric fryer.
FIG. 2 is a back view of the electric fryer of FIG. 1.
FIG. 3 is a right side view of the electric fryer of FIG. 1.
FIG. 4 is a left side view of the electric fryer of FIG. 1.
FIG. 5 is a top view of the electric fryer of FIG. 1.
FIG. 6 is a bottom view of the electric fryer of FIG. 1; and,
FIG. 7 is a perspective view of the electric fryer of FIG. 1.
The broken lines appearing in the figures are for the purpose of illustrating the structure of the article of the claimed design and form no part of the claimed design.

1 Claim, 7 Drawing Sheets



(56)

References Cited

FOREIGN PATENT DOCUMENTS

CN	ZL 200630015113.5	5/2007
CN	ZL 200930193213.0	4/2010
CN	ZL 201130198632.0	11/2011
CN	ZL 201130198635.4	11/2011
CN	ZL 201130436071.3	5/2012
CN	ZL 201230622105.2	12/2012
CN	ZL 201230622099.0	4/2013
CN	ZL 201230645244.7	4/2013
EM	000512298-0001	4/2006
EM	0001162804-0001	9/2009
EM	001278931-0001	6/2011
EM	001278949-0001	6/2011

EM	001330815-0001	6/2012
EM	001333116-0001	7/2012
EM	002187088-0001	2/2013
FR	05 6340	2/2006
FR	09 2453	7/2009
FR	11 1074	4/2011
FR	11 1075	4/2011
RU	81139	3/2012
RU	81680	5/2012
SA	2194	4/2012
TR	2009-05410	11/2009
TR	2011-05305	8/2011
TR	2011-05307	8/2011
TR	2012-07819	4/2013

* cited by examiner

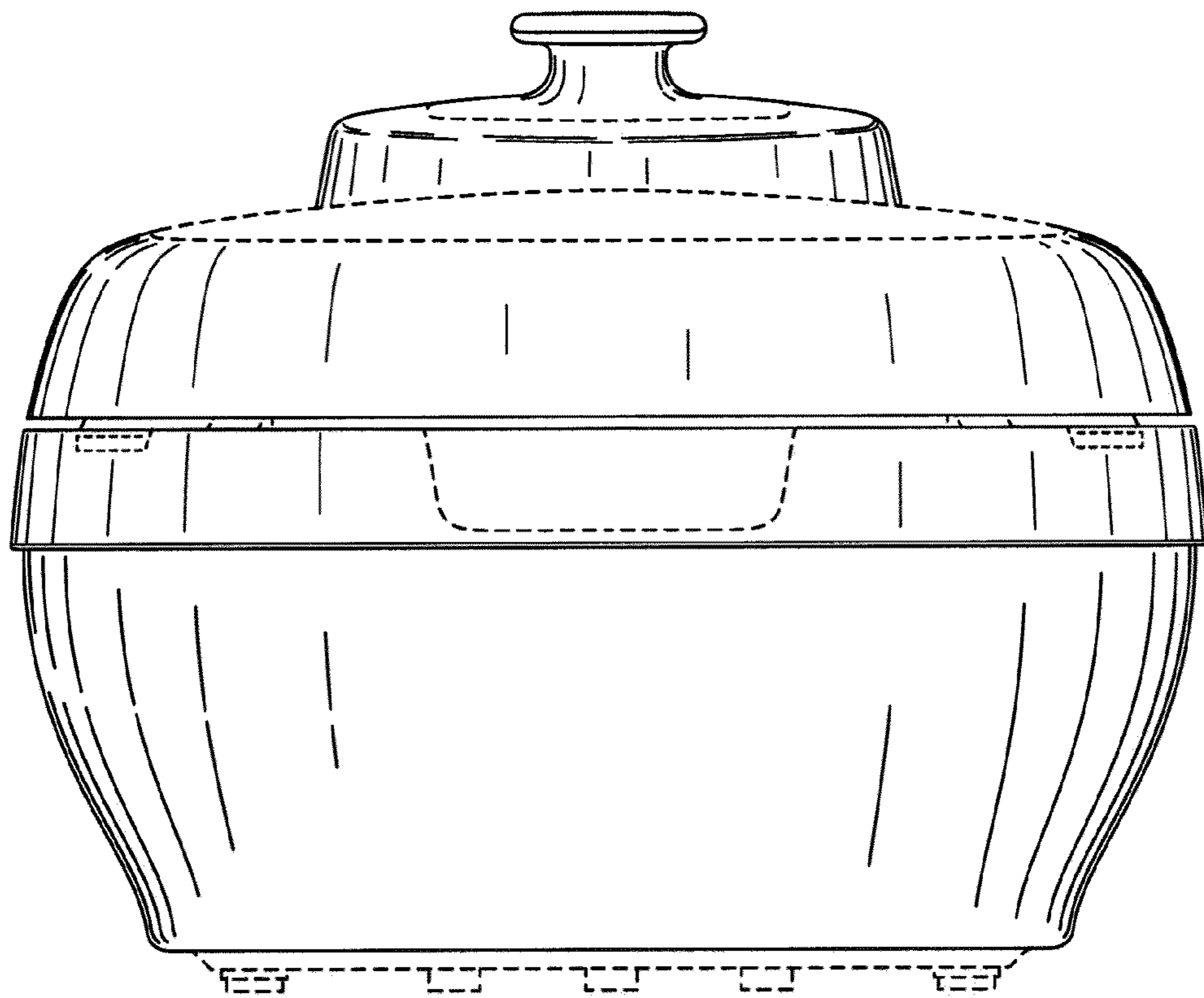


FIG. 1

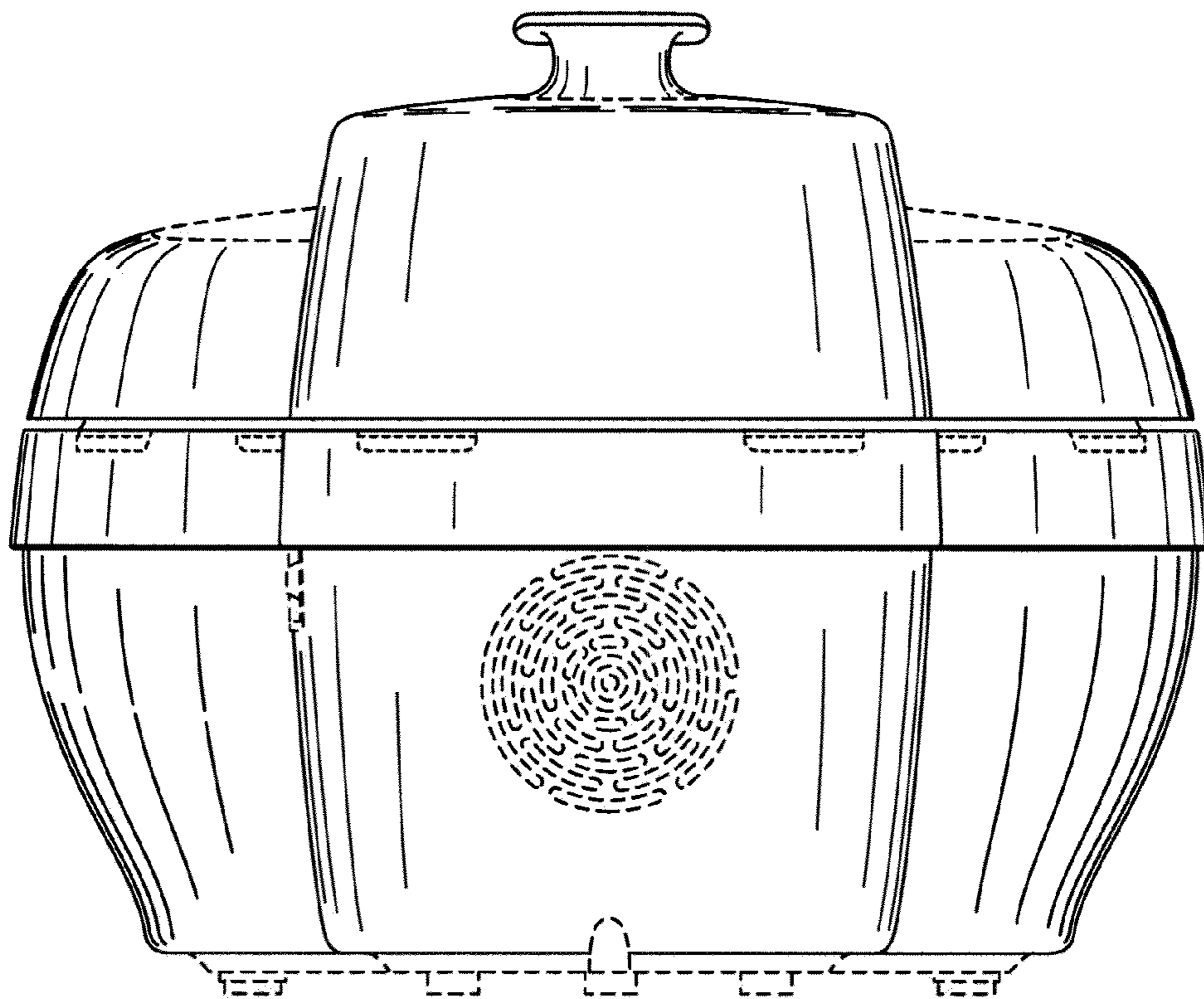


FIG. 2

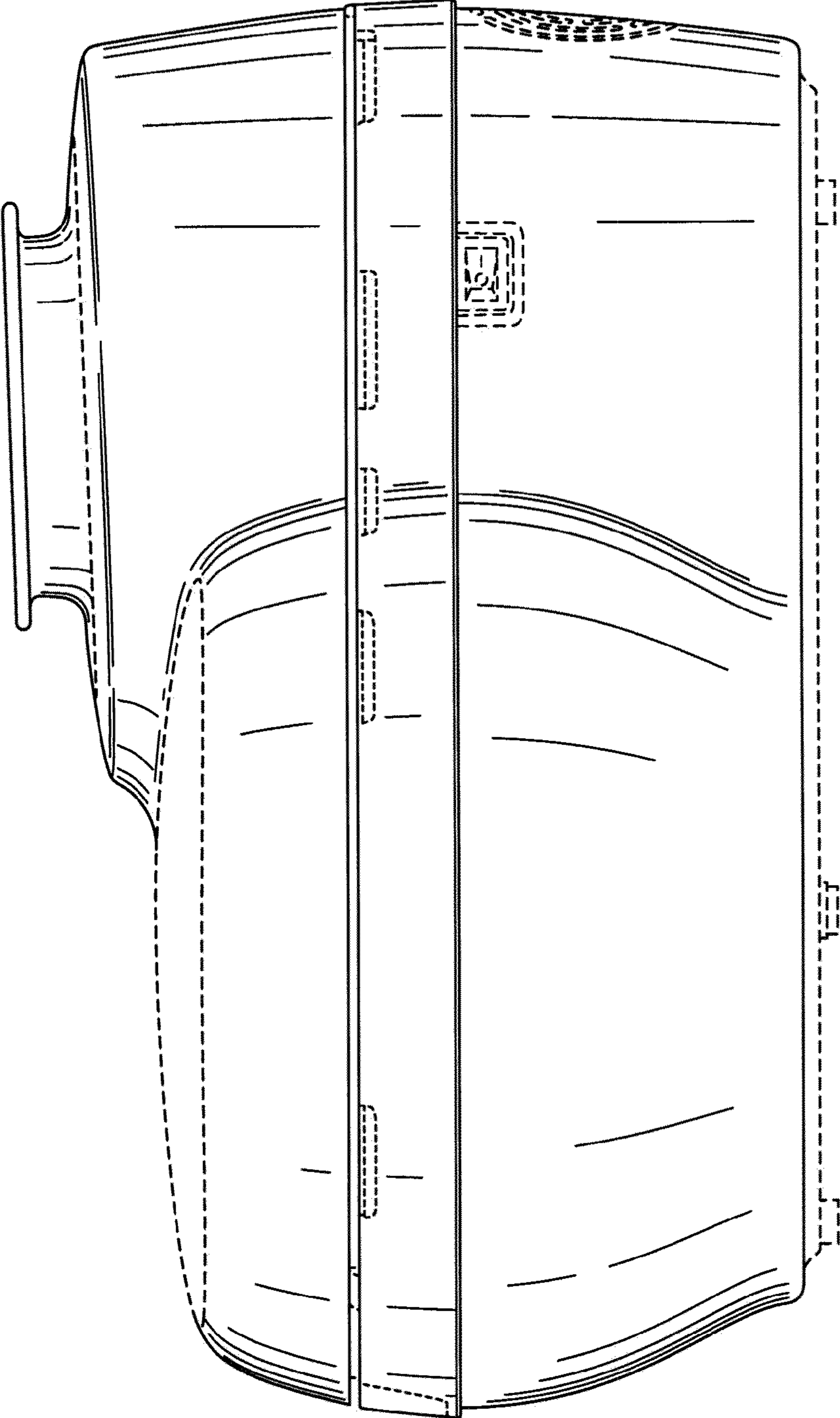


FIG. 3

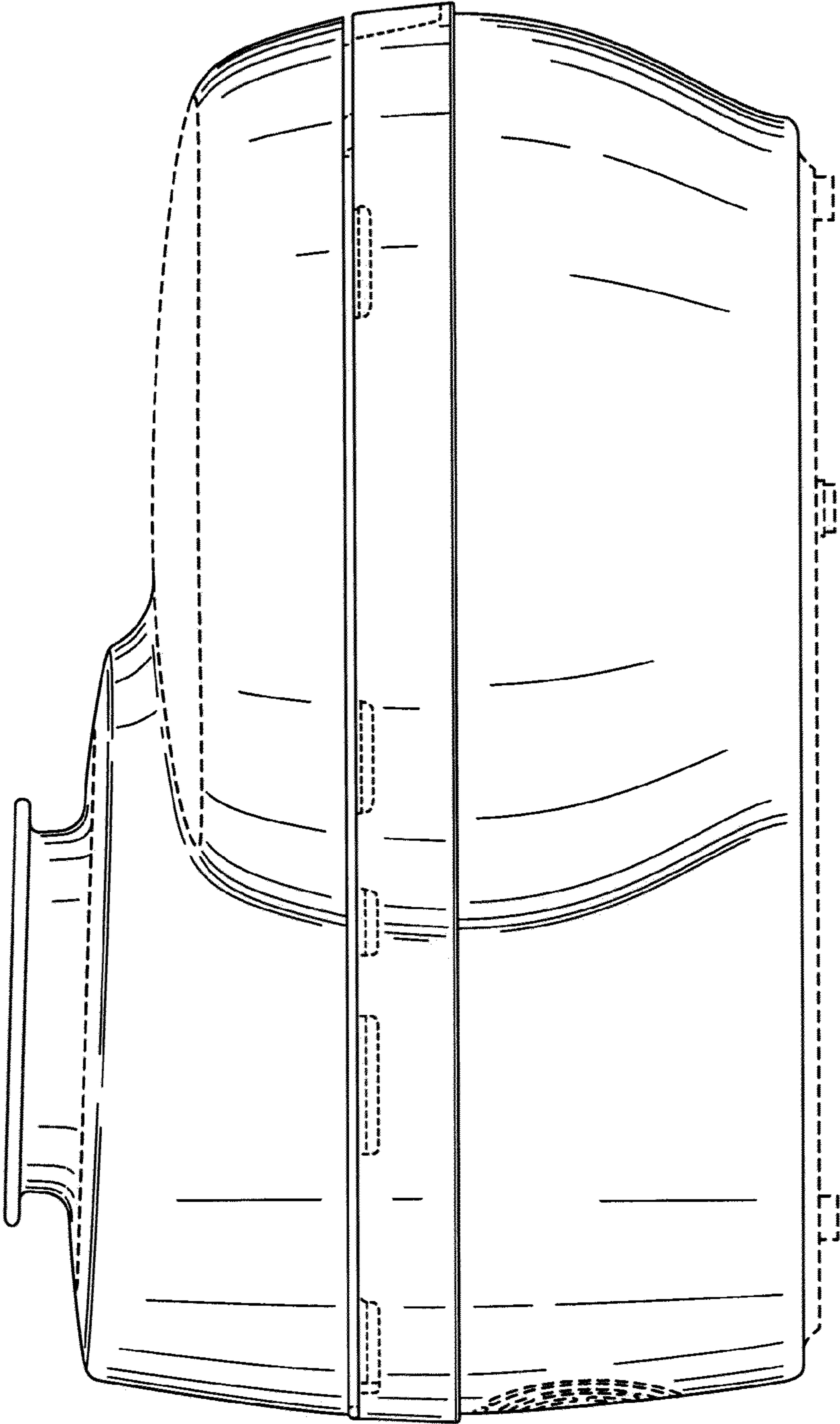


FIG. 4

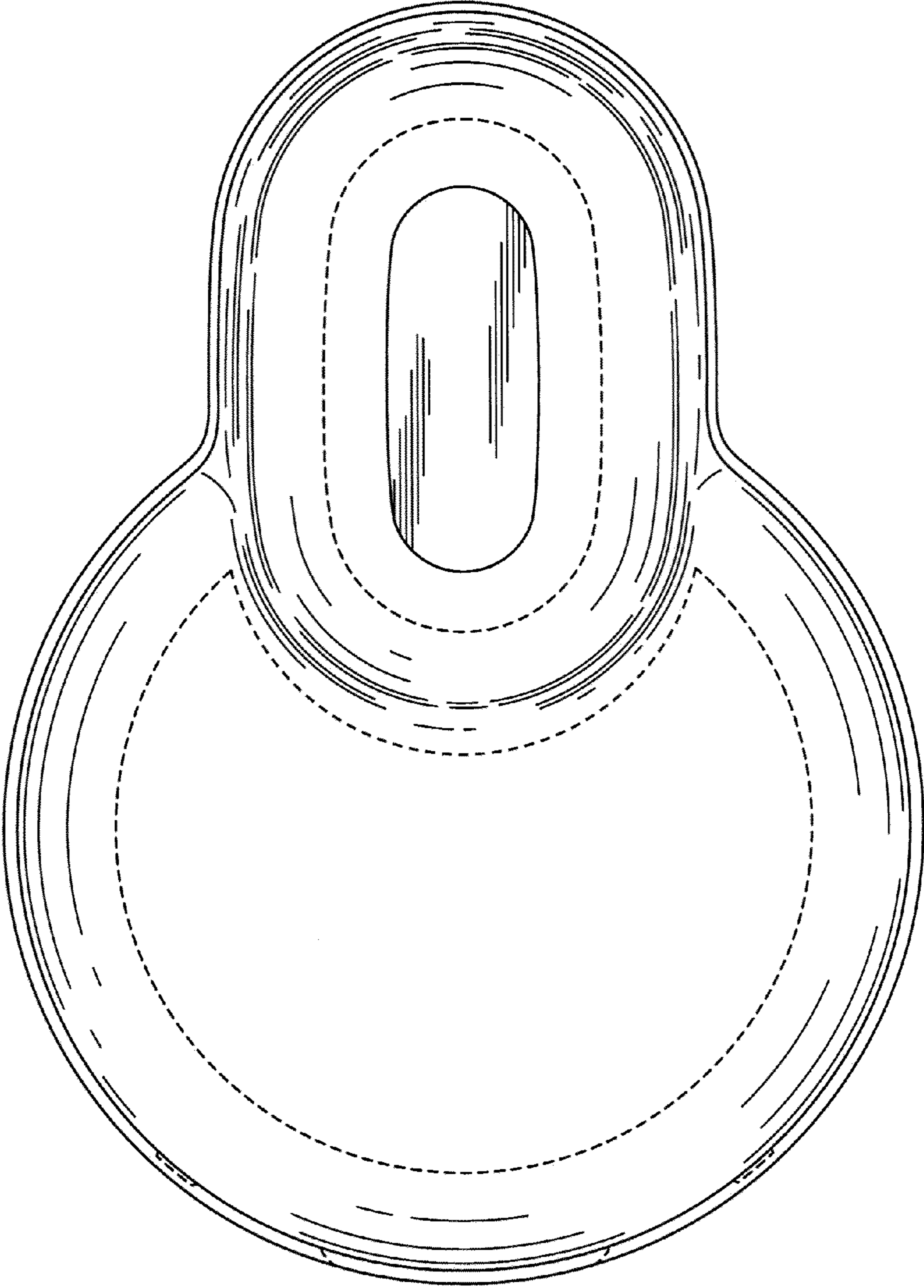


FIG. 5

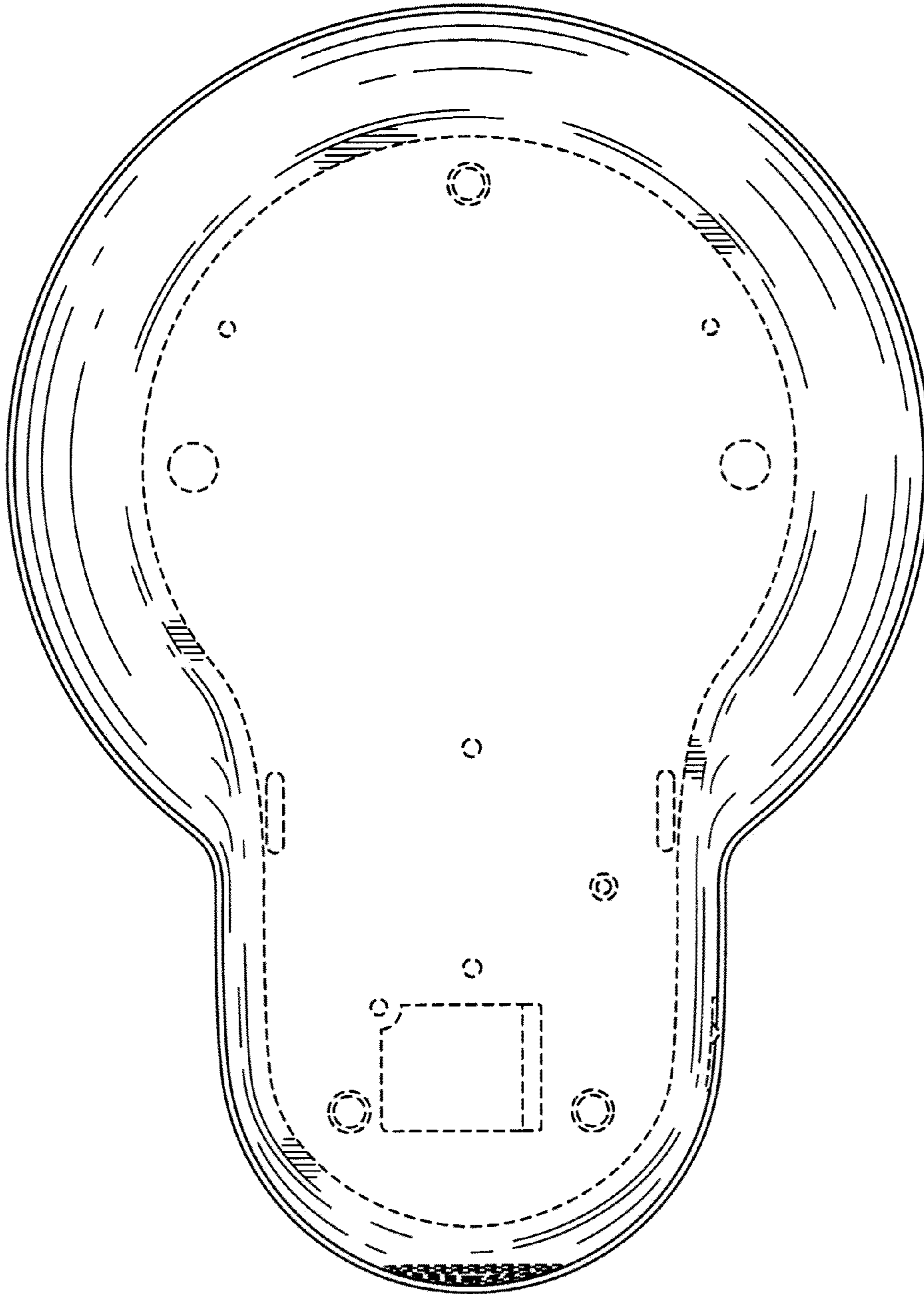


FIG. 6

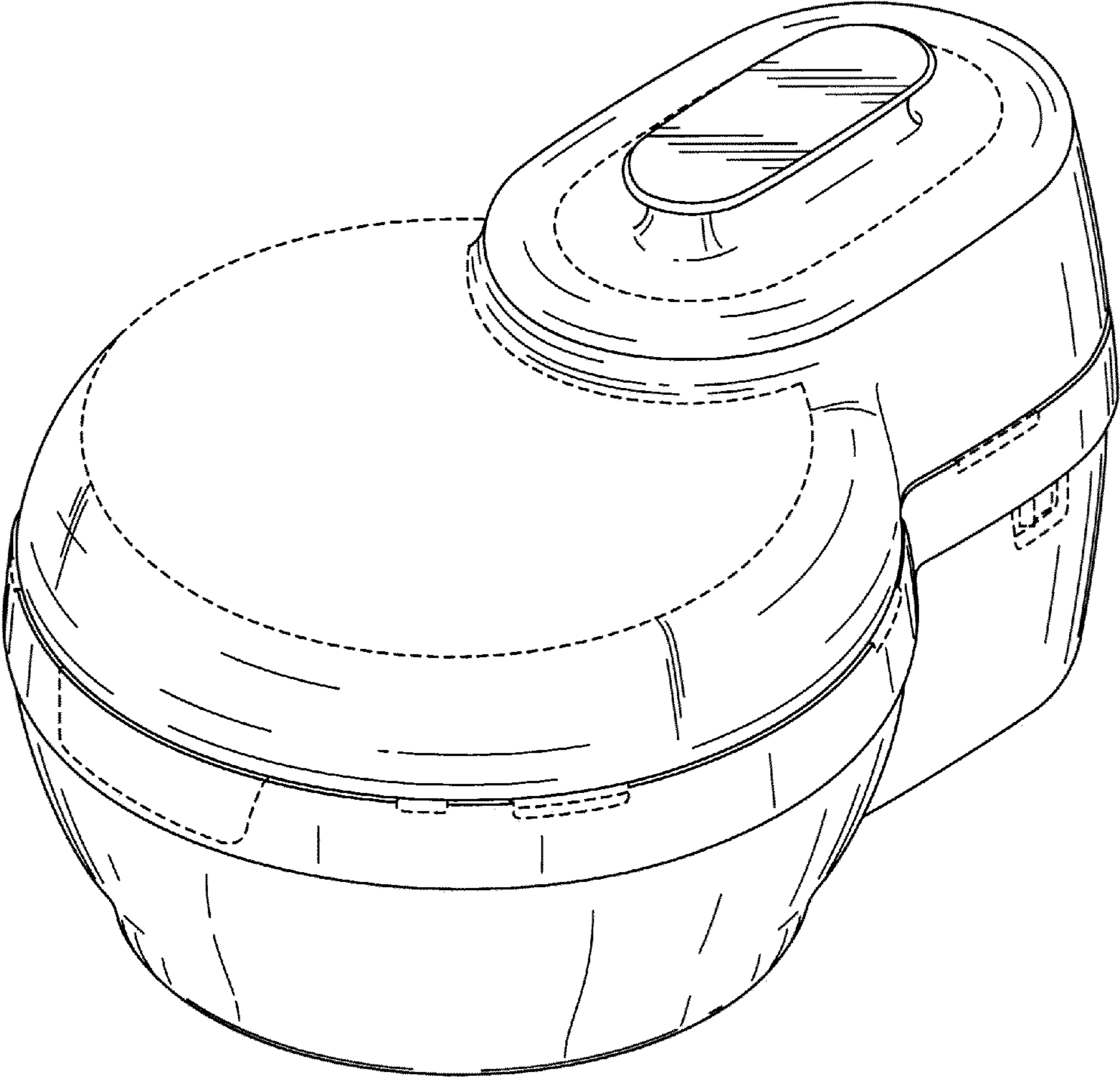


FIG. 7