



US00D700469S

(12) **United States Design Patent**
Reay et al.

(10) **Patent No.:** **US D700,469 S**
(45) **Date of Patent:** **** Mar. 4, 2014**

- (54) **GAS RANGE COOKER**
- (71) Applicants: **Haier Group Corporation**, Qingdao (CN); **Qingdao Haier Dishwasher Co., Ltd.**, Qingdao (CN)
- (72) Inventors: **Malcolm Reay**, St. Joseph, MI (US); **Shiyong Lv**, Qingdao (CN)
- (73) Assignees: **Haier Group Corporation**, Qingdao (CN); **Qingdao Haier Dishwasher Co., Ltd.**, Qingdao (CN)

D530,971 S *	10/2006	Kim	D7/340
D530,972 S *	10/2006	Park, II	D7/340
D542,079 S *	5/2007	Kim	D7/340
D560,955 S *	2/2008	Shin et al.	D7/340
D564,282 S *	3/2008	Suh et al.	D7/340
D580,225 S *	11/2008	Geiger et al.	D7/408
D585,241 S *	1/2009	Geiger et al.	D7/408
D604,987 S *	12/2009	Jung et al.	D7/348
D610,863 S *	3/2010	Kim et al.	D7/340
D617,133 S *	6/2010	Grey et al.	D7/340
D685,602 S *	7/2013	Lee	D7/340
2004/0200825 A1 *	10/2004	Ahuja	219/446.1
2005/0161037 A1 *	7/2005	Rummel et al.	126/211

* cited by examiner

(**) Term: **14 Years**

Primary Examiner — Caron D Veynar

(21) Appl. No.: **29/455,198**

Assistant Examiner — Martie K Holtje

(22) Filed: **May 17, 2013**

(74) *Attorney, Agent, or Firm* — Fish & Associates, PC

(51) **LOC (10) Cl.** **07-02**

(52) **U.S. Cl.**
USPC **D7/340; D7/346**

(58) **Field of Classification Search**
USPC D7/323, 339, 340, 341, 342, 346, 347, D7/348, 349, 402, 405, 406, 407, 408, D7/409; 126/1 R, 19 R, 39 R, 41 R, 211, 126/273 R, 198, 152 R; 219/446.1, 538, 552
See application file for complete search history.

(57) **CLAIM**

The ornamental design for a gas range cooker, as shown and described.

DESCRIPTION

FIG. 1 is a top, right front perspective view of a gas range cooker showing our new design;
FIG. 2 is a front elevational view thereof;
FIG. 3 is a top plan view thereof; and,
FIG. 4 is a left side elevational view, the right side elevational view being a mirror image thereof.
The structure depicted with broken lines in the FIG. 2 view has been shown for the purpose of illustrating a portion of the claimed gas range cooker that forms no part of the claimed design.

(56) **References Cited**

U.S. PATENT DOCUMENTS

5,038,748 A *	8/1991	Lockwood et al.	126/19 R
D378,262 S *	3/1997	Sparks	D7/408
6,712,065 B2 *	3/2004	Rummel et al.	126/211
D495,924 S *	9/2004	Becker et al.	D7/408

1 Claim, 4 Drawing Sheets

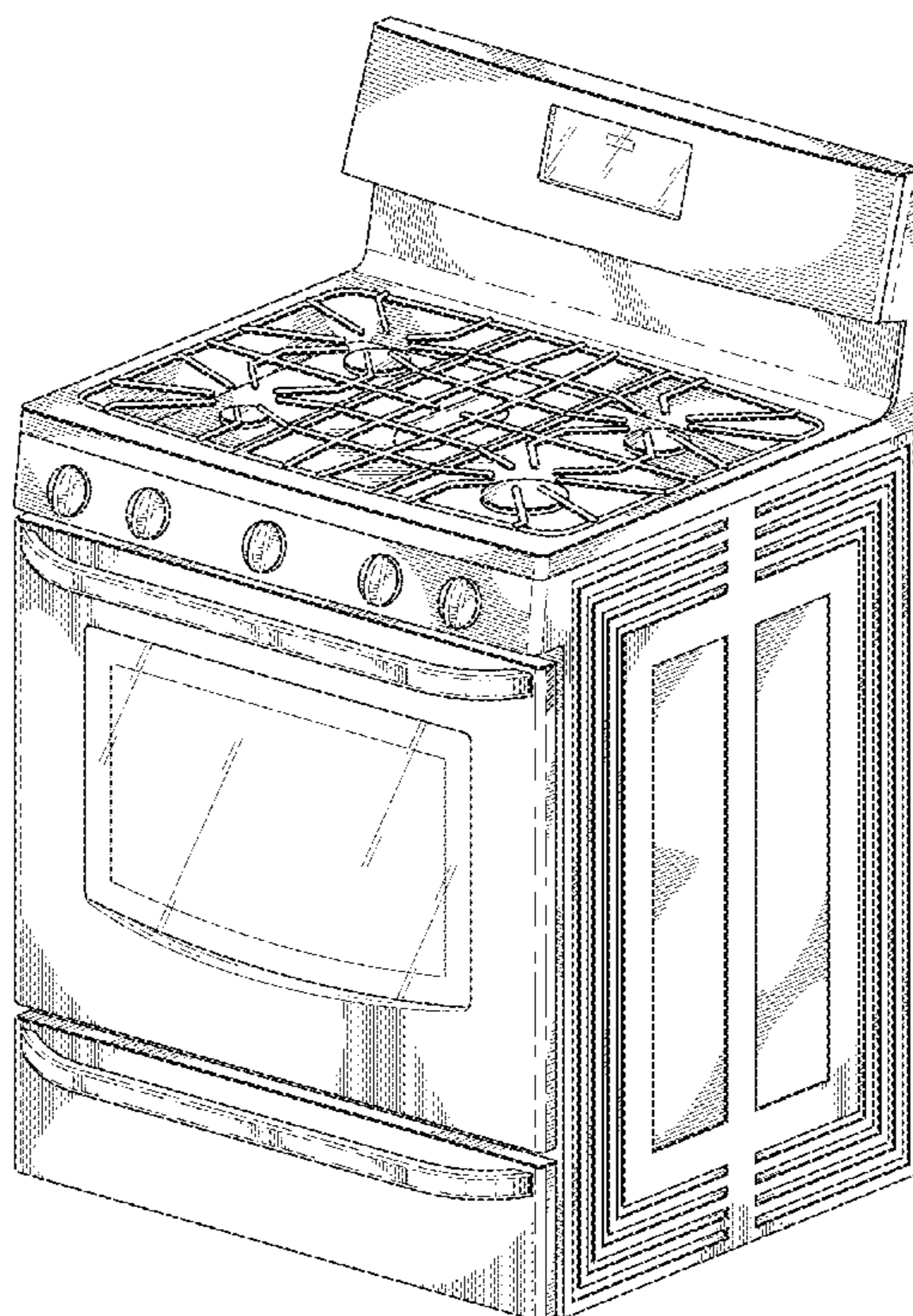
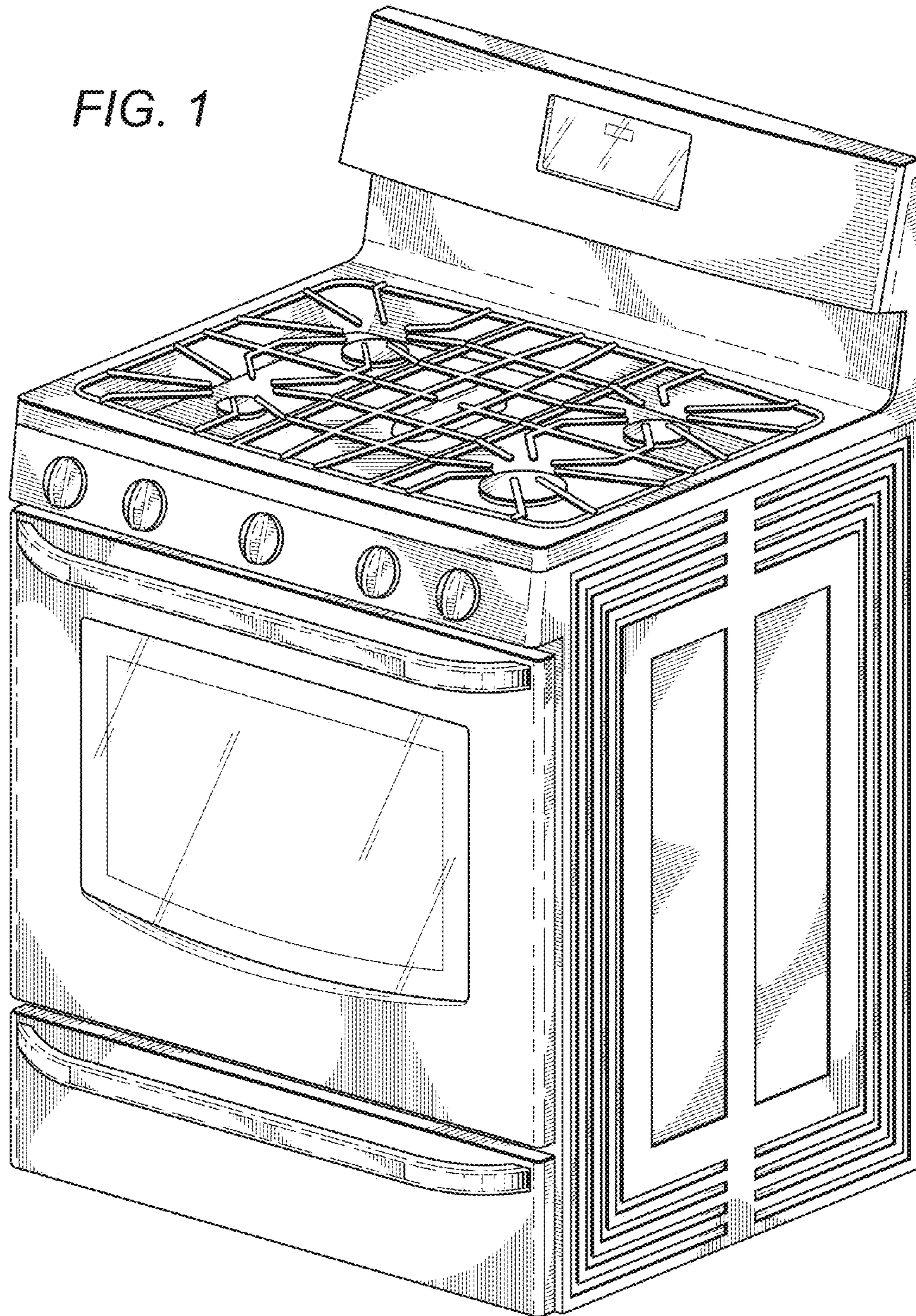


FIG. 1



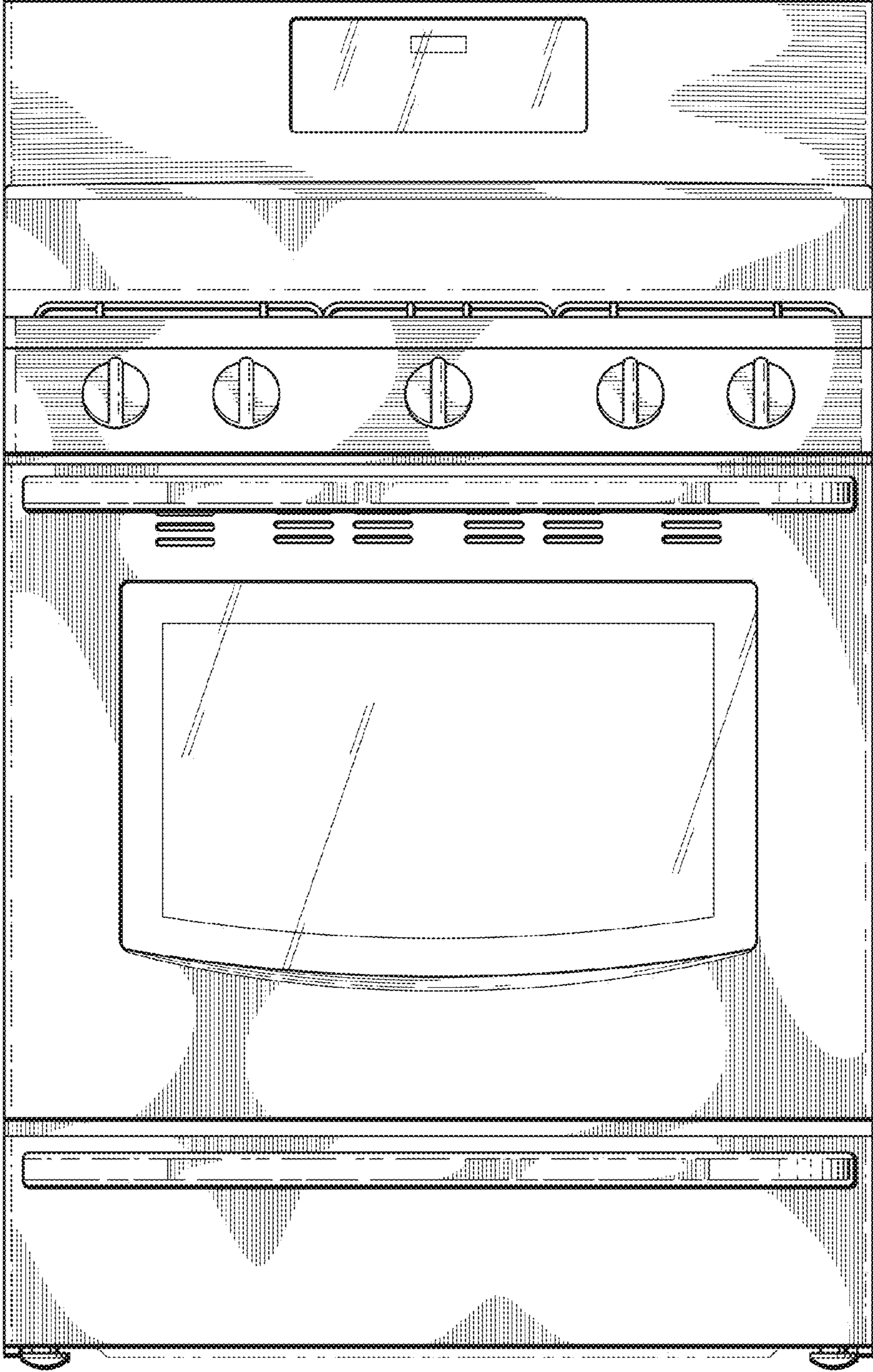


FIG. 2

FIG. 3

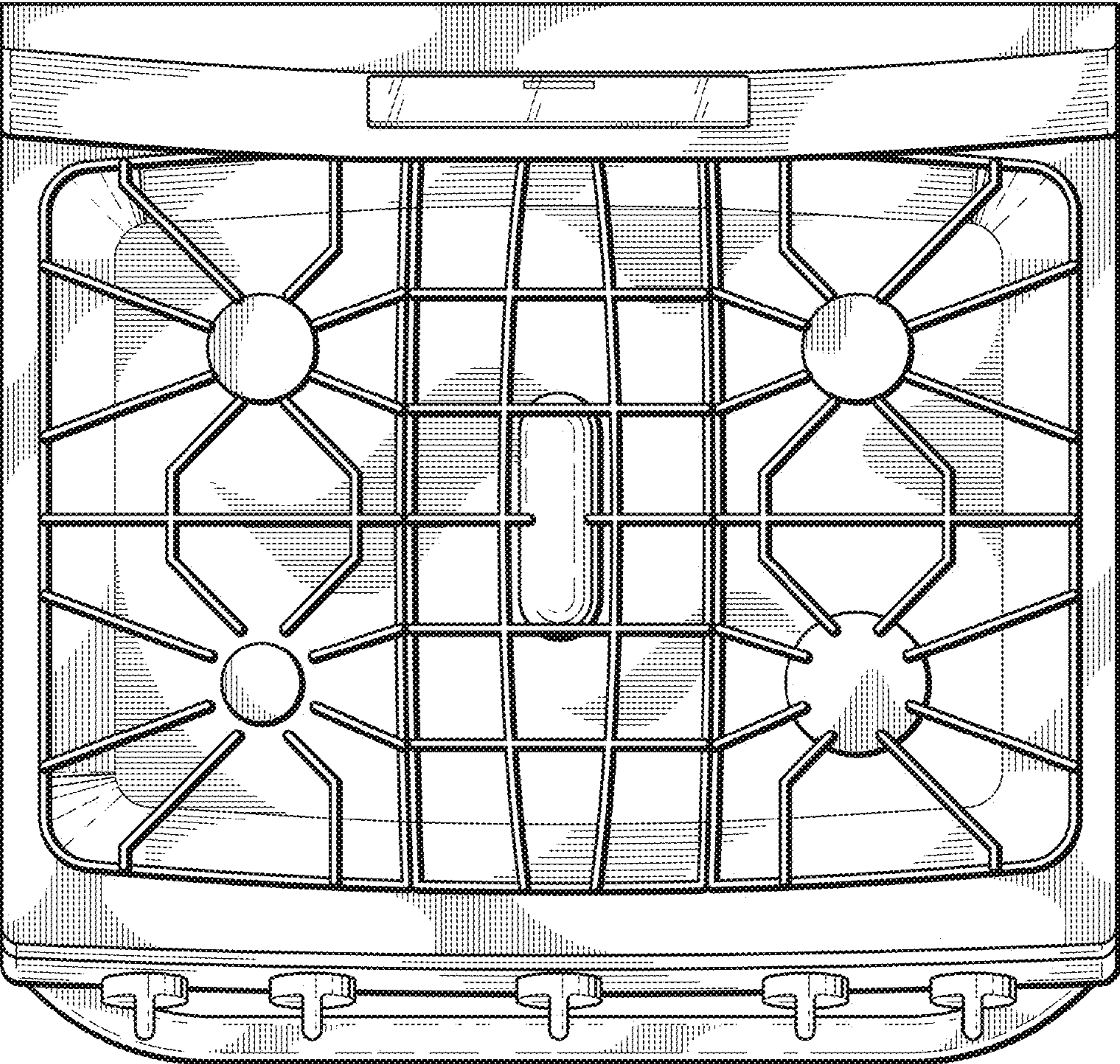


FIG. 4

