



US00D700460S

(12) **United States Design Patent**
Bovay et al.

(10) **Patent No.:** **US D700,460 S**
(45) **Date of Patent:** **** Mar. 4, 2014**

(54) **SCREEN**

(74) *Attorney, Agent, or Firm* — Ray Meiers

(71) Applicants: **Linda Bovay**, Highland, MI (US);
Vickie Childers, Grand Blanc, MI (US)

(57) **CLAIM**
We claim the ornamental design for a screen, as shown and described.

(72) Inventors: **Linda Bovay**, Highland, MI (US);
Vickie Childers, Grand Blanc, MI (US)

(**) Term: **14 Years**

DESCRIPTION

(21) Appl. No.: **29/441,462**

FIG. 1 is a front perspective view of the screen mounted on a chair, wherein two horizontal straps and a vertical strap are connected together;

(22) Filed: **Jan. 4, 2013**

FIG. 2 is a rear perspective view of the screen mounted on the chair, wherein two, vertically-arranged tensioning straps are disconnected from respective sets of mating strips mounted on a main panel of the screen;

(51) **LOC (10) Cl.** **06-13**

(52) **U.S. Cl.**

USPC **D6/611**

(58) **Field of Classification Search**

USPC D6/610, 611, 596, 601, 602, 603, 615,
D6/617, 621; D7/332, 334-337;
D12/401-405; 135/87, 88.01, 95;
150/165-167, 158, 154; 280/770;
296/136.01, 136.1, 136.11

See application file for complete search history.

FIG. 3 is a front planar view of the screen, wherein the two horizontal straps and the vertical straps are disconnected from one another; wherein either hook or loop fasteners are shown arranged on strips mounted on one of the horizontal straps and on the vertical strap;

FIG. 4 is a front planar view of the screen, wherein the two horizontal straps and the vertical straps are connected together;

(56) **References Cited**

U.S. PATENT DOCUMENTS

2,288,469 A	6/1942	Lookholder	
2,557,279 A	6/1951	Greenberg	
5,075,897 A	12/1991	Daniels	
5,339,748 A	8/1994	Bilotti	
5,666,679 A	9/1997	Ruddy	
D411,703 S	6/1999	France	
D425,357 S	5/2000	Waring	
D428,296 S	7/2000	Kelldorf	
6,170,100 B1	1/2001	Le Gette et al.	
6,178,979 B1	1/2001	Galloway	
D496,322 S *	9/2004	Farney et al.	D12/401
D530,559 S	10/2006	Fails	
D545,106 S	6/2007	Hourihan	
D575,568 S	8/2008	Chen et al.	
D603,201 S *	11/2009	Corle	D6/611

(Continued)

FIG. 5 is a rear planar view of the screen, wherein the two, vertically-arranged tensioning straps are connected to respective sets of mating strips mounted on the main panel of the screen;

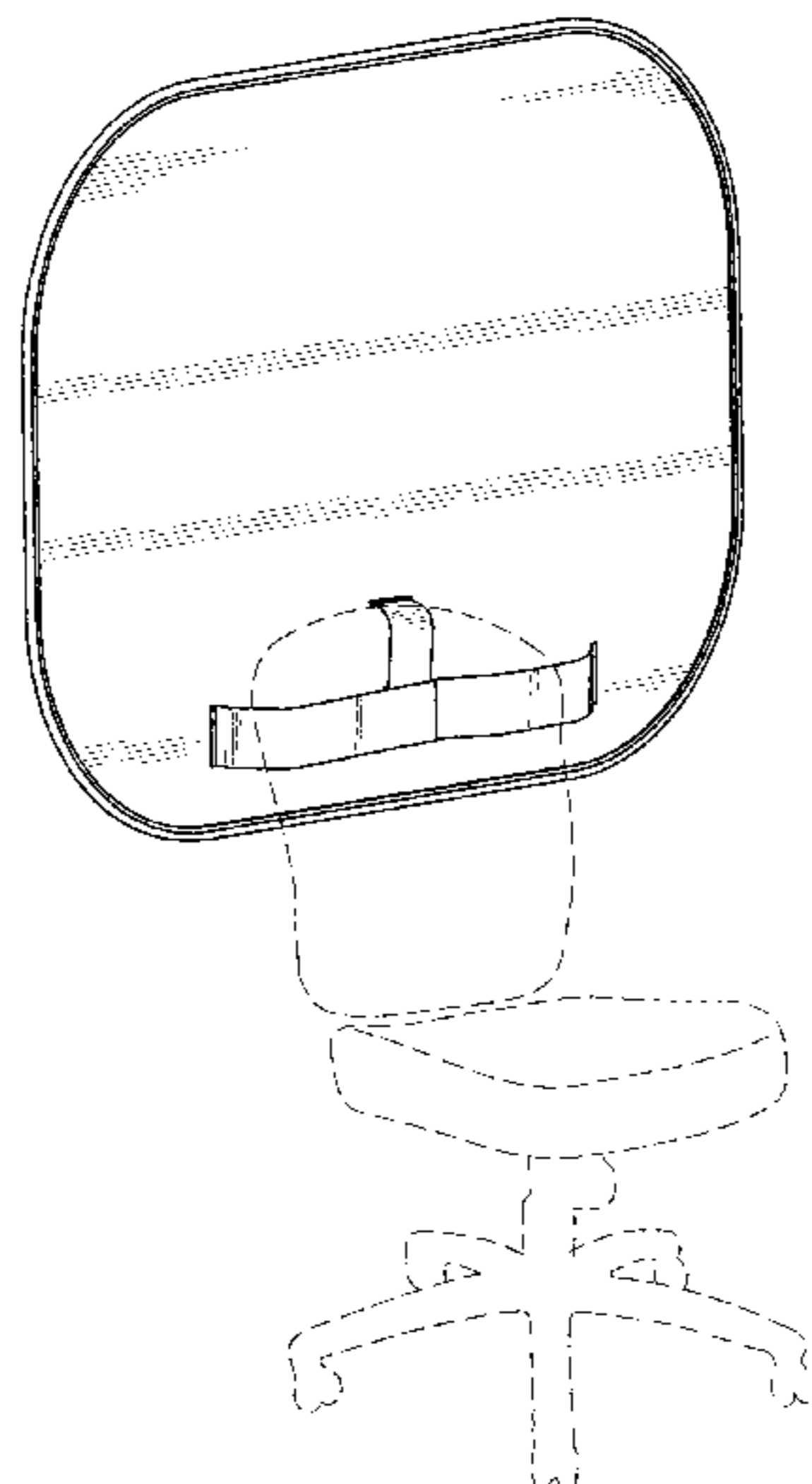
FIG. 6 is a rear planar view of the screen, wherein the two, vertically-arranged tensioning straps are connected respective sets of mating strips mounted on the main panel of the screen; and,

FIG. 7 is a section taken along section lines 7-7 in FIG. 3. The screen is useful for mounting on a chair. When the person sitting on the chair in front of a webcam, the screen an block the view behind the person. The tensioning straps on the back can be selectively engaged and disengaged with mating strips to enhance the degree that the screen retains a vertical orientation.

In the drawings, the broken lines in FIGS. 1 and 2 depict a chair and form no part of the claimed design.

Primary Examiner — Katrina A Betton

1 Claim, 7 Drawing Sheets



US D700,460 S

Page 2

(56)

References Cited

U.S. PATENT DOCUMENTS

D634,152 S * 3/2011 Natkin D6/611
D648,587 S * 11/2011 Rice Golin D6/611
D648,588 S * 11/2011 Rice Golin D6/611

D648,589 S * 11/2011 Rice Golin D6/611
D648,590 S * 11/2011 Rice Golin D6/611
D661,937 S * 6/2012 Rice Golin D6/611
D673,803 S * 1/2013 Paron D6/611
D675,469 S * 2/2013 Glowner D6/611

* cited by examiner

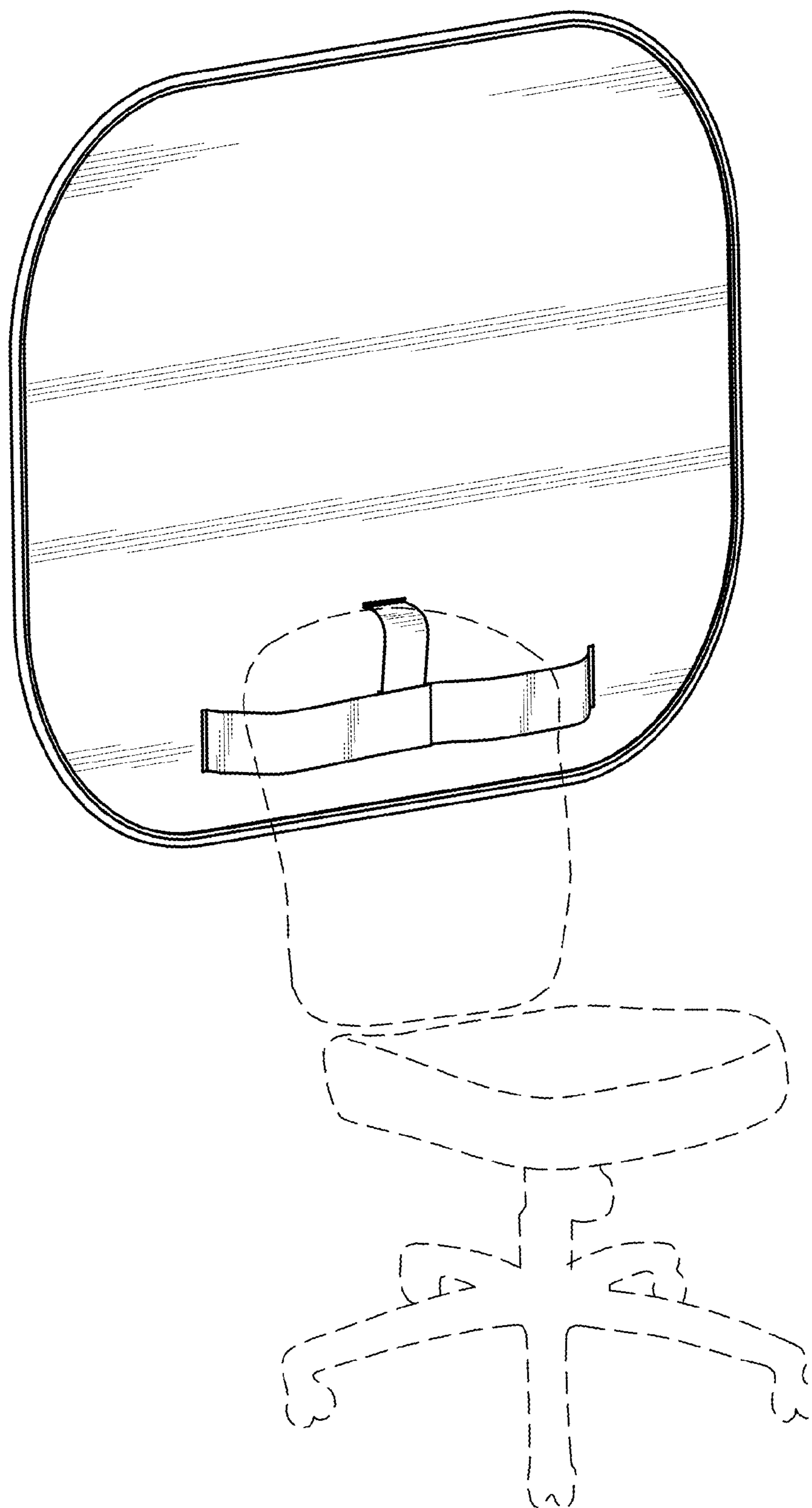


FIG. 1

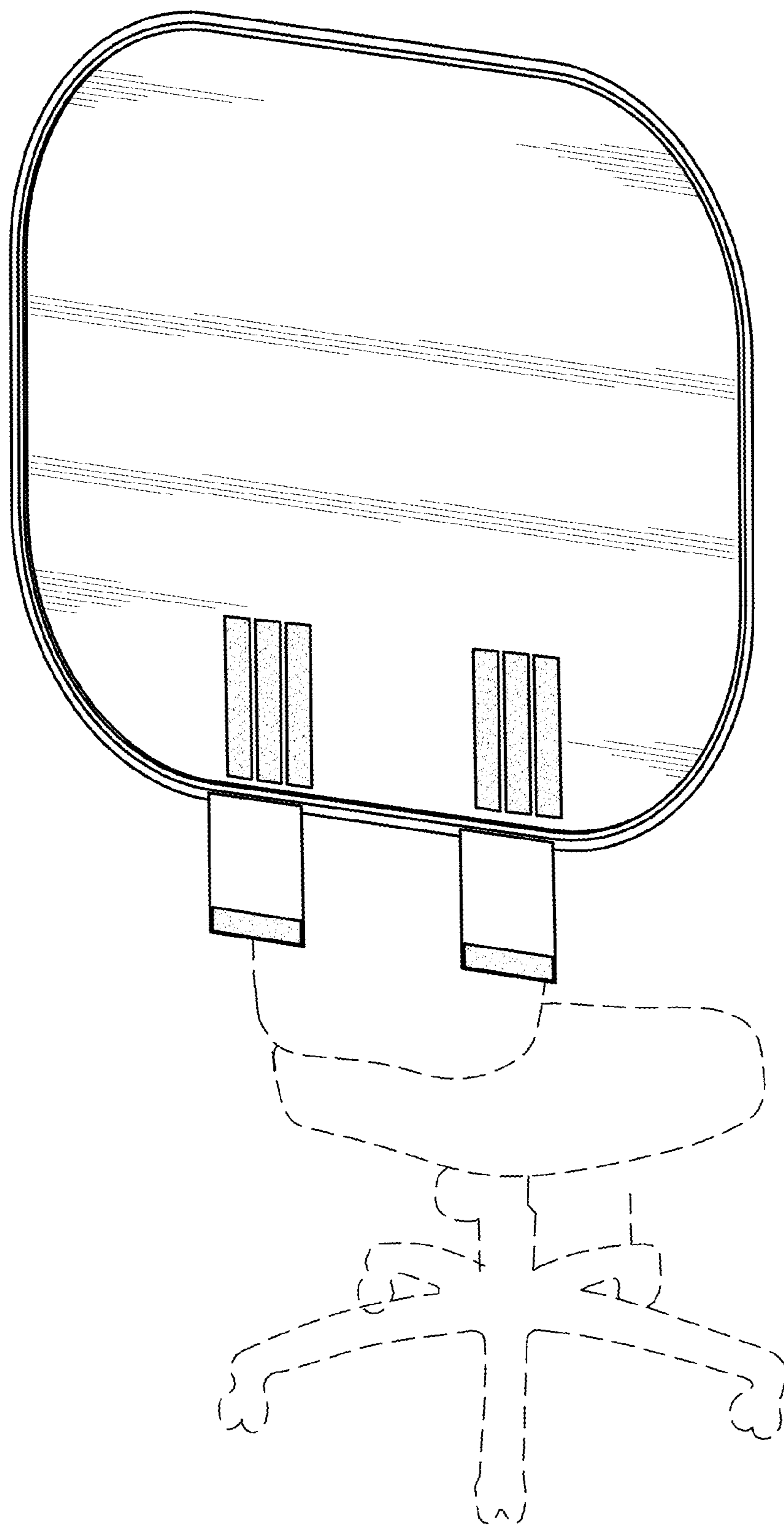


FIG. 2

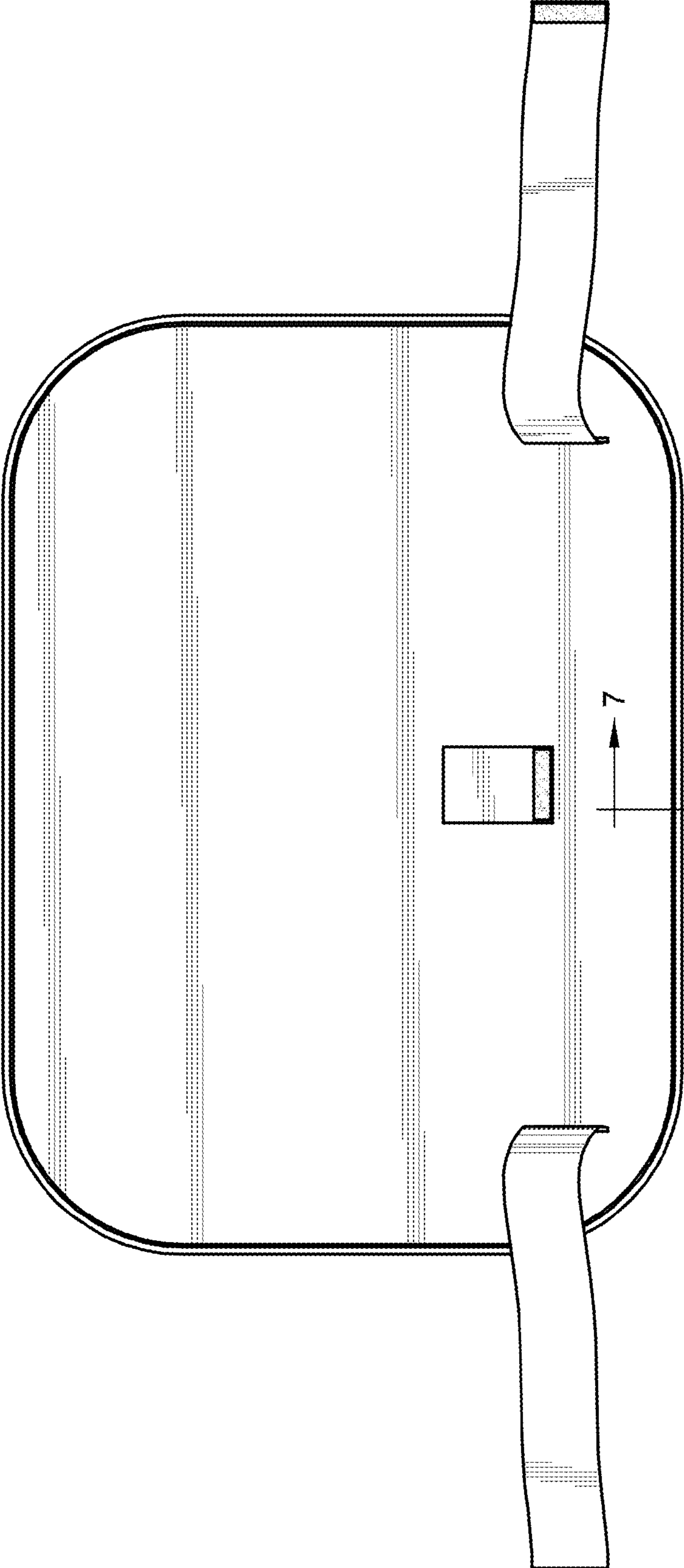


FIG. 3

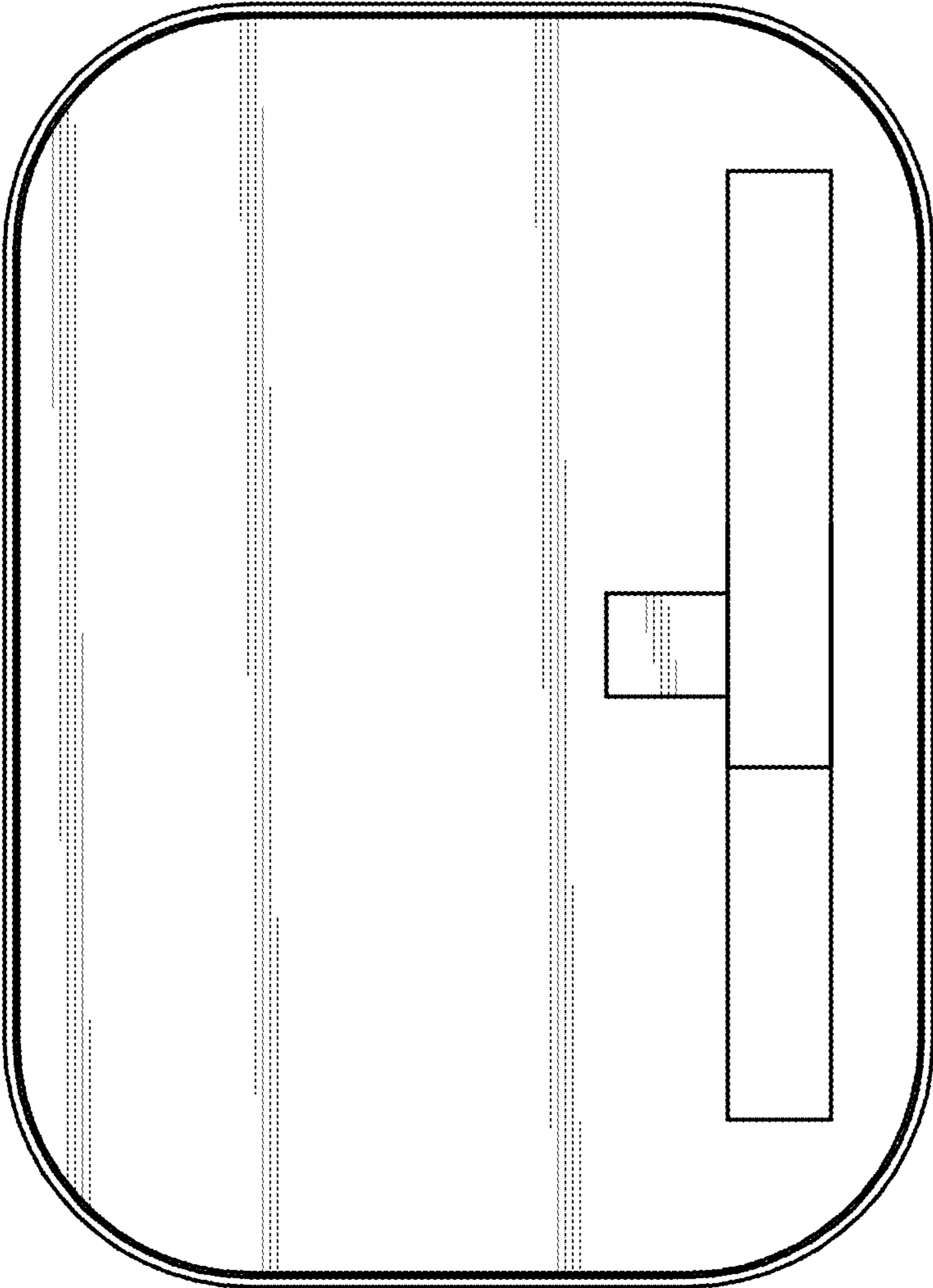


FIG. 4

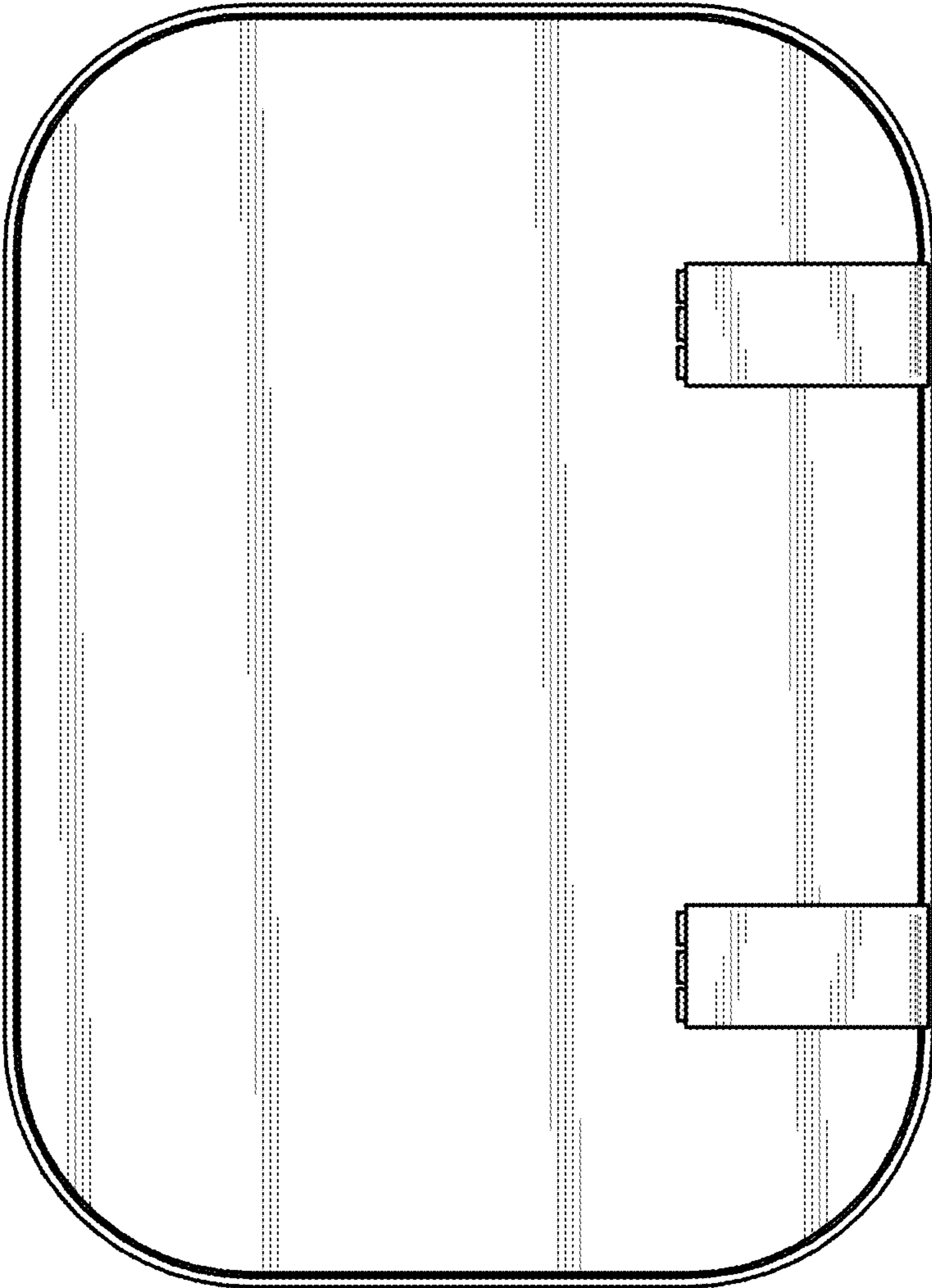


FIG. 5

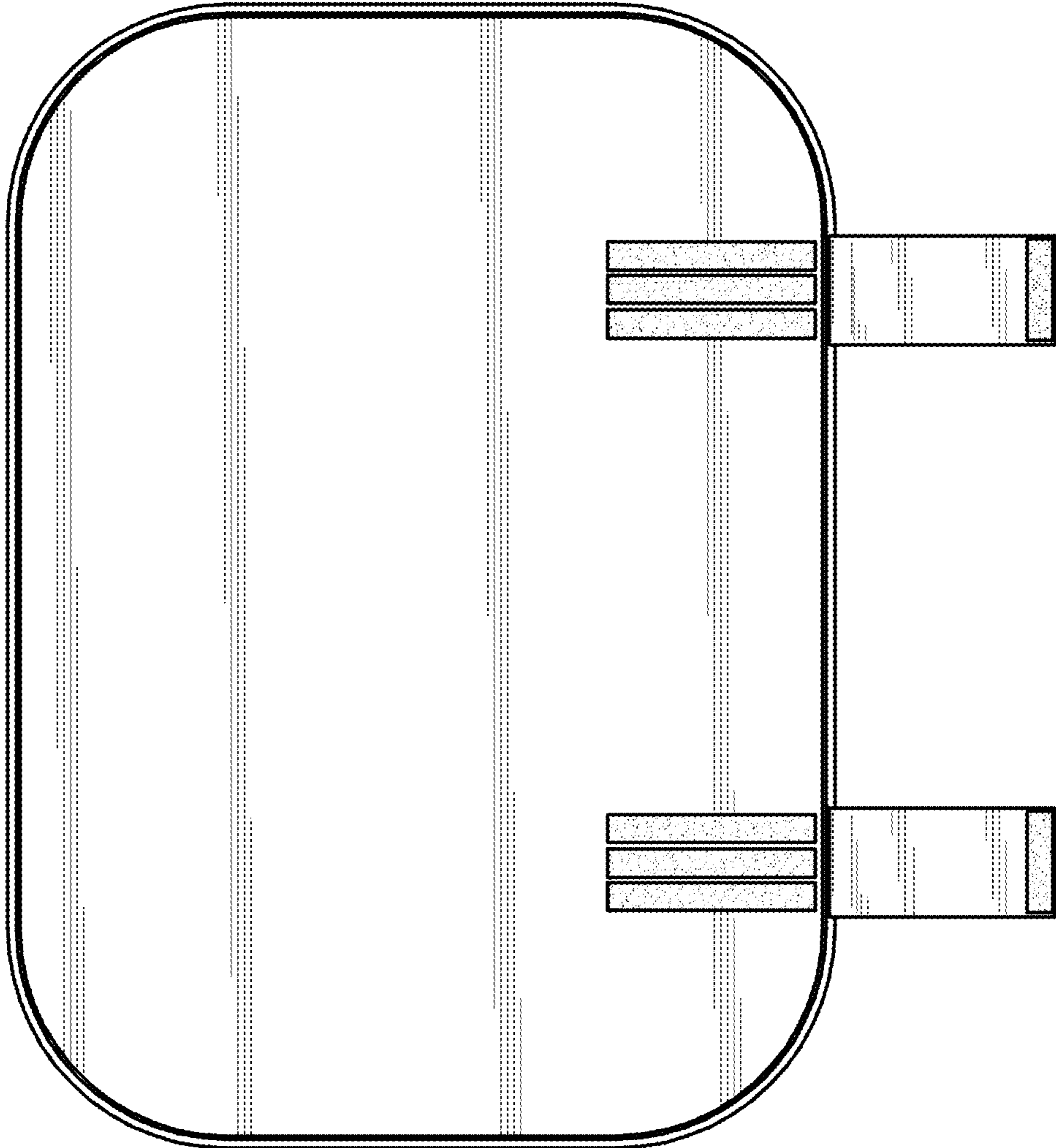


FIG. 6

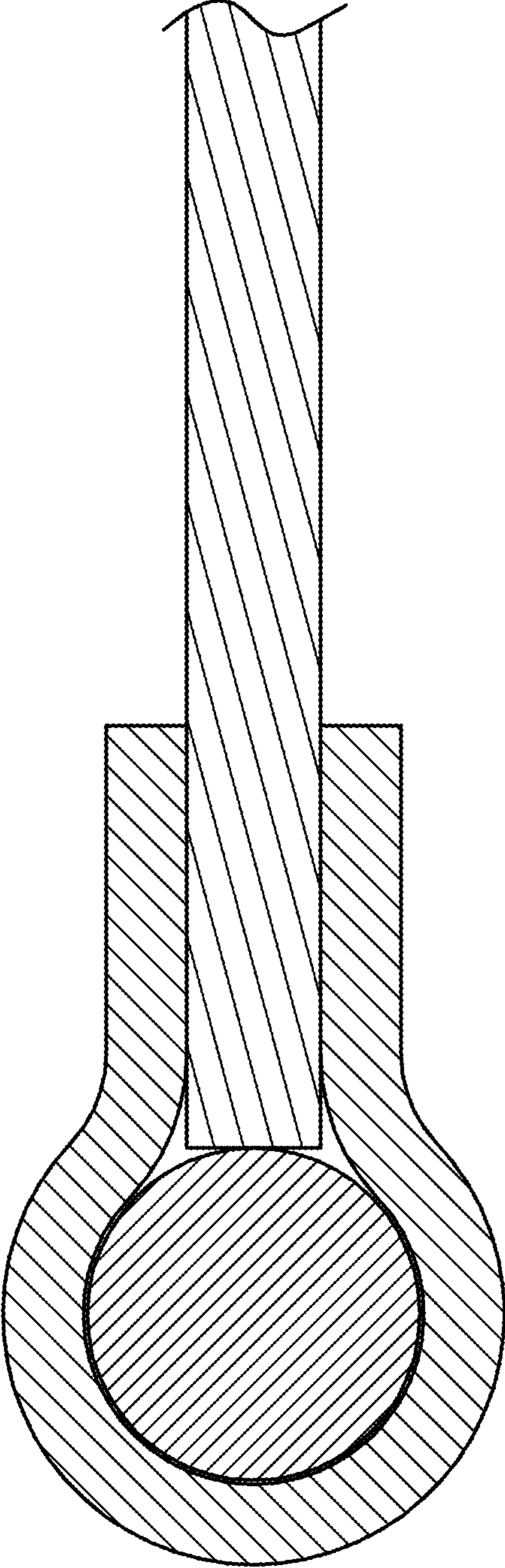


FIG.7