



US00D700454S

(12) **United States Design Patent**
Callif et al.

(10) **Patent No.:** **US D700,454 S**
(45) **Date of Patent:** **** Mar. 4, 2014**

(54) **WALL MOUNTED STORAGE UNIT**

(56) **References Cited**

(71) Applicant: **Liberty Hardware Mfg. Corp.**,
Winston-Salem, NC (US)
(72) Inventors: **Adam W. Callif**, Chicago, IL (US);
Natalie A. Schraufnagel, Chicago, IL
(US)

U.S. PATENT DOCUMENTS

D267,529	S	*	1/1983	Brescia et al.	D6/570
D267,607	S	*	1/1983	Peabody et al.	D6/570
D278,493	S	*	4/1985	Brescia et al.	D6/570
D337,016	S	*	7/1993	Fortescue	D6/567
D425,893	S	*	5/2000	Bassoff	D6/567

* cited by examiner

(73) Assignee: **Liberty Hardware Mfg. Corp.**,
Winston-Salem, NC (US)

Primary Examiner — Brian N Vinson

(74) *Attorney, Agent, or Firm* — Lora J. Graentzdoerffer

(**) Term: **14 Years**

(57) **CLAIM**

The ornamental design for a wall mounted storage unit, as shown and described.

(21) Appl. No.: **29/472,295**

DESCRIPTION

(22) Filed: **Nov. 11, 2013**

(51) **LOC (10) Cl.** **06-04**

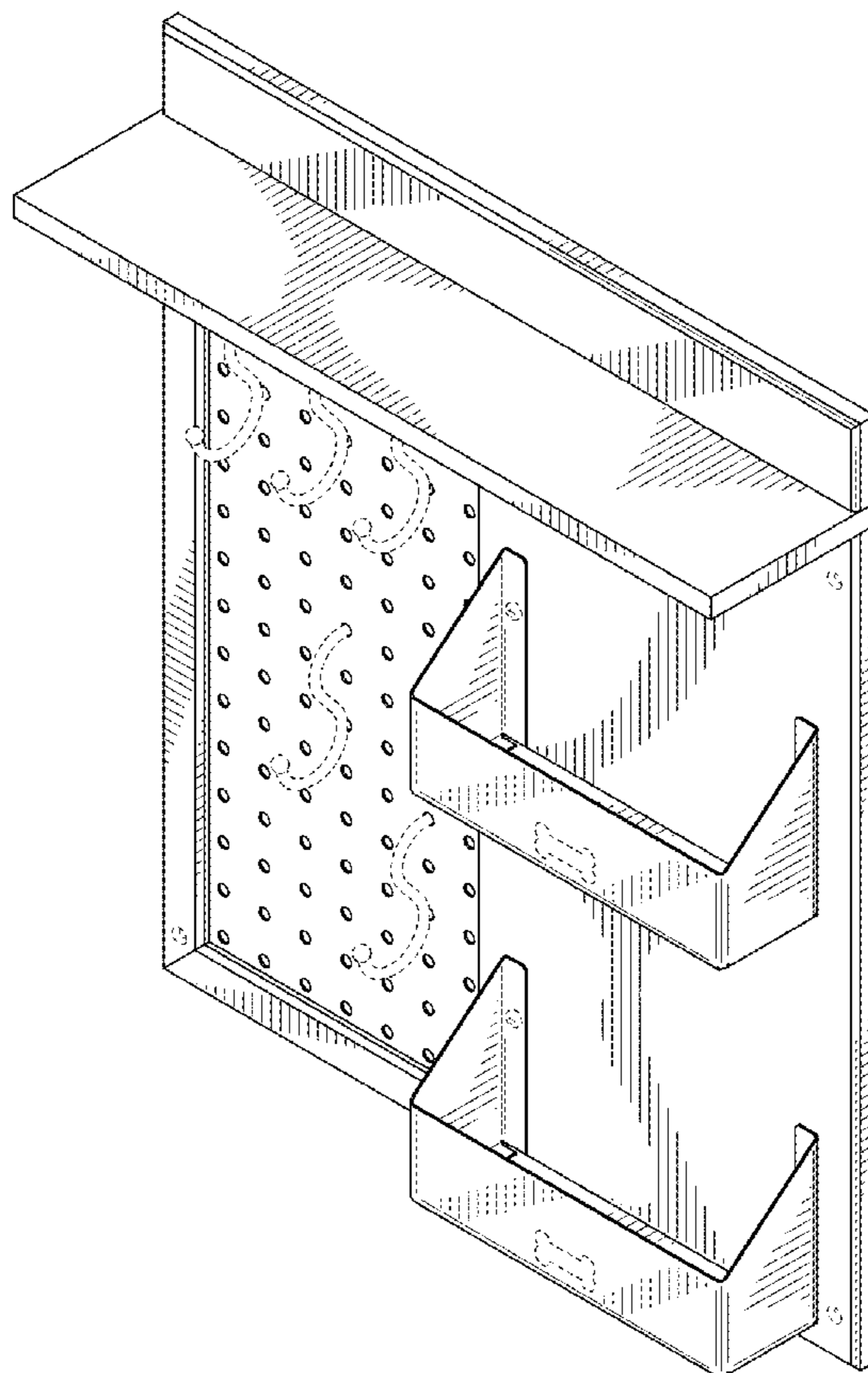
(52) **U.S. Cl.**
USPC **D6/567**

(58) **Field of Classification Search**
USPC D6/553, 512–514, 567, 572, 569;
D8/367, 372; 211/13.1, 70.6, 70.7, 32,
211/35, 85.9, 54.1, 59.1, 66, 86.01, 56;
248/200, 205.1, 235, 301, 304, 309.1,
248/309.2

FIG. 1 is a perspective view thereof;
FIG. 2 is a front elevational view thereof;
FIG. 3 is a left side elevational view thereof;
FIG. 4 is a right side elevational view thereof;
FIG. 5 is a top plan view thereof; and,
FIG. 6 is a bottom plan view thereof.
The broken-line disclosure in the views represents portions of the article in which the claimed design is embodied, but which form no part of the claimed design.

See application file for complete search history.

1 Claim, 4 Drawing Sheets



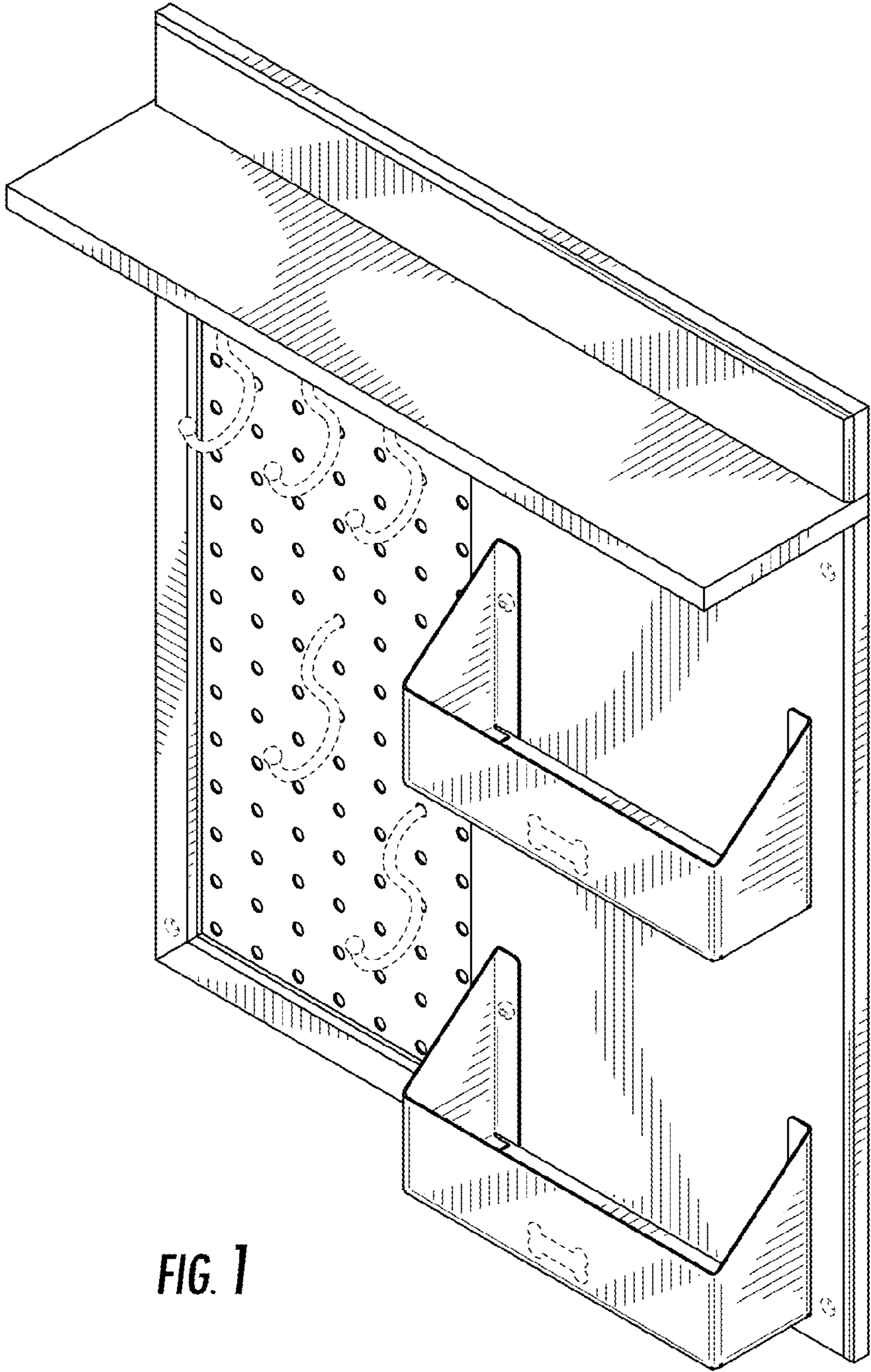


FIG. 1

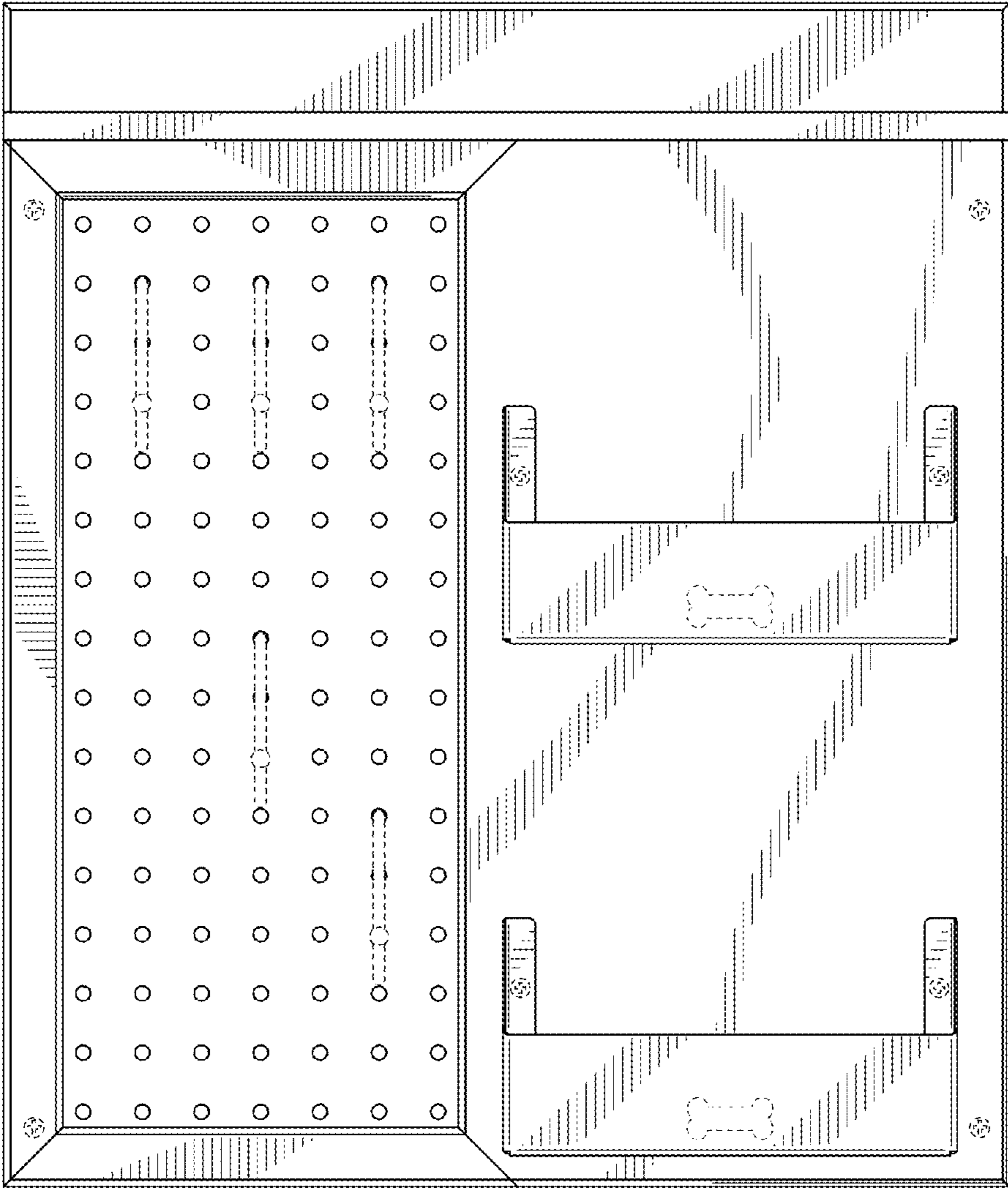


FIG. 2

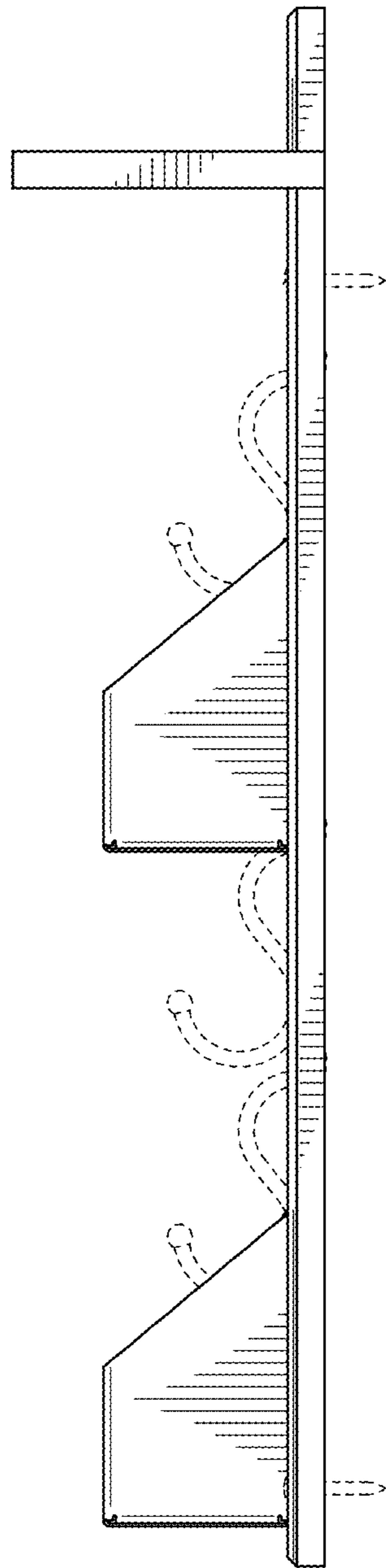


FIG. 3

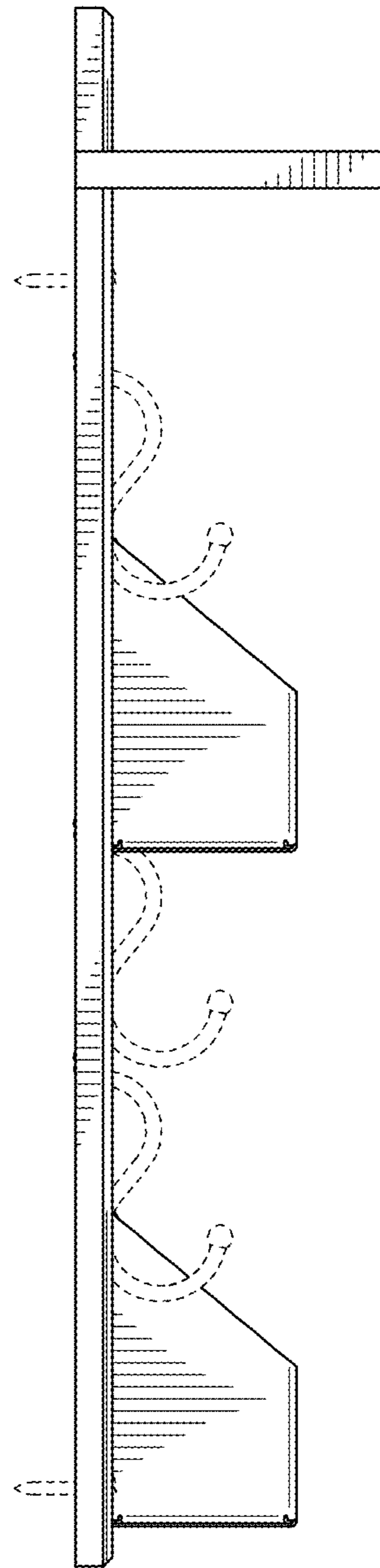


FIG. 4

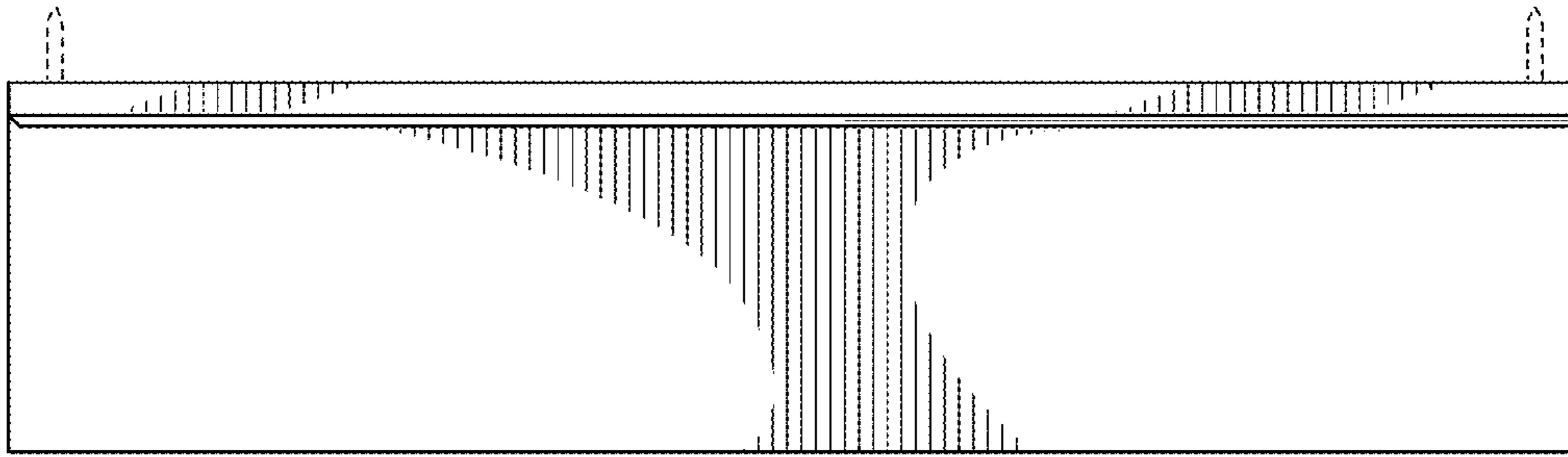


FIG. 5

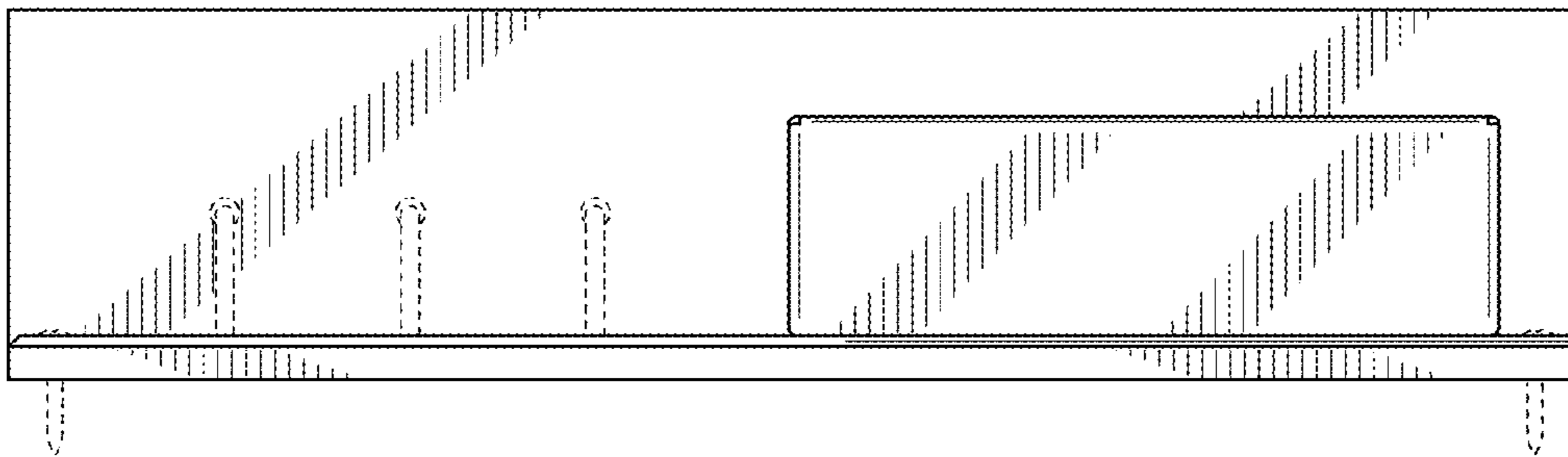


FIG. 6