



US00D700453S

(12) **United States Design Patent**
Goodman et al.

(10) **Patent No.:** **US D700,453 S**
(45) **Date of Patent:** **** Mar. 4, 2014**

(54) **OVER THE CABINET DOOR STYLING RACK**

(56) **References Cited**

(71) Applicant: **Spectrum Diversified Designs, Inc.**,
Streetsboro, OH (US)
(72) Inventors: **Sheldon H. Goodman**, Solon, OH (US);
Phaysouk Xayoiphonh, Akron, OH
(US)
(73) Assignee: **Spectrum Diversified Designs, Inc.**,
Streetsboro, OH (US)

U.S. PATENT DOCUMENTS

D400,037 S	*	10/1998	Bartholow	D6/566
D497,688 S	*	10/2004	Issa	D6/566
D510,222 S	*	10/2005	Klein et al.	D6/566
D631,274 S	*	1/2011	Yelencich	D6/552

* cited by examiner

Primary Examiner — Brian N Vinson

(74) *Attorney, Agent, or Firm* — Renner, Otto, Boisselle & Sklar, LLP

(**) Term: **14 Years**

(57) **CLAIM**

The ornamental design for an over the cabinet door styling rack, as shown and described.

(21) Appl. No.: **29/444,493**

DESCRIPTION

(22) Filed: **Jan. 31, 2013**

(51) **LOC (10) Cl.** **06-04**

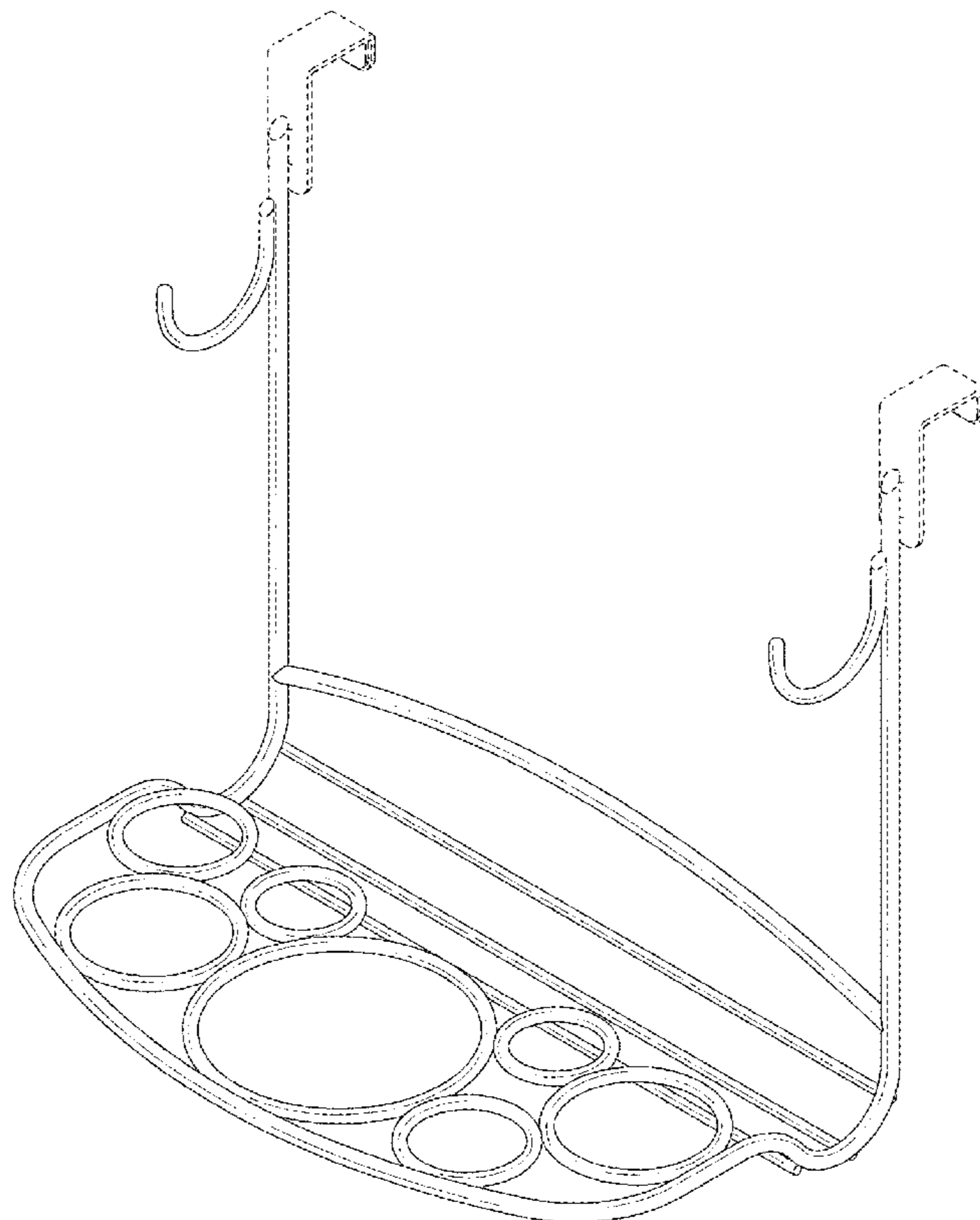
(52) **U.S. Cl.**
USPC **D6/566; D6/513**

(58) **Field of Classification Search**
USPC D6/512-514, 553, 566, 567, 569, 315,
D6/320, 327; D8/349, 354, 367, 372;
248/301-304, 309.1, 309.2; 211/13.1,
211/30, 32, 70.6, 56.01, 87.01, 181.1;
D25/38; D26/51

FIG. 1 is a perspective view of an over the cabinet door styling rack showing our new design;
FIG. 2 is a front view of the over the cabinet door styling rack;
FIG. 3 is a side view of over the cabinet door styling rack, the opposite side view being a mirror image thereof.
FIG. 4 is a rear view of the over the cabinet door styling rack;
FIG. 5 is a top view of the over the cabinet door styling rack;
and,
FIG. 6 is a bottom view of the over the cabinet door styling rack.
The broken lines in the drawing illustrate environmental matter and form no part of the claimed design.

See application file for complete search history.

1 Claim, 3 Drawing Sheets



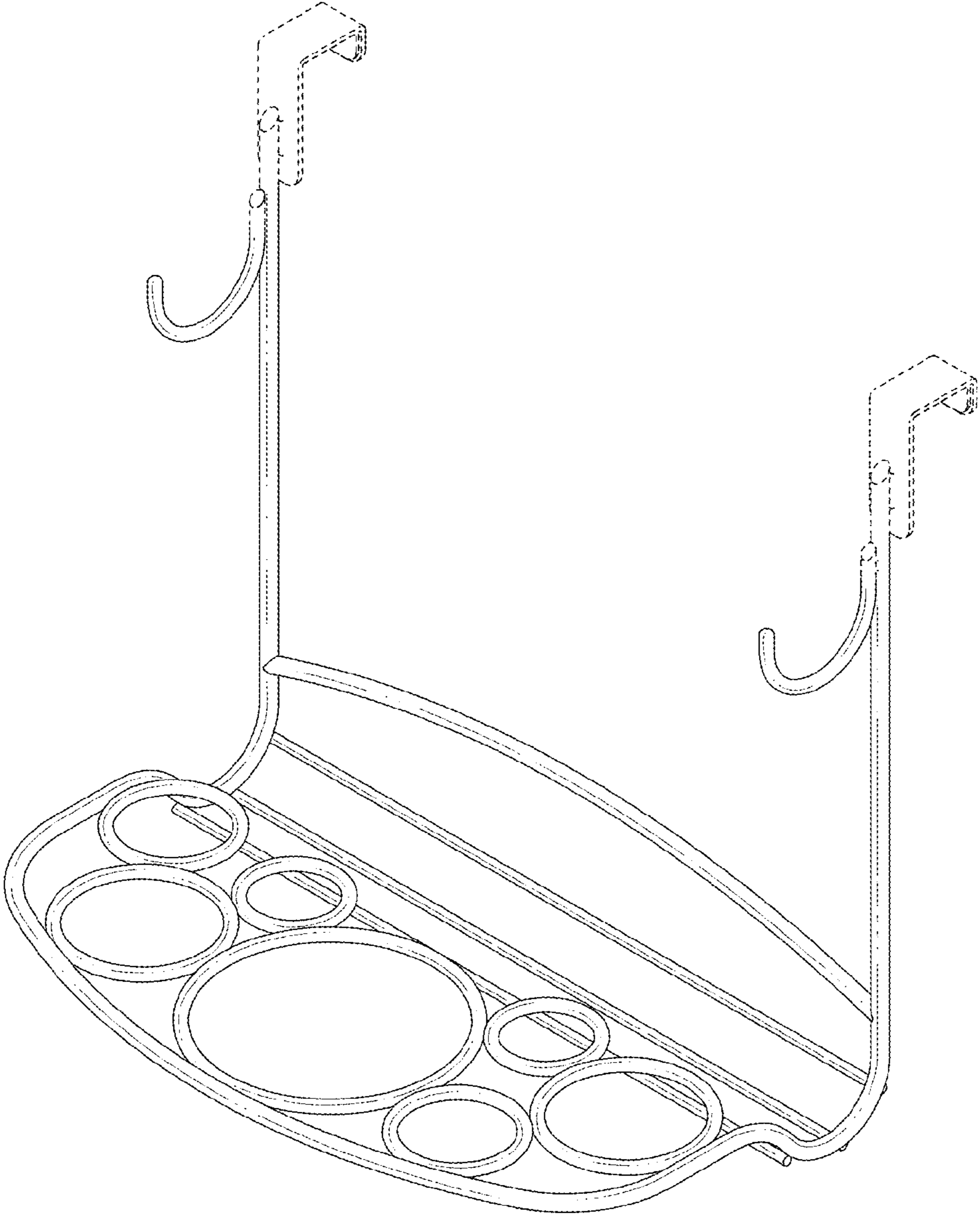


FIG 1

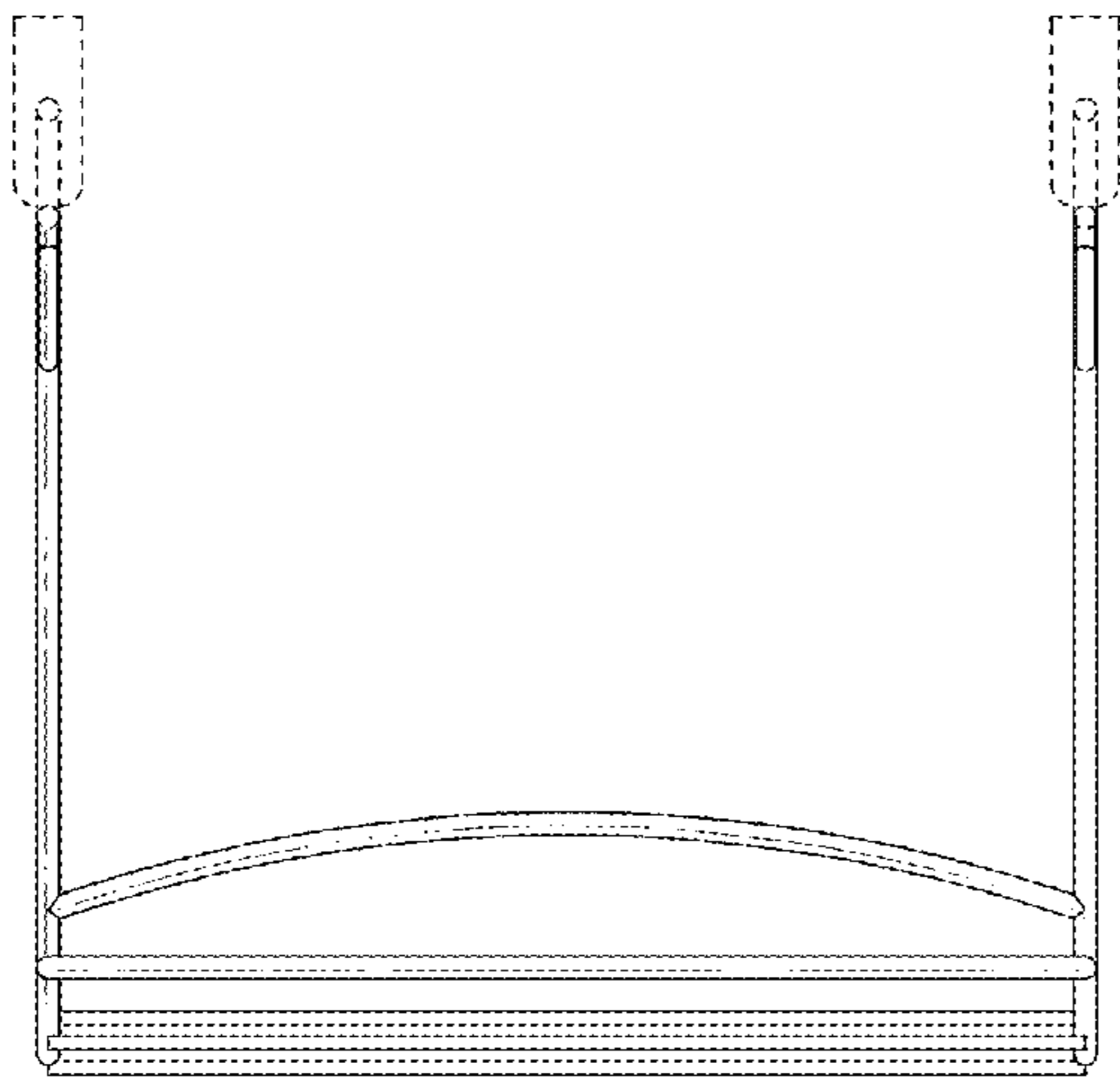


FIG 2

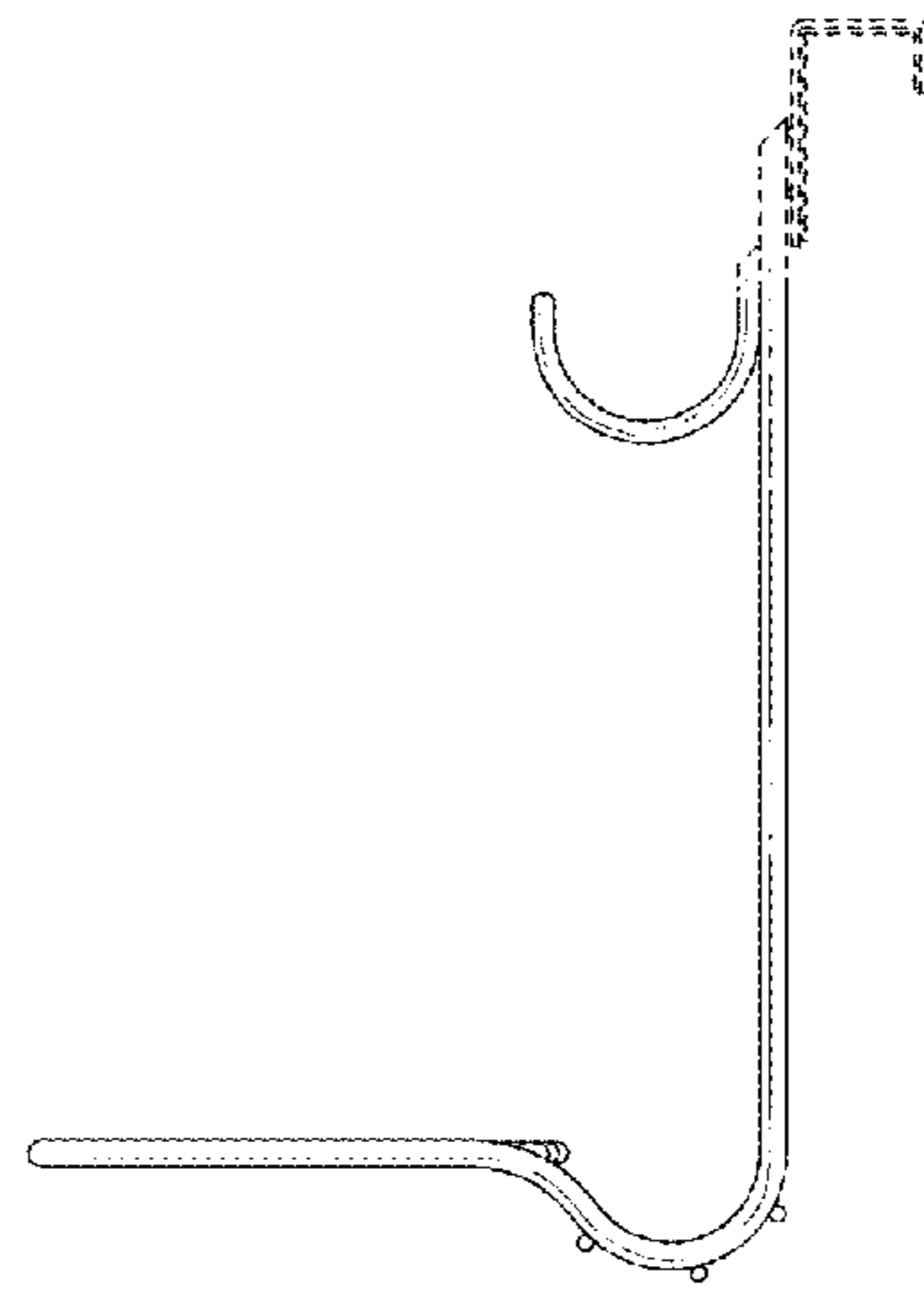


FIG 3

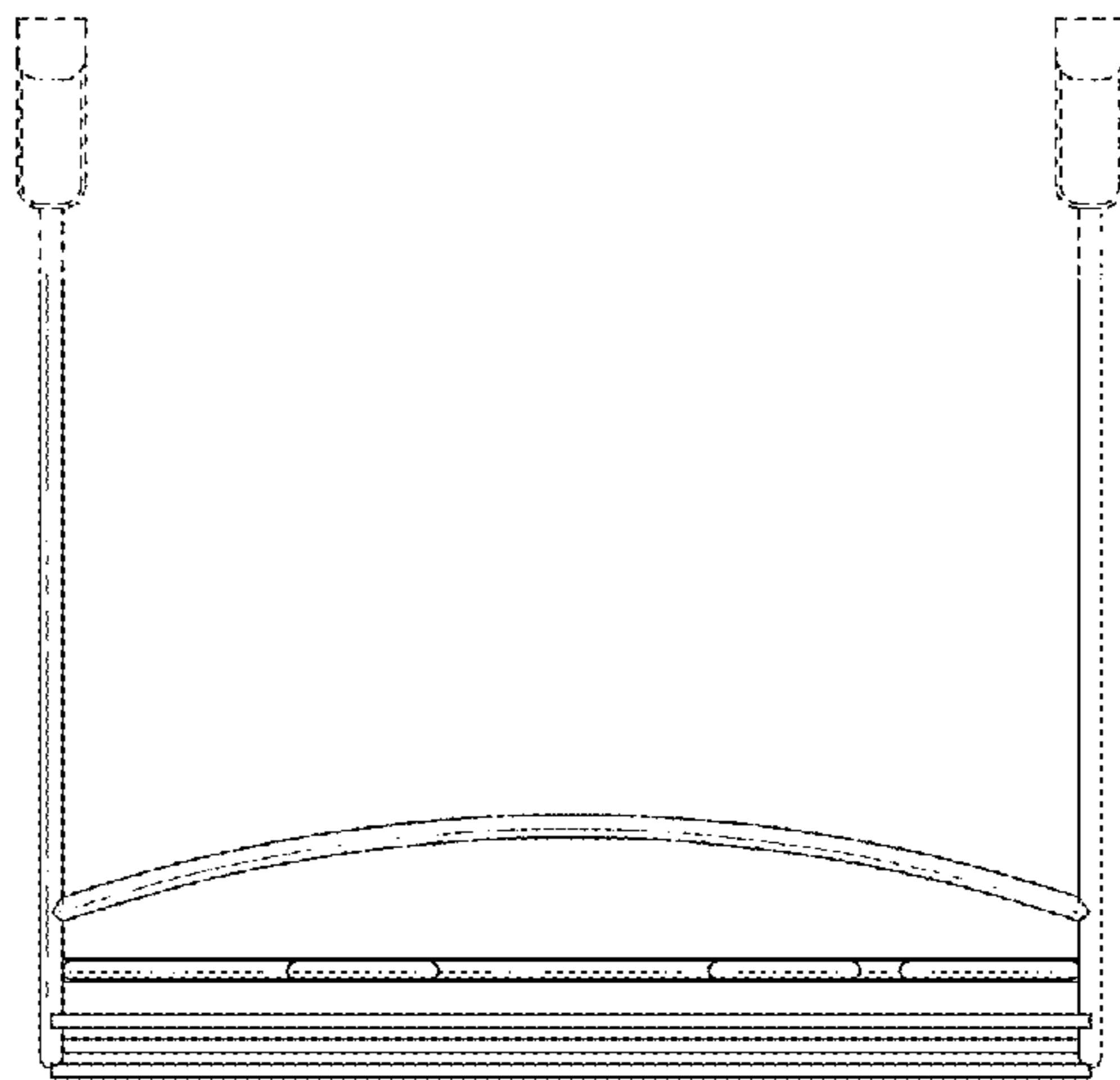


FIG 4

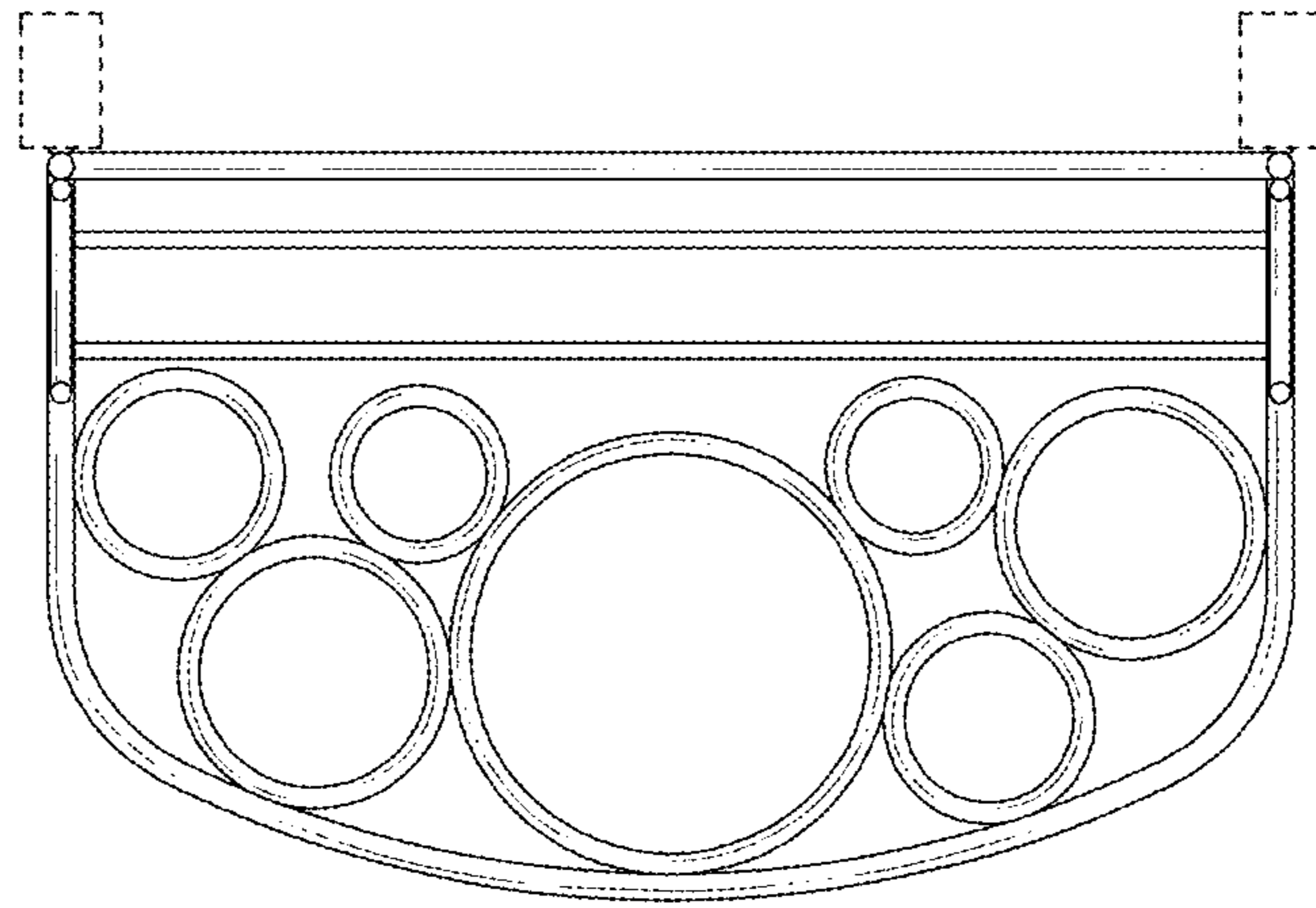


FIG 5

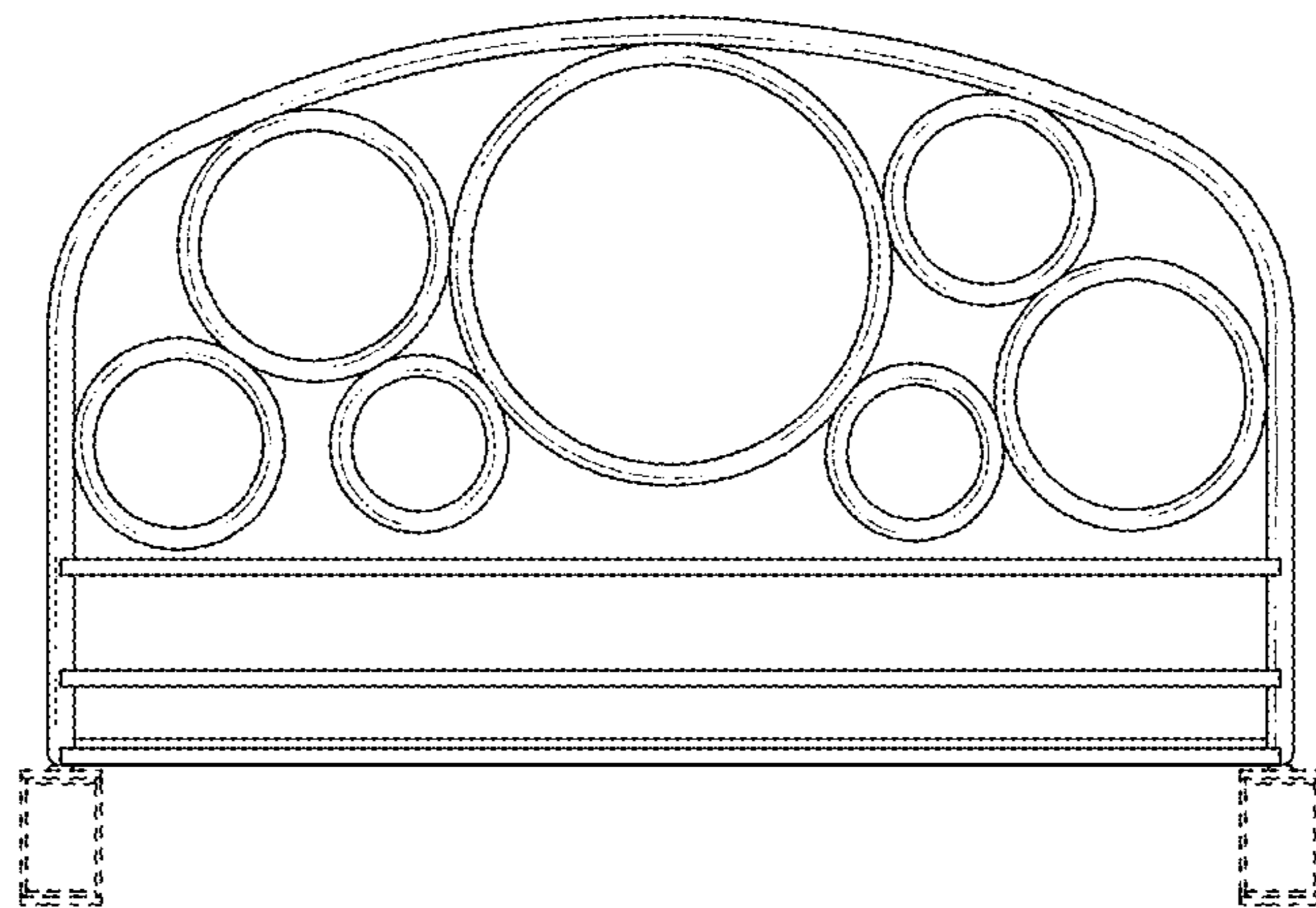


FIG 6