



US00D700452S

(12) **United States Design Patent**
Sale, Jr.

(10) **Patent No.:** **US D700,452 S**
(45) **Date of Patent:** **** Mar. 4, 2014**

(54) **TOWEL BAR/PAPER HOLDER/FAUCET
LEVER POST**

D469,292 S * 1/2003 Chen et al. D6/550
D574,648 S * 8/2008 Guo D6/524
D604,075 S * 11/2009 Chen D6/524

(75) Inventor: **Kenneth Martin Sale, Jr.**, San
Francisco, CA (US)

* cited by examiner

(73) Assignee: **Sale Builders Hardware, Ltd.**, South
San Francisco, CA (US)

Primary Examiner — Holly Baynham

(74) *Attorney, Agent, or Firm* — Fitzpatrick, Cella, Harper &
Scinto

(**) Term: **14 Years**

(57) **CLAIM**

The ornamental design for a towel bar/paper holder/faucet
lever post, as shown and described in the accompanying
drawings.

(21) Appl. No.: **29/426,526**

DESCRIPTION

(22) Filed: **Jul. 6, 2012**

(51) **LOC (10) Cl.** **08-05**

(52) **U.S. Cl.**
USPC **D6/550**

(58) **Field of Classification Search**
USPC D8/373, 363; D6/524, 250;
248/251–254, 309.1, 311.1, 49, 205.1
See application file for complete search history.

FIG. 1 is a top, perspective view of the towel bar/paper holder/
faucet lever post showing my new design.
FIG. 2 is a right side view thereof;
FIG. 3 is a left side view thereof;
FIG. 4 is a front elevational view thereof with the disclaimed
towel bar shown in a reverse direction;
FIG. 5 is a top plan view thereof;
FIG. 6 is a rear elevational view thereof;
FIG. 7 is an environmental perspective view thereof; and,
FIG. 8 is another environmental front view thereof.

The broken lines showing a portion of a towel rod and a faucet
set are for the purposes of illustrating environment and form
no part of the claimed design.

(56) **References Cited**

U.S. PATENT DOCUMENTS

D466,347 S * 12/2002 Chen D6/550
D466,350 S * 12/2002 Tai D6/550
D466,746 S * 12/2002 Chen D6/550

1 Claim, 3 Drawing Sheets

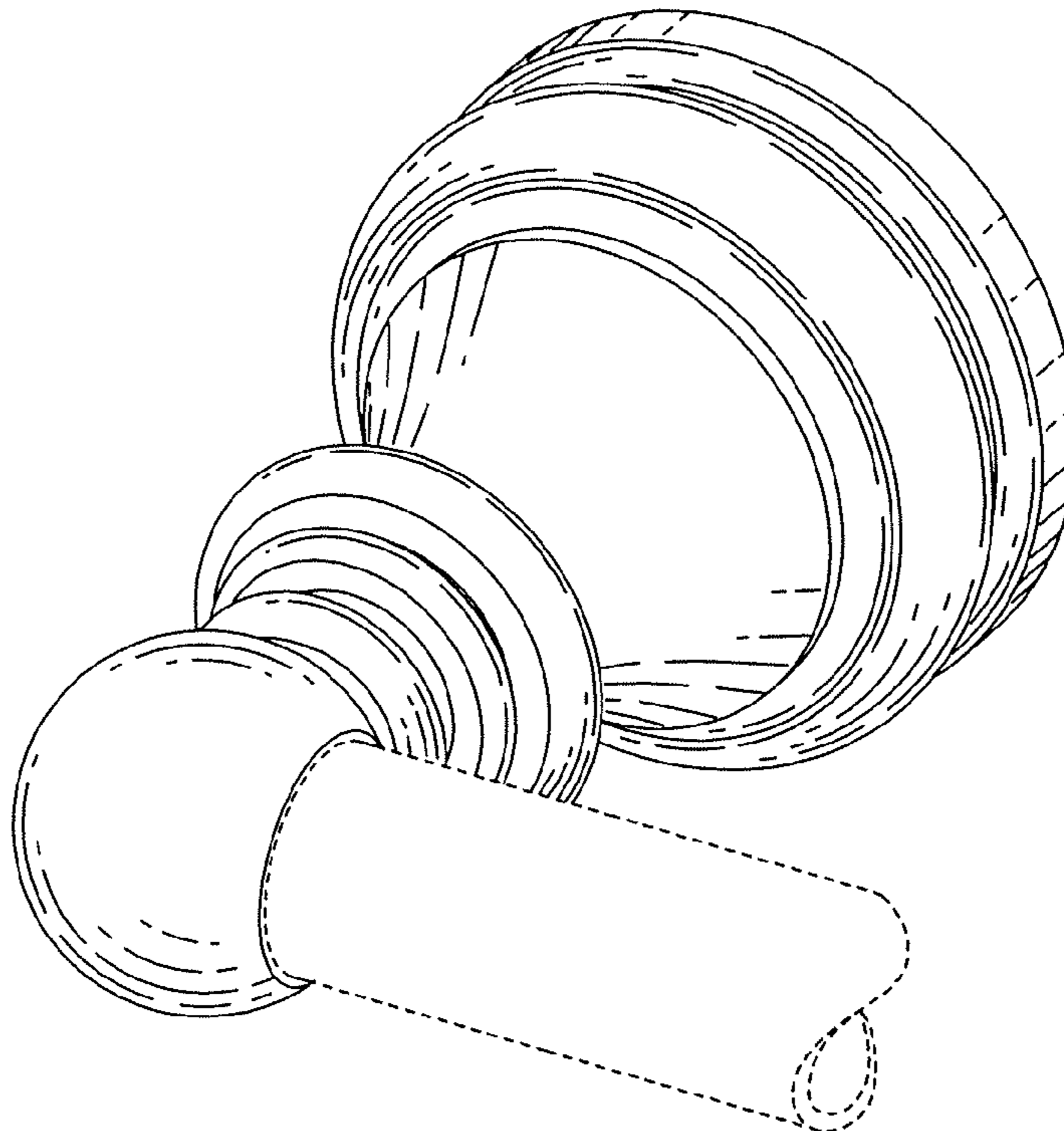


Fig. 1

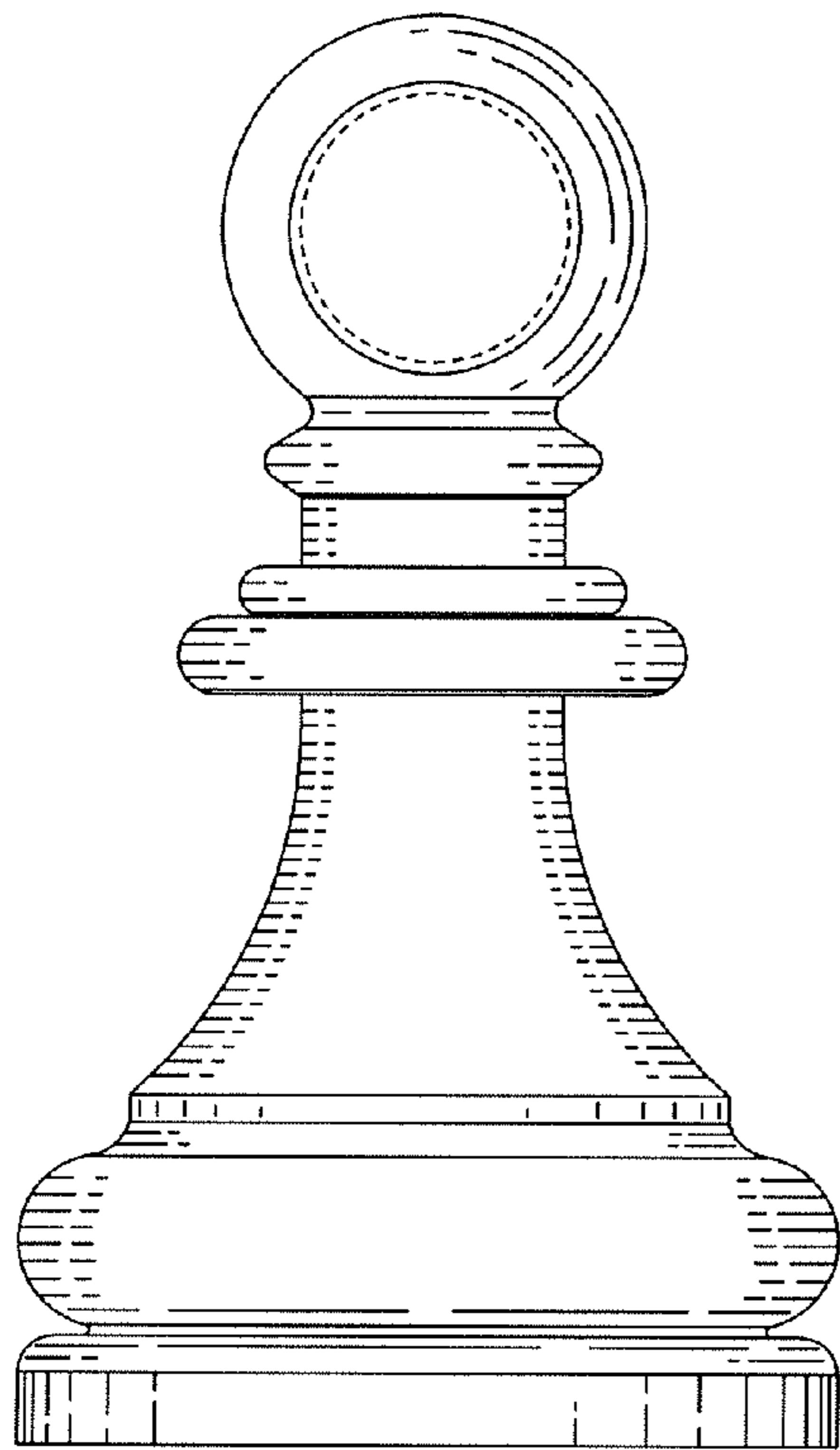
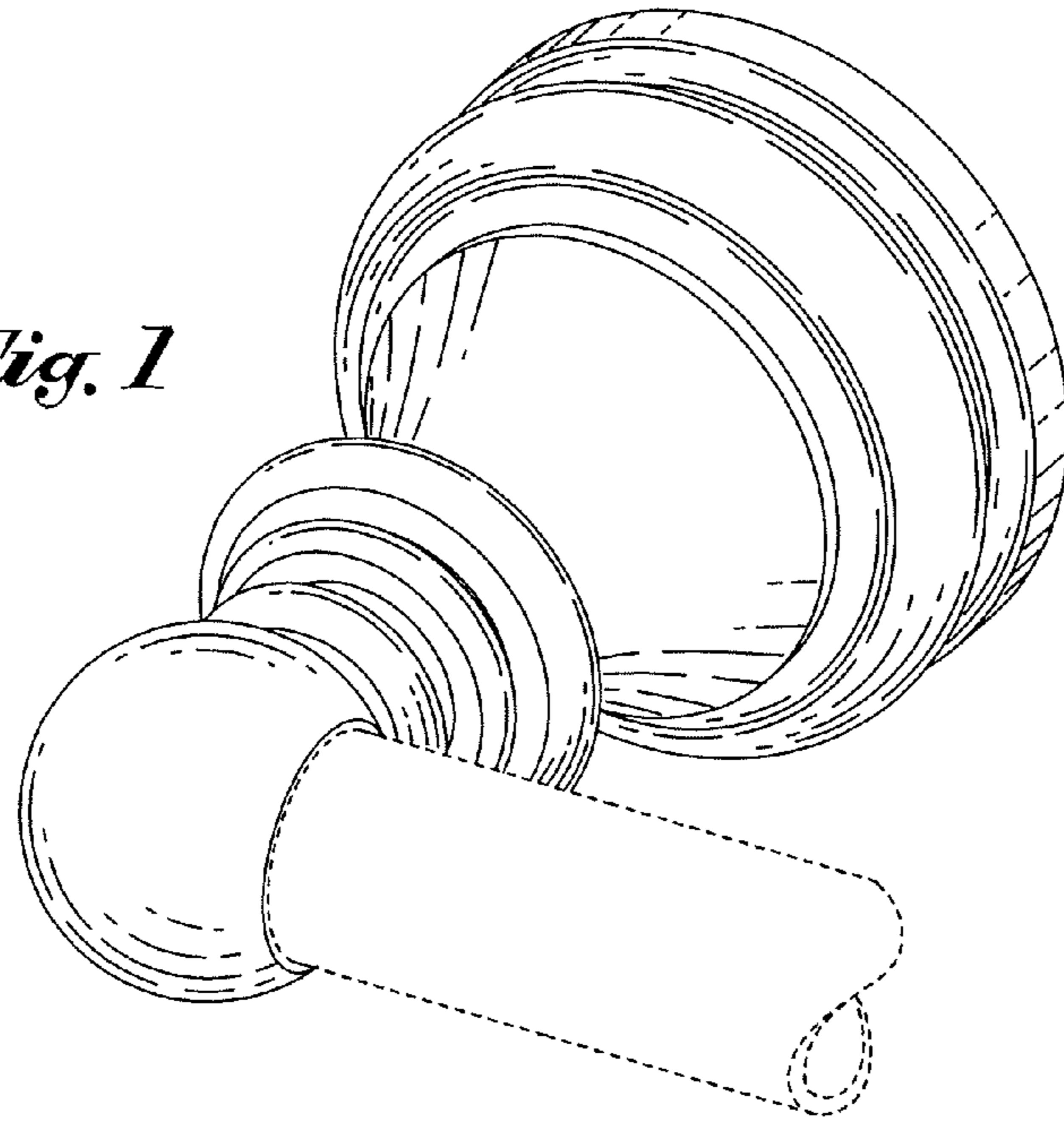


Fig. 2

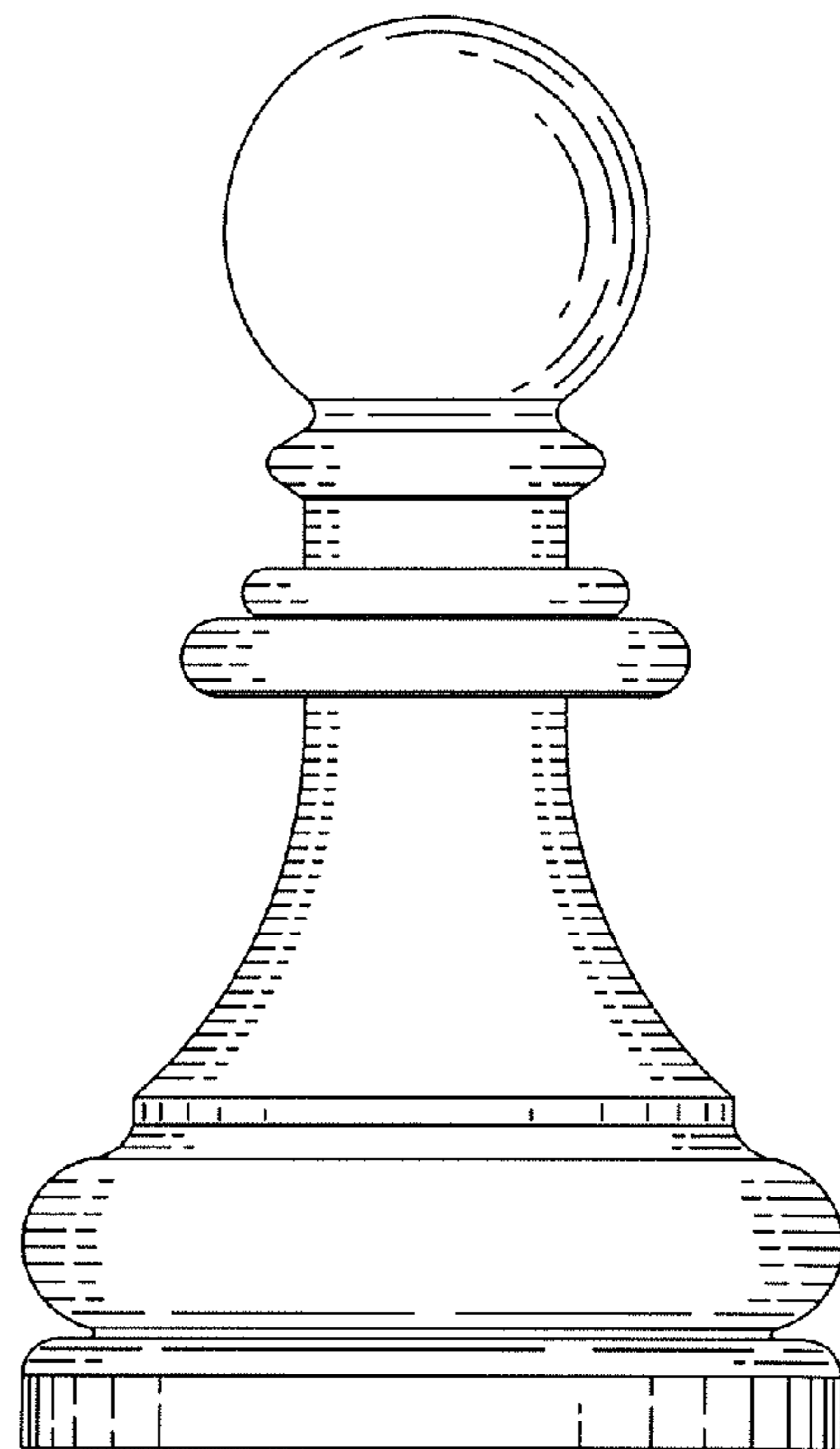
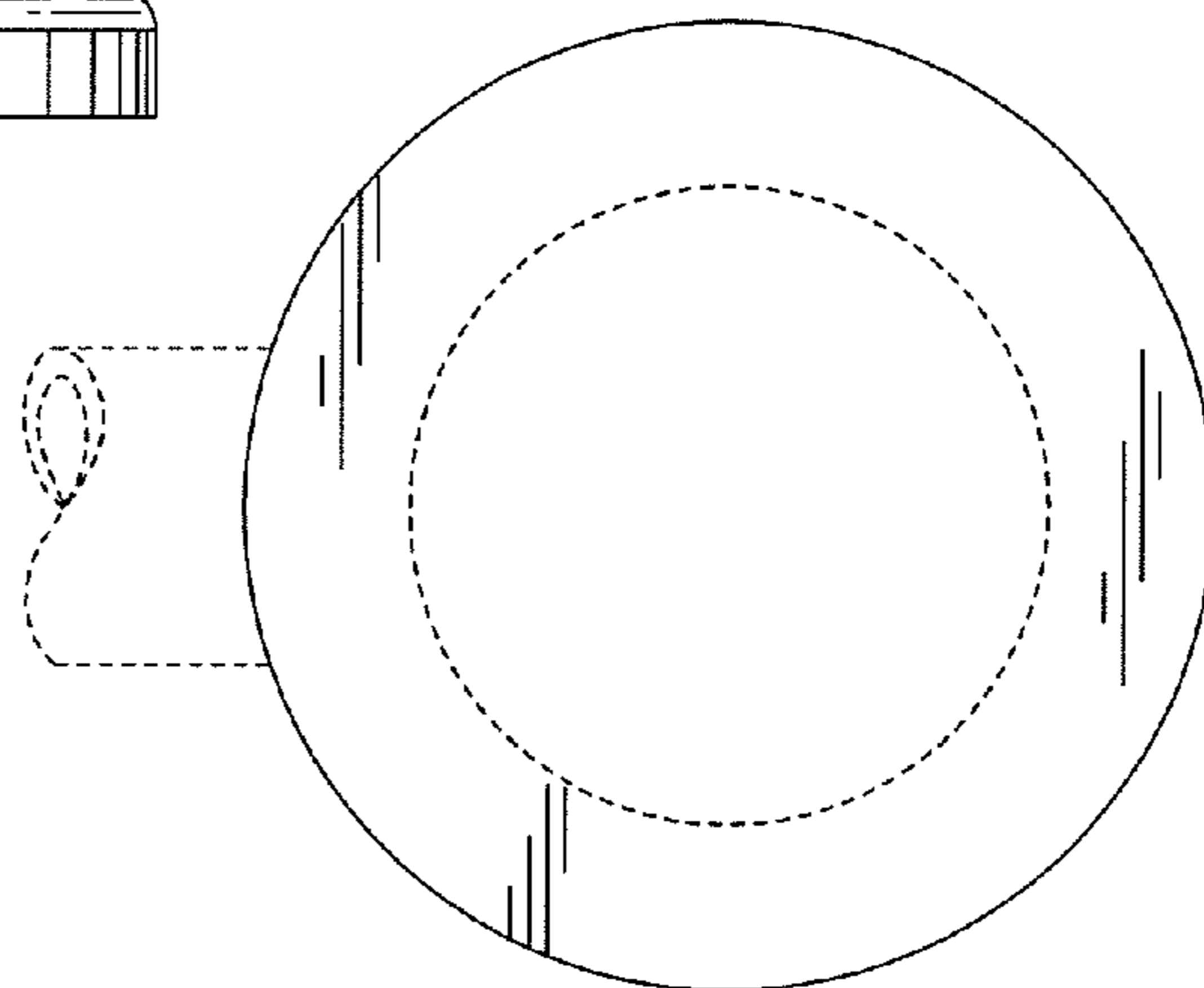
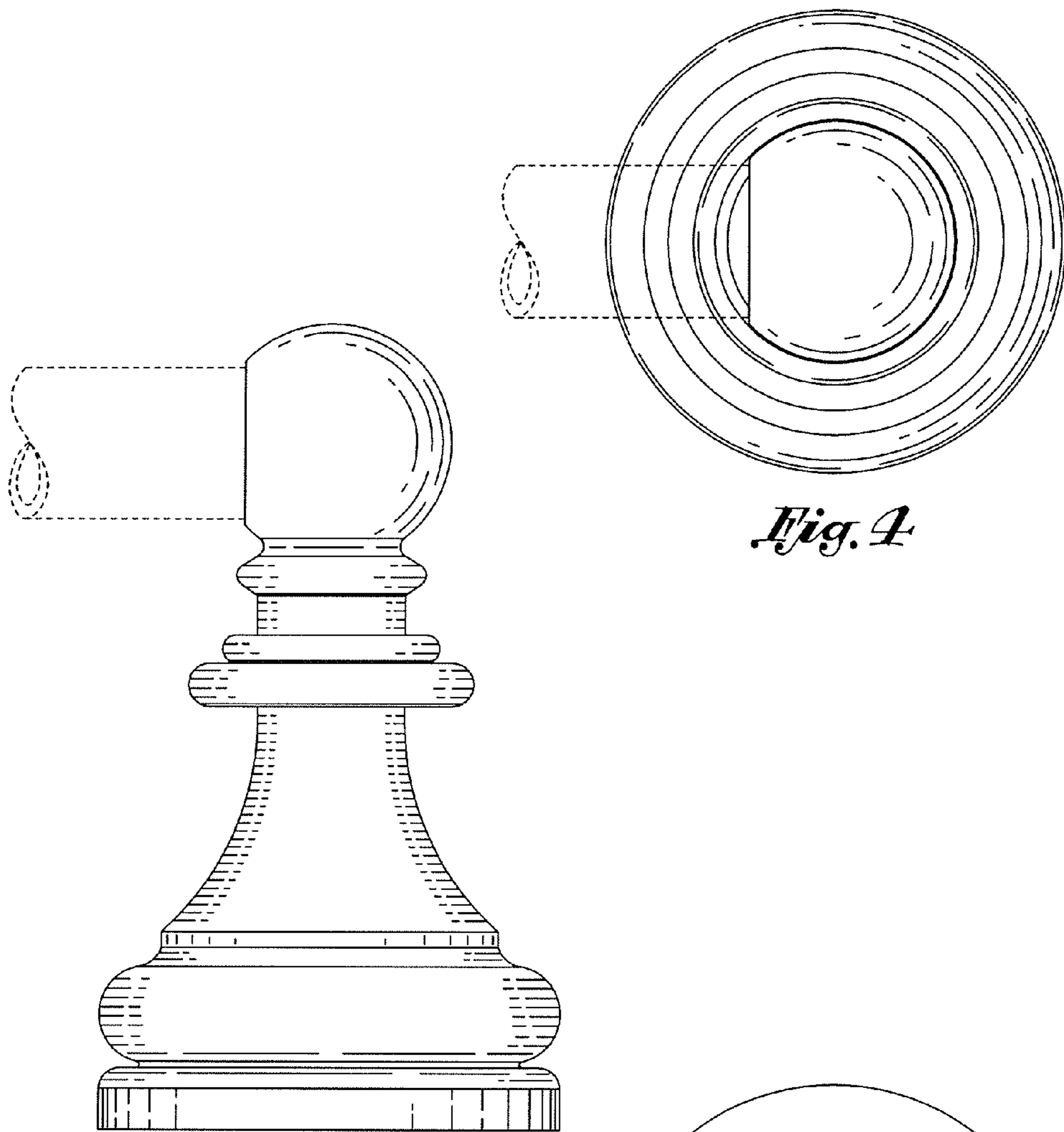


Fig. 3



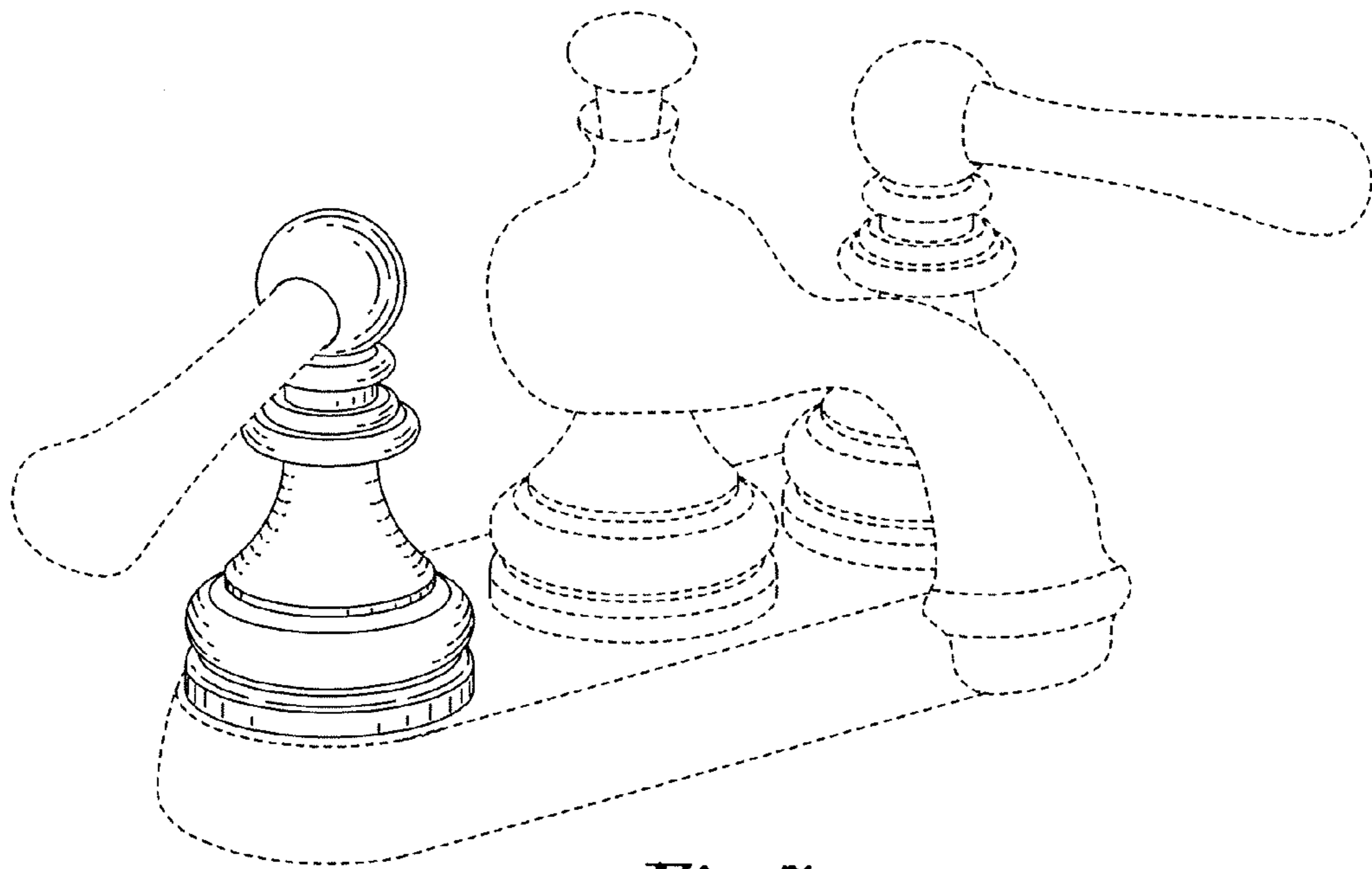


Fig. 7

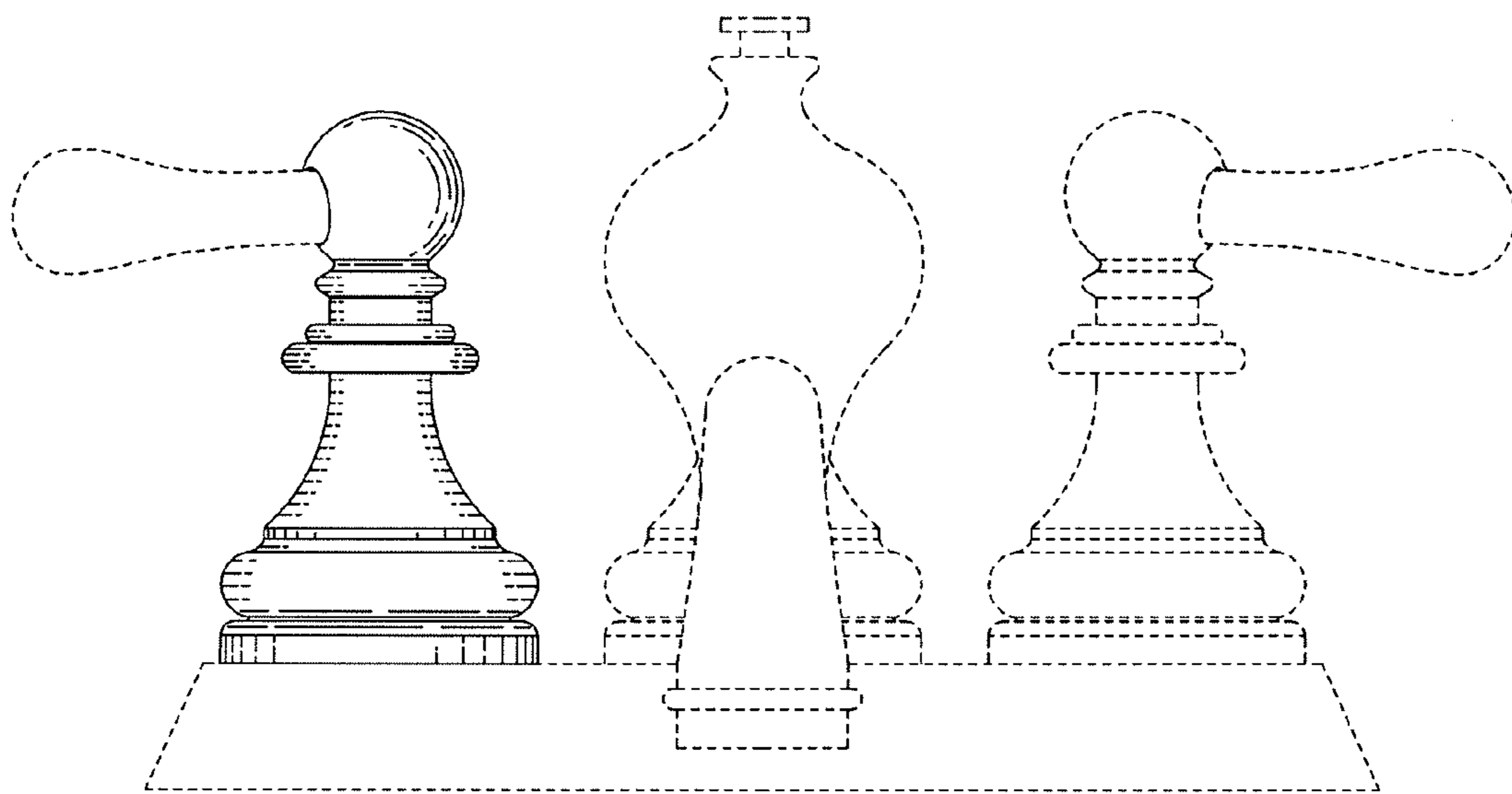


Fig. 8