



US00D700450S

(12) **United States Design Patent**
Glenn

(10) **Patent No.:** **US D700,450 S**
(45) **Date of Patent:** **** Mar. 4, 2014**

(54) **TRIANGULAR WEDGE SHAPED TISSUE OR WET WIPE CONTAINER WITH MOUNTING SLEEVE**

(71) Applicant: **Julia Bujtas Glenn**, Fairfield, CA (US)

(72) Inventor: **Julia Bujtas Glenn**, Fairfield, CA (US)

(**) Term: **14 Years**

(21) Appl. No.: **29/454,185**

(22) Filed: **May 7, 2013**

(51) **LOC (10) Cl.** **20-02**

(52) **U.S. Cl.**
USPC **D6/519**

(58) **Field of Classification Search**
USPC D6/512-525, 546-550; D8/300,
D8/315-321, 354, 363, 373, 380;
108/28-29; 211/13.1, 16, 60.1, 86.01,
211/88.01, 88.04, 100, 105.1, 105.2, 123,
211/126.1, 133.6, 134, 181.1, 182;
248/176, 176.1, 200, 251, 302, 309.1;
242/242, 570, 590, 595-598; 206/389,
206/557

See application file for complete search history.

(56) **References Cited**

U.S. PATENT DOCUMENTS

4,978,095 A * 12/1990 Phillips 206/233
5,311,986 A * 5/1994 Putz 206/233

D377,284 S * 1/1997 Farrow et al. D6/519
D415,642 S * 10/1999 Daley D6/523
D419,011 S * 1/2000 Gilmore D6/519
D448,224 S * 9/2001 Voyer D6/519
D548,980 S * 8/2007 Maddux D6/519
D632,511 S * 2/2011 Sallack D6/519
D686,844 S * 7/2013 Simon D6/519

* cited by examiner

Primary Examiner — Brian N Vinson

(57) **CLAIM**

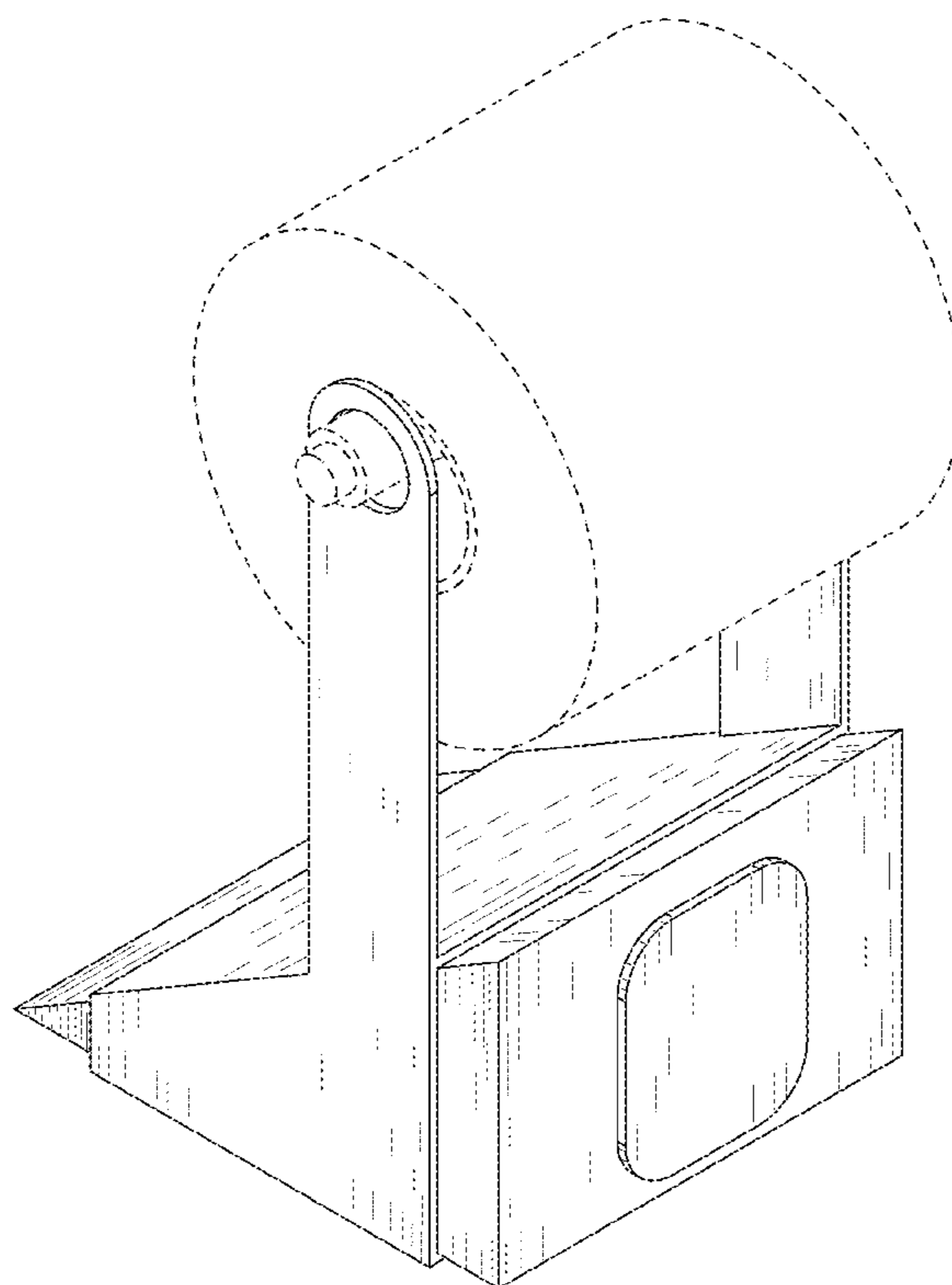
The ornamental design for a triangular wedge shaped tissue or wet wipe container with mounting sleeve, as shown and described.

DESCRIPTION

FIG. 1 is a left-side elevational view of a triangular wedge shaped tissue or wet wipe container with mounting sleeve; FIG. 2 is a right-side elevational view thereof; FIG. 3 is a top plan view thereof; FIG. 4 is a bottom plan view thereof; FIG. 5 is a front elevational view thereof; FIG. 6 is a rear elevational view thereof; and, FIG. 7 is a perspective view thereof.

The broken line showing of a toilet paper roll and a toilet paper roll holder in FIG. 1-7 is included for the purpose of showing environmental structure and form no part of the claimed design.

1 Claim, 7 Drawing Sheets



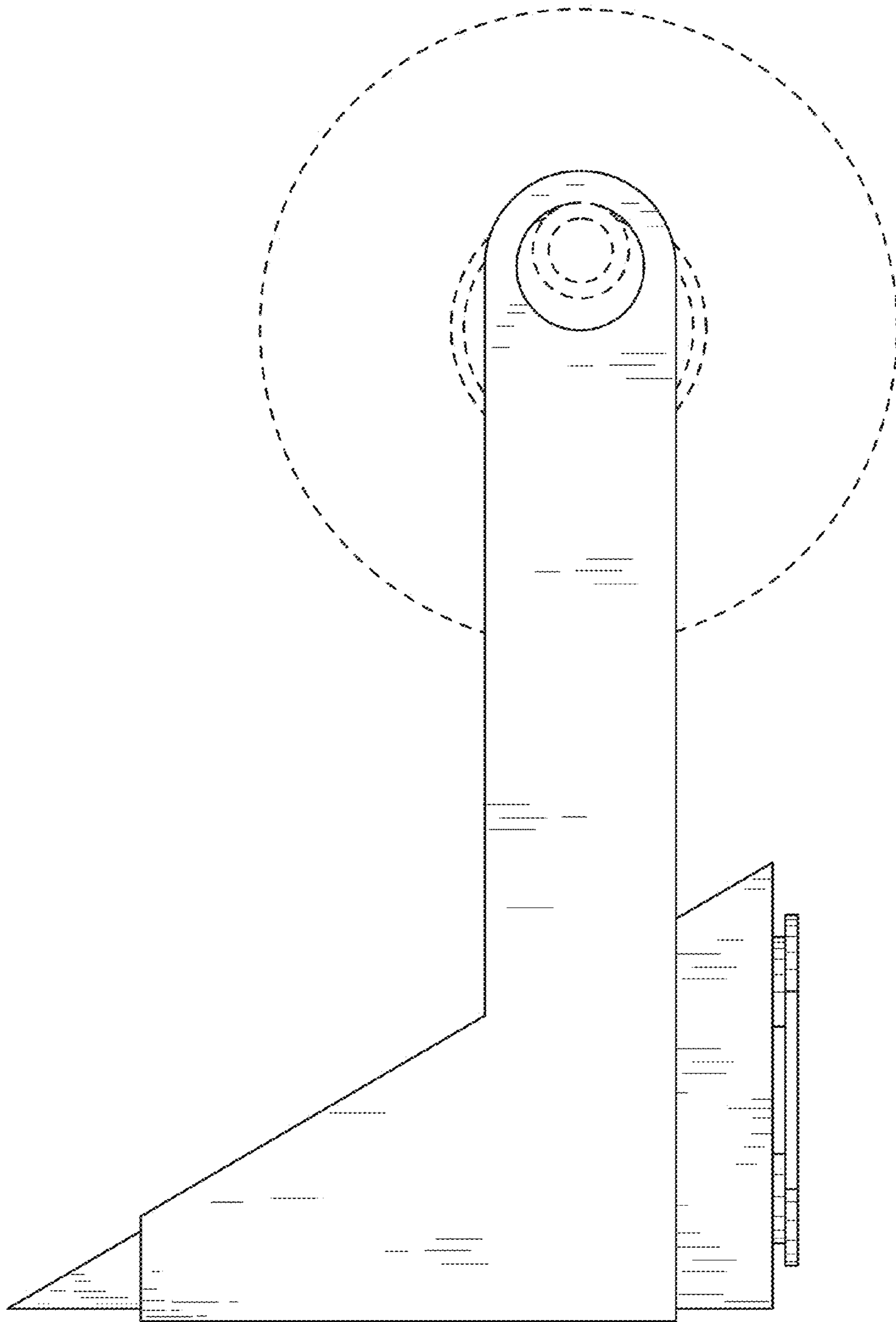


FIG. 1

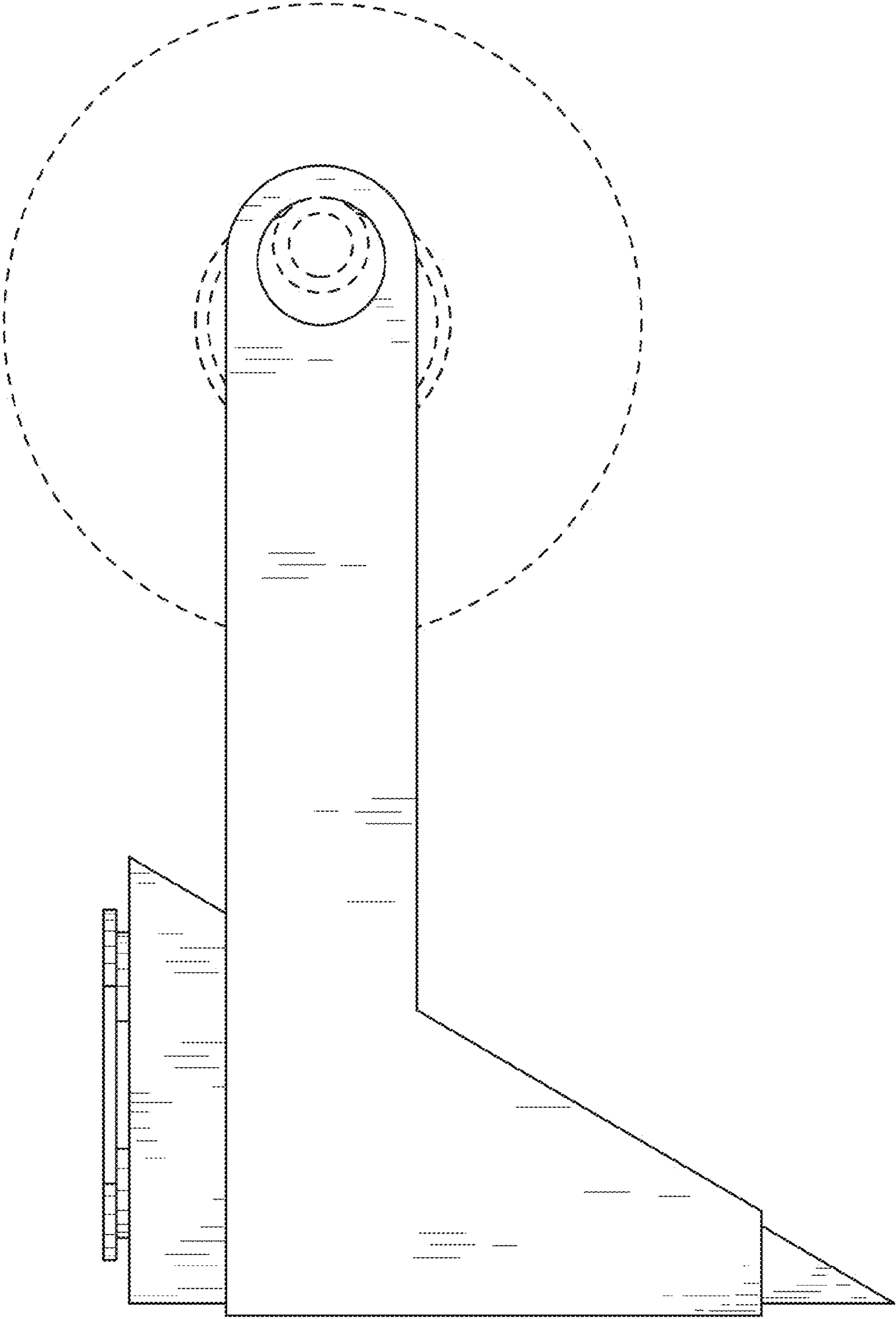


FIG. 2

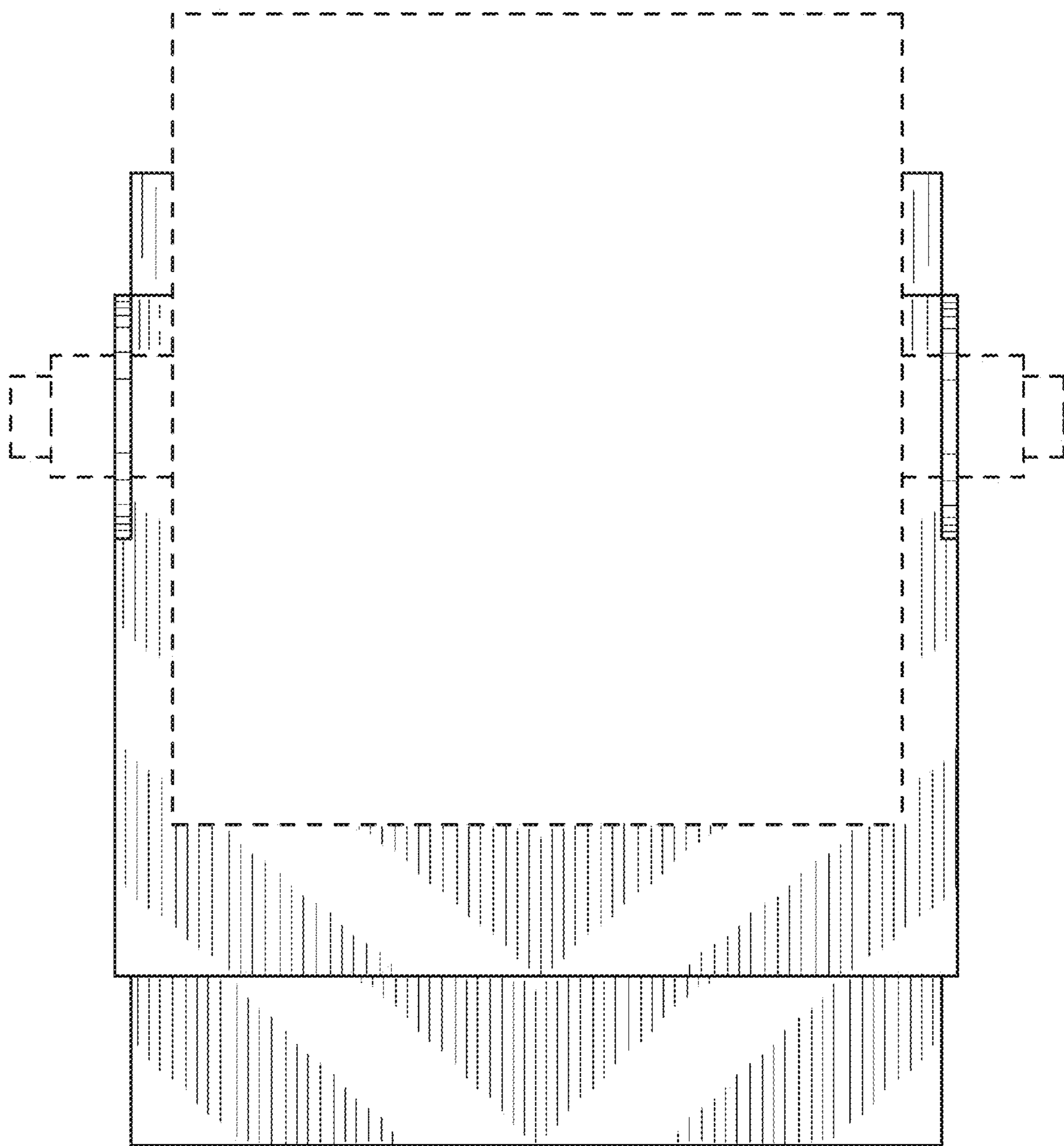


FIG. 3

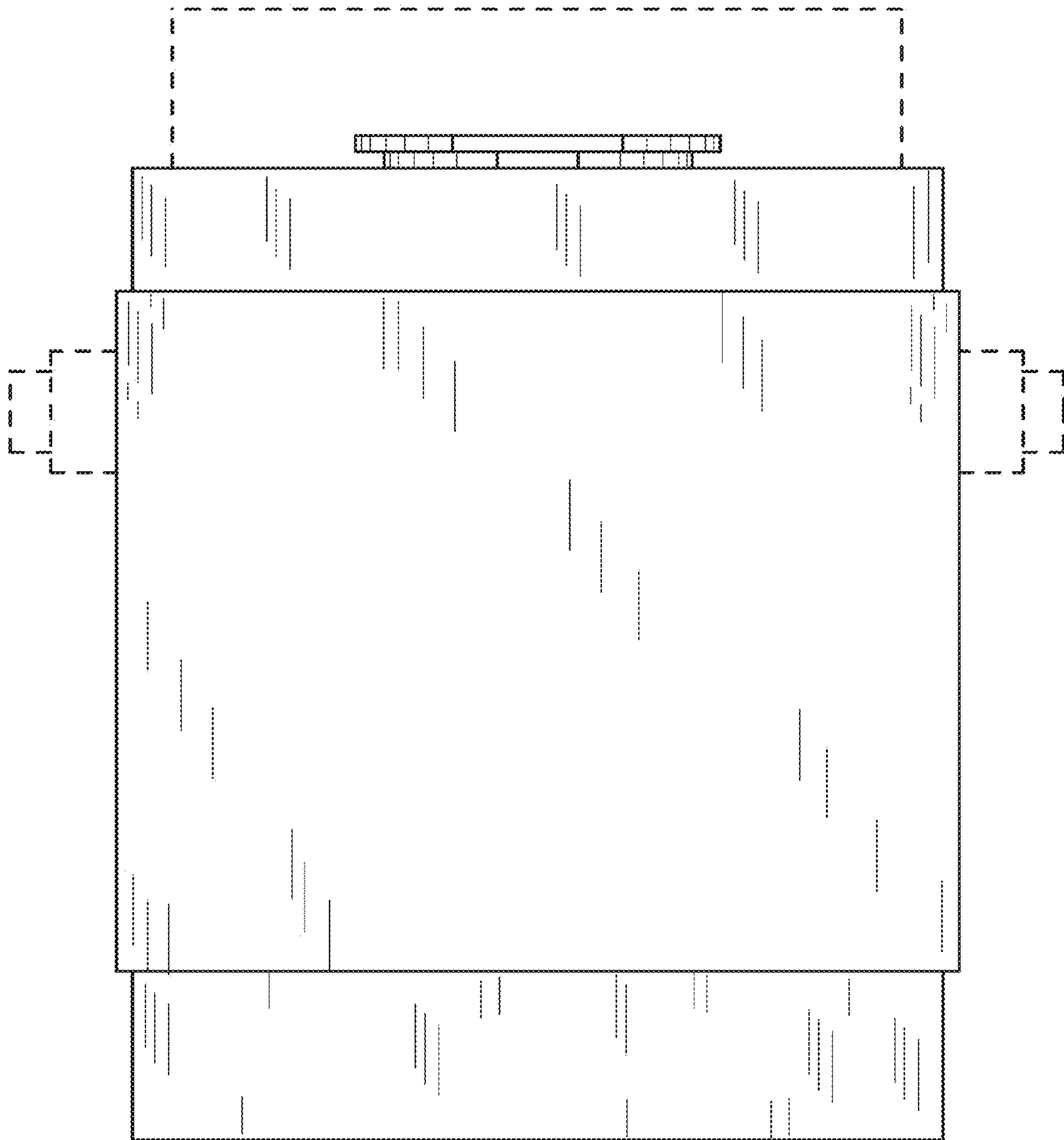


FIG. 4

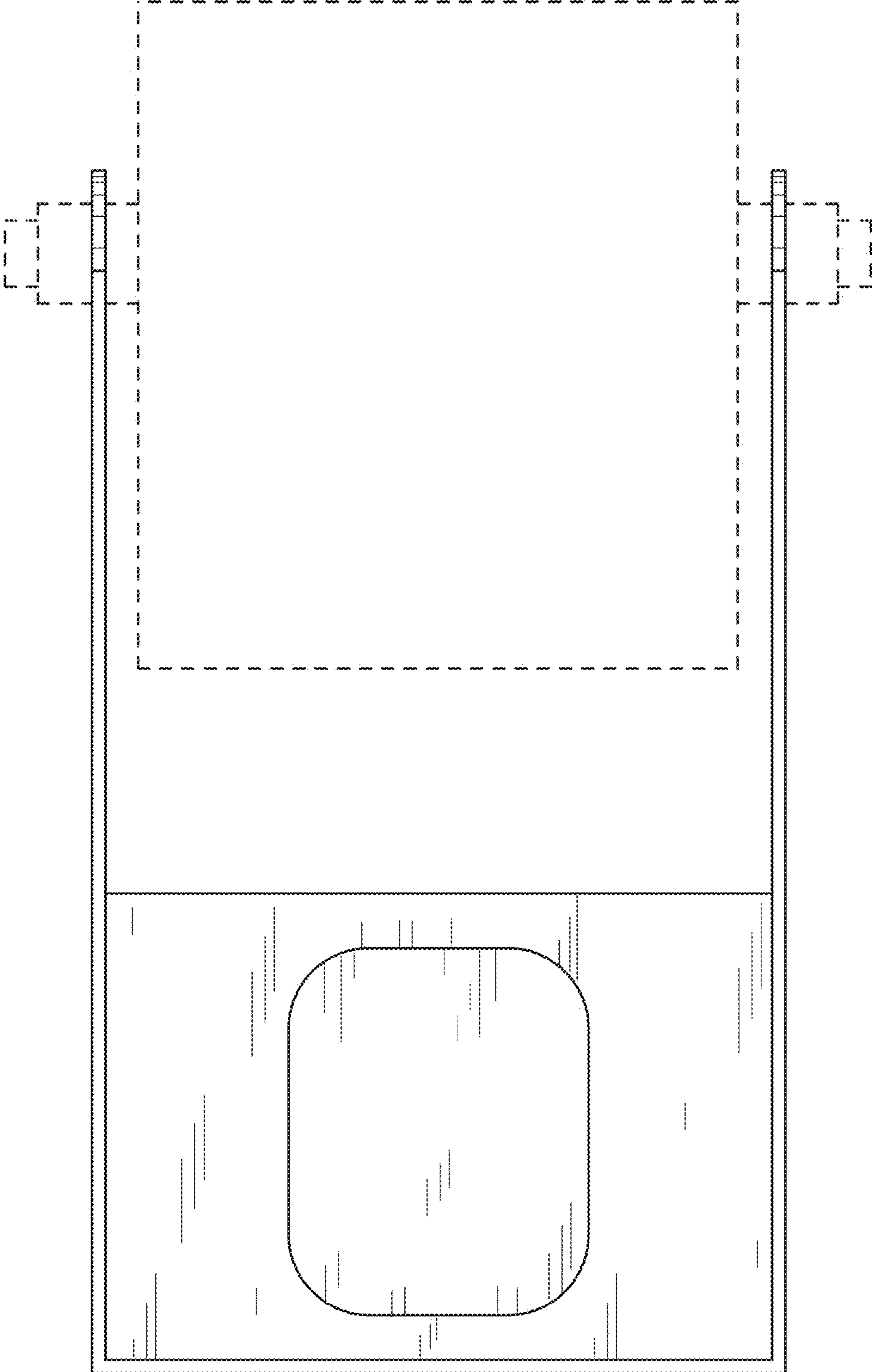


FIG. 5

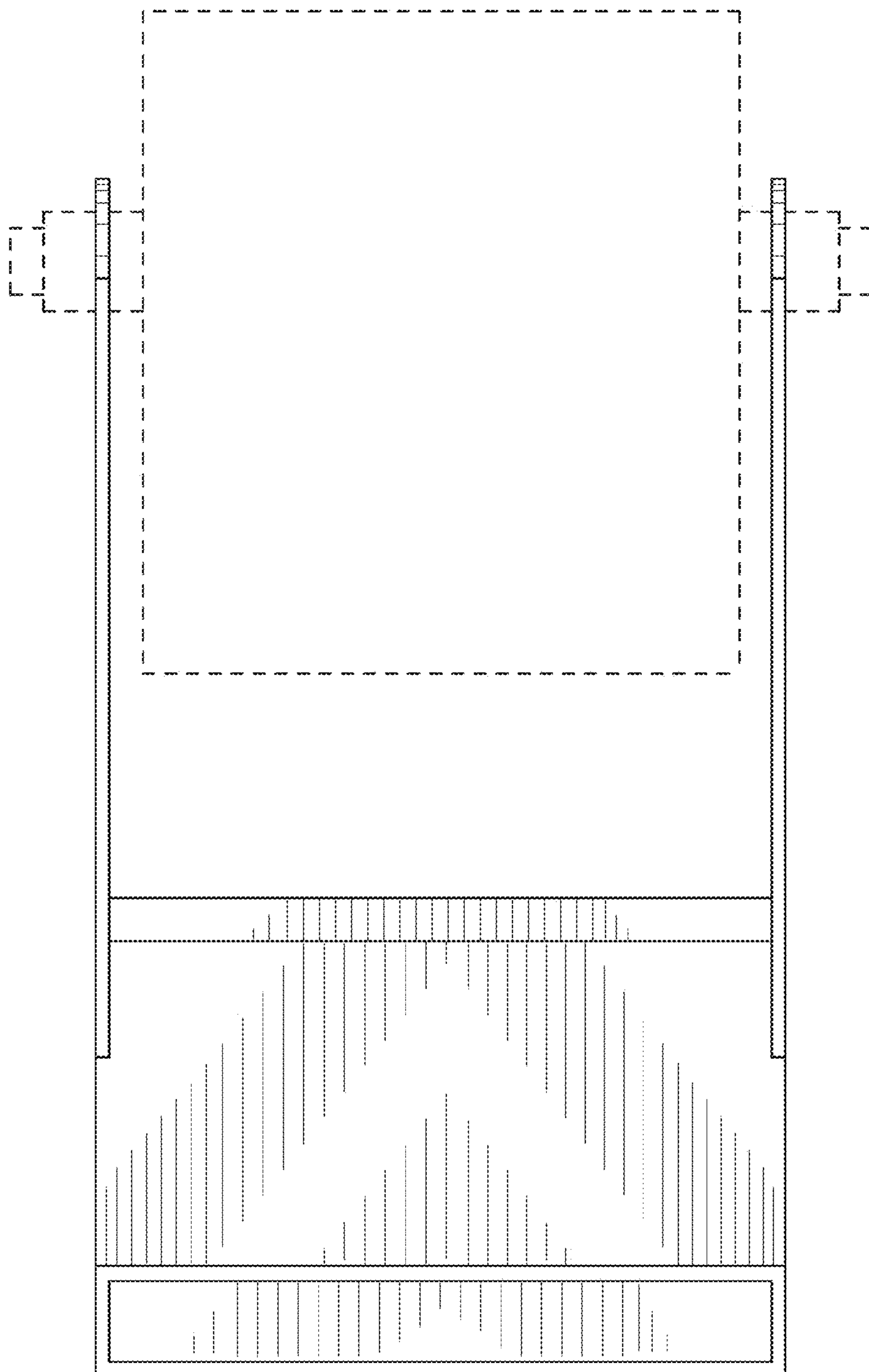


FIG. 6

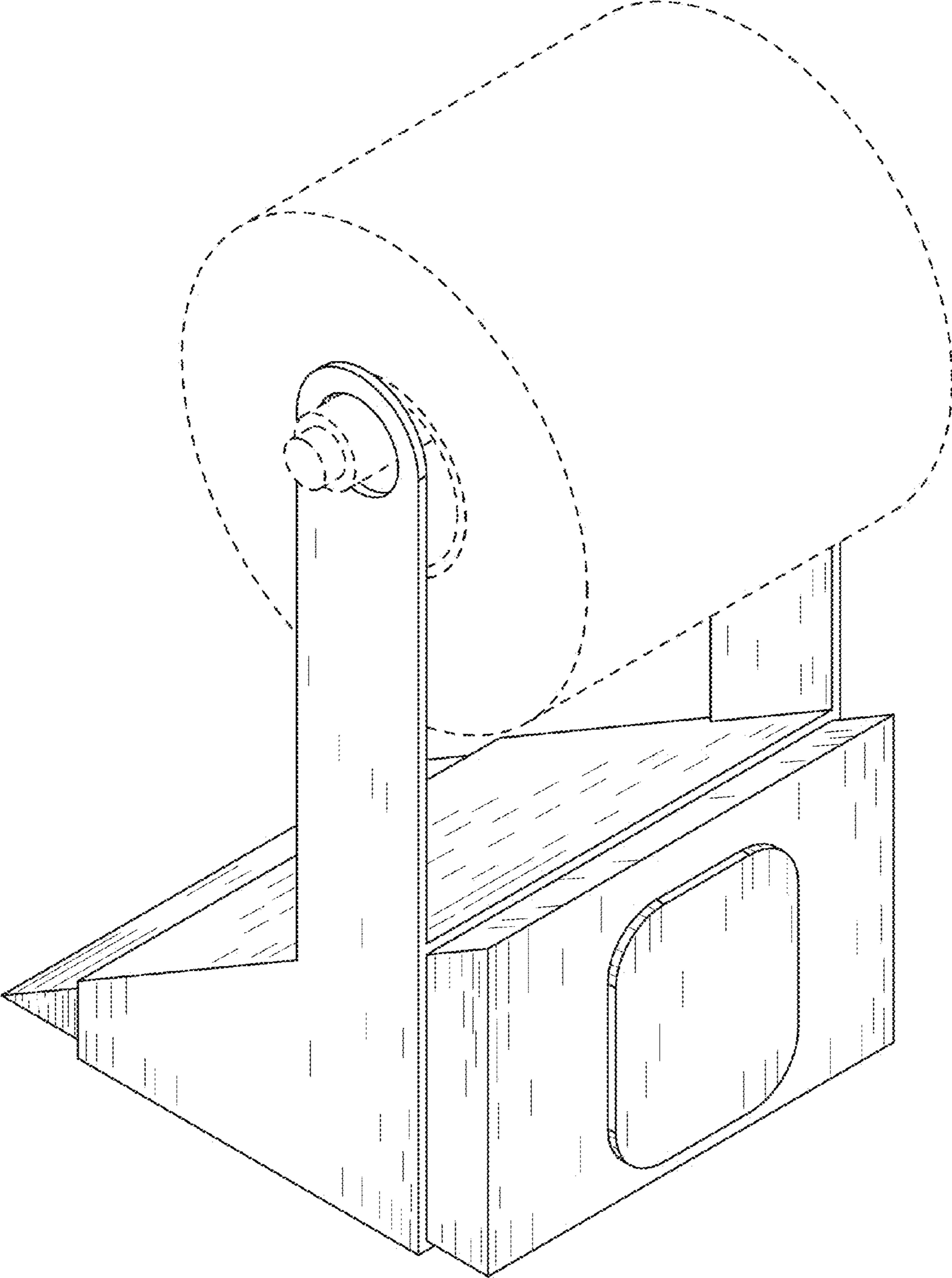


FIG. 7