



US00D700447S

(12) **United States Design Patent**  
**Diez et al.**

(10) **Patent No.:** **US D700,447 S**

(45) **Date of Patent:** **\*\* \*Mar. 4, 2014**

(54) **FURNITURE**

D6/716.1, 716.3, 716.4; 297/423.1, 445.1,  
297/446.1, 452.12, 452.29, 461

(71) Applicants: **Stefan Diez**, Munich (DE); **Philipp Mainzer**, Frankfurt am Main (DE)

See application file for complete search history.

(72) Inventors: **Stefan Diez**, Munich (DE); **Philipp Mainzer**, Frankfurt am Main (DE)

(56) **References Cited**

(73) Assignee: **e15 Design und Distributions GmbH**, Oberursel (DE)

U.S. PATENT DOCUMENTS

(\*) Notice: This patent is subject to a terminal disclaimer.

D360,551 S *	7/1995	Nakata .....	D6/502
D441,555 S *	5/2001	Voyce, IV .....	D6/360
D449,456 S *	10/2001	Muller .....	D6/360
D458,765 S *	6/2002	Barbieri .....	D6/349
D485,081 S *	1/2004	Bongaerts .....	D6/360
D535,828 S *	1/2007	Gasca Burges .....	D6/349
D621,173 S *	8/2010	Li .....	D6/360
D638,633 S *	5/2011	Du .....	D6/360

(\*\*) Term: **14 Years**

\* cited by examiner

(21) Appl. No.: **29/441,532**

*Primary Examiner* — Mimoso De

(22) Filed: **Jan. 7, 2013**

(74) *Attorney, Agent, or Firm* — Ladas & Parry, LLP

**Related U.S. Application Data**

(62) Division of application No. 29/371,074, filed on Oct. 12, 2010, now Pat. No. Des. 676,251.

(57) **CLAIM**

The ornamental design for furniture, as shown and described.

(30) **Foreign Application Priority Data**

Apr. 12, 2010 (EC) ..... 001693995

(51) **LOC (10) Cl.** ..... **06-01**

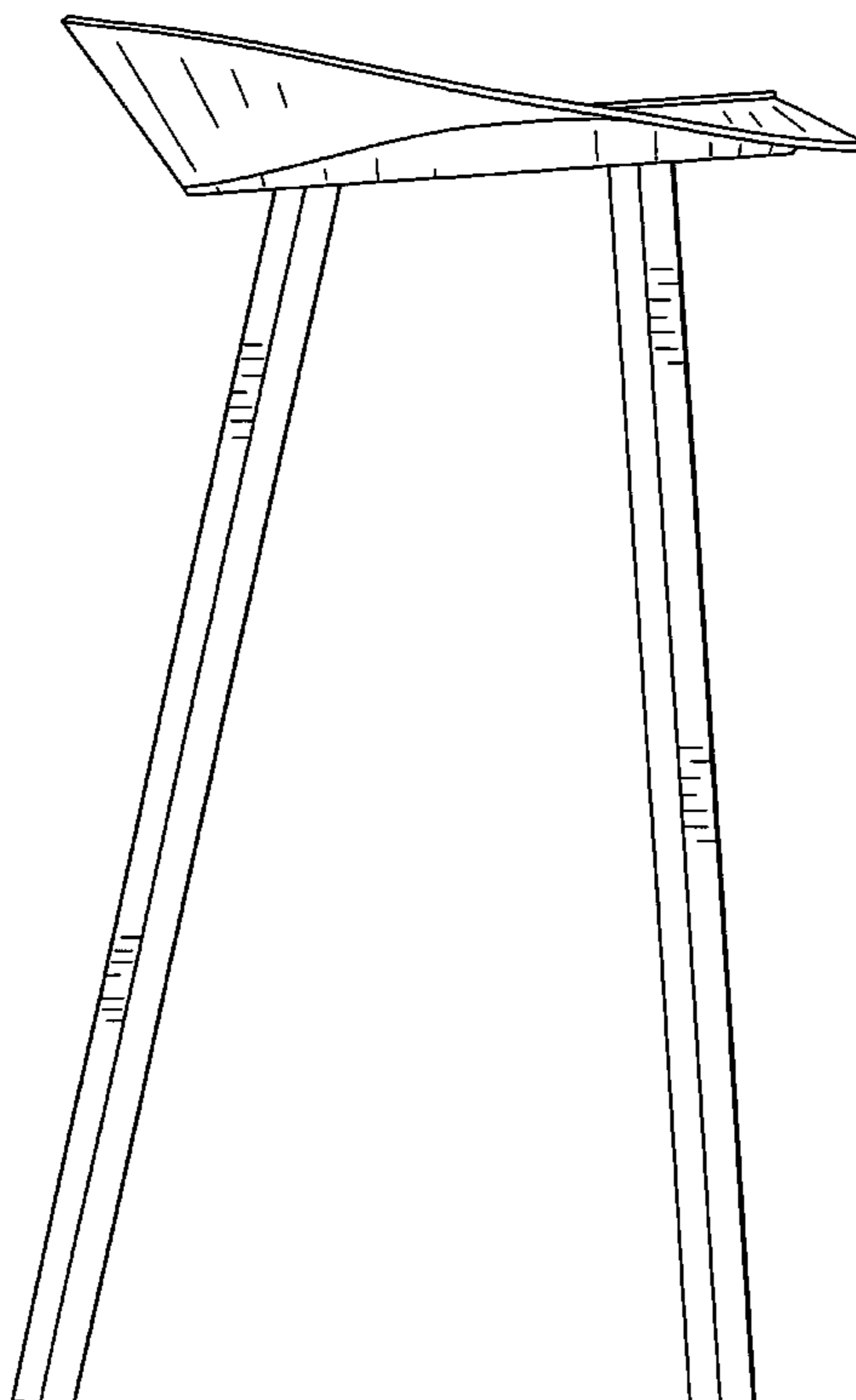
(52) **U.S. Cl.**  
USPC ..... **D6/360**

(58) **Field of Classification Search**  
USPC ..... D6/334-336, 349, 360, 364, 365, 374,  
D6/375, 376, 379, 380, 500-502, 716,

**DESCRIPTION**

FIG. 1 is a detailed front left perspective view showing my new design;  
FIG. 2 is a front left perspective view thereof;  
FIG. 3 is a left elevational view thereof;  
FIG. 4 is a top plan view thereof; and,  
FIG. 5 is a front elevational view thereof.

**1 Claim, 5 Drawing Sheets**



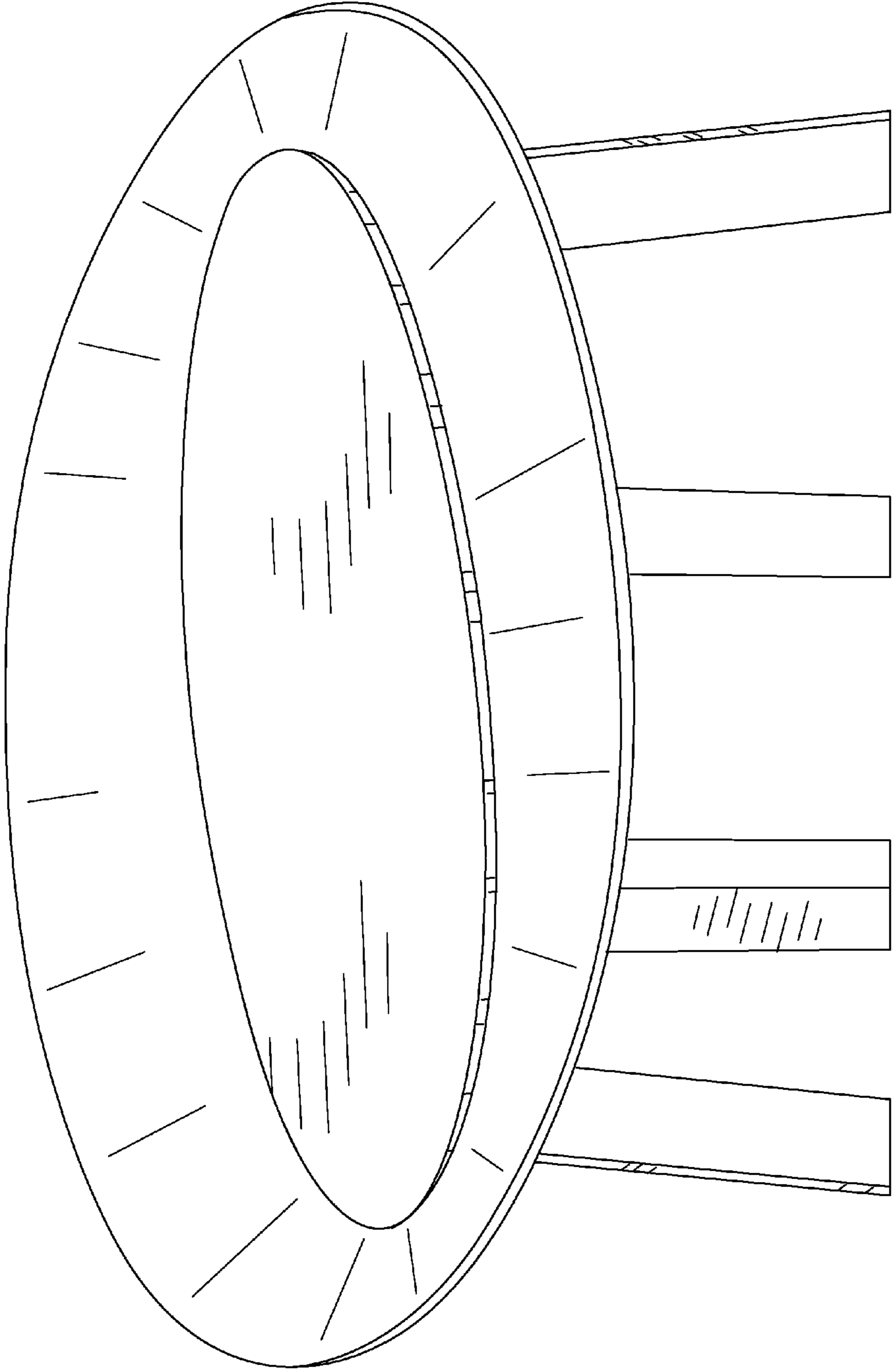


FIG. 1

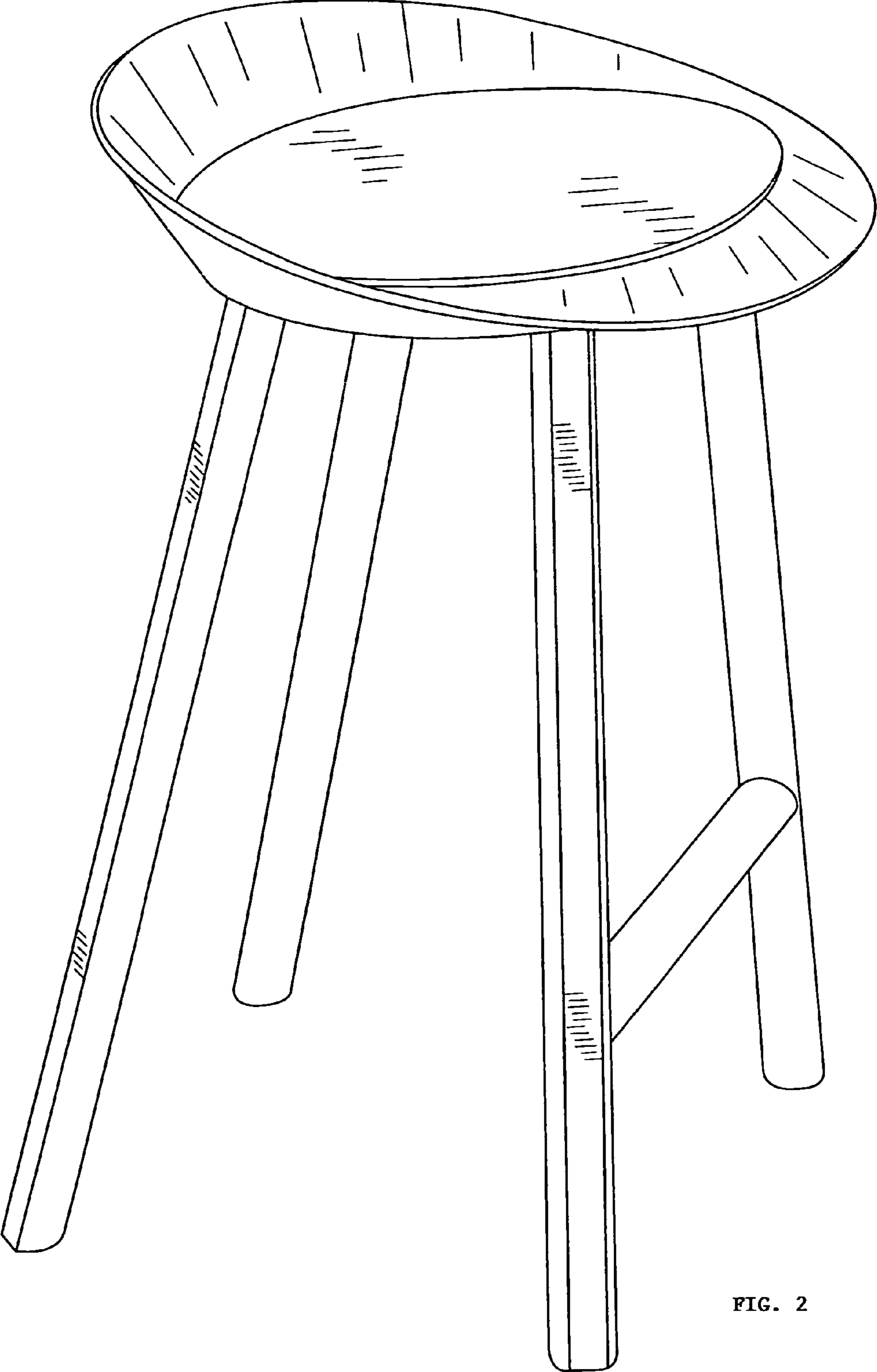


FIG. 2

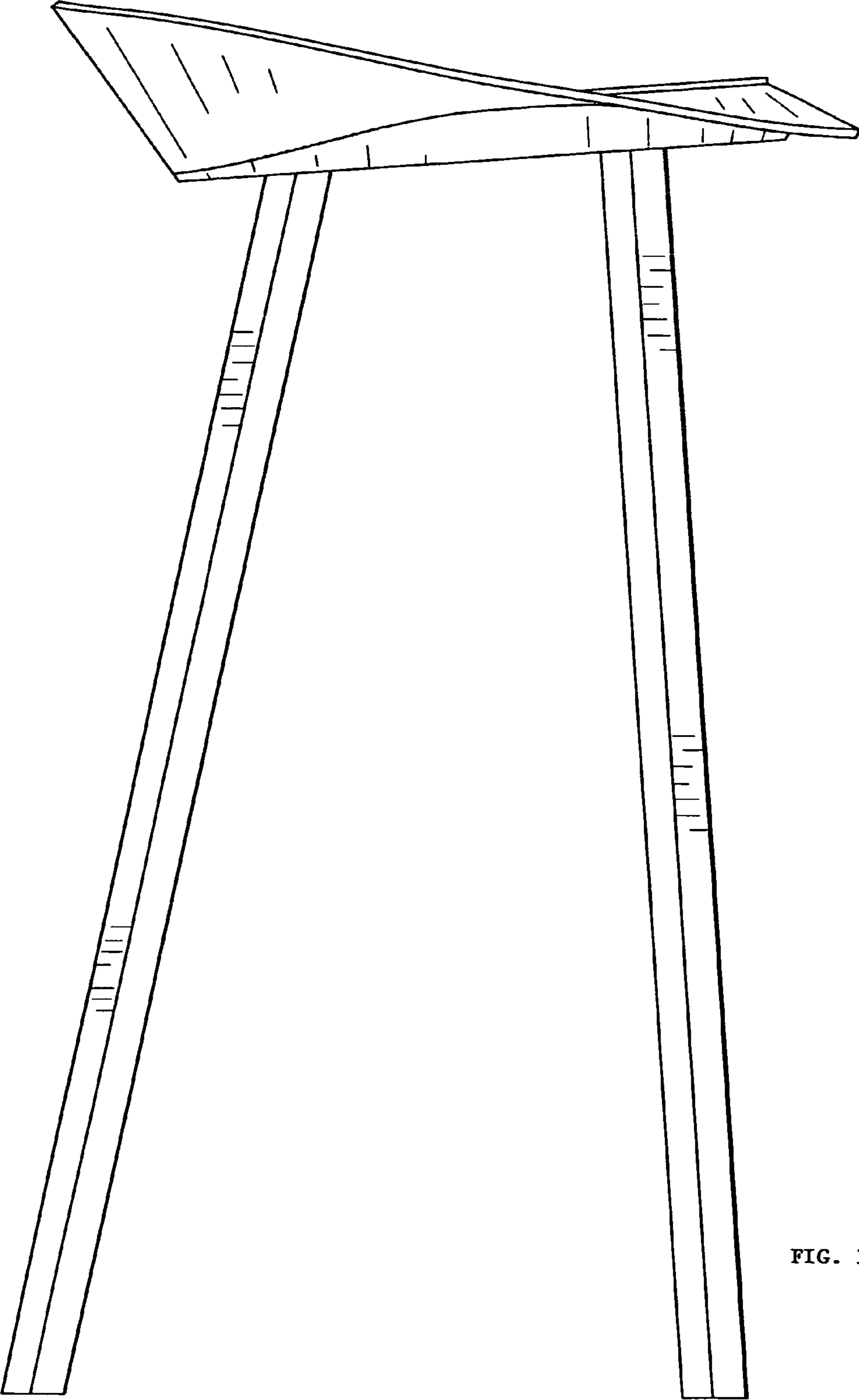


FIG. 3

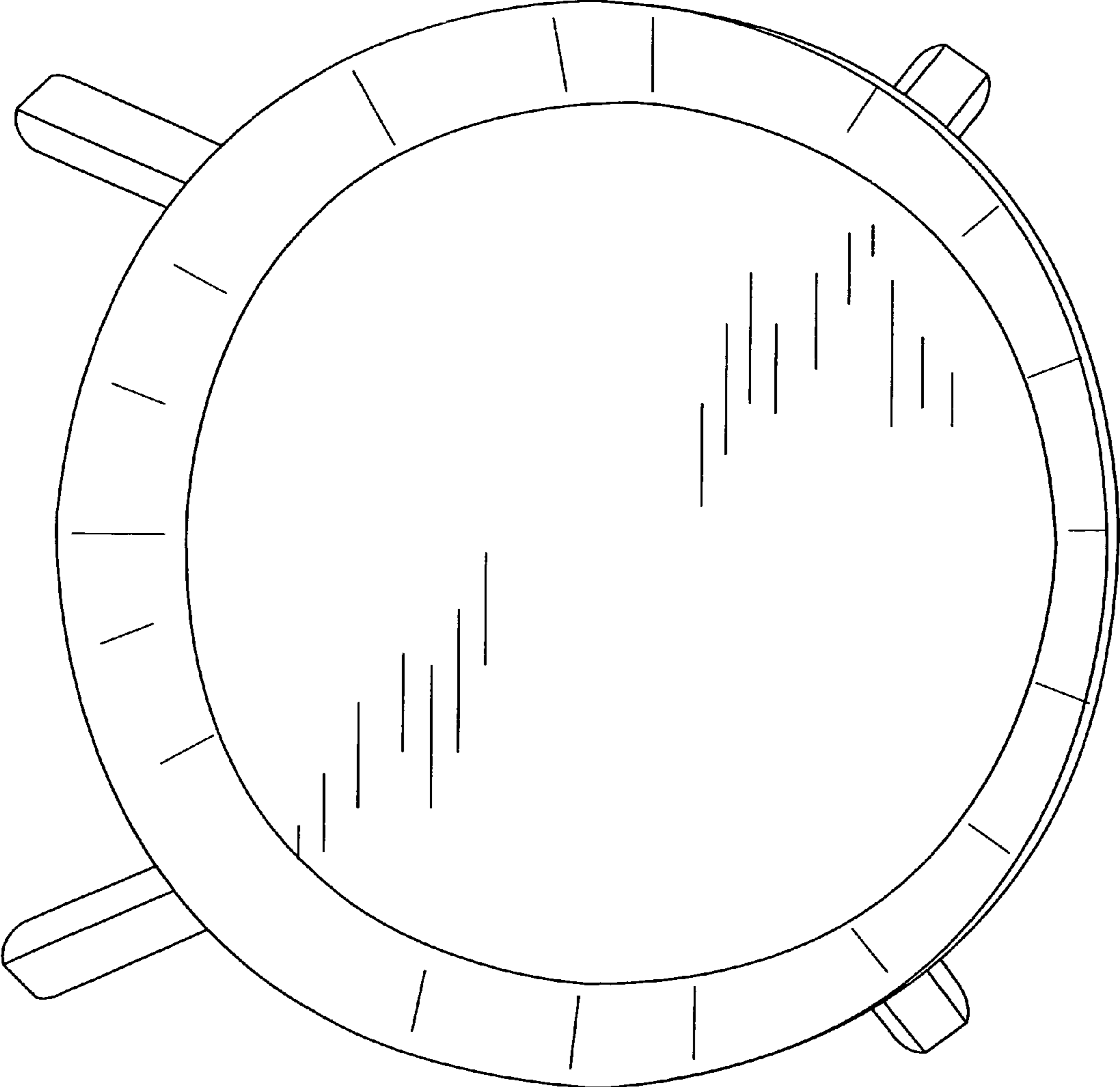


FIG. 4

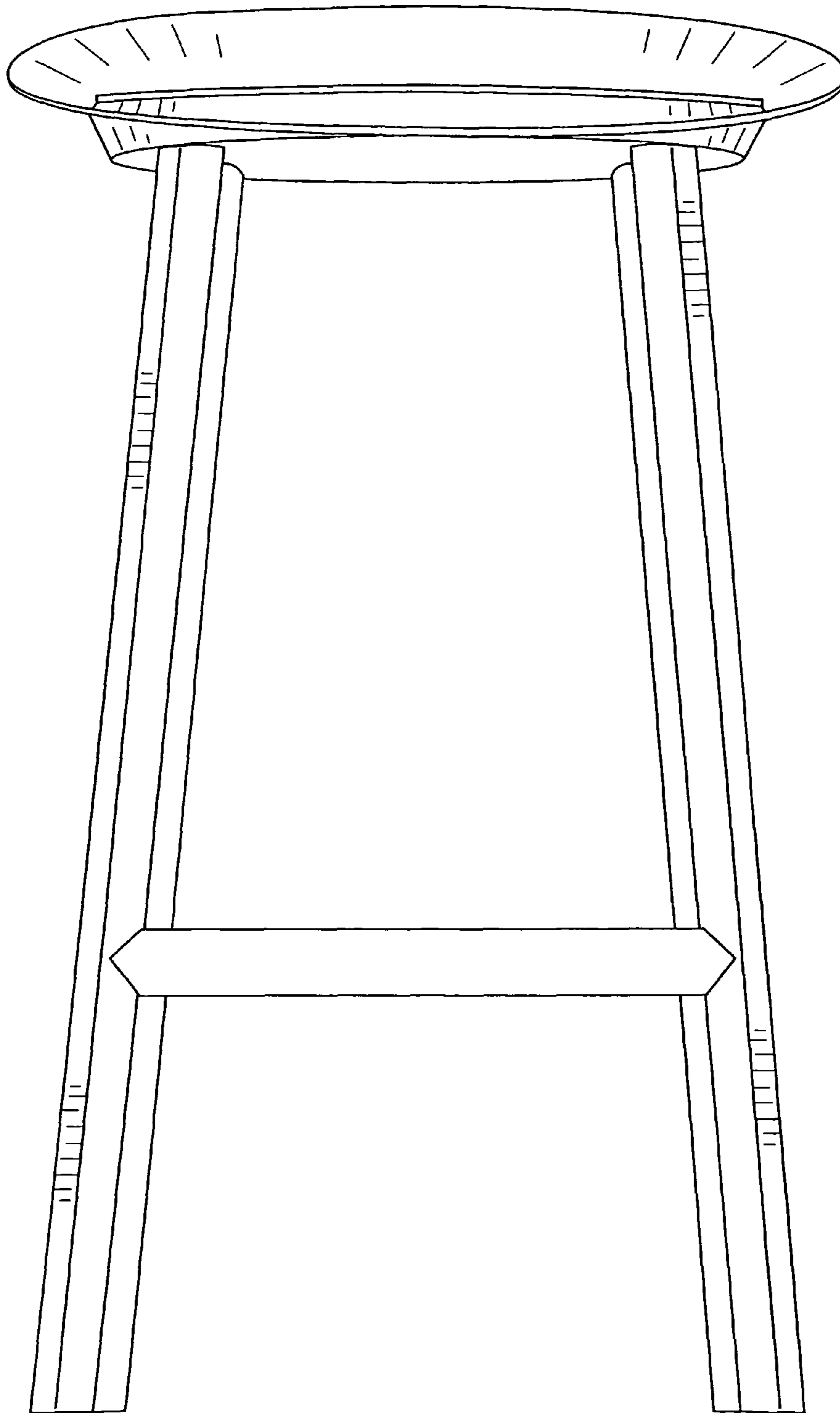


FIG. 5