



US00D700446S

(12) **United States Design Patent**
Rankin

(10) **Patent No.:** **US D700,446 S**
(45) **Date of Patent:** **** Mar. 4, 2014**

(54) **INTEGRATED TABLE AND CHAIR SET**

(71) Applicant: **Kirk Shervin Rankin**, George Town (KY)

(72) Inventor: **Kirk Shervin Rankin**, George Town (KY)

(**) Term: **14 Years**

(21) Appl. No.: **29/467,197**

(22) Filed: **Sep. 17, 2013**

(51) **LOC (10) Cl.** **06-01**

(52) **U.S. Cl.**
USPC **D6/338**

(58) **Field of Classification Search**
USPC D6/334-338, 349, 355, 361, 368-370, D6/376, 379-381, 716, 716.1, 716.2, 340, D6/354; 297/16.1, 42, 94, 135, 175, 232, 297/233, 350, 351, 445.1, 448.1, 448.2, 297/451.9; 5/12.1, 12.2

See application file for complete search history.

(56) **References Cited**

U.S. PATENT DOCUMENTS

D242,305 S *	11/1976	Campbell	D6/337
D276,927 S *	12/1984	Bolin	D21/521
D282,608 S *	2/1986	Crowe	D6/337
4,621,865 A *	11/1986	Herrera	297/158.3
D296,620 S *	7/1988	Herrera	D6/337
D354,867 S *	1/1995	Lee	D6/335
D366,156 S *	1/1996	Babcock et al.	D6/346
D417,965 S *	12/1999	Strong et al.	D6/337

D420,812 S *	2/2000	Chipman et al.	D6/335
D444,306 S *	7/2001	Jaisinghani	D6/336
D487,358 S *	3/2004	Tseng	D6/344
D511,417 S *	11/2005	Astle et al.	D6/337
D551,878 S *	10/2007	Cohen	D6/442
D565,849 S *	4/2008	Newhouse	D6/338

* cited by examiner

Primary Examiner — Sandra Snapp

(74) *Attorney, Agent, or Firm* — Michael J. Feigin, Esq.; Feigin & Associates, LLC

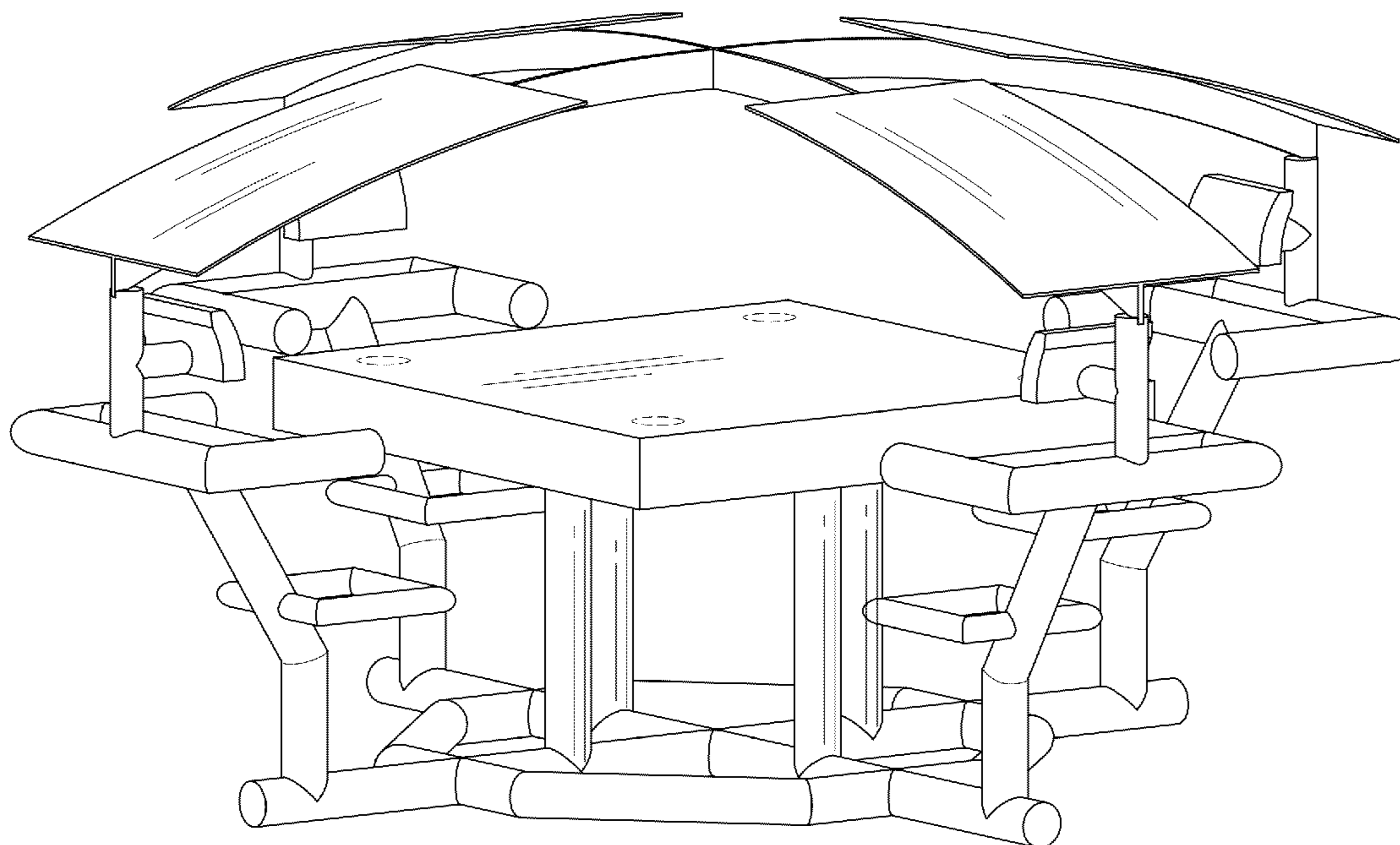
(57) **CLAIM**

The ornamental design for the integrated table and chair set, as shown and described.

DESCRIPTION

FIG. 1 shows a top perspective view of an integrated table and chair set, the opposite top perspective view being identical. FIG. 2 shows a bottom perspective view thereof, the opposite bottom perspective view being identical. FIG. 3 shows a side elevation view thereof, other side elevation views turned along the X-axis at 90 degree increments being identical. FIG. 4 shows a top plan view thereof. FIG. 5 shows a bottom plan view thereof; and, FIG. 6 shows a side elevation view turned 45 degrees with respect to the view shown in FIG. 3, other side elevation views turned along the X-axis at 90 degree increments being identical. The broken lines shown in the drawings illustrate portions of a triple ring setting for illustration purposes only, and form no part of the claimed design.

1 Claim, 6 Drawing Sheets



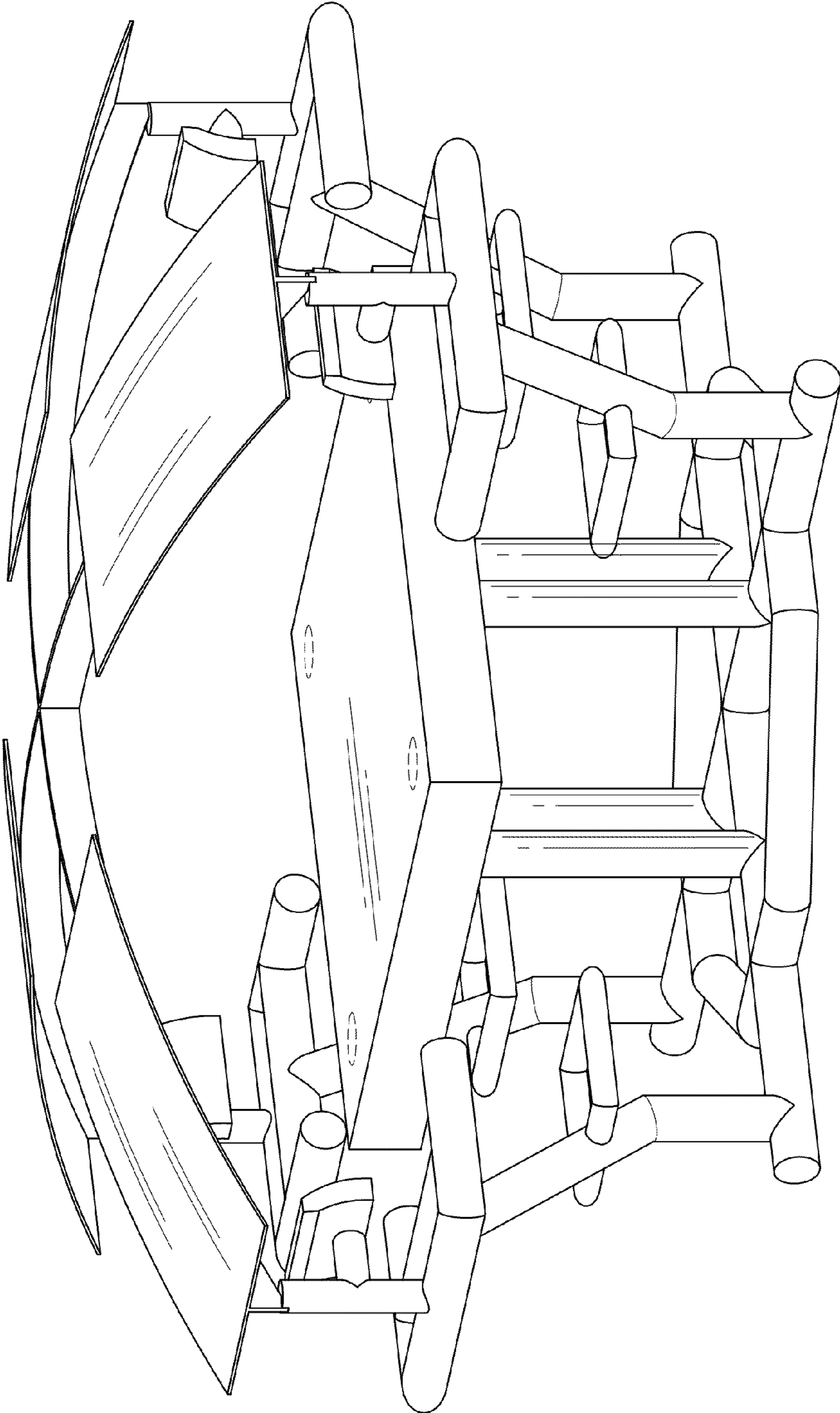


FIG. 1

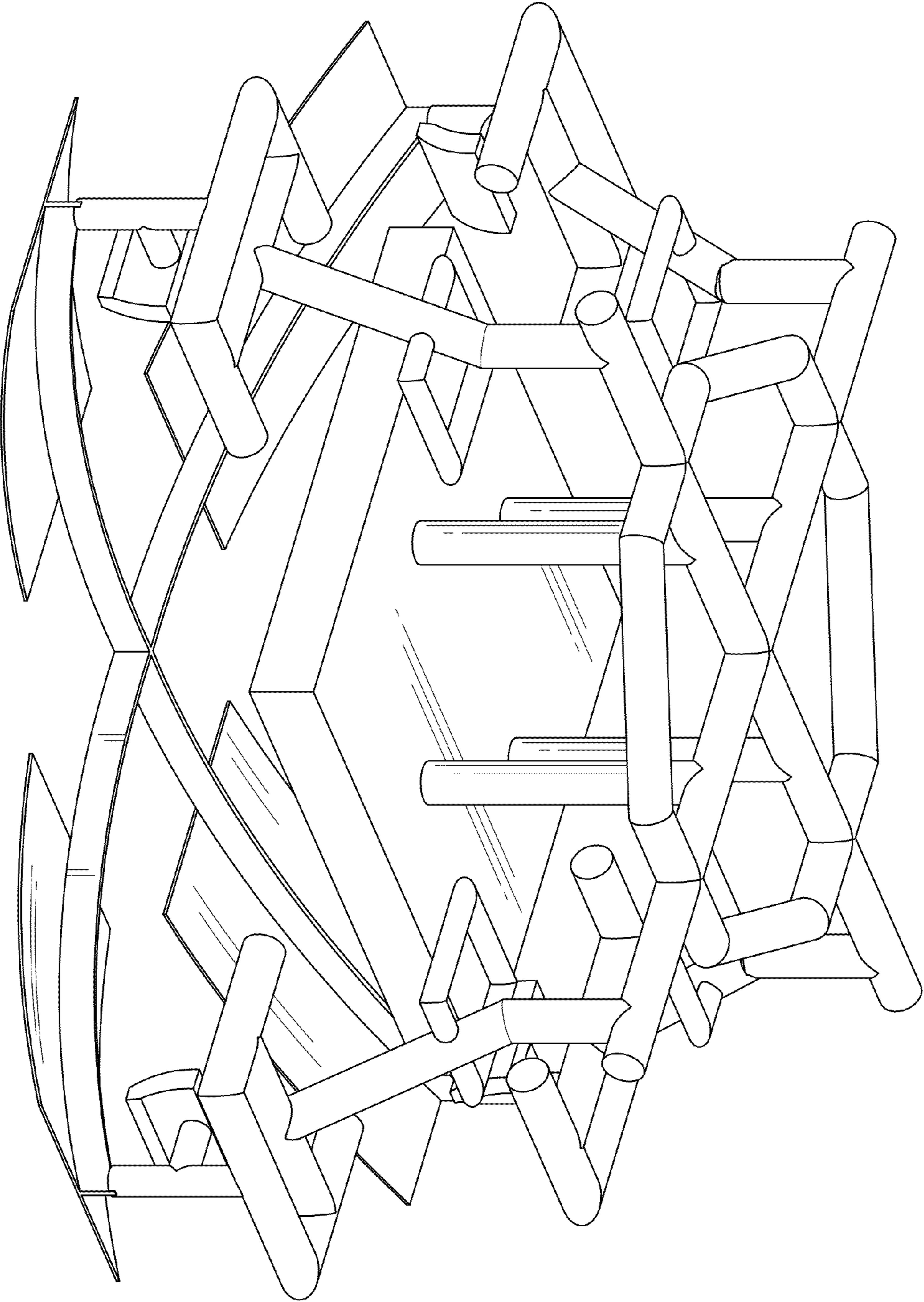


FIG. 2

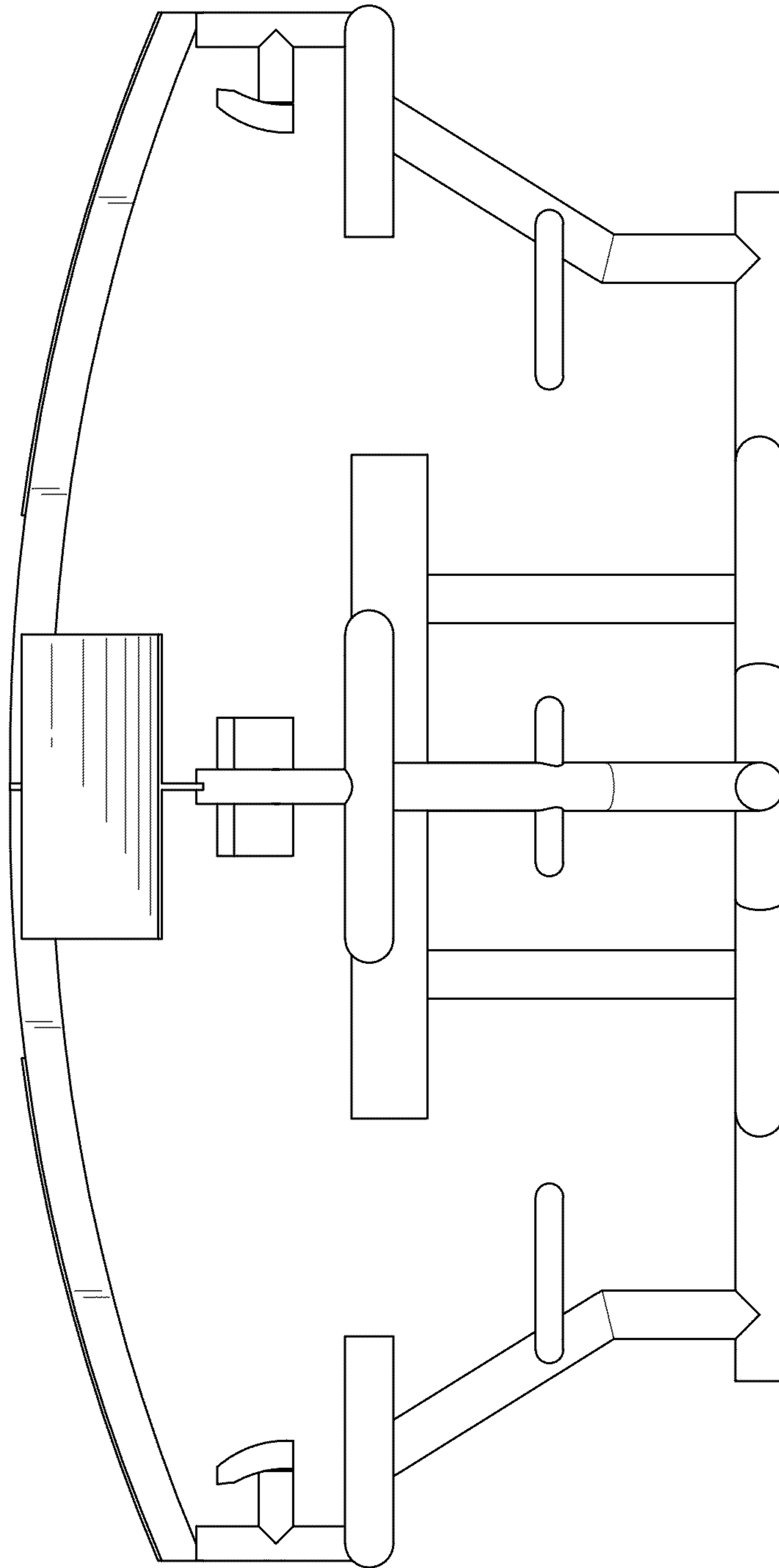


FIG. 3

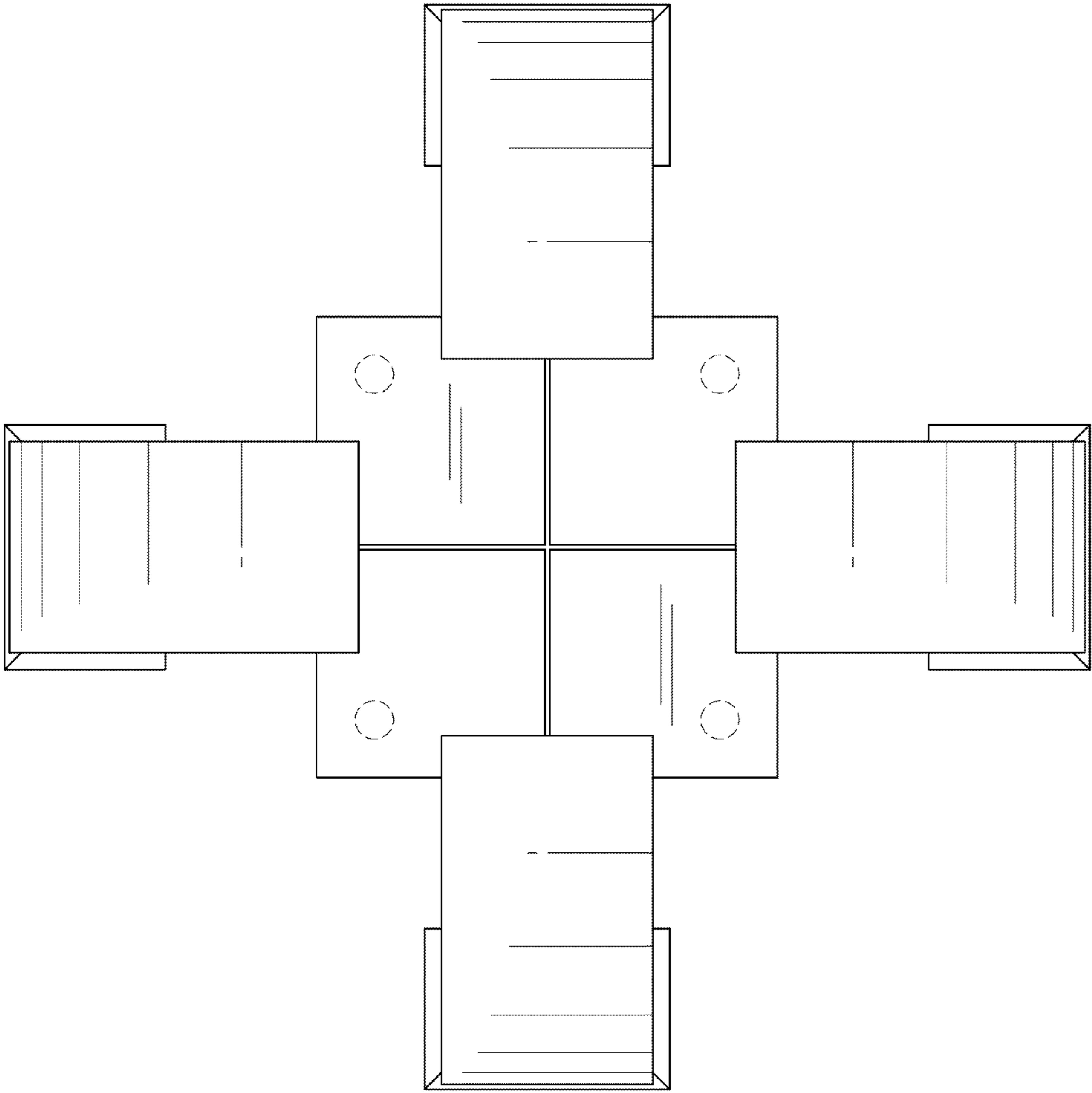


FIG. 4

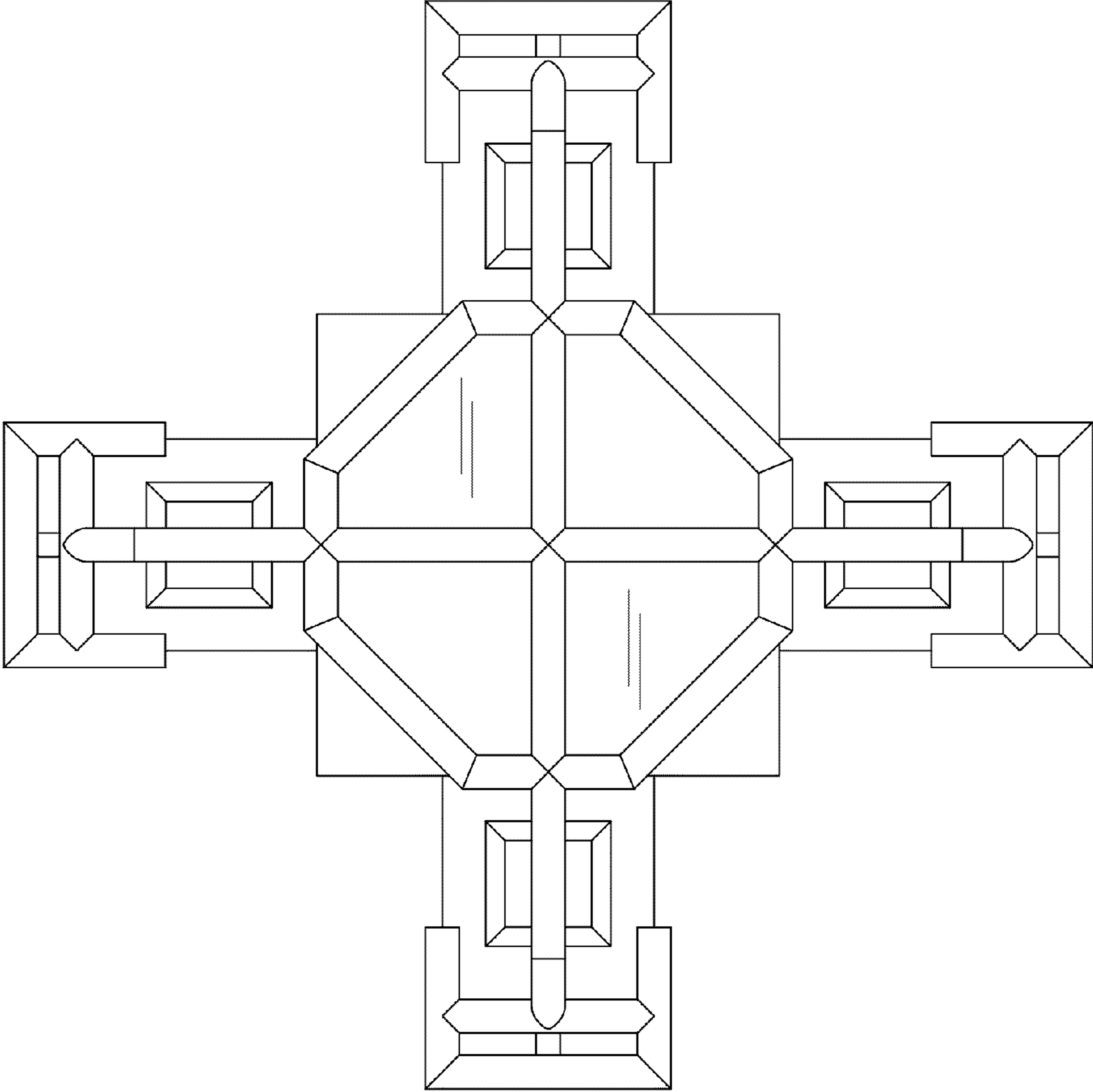


FIG. 5

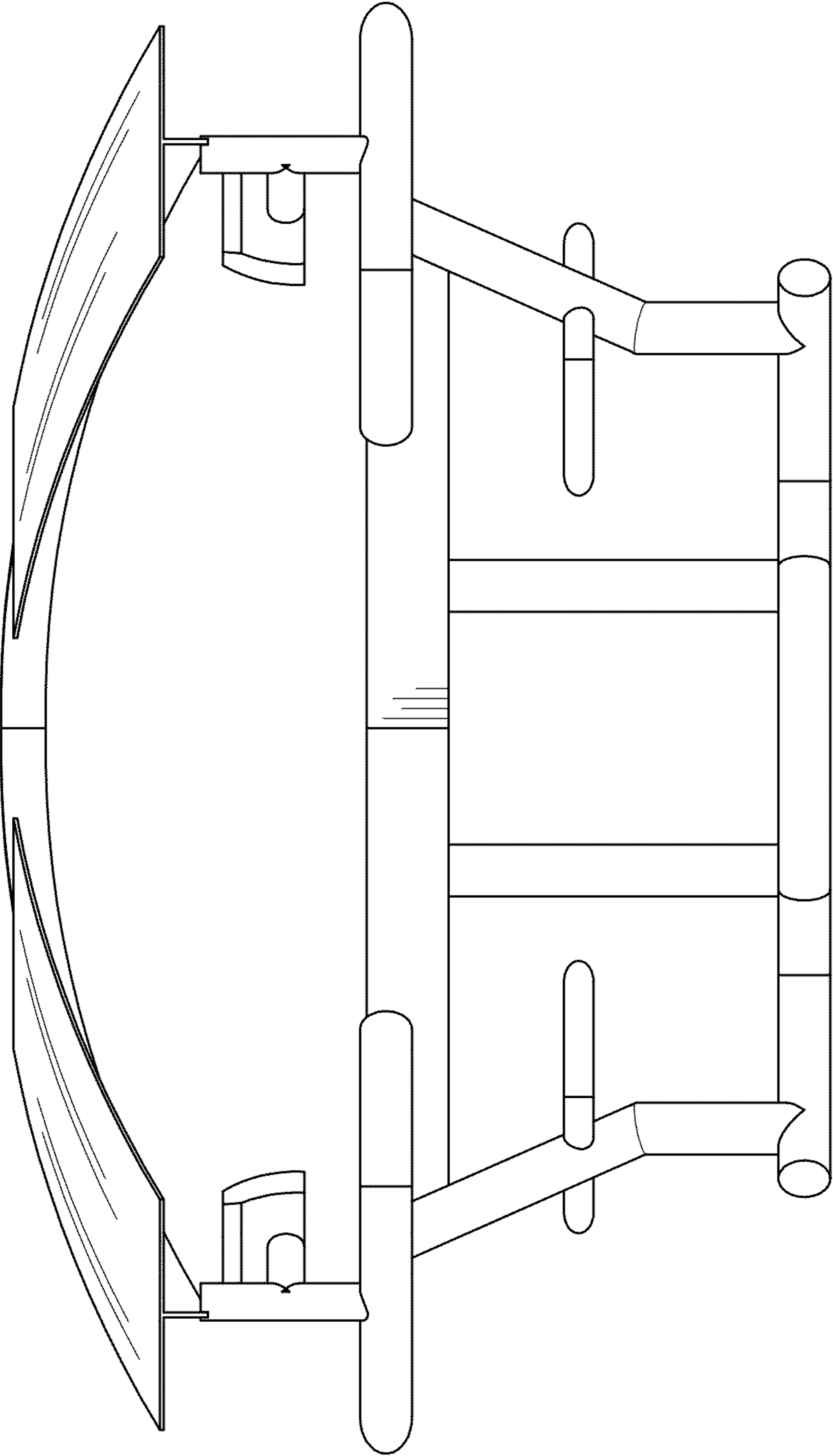


FIG. 6