



US00D700444S

(12) **United States Design Patent**
Berglund

(10) **Patent No.:** **US D700,444 S**
(45) **Date of Patent:** **** Mar. 4, 2014**

- (54) **HANGER**
- (71) Applicant: **Stephen Berglund**, Fresno, CA (US)
- (72) Inventor: **Stephen Berglund**, Fresno, CA (US)
- (**) Term: **14 Years**
- (21) Appl. No.: **29/460,441**
- (22) Filed: **Jul. 10, 2013**

- 2,815,785 A 12/1957 Vail
- 2,861,735 A 11/1958 Faltin
- 3,142,324 A 7/1964 Fremont
- 3,164,187 A 1/1965 Simmons
- 3,388,777 A 6/1968 Nolan
- 3,495,763 A 2/1970 Schmidt et al.
- 3,558,038 A 1/1971 Gelles et al.
- D223,700 S 5/1972 Kamins et al.
- 3,670,947 A 6/1972 Tangredi et al.
- 3,929,224 A 12/1975 Smith, Jr.
- 3,934,497 A 1/1976 Hannah
- D242,764 S 12/1976 Kamins
- 4,000,768 A 1/1977 Siegel
- 4,084,689 A 4/1978 Yamagata
- 4,189,036 A 2/1980 Pelavin

Related U.S. Application Data

- (63) Continuation-in-part of application No. 29/447,650, filed on Mar. 5, 2013, now Pat. No. Des. 688,867.
- (51) **LOC (10) Cl.** **06-08**
- (52) **U.S. Cl.**
USPC **D6/319**
- (58) **Field of Classification Search**
USPC D6/315-328; 223/85-98; 211/13.1, 10, 211/86.01, 87.01, 85.2, 113; D9/443; D8/301, 306
See application file for complete search history.

(Continued)

OTHER PUBLICATIONS

Cleaner's Supply advertisement for "Converta" bag dated Jan. 4, 2010.

(Continued)

Primary Examiner — Derrick Holland
Assistant Examiner — Lauren Calve

(74) *Attorney, Agent, or Firm* — Mark D. Miller

(56) **References Cited**

U.S. PATENT DOCUMENTS

- 1,305,797 A 6/1919 Henderson
- 1,452,644 A 4/1923 Kennedy
- 1,463,002 A 7/1923 Barnet
- 1,476,423 A 12/1923 Salisbury
- 1,537,956 A 5/1925 McNally
- 1,666,704 A 4/1928 Hunter
- 1,870,169 A 8/1932 Brown
- 2,088,232 A 7/1937 Cumming
- D115,502 S 7/1939 Kohl
- 2,170,841 A 8/1939 Thies et al.
- 2,210,755 A 8/1940 Frank
- 2,534,380 A 12/1950 Schwartzman
- 2,637,424 A 5/1953 Duskin
- D174,064 S 2/1955 Snook
- D179,745 S * 2/1957 Snook D6/319

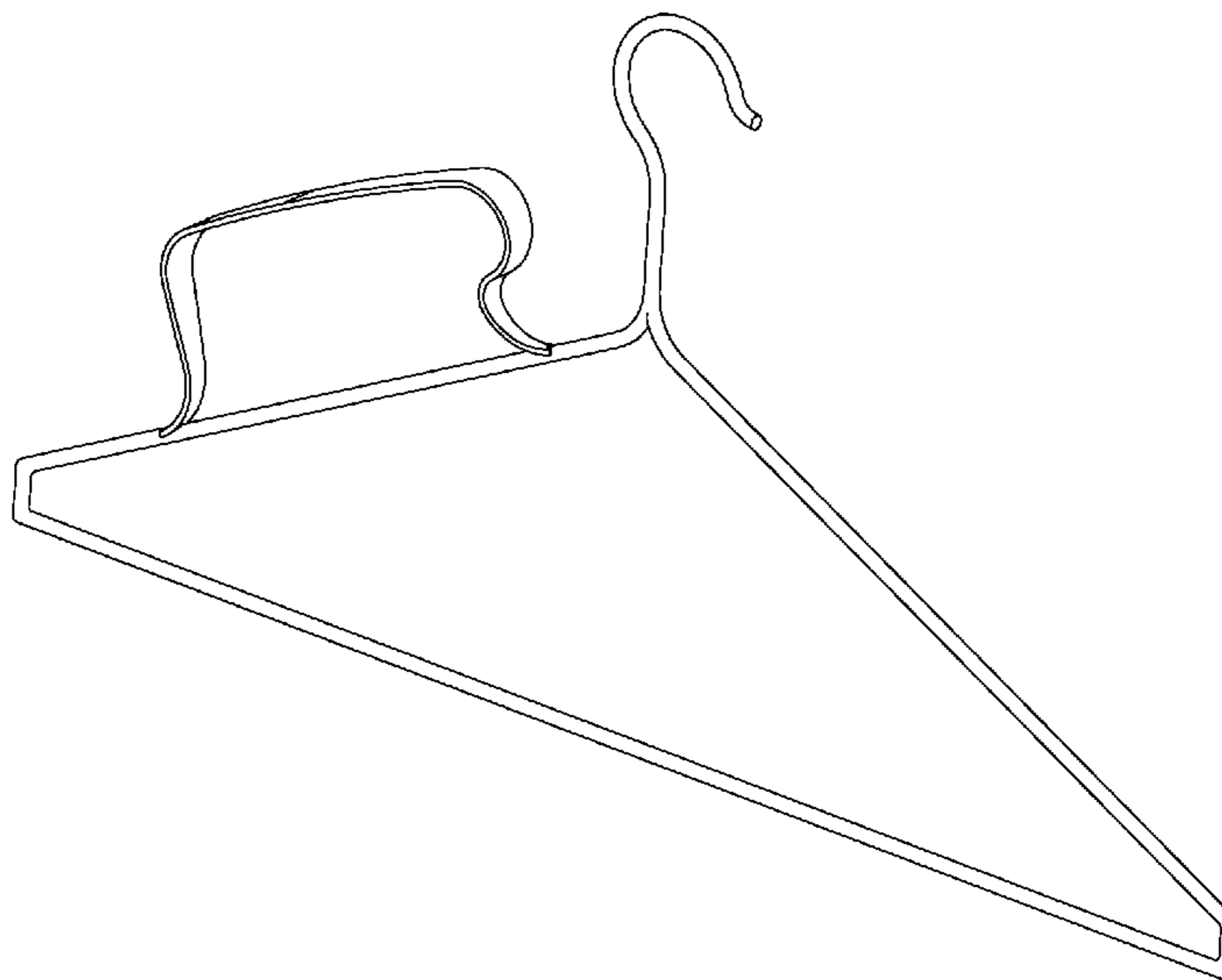
(57) **CLAIM**

I claim the ornamental design for a hanger, as shown and described.

DESCRIPTION

FIG. 1 is a front perspective view of a hanger showing my new design;
FIG. 2 is a rear perspective view thereof;
FIG. 3 is front elevational view thereof;
FIG. 4 is a bottom plan view thereof;
FIG. 5 is a top plan view thereof;
FIG. 6 is a left side elevational view thereof; and,
FIG. 7 is a right side elevational view thereof.

1 Claim, 3 Drawing Sheets



(56)

References Cited

U.S. PATENT DOCUMENTS

4,244,453	A	1/1981	Herz	
4,390,087	A	6/1983	Goldfinger	
4,391,396	A	7/1983	Brady	
4,401,219	A	8/1983	Mink	
4,438,844	A	3/1984	Kesselman et al.	
D282,315	S	1/1986	Allen	
4,580,667	A	4/1986	Herwood	
4,590,610	A	5/1986	Rhyne	
D307,360	S	4/1990	McAllister D6/318
5,002,183	A	3/1991	Okano	
5,010,987	A	4/1991	Evans	
D321,790	S	11/1991	Martorella	
5,062,717	A	11/1991	Shockley	
5,065,864	A	11/1991	Schmitt	
5,090,559	A	2/1992	Gendreau	
D327,371	S	6/1992	Walker D6/318
5,117,974	A	6/1992	Bieber	
5,253,775	A	10/1993	Gould	
5,370,230	A	12/1994	Cox	
D369,025	S	4/1996	Miller	
D371,737	S	7/1996	May	

D377,863	S	2/1997	Van Skiver	
5,628,398	A	5/1997	Jackson	
D383,904	S	9/1997	Stewart	
D385,419	S	10/1997	Ibigbami	
D422,903	S	4/2000	Lim	
6,296,094	B1	10/2001	Knecht	
6,708,819	B1	3/2004	Lee	
6,811,027	B2	11/2004	Alexander	
D499,548	S	12/2004	Deutschendorf et al.	
D505,547	S	5/2005	Whipple	
D602,760	S	10/2009	Davis	
D633,715	S	3/2011	Berglund	
D637,396	S	5/2011	Berglund	
D651,404	S	1/2012	Berglund	
2003/0102230	A1	6/2003	Gregorcic	
2003/0179958	A1	9/2003	Chiang et al.	
2007/0183691	A1	8/2007	Finnegan	

OTHER PUBLICATIONS

Advertisement for "Green Garmento" bag, American Drycleaner, p. 25, Jan. 2010.
 U.S. Trademark Registration No. 1768697 dated May 14, 1993.

* cited by examiner

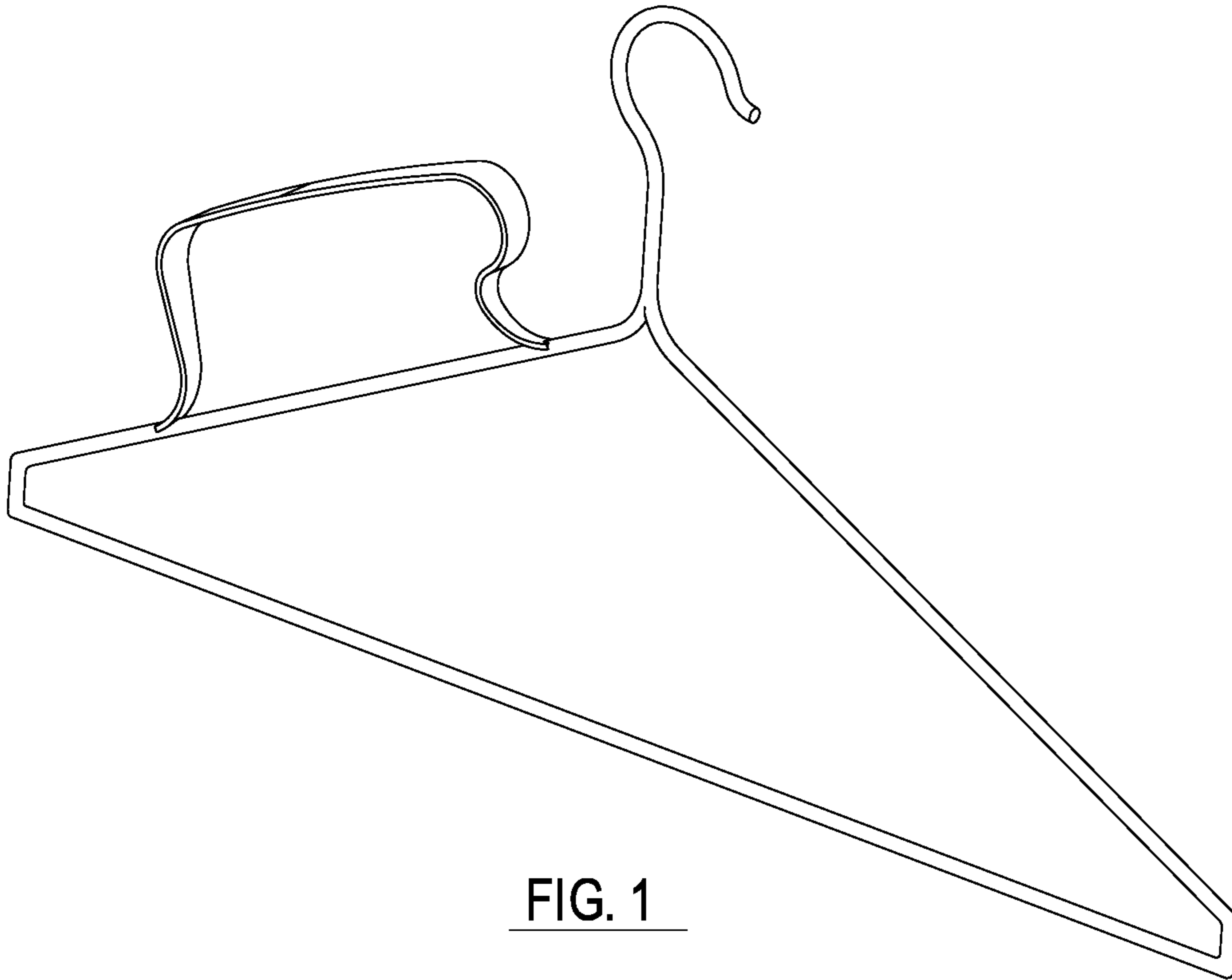


FIG. 1

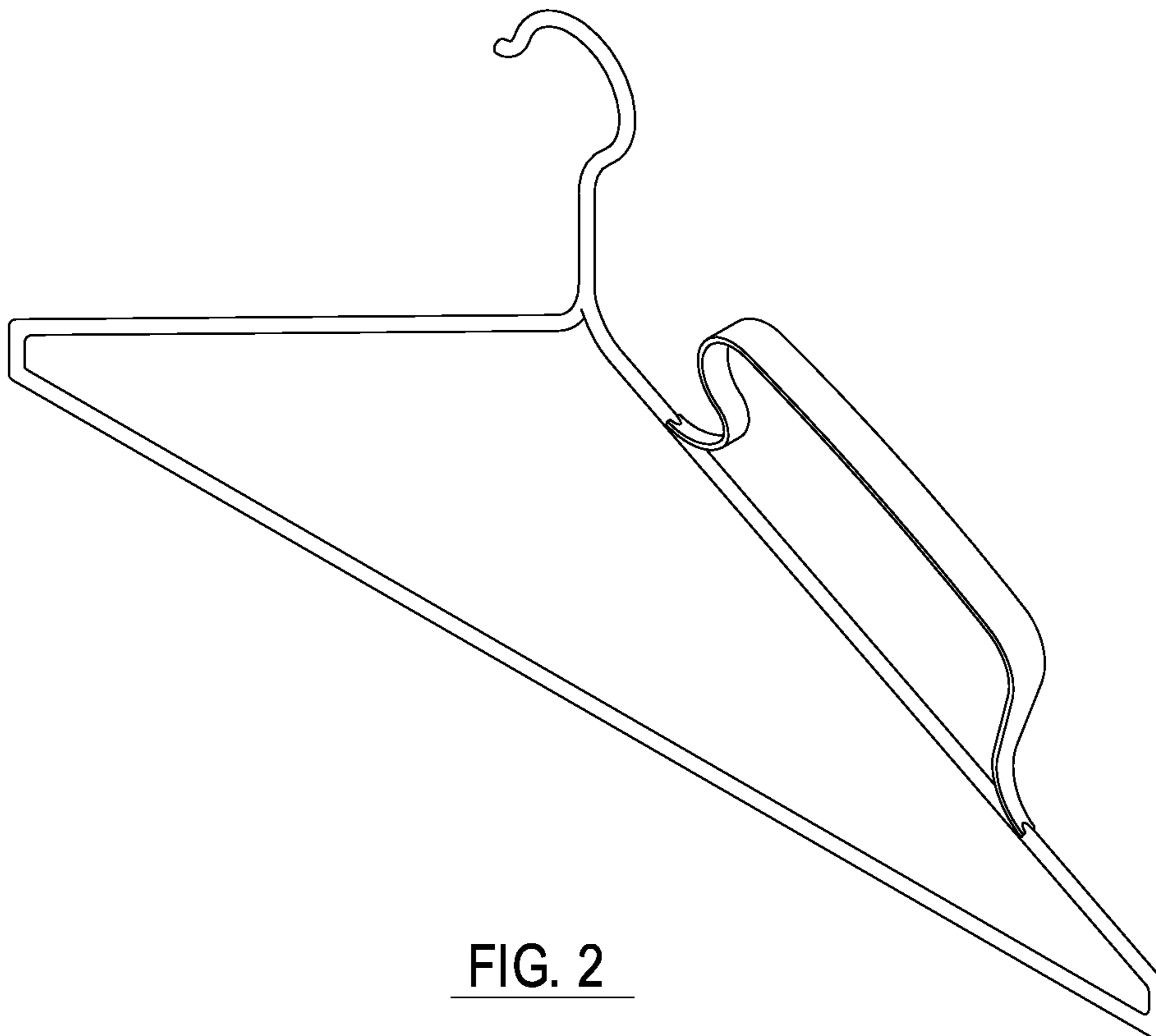


FIG. 2

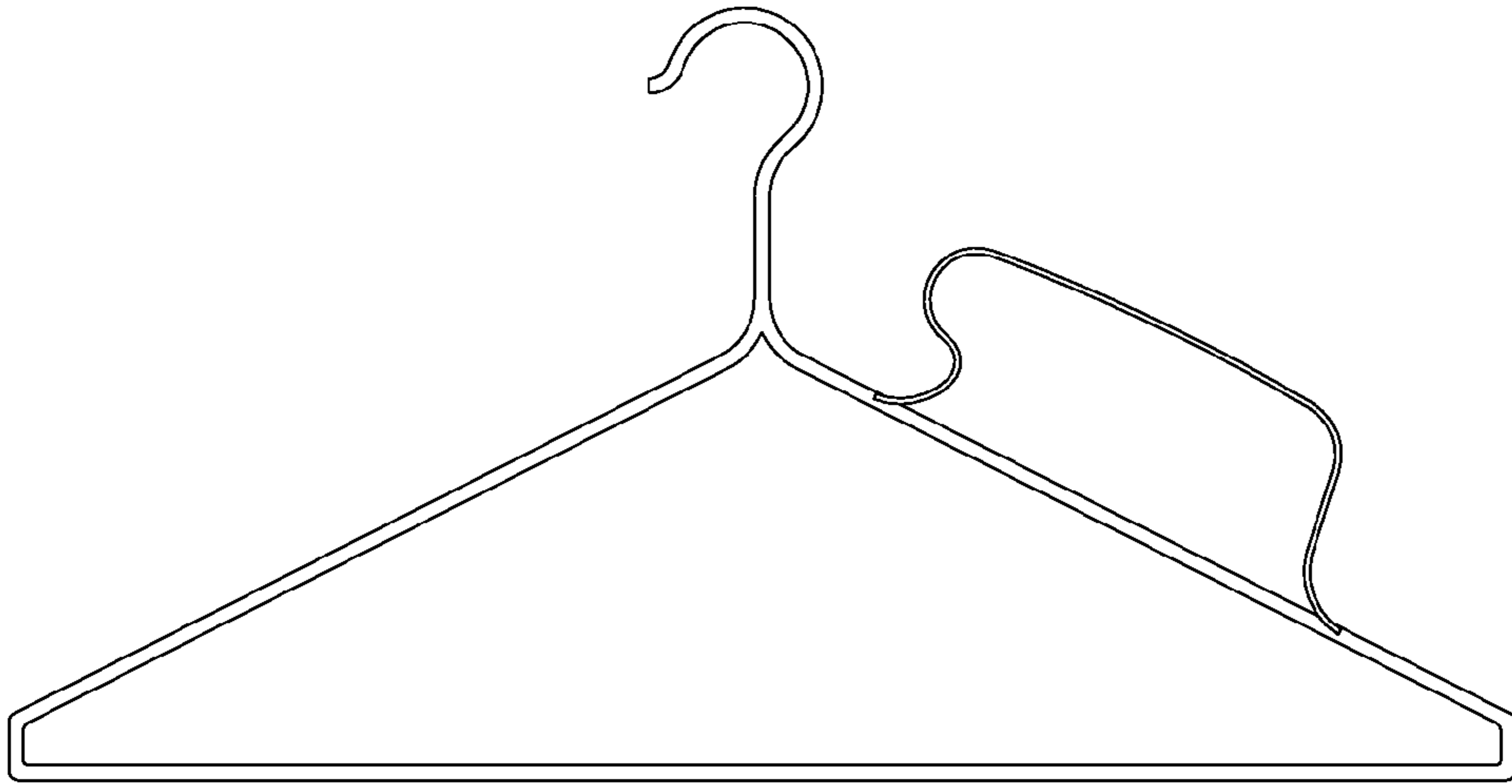


FIG. 3

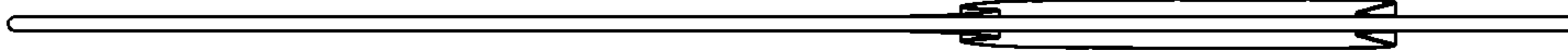


FIG. 4

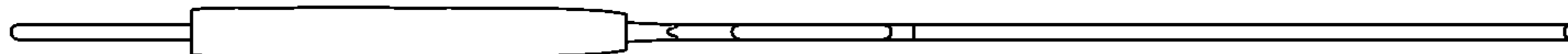


FIG. 5

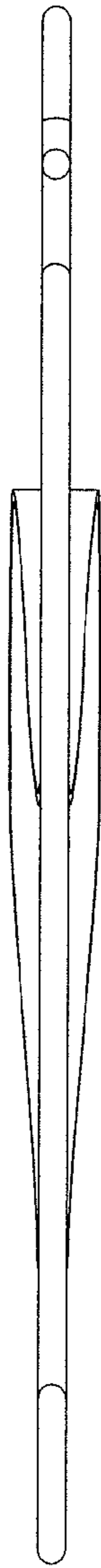


FIG. 6

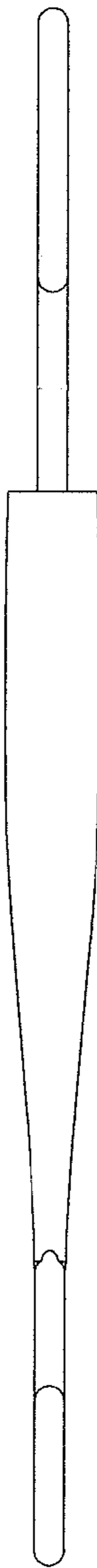


FIG. 7