



US00D700438S

(12) **United States Design Patent**
Borovicka et al.

(10) **Patent No.:** **US D700,438 S**
(45) **Date of Patent:** **** Mar. 4, 2014**

(54) **GRILL BRUSH**
(71) Applicant: **Charcoal Companion Incorporated,**
Berkeley, CA (US)
(72) Inventors: **Cory Thomas Borovicka,** Oakland, CA
(US); **Kwame Phillips-Solomon,**
Emeryville, CA (US)

D632,088 S 2/2011 Zemel
D652,629 S * 1/2012 Zemel D4/131
D654,272 S * 2/2012 Zemel D4/131
D655,511 S * 3/2012 Zemel D4/131
D661,906 S * 6/2012 Zemel D4/131
D663,125 S * 7/2012 Zemel D4/131
D664,771 S * 8/2012 Gunjian D4/131
D680,335 S 4/2013 Wales

(73) Assignee: **Charcoal Companion Incorporated,**
Berkeley, CA (US)

FOREIGN PATENT DOCUMENTS
EP 1549173 9/2006
* cited by examiner

(**) Term: **14 Years**

Primary Examiner — Austin Murphy
(74) *Attorney, Agent, or Firm* — Beeson Skinner Beverly,
LLP

(21) Appl. No.: **29/465,598**

(22) Filed: **Aug. 29, 2013**

(51) **LOC (10) Cl.** **04-01**

(52) **U.S. Cl.**
USPC **D4/131**

(58) **Field of Classification Search**
USPC D4/119, 120, 131, 132, 134, 114, 118;
15/159.1, 160, 106, 114, 118, 206
See application file for complete search history.

(57) **CLAIM**
The ornamental design for a grill brush, as shown and
described.

(56) **References Cited**

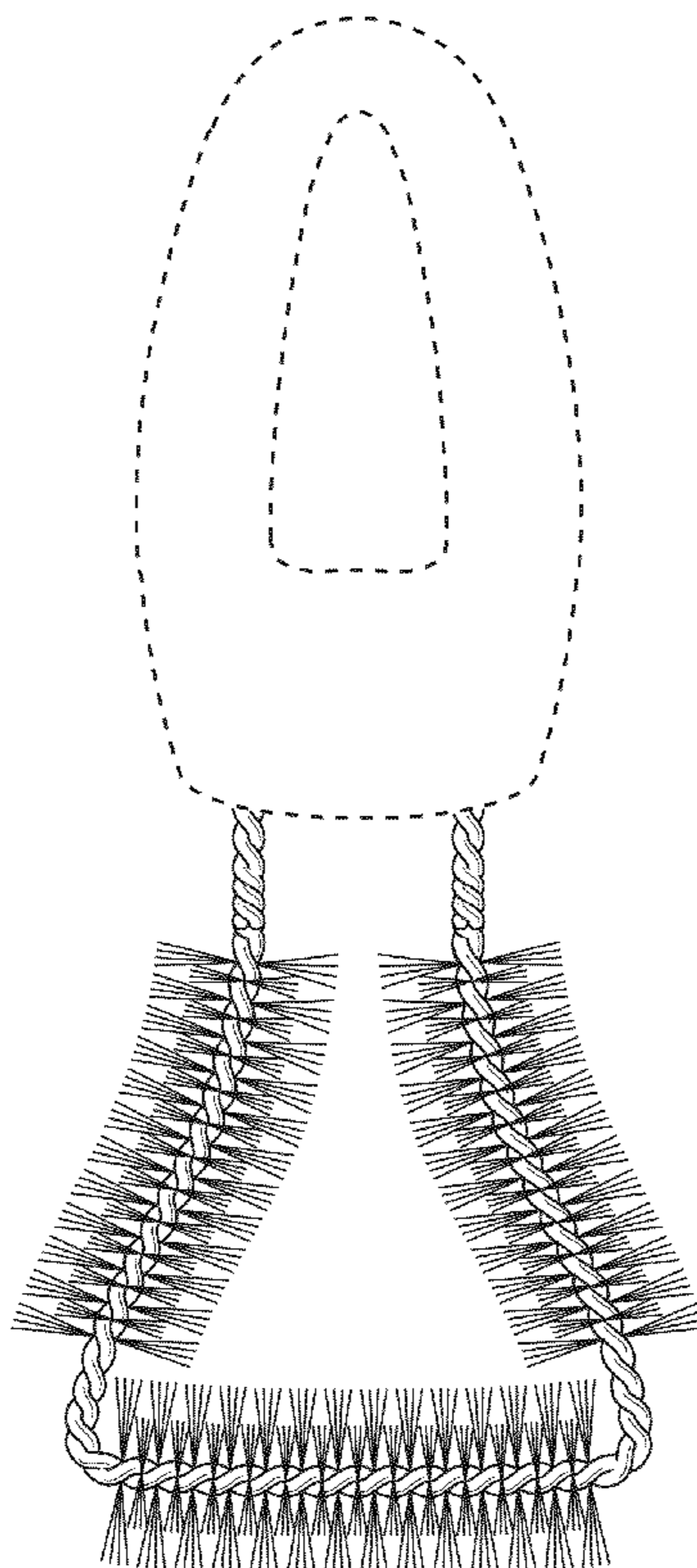
DESCRIPTION

U.S. PATENT DOCUMENTS

D380,090 S * 6/1997 Zemel D4/115
6,915,543 B2 * 7/2005 McEntyre et al. 15/160
D577,200 S * 9/2008 Meyer D4/119

FIG. 1 is a right side elevational view of a grill brush showing
our new design, the left side being a mirror image;
FIG. 2 is a top plan view thereof;
FIG. 3 is a bottom plan view thereof;
FIG. 4 is a front elevational view thereof; and,
FIG. 5 is a rear elevational view thereof.
The broken lines shown in the figures of the drawings repre-
sent a handle that forms no part of the claimed design.

1 Claim, 3 Drawing Sheets



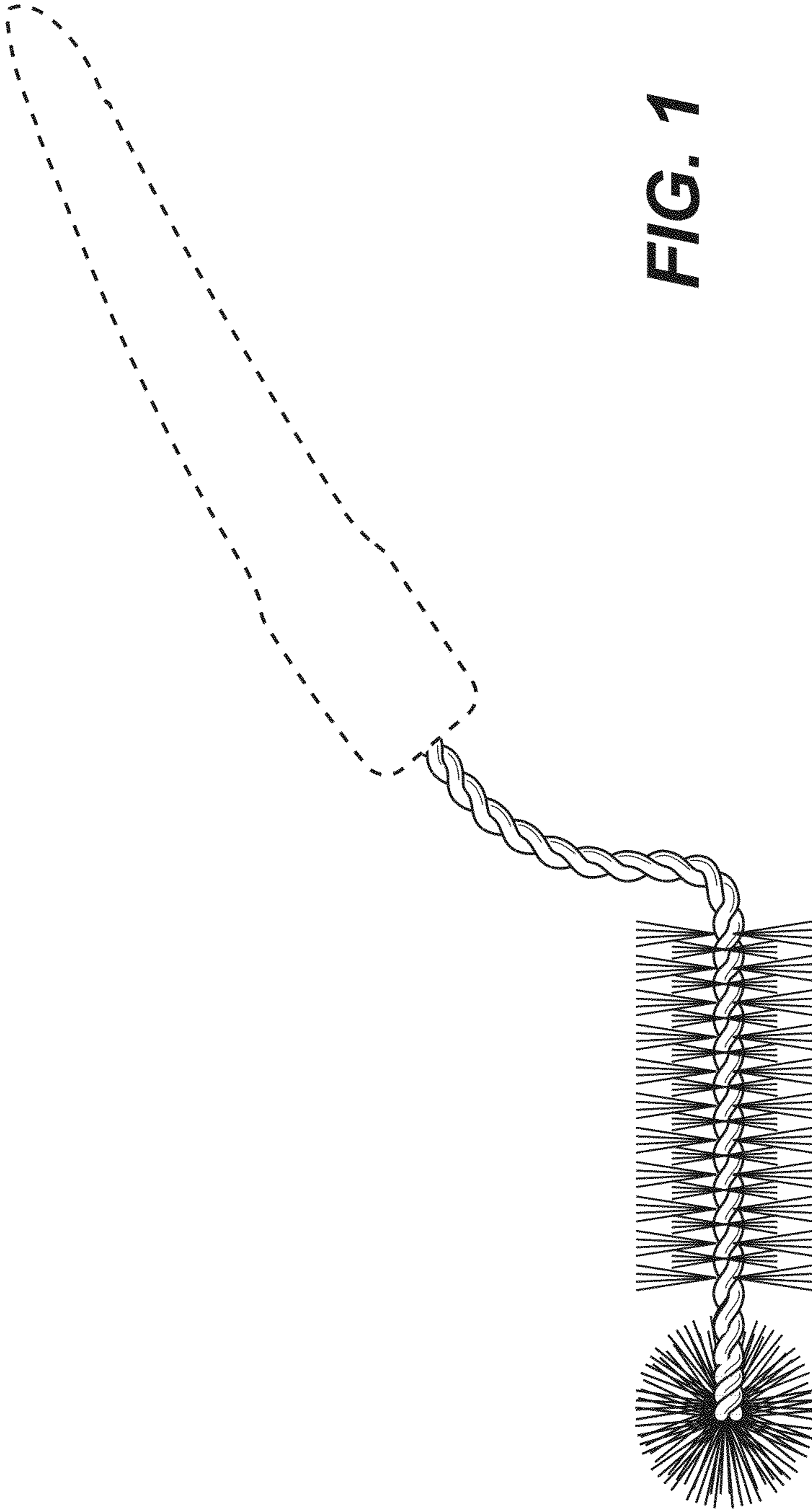


FIG. 1

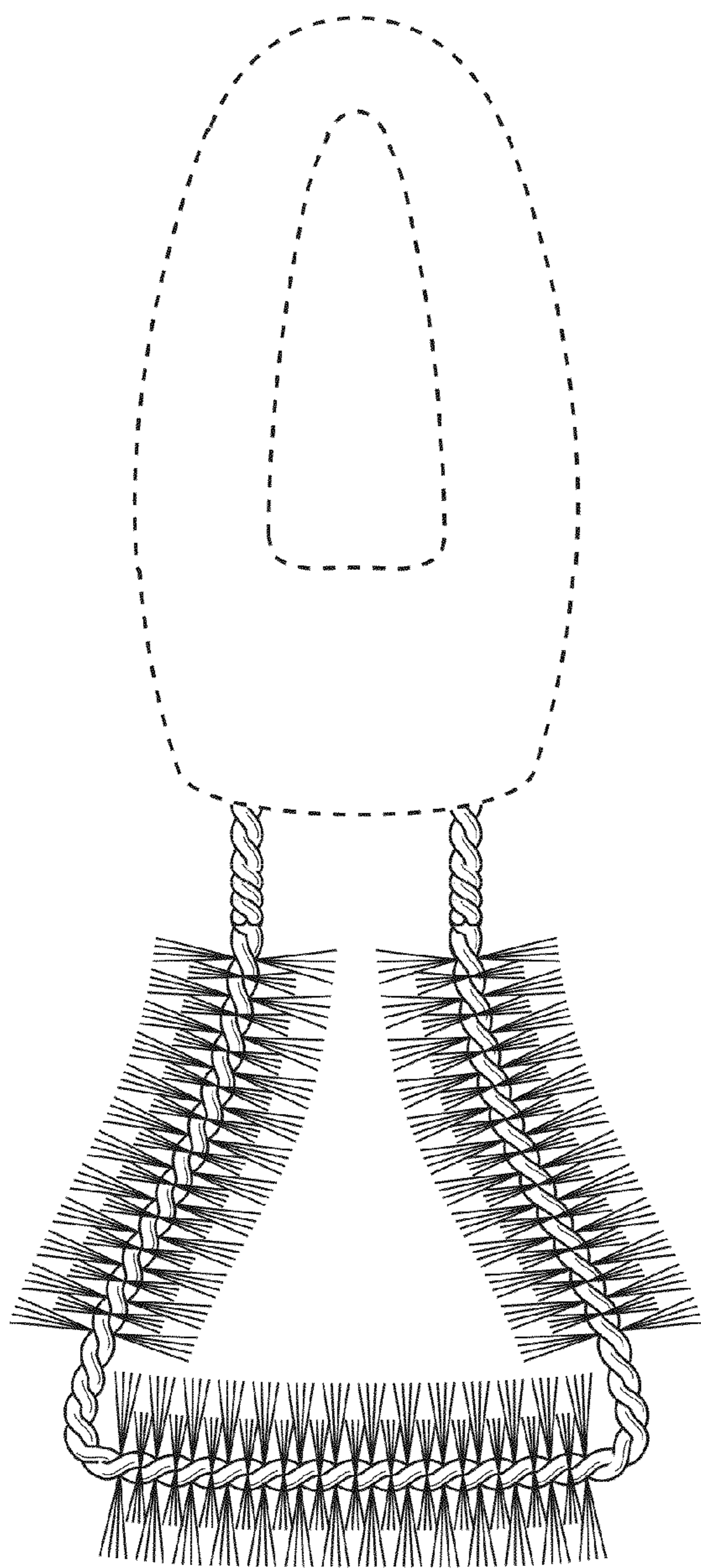


FIG. 2

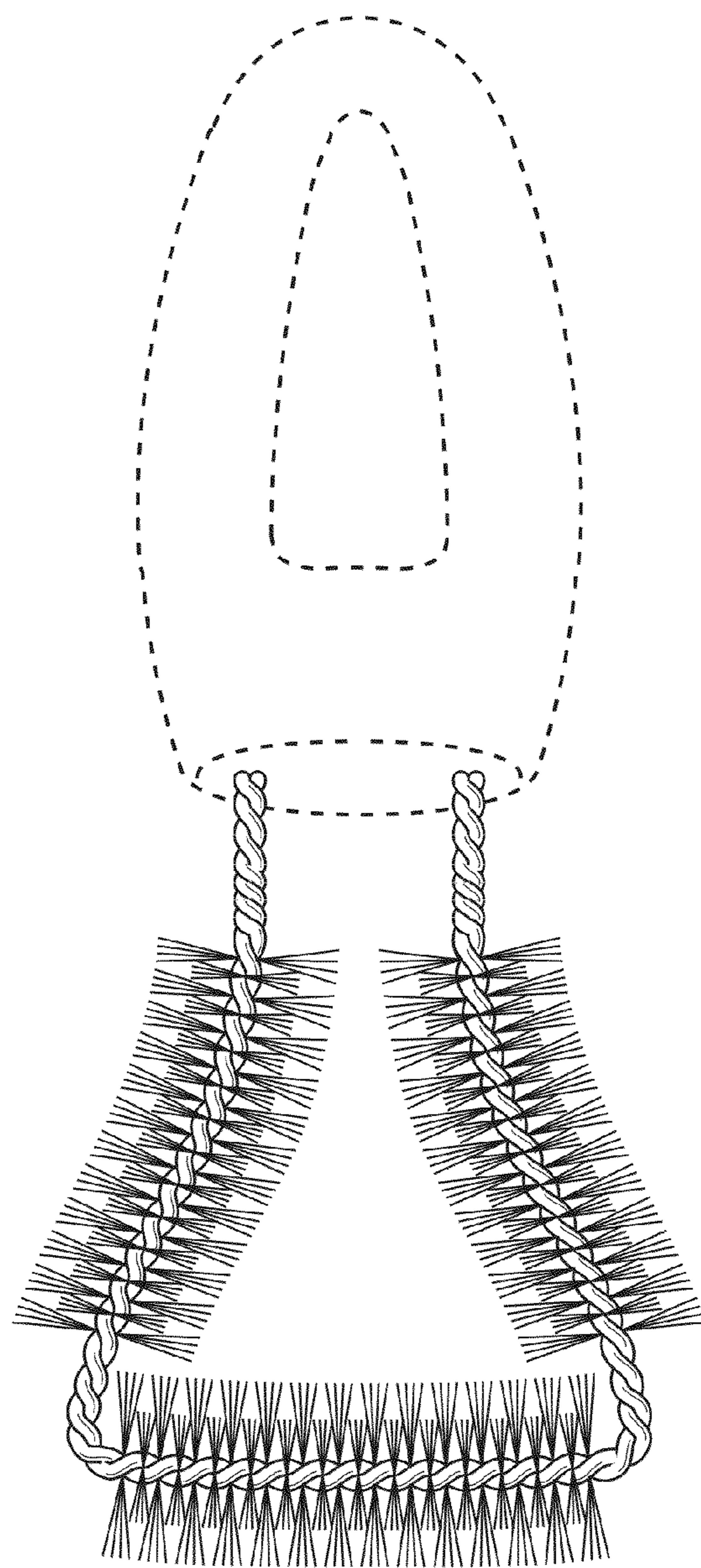


FIG. 3

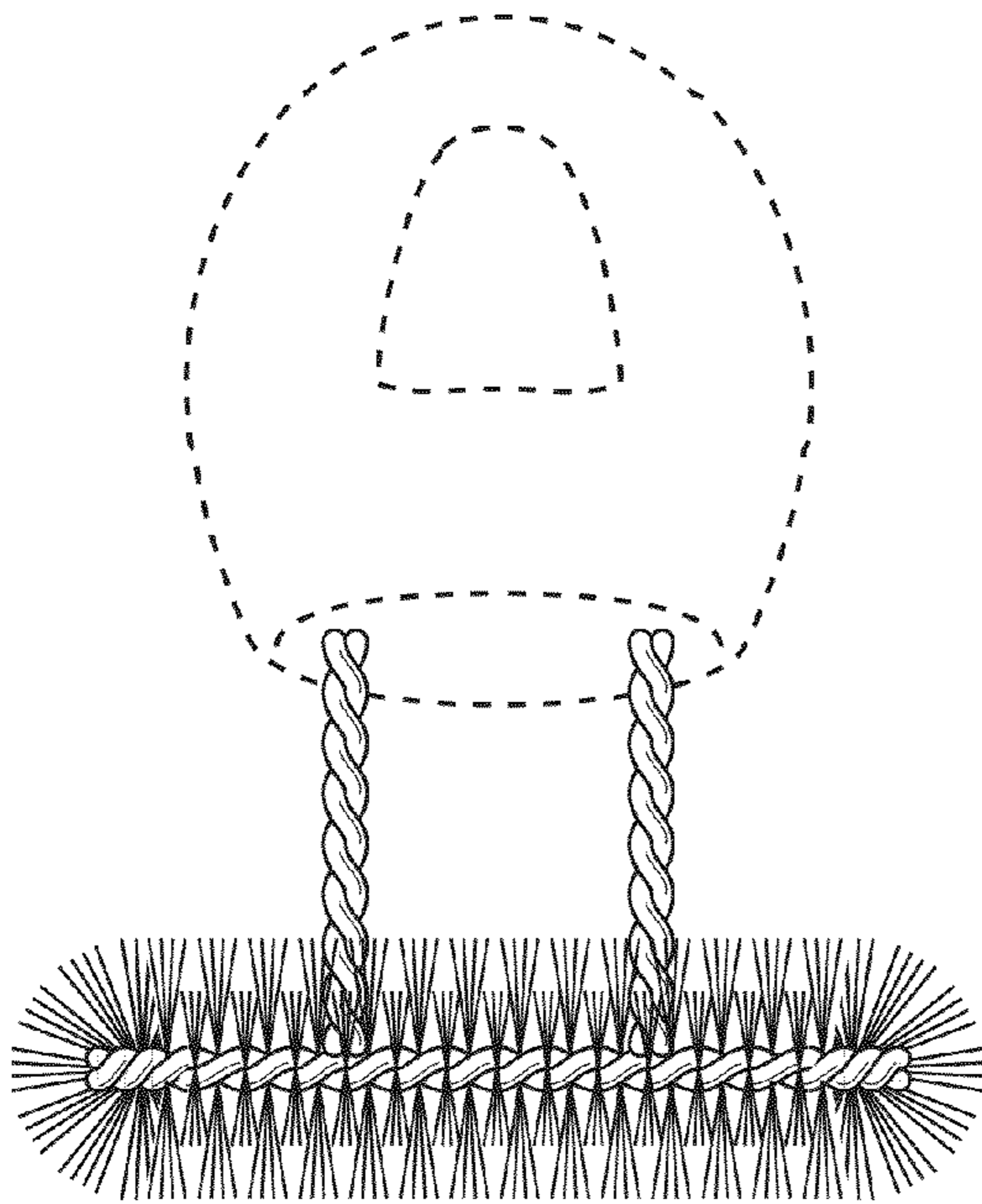


FIG. 4

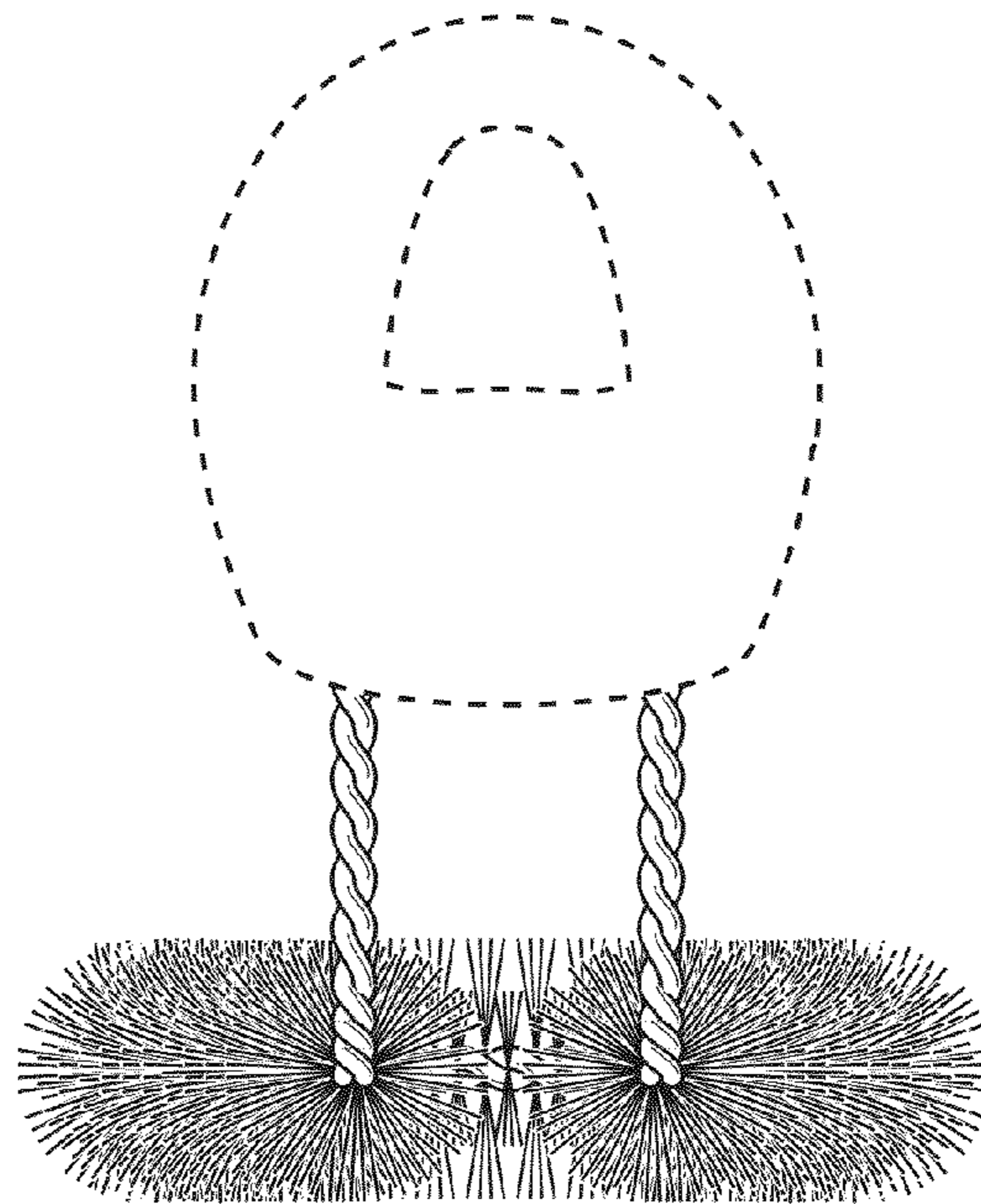


FIG. 5