



US00D700435S

(12) **United States Design Patent**
Gold

(10) **Patent No.:** **US D700,435 S**
(45) **Date of Patent:** **** Mar. 4, 2014**

(54) **STORAGE BOX**

(71) Applicant: **Lazy Bones Pet Products LLC**, New York, NY (US)

(72) Inventor: **Lorraine Gold**, New York, NY (US)

(73) Assignee: **Lazy Bones Pet Products LLC**, New York, NY (US)

(**) Term: **14 Years**

(21) Appl. No.: **29/469,420**

(22) Filed: **Oct. 10, 2013**

(51) **LOC (10) Cl.** **03-01**

(52) **U.S. Cl.**
USPC **D3/307**

(58) **Field of Classification Search**
USPC D3/304, 307, 315, 308-309, 232;
150/100, 107, 110; D9/703
See application file for complete search history.

(56) **References Cited**

U.S. PATENT DOCUMENTS

4,062,392	A *	12/1977	Ishii	383/2
5,046,860	A *	9/1991	Brennan	383/38
5,127,536	A *	7/1992	Cohen et al.	224/222
D422,767	S *	4/2000	Presser	D34/6

D445,254	S *	7/2001	Jasper et al.	D3/318
D486,185	S *	2/2004	Sheldon et al.	D19/90
D530,516	S *	10/2006	Snell	D3/304
D548,459	S *	8/2007	Harvey	D3/246
D583,562	S *	12/2008	Ghiorghie	D3/304
D590,150	S *	4/2009	Miller	D3/246
D600,017	S *	9/2009	Christie	D3/304
D604,769	S *	11/2009	Chen et al.	D19/90
D606,348	S *	12/2009	White et al.	D6/553
D634,546	S *	3/2011	Horwitz	D3/320
D636,602	S *	4/2011	Reisenthel	D3/307
D644,025	S *	8/2011	Finch	D3/310
D692,668	S *	11/2013	Hu	D3/306
D693,124	S *	11/2013	Snyder	D3/303

* cited by examiner

Primary Examiner — Kelley Donnelly

(74) *Attorney, Agent, or Firm* — Richard M. Goldberg

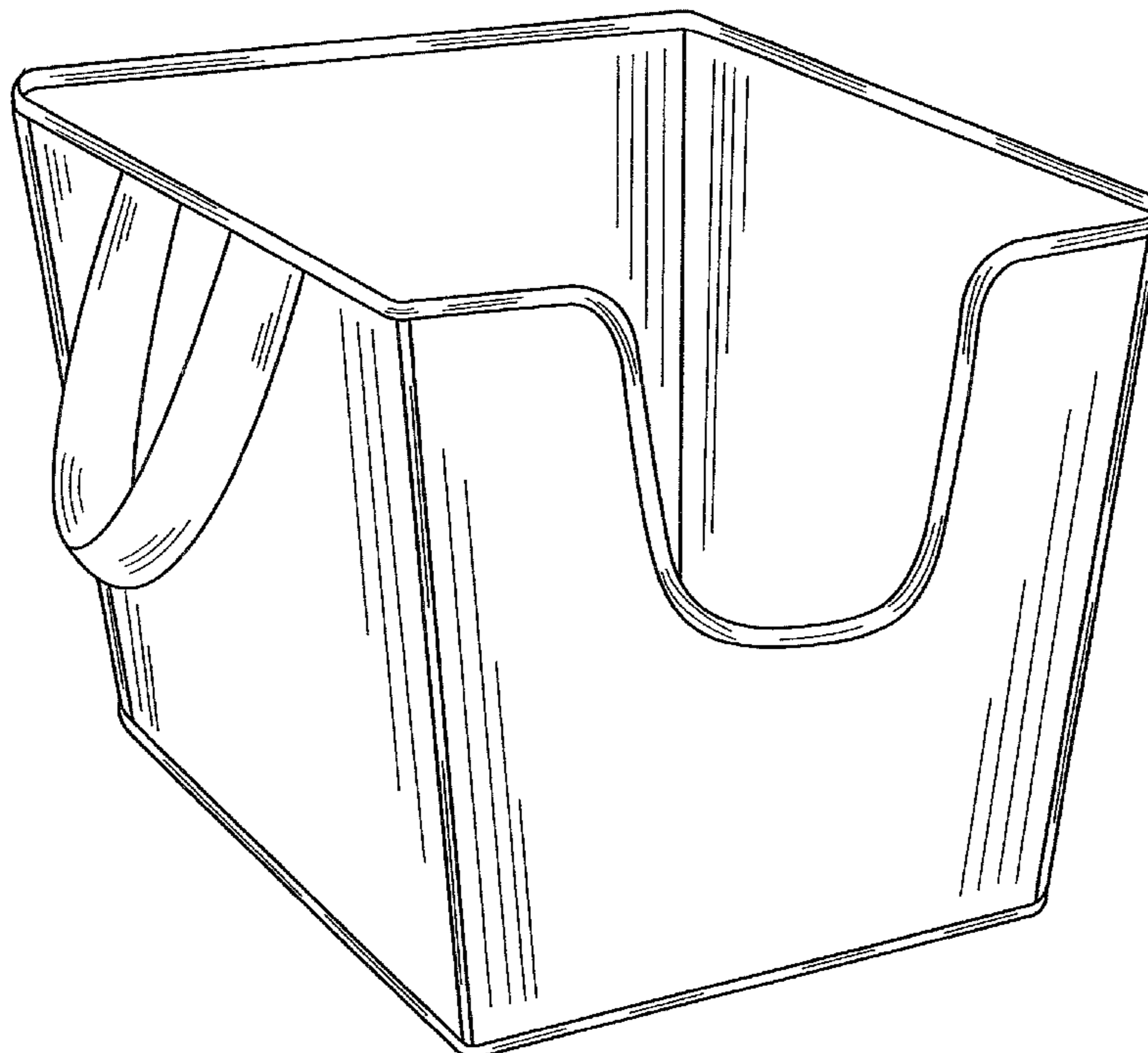
(57) **CLAIM**

The ornamental design for a storage box, as shown.

DESCRIPTION

FIG. 1 is a perspective view of the storage box of my design;
FIG. 2 is a front elevational view thereof;
FIG. 3 is a rear elevational view thereof;
FIG. 4 is a left side elevational view thereof;
FIG. 5 is a right side elevational view thereof;
FIG. 6 is a top plan view thereof; and,
FIG. 7 is a bottom plan view thereof.

1 Claim, 7 Drawing Sheets



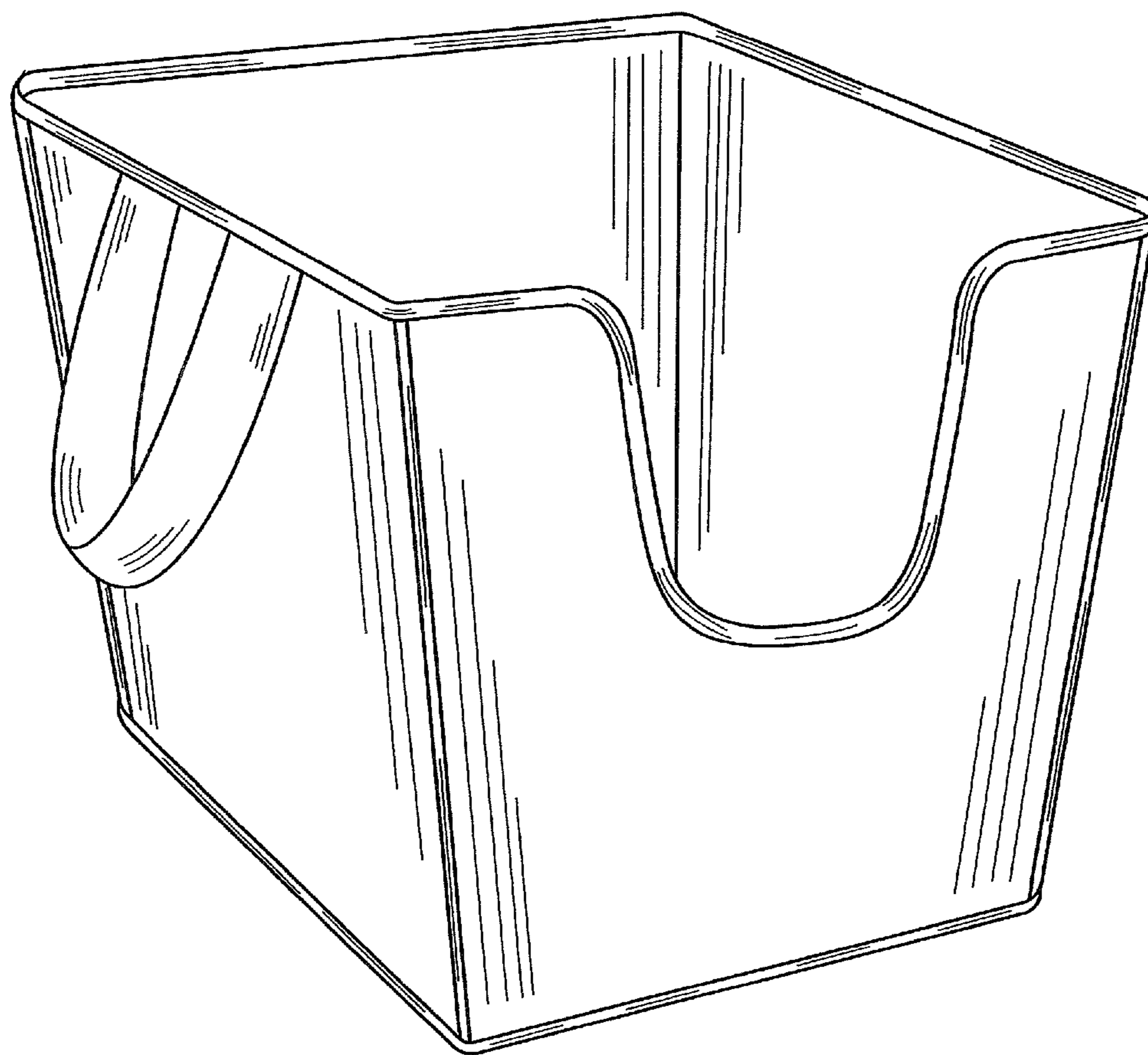


FIG - 1

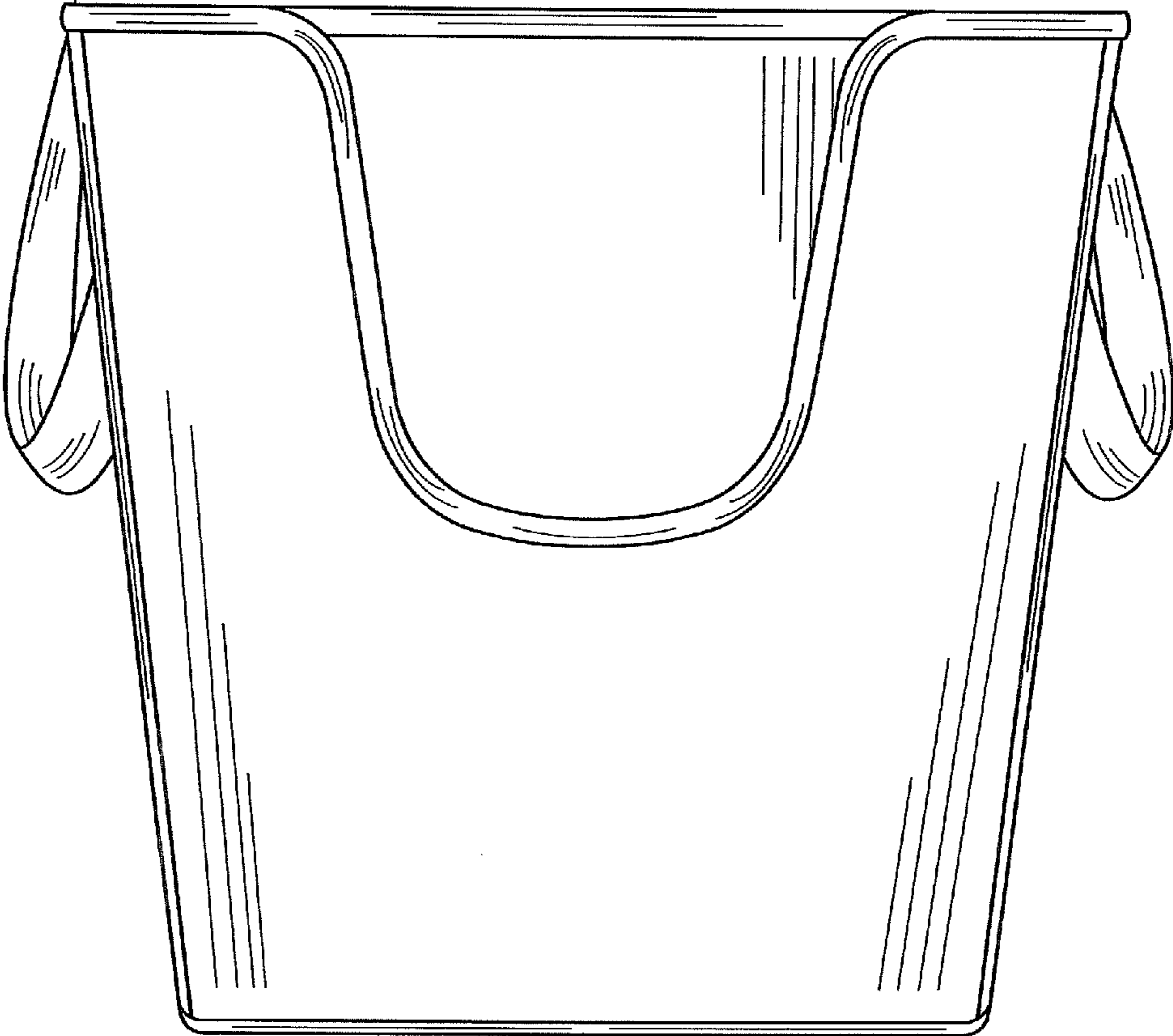


FIG - 2

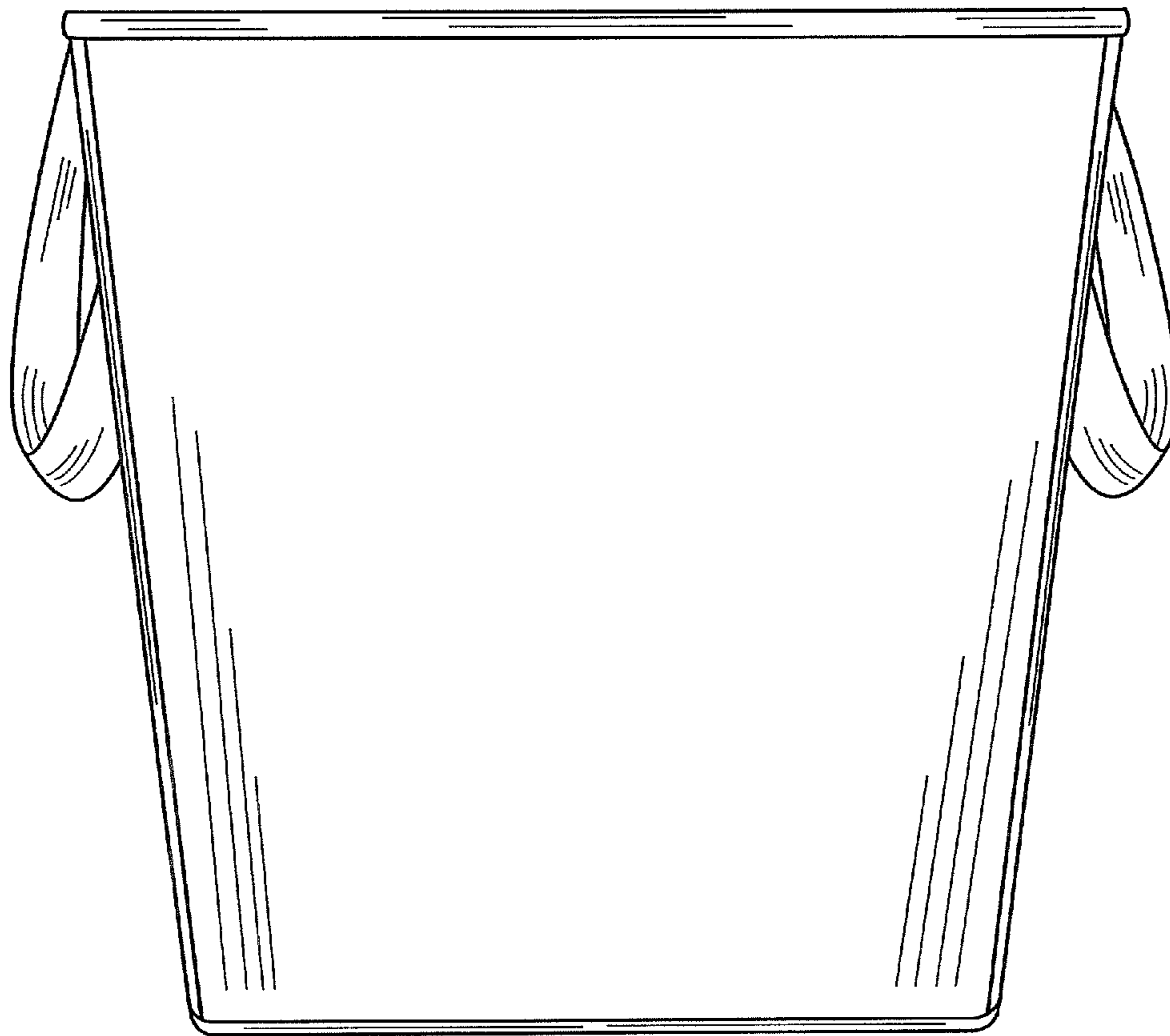


FIG - 3

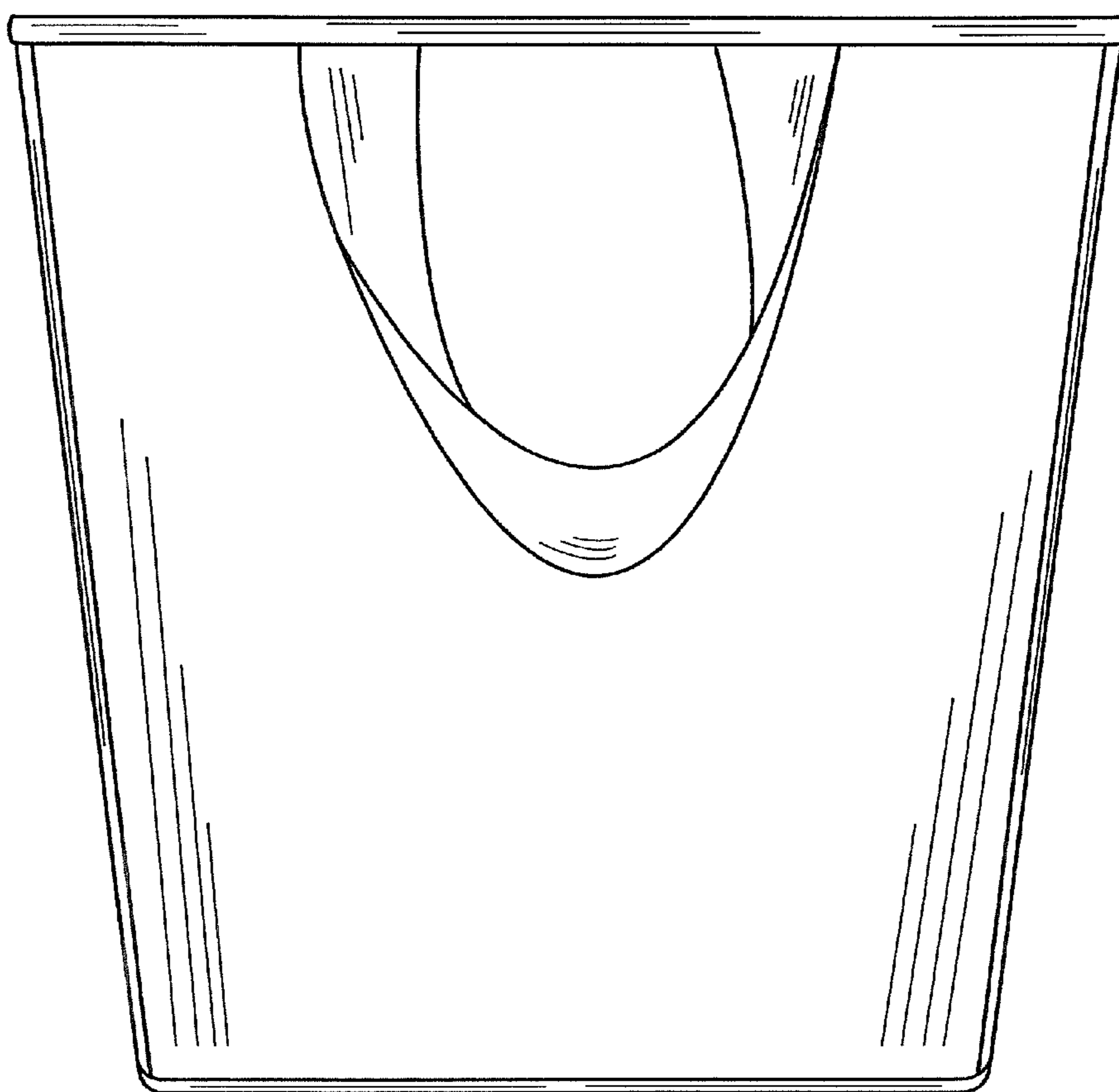


FIG - 4

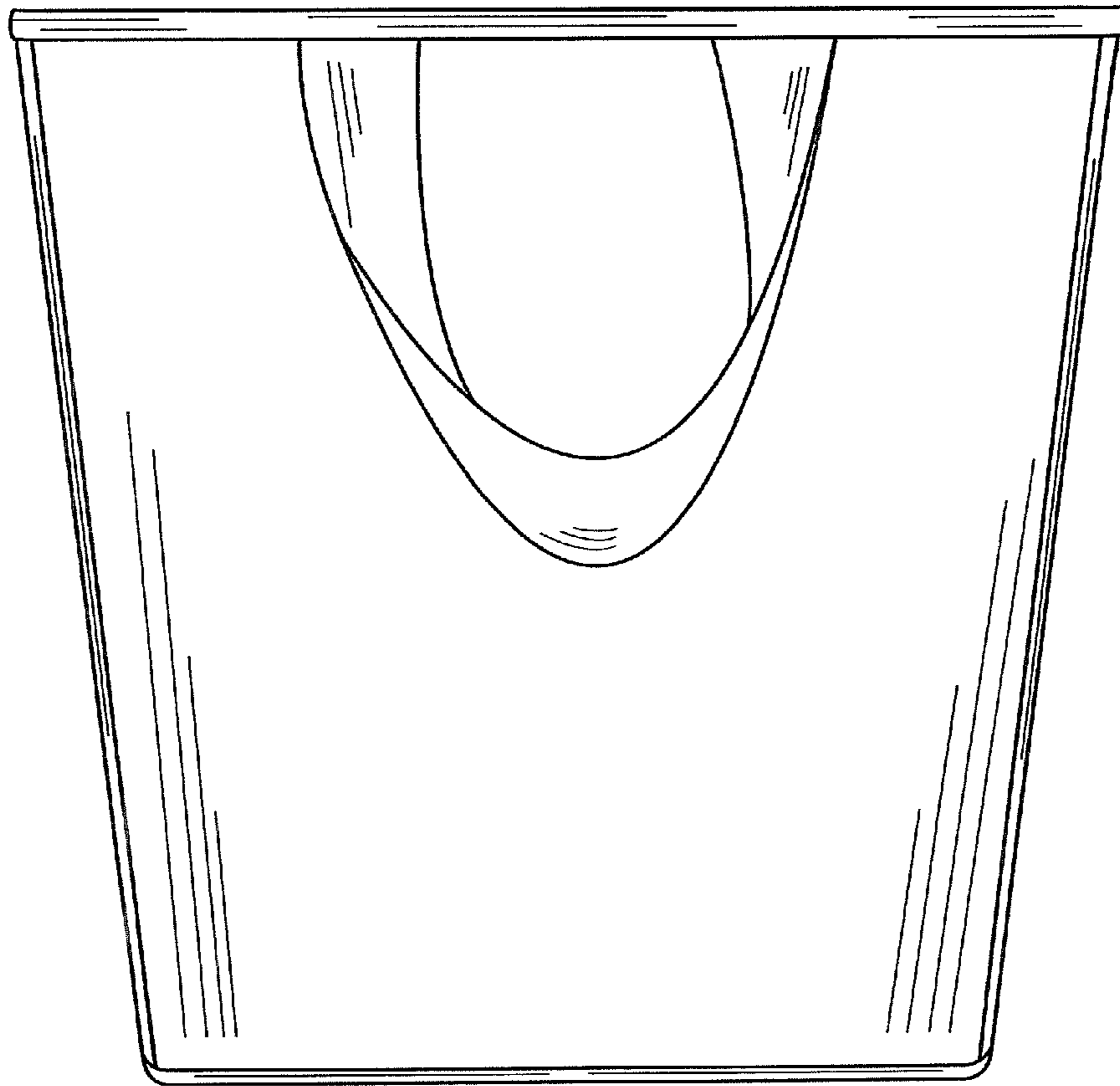


FIG - 5

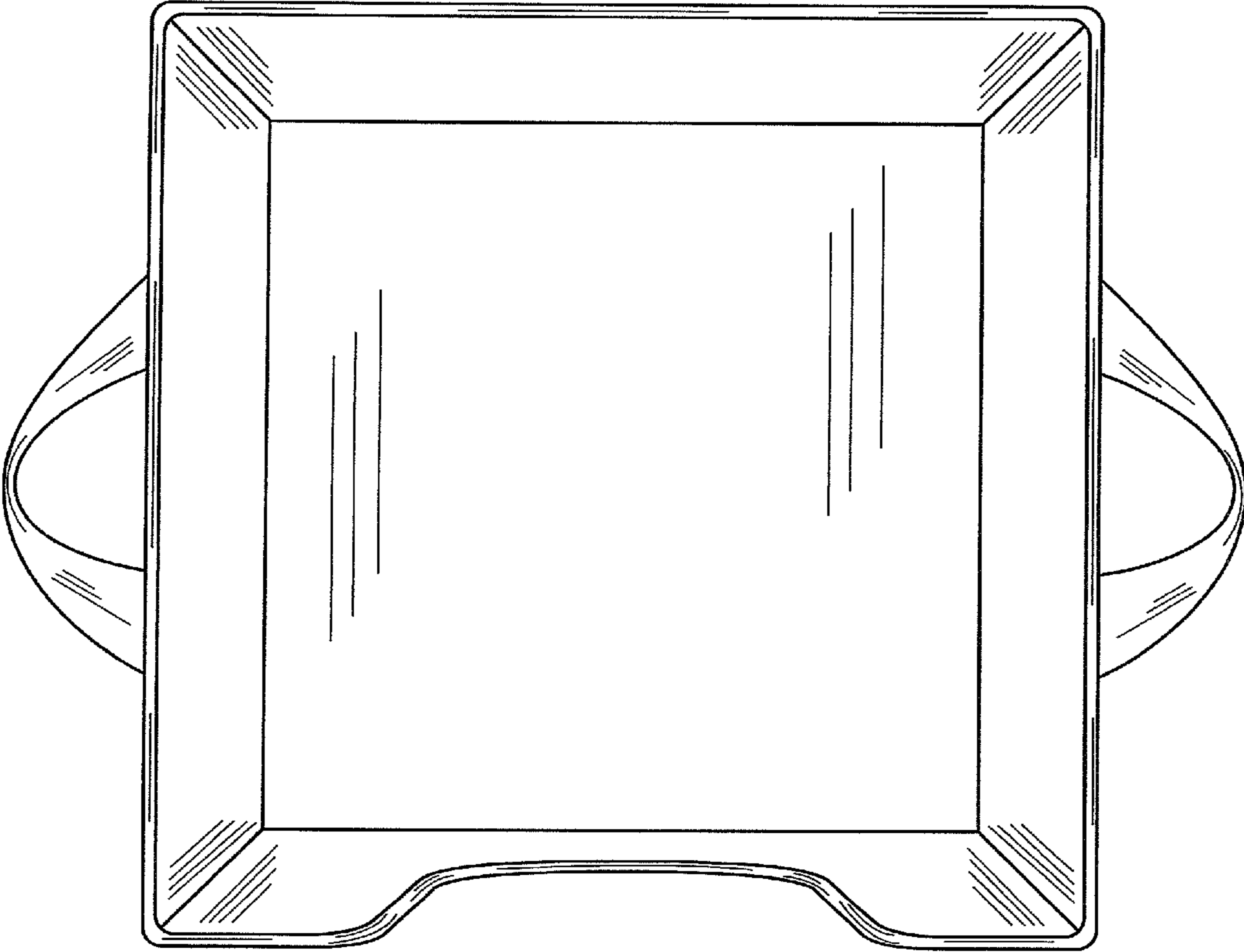


FIG - 6

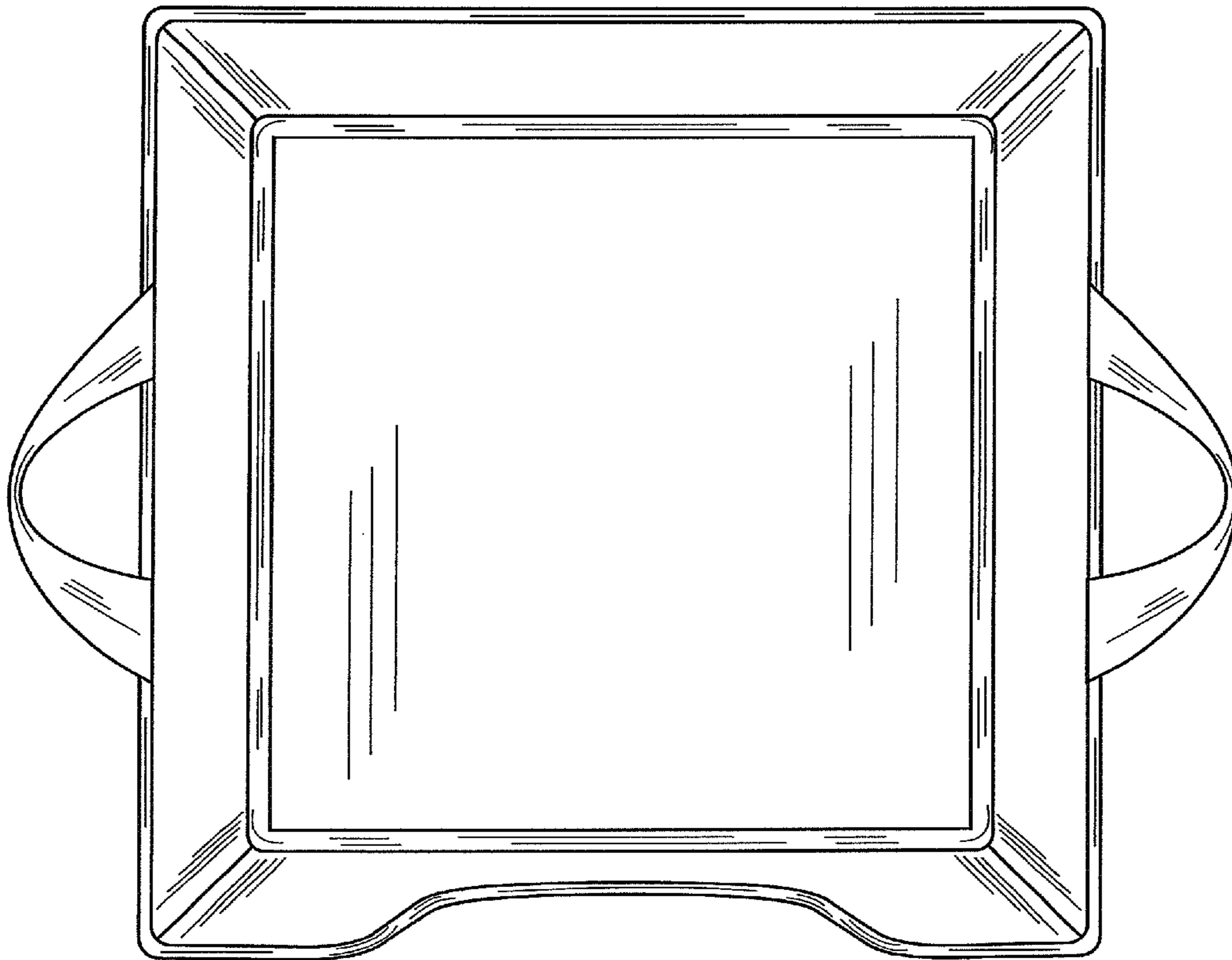


FIG - 7