



US00D700432S

(12) **United States Design Patent**  
**Music**

(10) **Patent No.:** **US D700,432 S**  
(45) **Date of Patent:** **\*\* Mar. 4, 2014**

(54) **DRUM CASE**

(71) Applicant: **Kenji Music**, Wesley Chapel, FL (US)

(72) Inventor: **Kenji Music**, Wesley Chapel, FL (US)

(\*\*) Term: **14 Years**

(21) Appl. No.: **29/449,383**

(22) Filed: **Mar. 15, 2013**

(51) **LOC (10) Cl.** ..... **03-01**

(52) **U.S. Cl.**  
USPC ..... **D3/204**

(58) **Field of Classification Search**  
USPC ..... D3/201, 204, 206, 254, 259, 272, 273,  
D3/303, 315, 318; D9/721; 206/314, 335,  
206/370, 374, 320, 523, 524; 248/166,  
248/176.1; 229/122.32; 84/411 R, 422.3,  
84/421; 29/216

See application file for complete search history.

(56) **References Cited**

**U.S. PATENT DOCUMENTS**

501,318	A	*	7/1893	Boulangier	.....	206/314
1,321,029	A	*	11/1919	Goldberg	.....	206/314
1,456,242	A	*	5/1923	Leedy	.....	84/411 R
3,292,252	A	*	12/1966	Reading	.....	29/416
D247,195	S	*	2/1978	Mikosz	.....	D3/204
D247,196	S	*	2/1978	Mikosz	.....	D3/204
D247,197	S	*	2/1978	Mikosz	.....	D3/204
6,025,549	A	*	2/2000	Harris	.....	84/411 R

D439,048	S	*	3/2001	Sanderson	.....	D3/302
6,723,906	B2	*	4/2004	Bourgoin	.....	84/411 R
D493,284	S	*	7/2004	Lee	.....	D3/294
D543,350	S	*	5/2007	Sanderson	.....	D3/204
D555,894	S	*	11/2007	Berg et al.	.....	D3/204
D561,990	S	*	2/2008	Berg et al.	.....	D3/204
D570,596	S	*	6/2008	Berg et al.	.....	D3/204

\* cited by examiner

*Primary Examiner* — Caron D Veynar

*Assistant Examiner* — Martie K Holtje

(74) *Attorney, Agent, or Firm* — Law Office of Stacy Matulis

(57) **CLAIM**

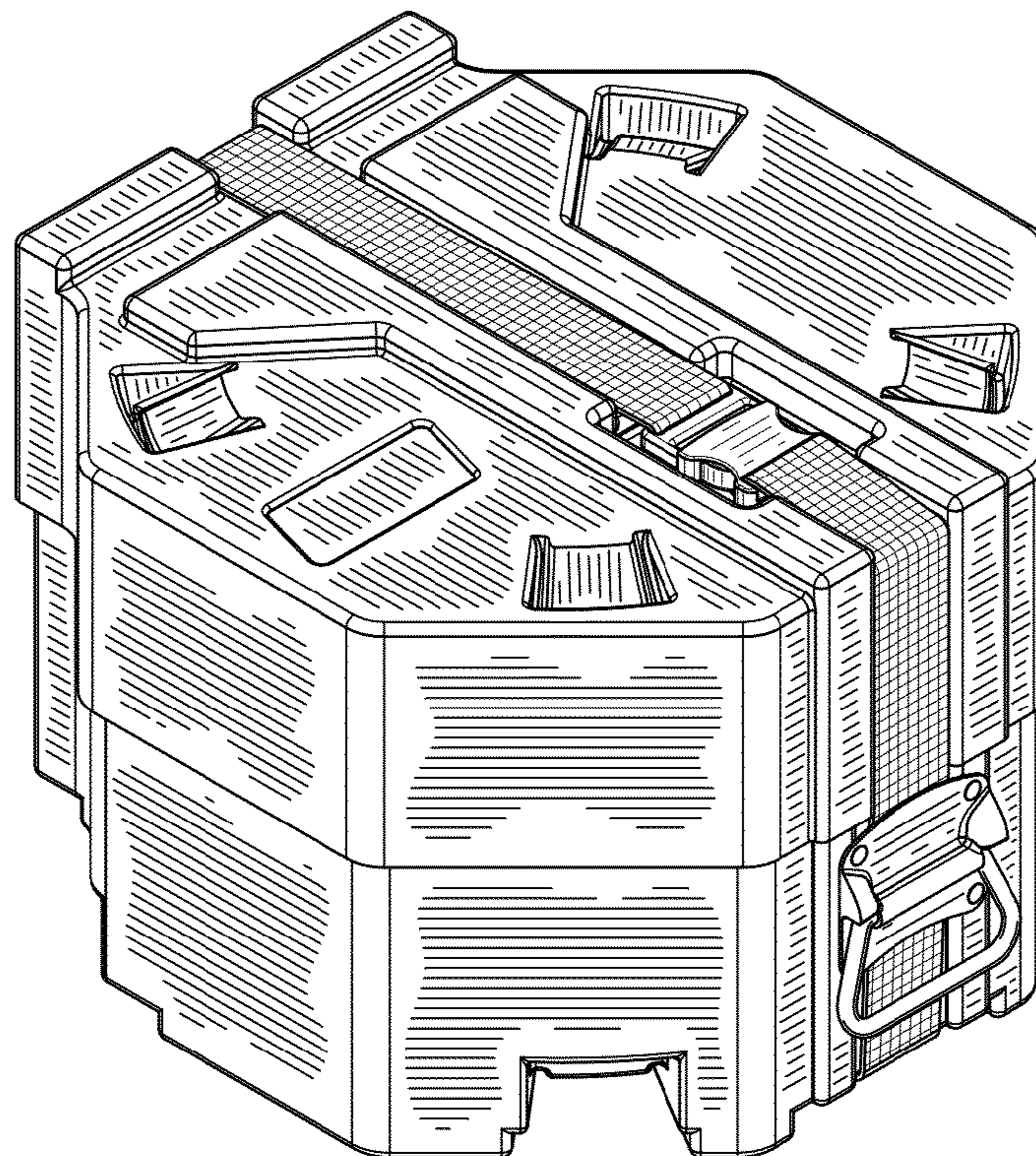
I claim the ornamental design for a drum case, as shown and described.

**DESCRIPTION**

FIG. 1 is a front, perspective view of a drum case showing my design;  
FIG. 2 is a rear, perspective view thereof;  
FIG. 3 is a front view thereof;  
FIG. 4 is a rear view thereof;  
FIG. 5 is a top view thereof;  
FIG. 6 is a bottom view thereof; and  
FIG. 7 is a right side view thereof, the left side being a mirror image thereof; and,  
FIG. 8 is a left side view thereof.

The thin solid lines illustrate the uniformity of the flat surfaces of the claimed drum case in the figures and are not a claimed surface pattern.

**1 Claim, 4 Drawing Sheets**



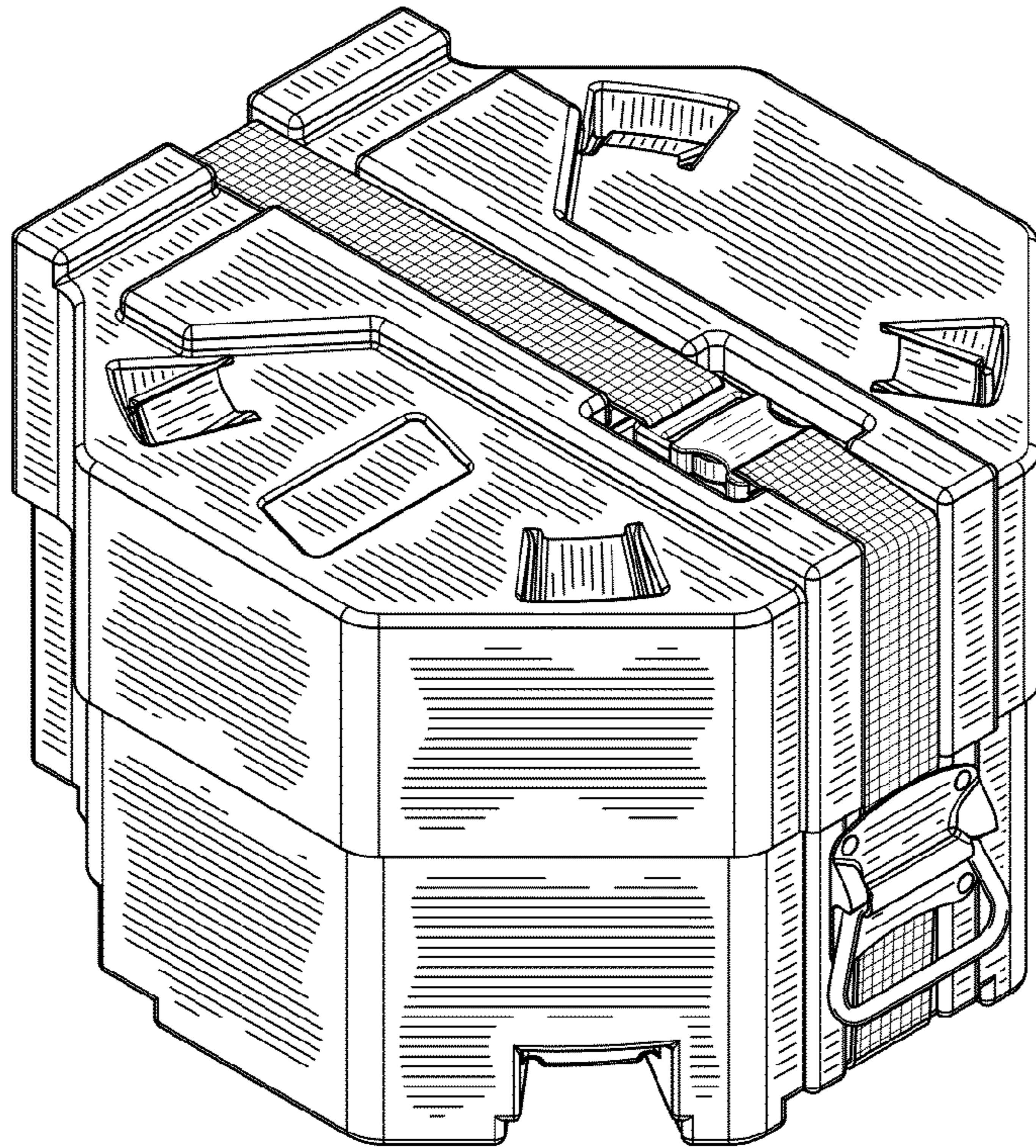


FIG. 1

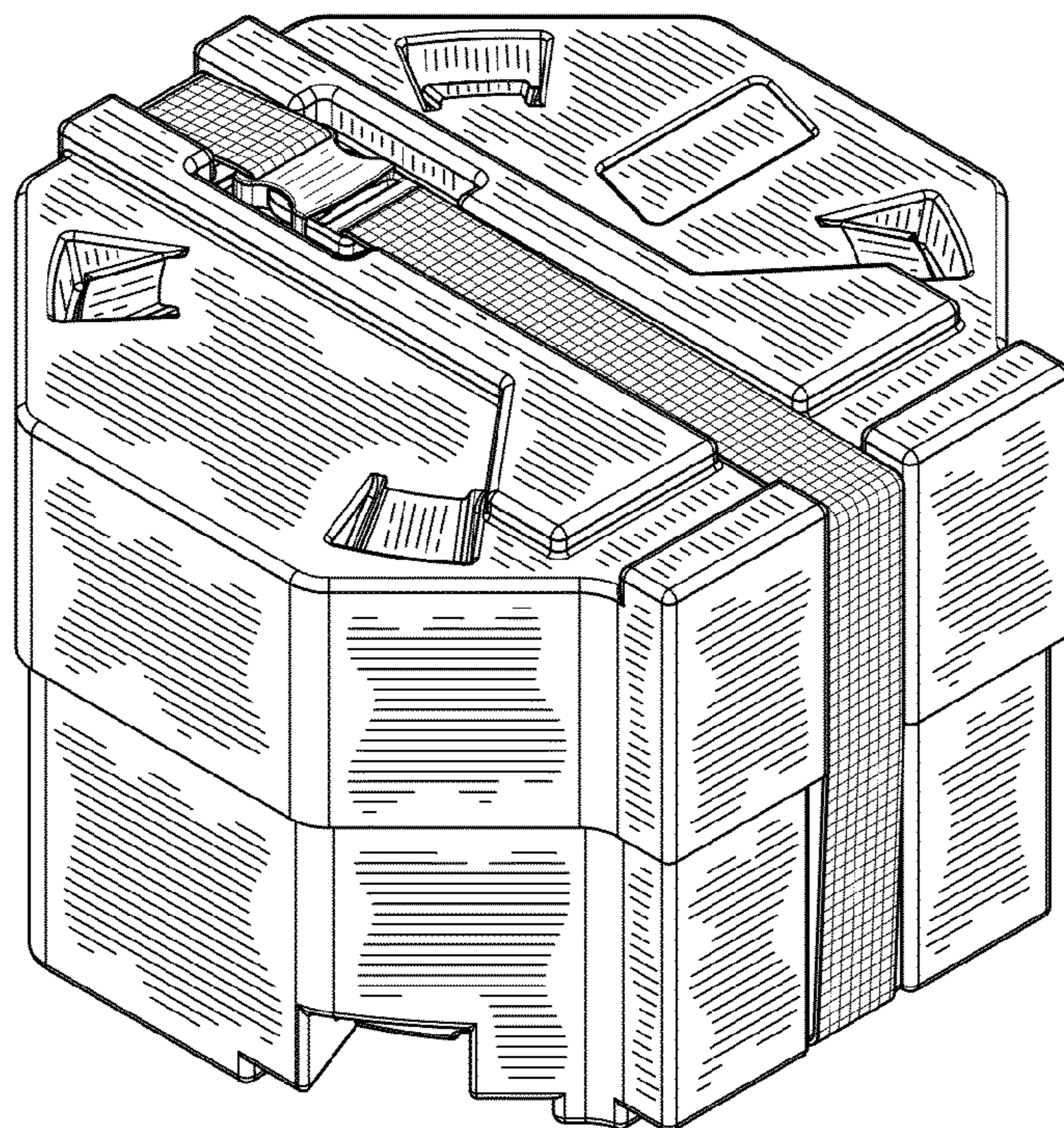


FIG. 2

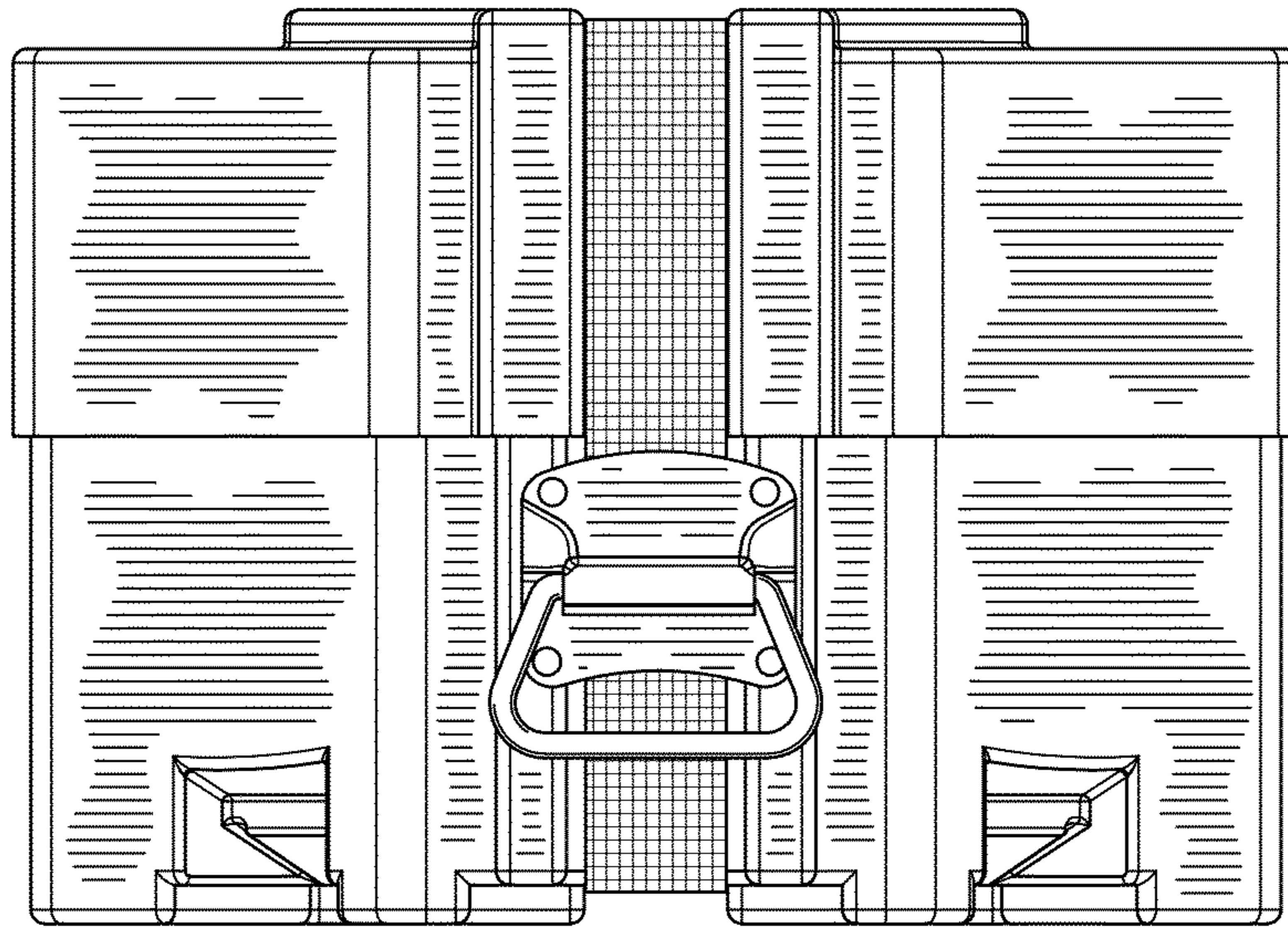


FIG. 3

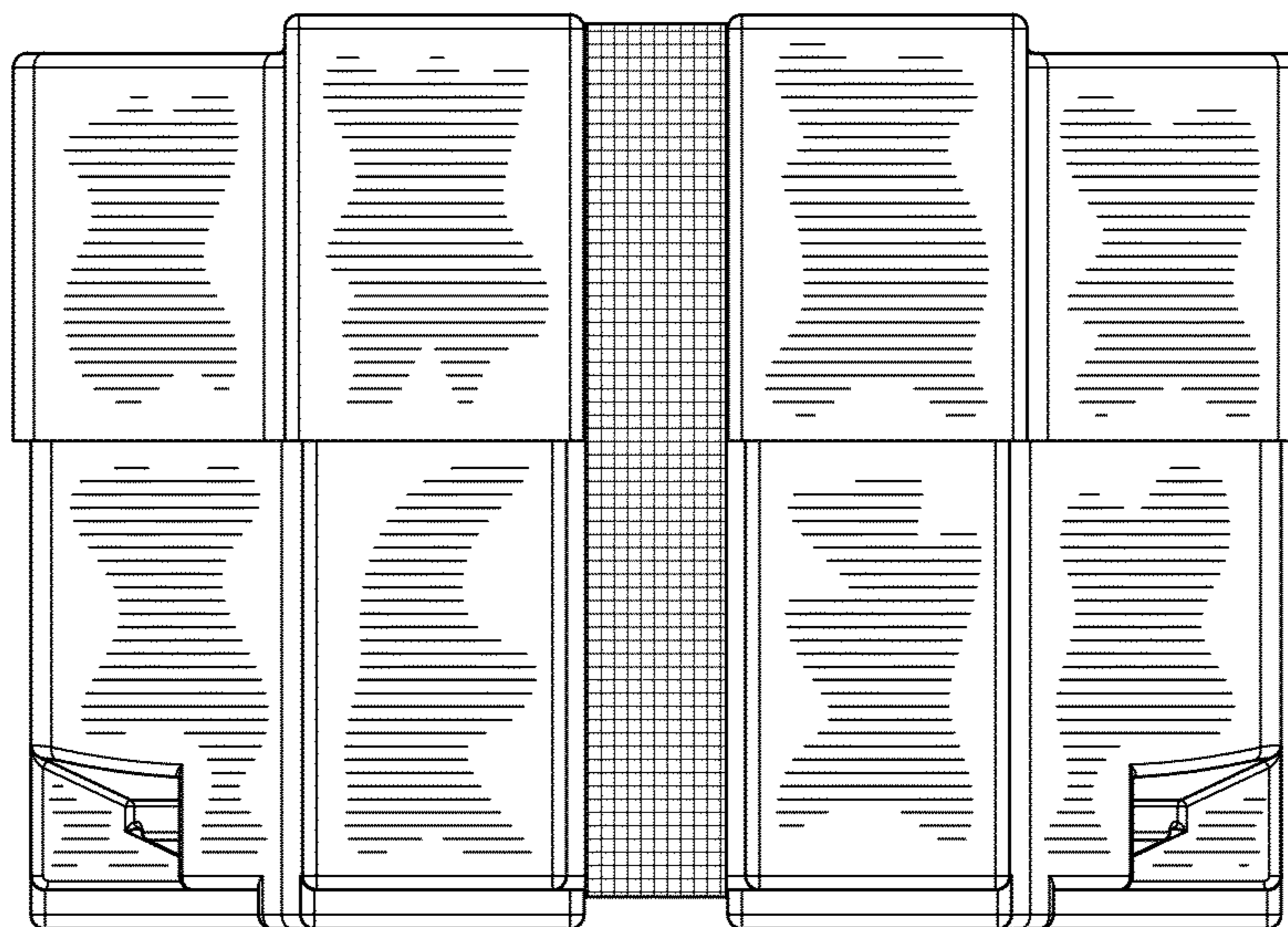


FIG. 4

FIG. 5

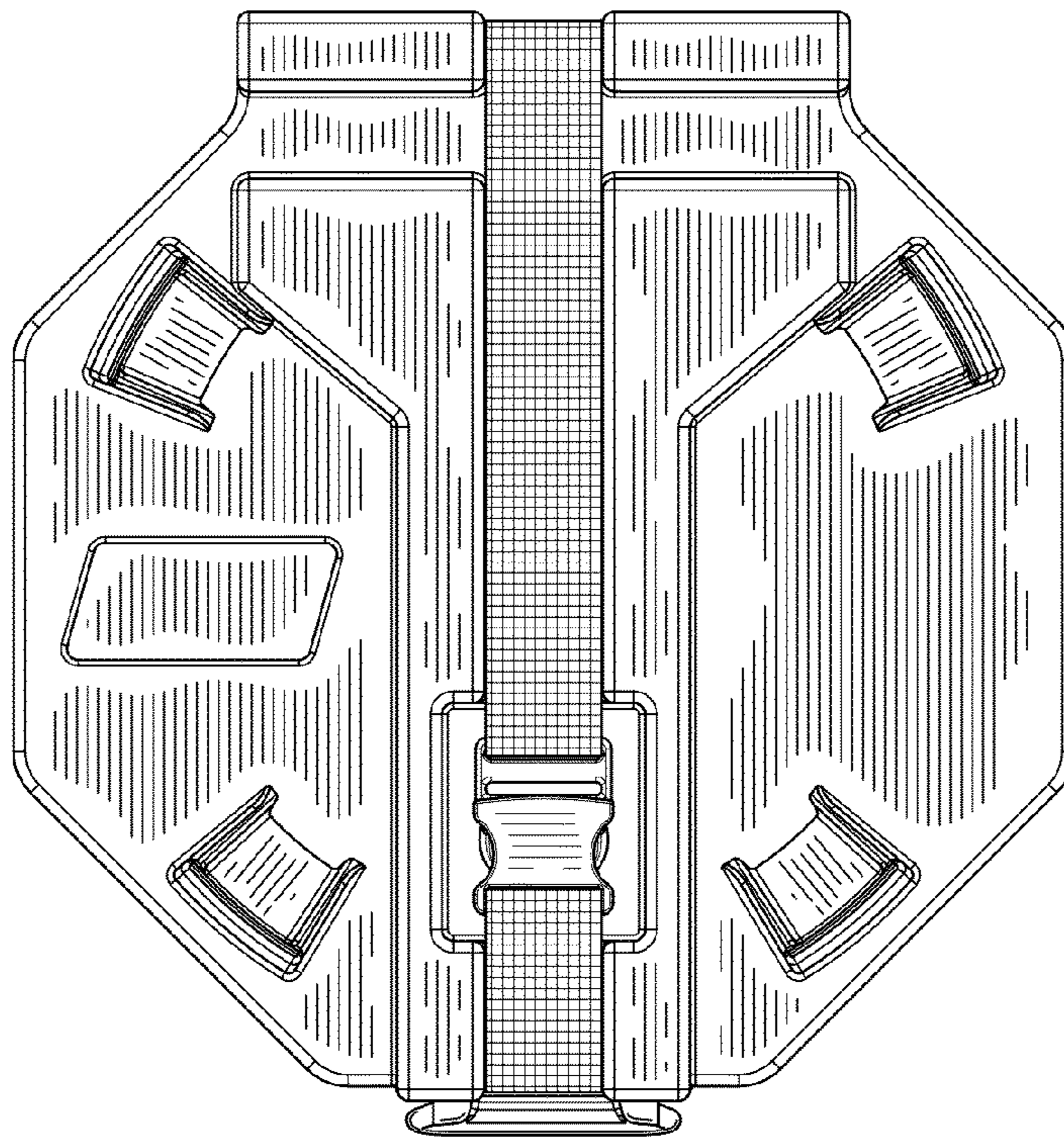
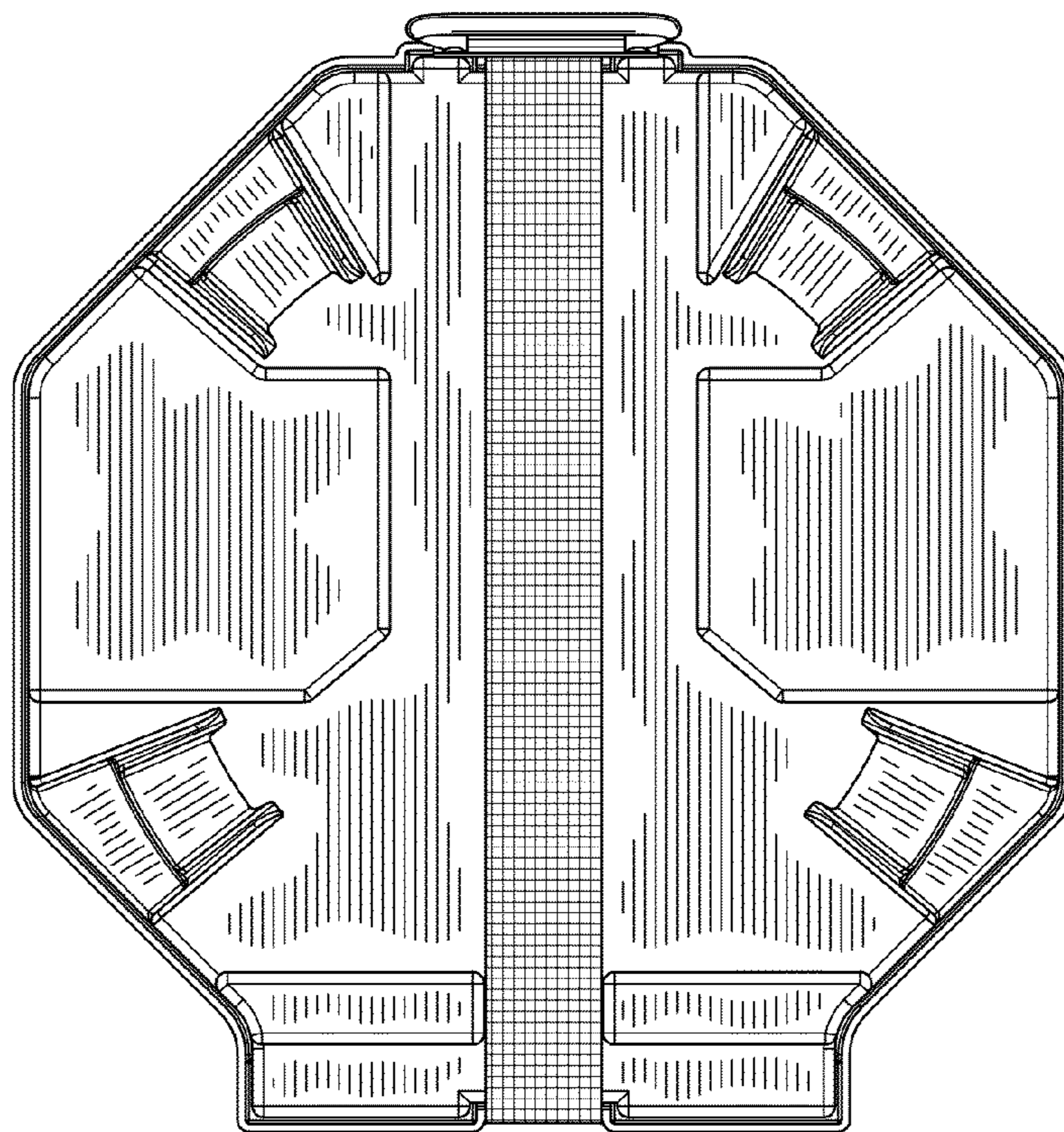


FIG. 6



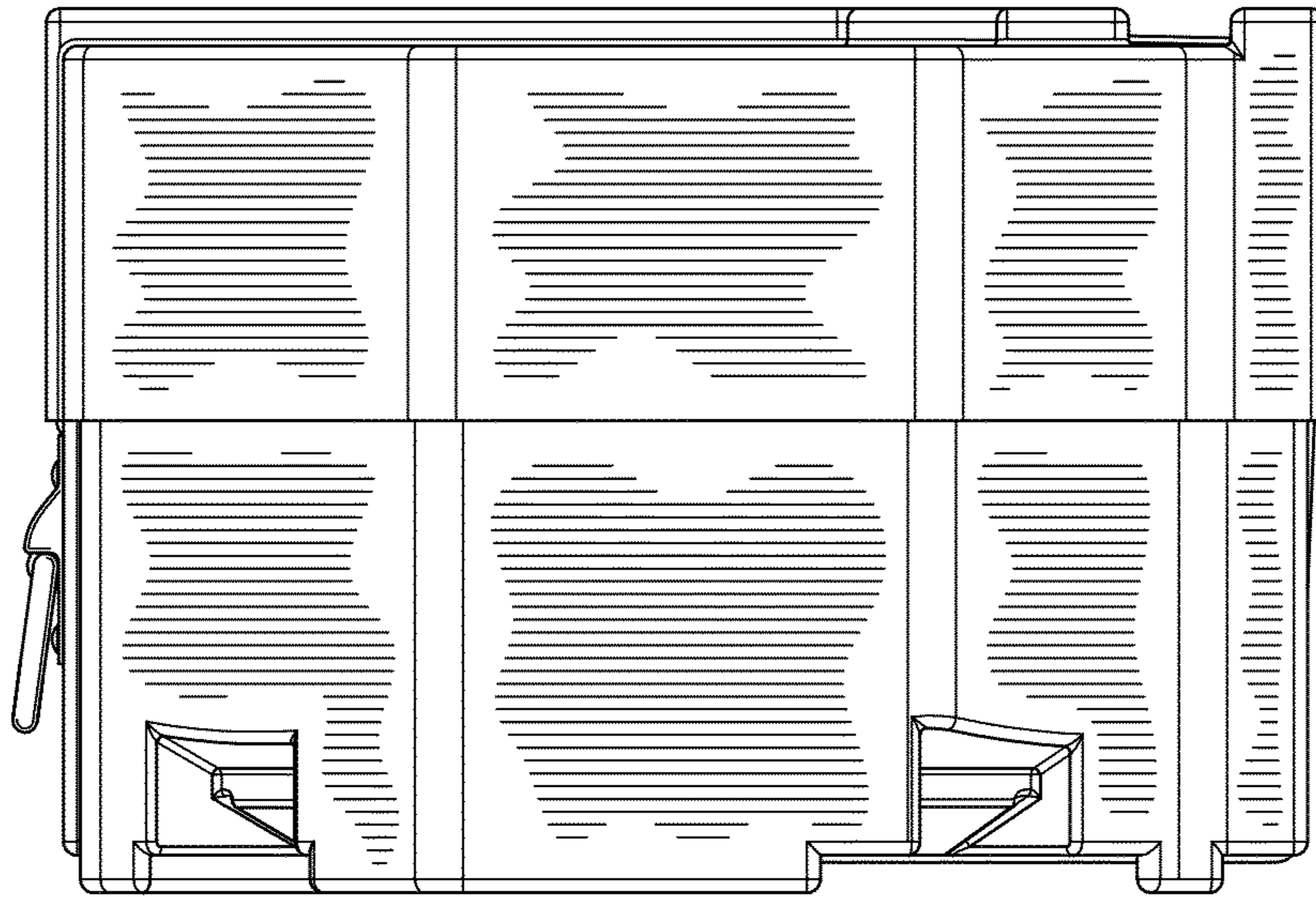


FIG. 7

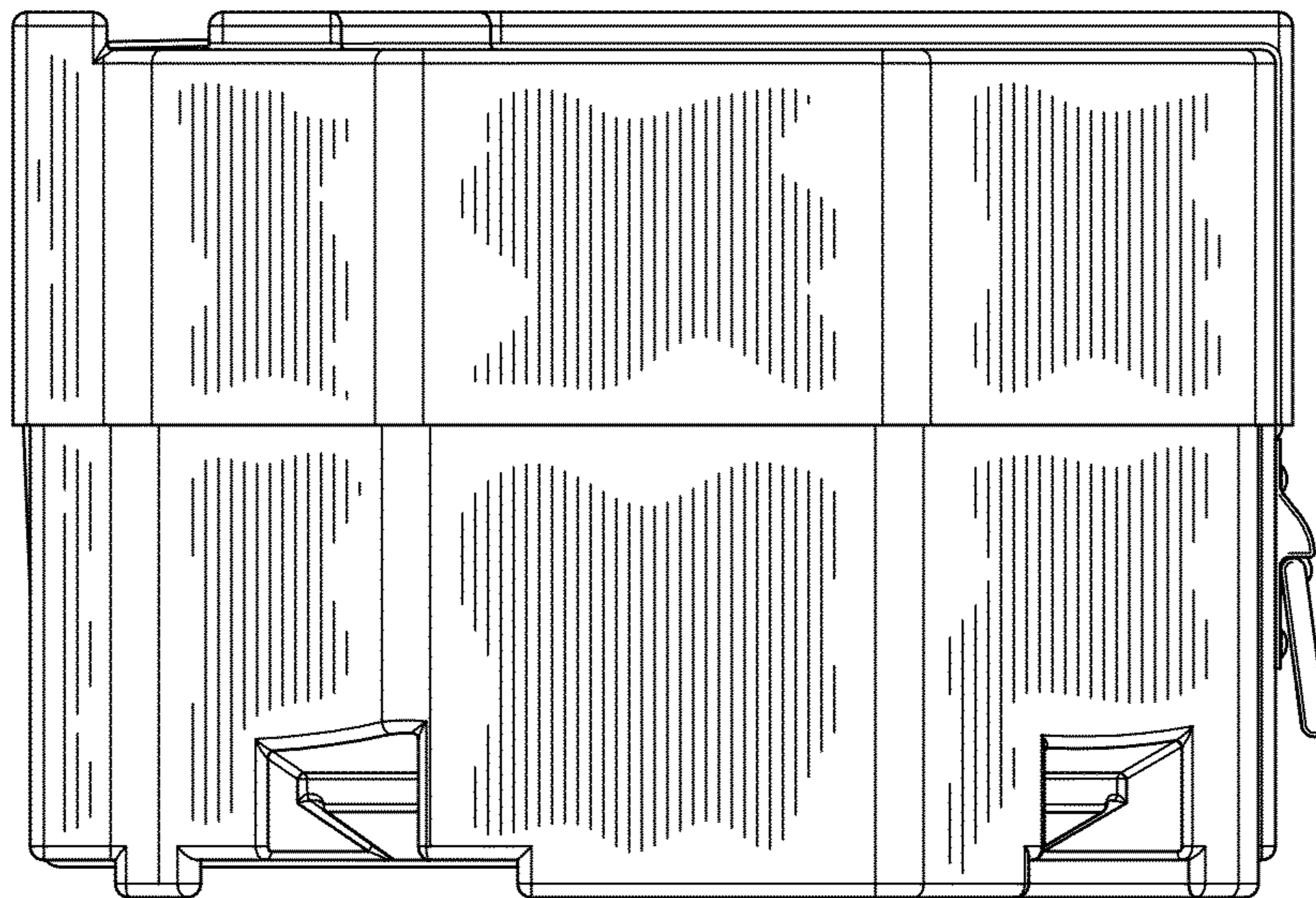


FIG. 8