



US00D700415S

(12) **United States Design Patent**  
**Baker**

(10) **Patent No.:** **US D700,415 S**

(45) **Date of Patent:** **\*\* Feb. 25, 2014**

(54) **MAILBOX GASKET**

(71) Applicant: **Nathaniel Gerald Baker**, Memphis, TN  
(US)

(72) Inventor: **Nathaniel Gerald Baker**, Memphis, TN  
(US)

(\*\*) Term: **14 Years**

(21) Appl. No.: **29/459,585**

(22) Filed: **Jul. 1, 2013**

(51) **LOC (10) Cl.** ..... **99-00**

(52) **U.S. Cl.**  
USPC ..... **D99/43**

(58) **Field of Classification Search**  
USPC ..... D99/28, 29, 30, 31, 32, 43, 99; 232/1 R,  
232/1 A, 17, 19, 20, 30, 31, 38, 39  
See application file for complete search history.

(56) **References Cited**

**U.S. PATENT DOCUMENTS**

745,749	A *	12/1903	Wheeler	.....	232/34
4,105,180	A *	8/1978	Hodge	.....	248/300
4,368,842	A *	1/1983	DeLange, III	.....	232/17
D385,676	S *	10/1997	Childress et al.	.....	D99/29
6,474,543	B2 *	11/2002	Grell	.....	232/38

D477,450	S *	7/2003	South	.....	D99/29
D526,759	S *	8/2006	Papernik	.....	D99/29
7,182,244	B2 *	2/2007	Brown	.....	232/38
D580,623	S *	11/2008	Bowers	.....	D99/29
D580,624	S *	11/2008	Bowers	.....	D99/29

\* cited by examiner

*Primary Examiner* — Elizabeth J Oswecki

(74) *Attorney, Agent, or Firm* — Butler Snow LLP

(57) **CLAIM**

I claim the ornamental design for a mailbox gasket, as shown and described.

**DESCRIPTION**

FIG. 1 is a top perspective view of a mailbox gasket showing my new design.

FIG. 2 is a perspective view thereof.

FIG. 3 is the front elevational view thereof.

FIG. 4 is a right side elevational view thereof.

FIG. 5 is the rear elevational view thereof.

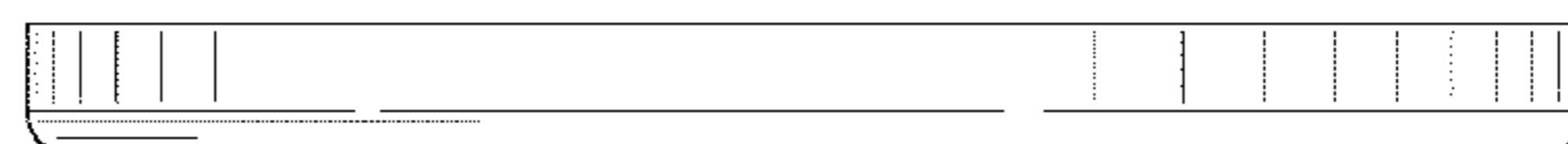
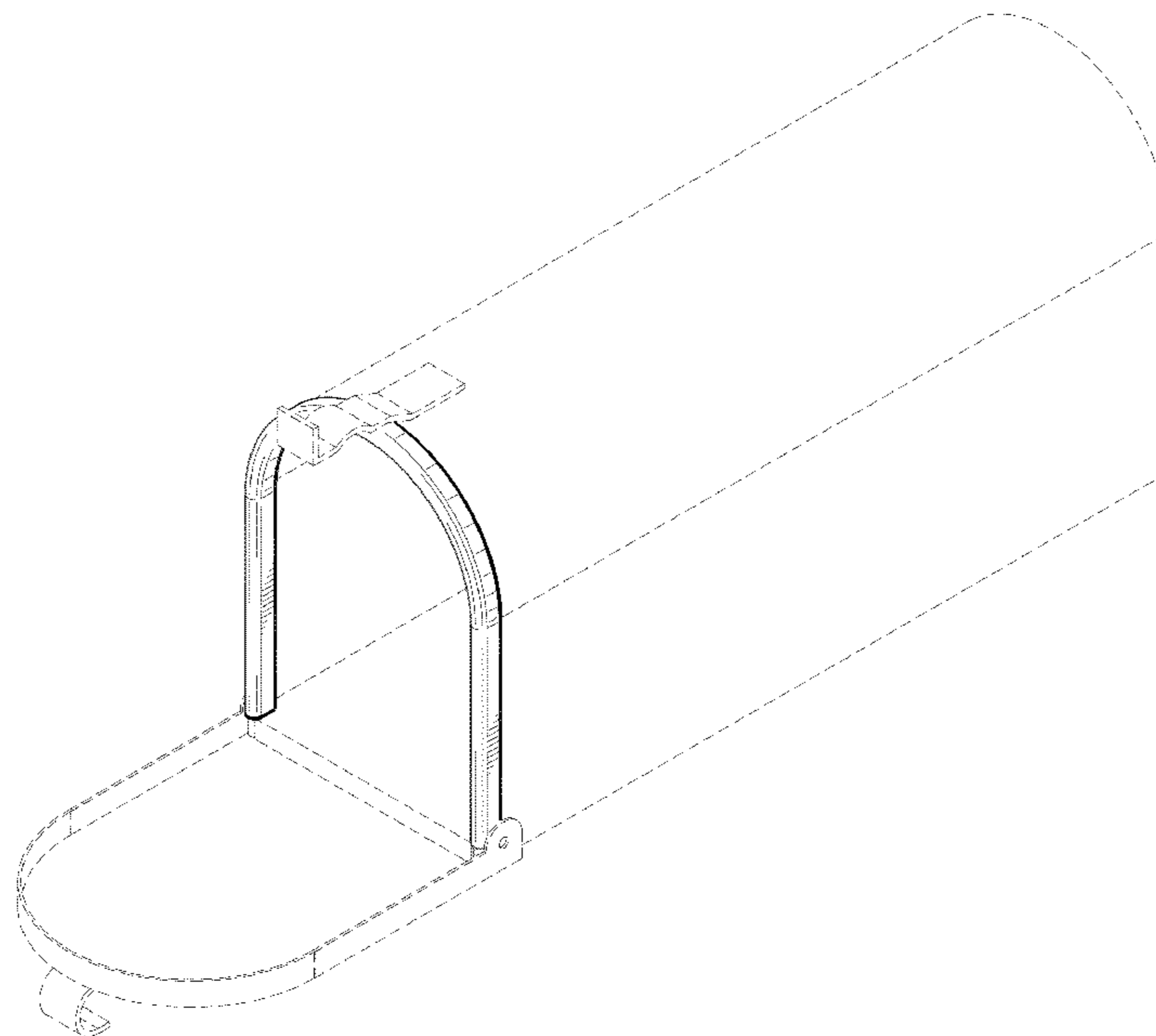
FIG. 6 is a top plan view thereof; and,

FIG. 7 is a bottom plan view thereof.

The broken lines are for environmental purpose and form no part of the claim.

All surfaces not shown form no part of the claimed design.

**1 Claim, 5 Drawing Sheets**



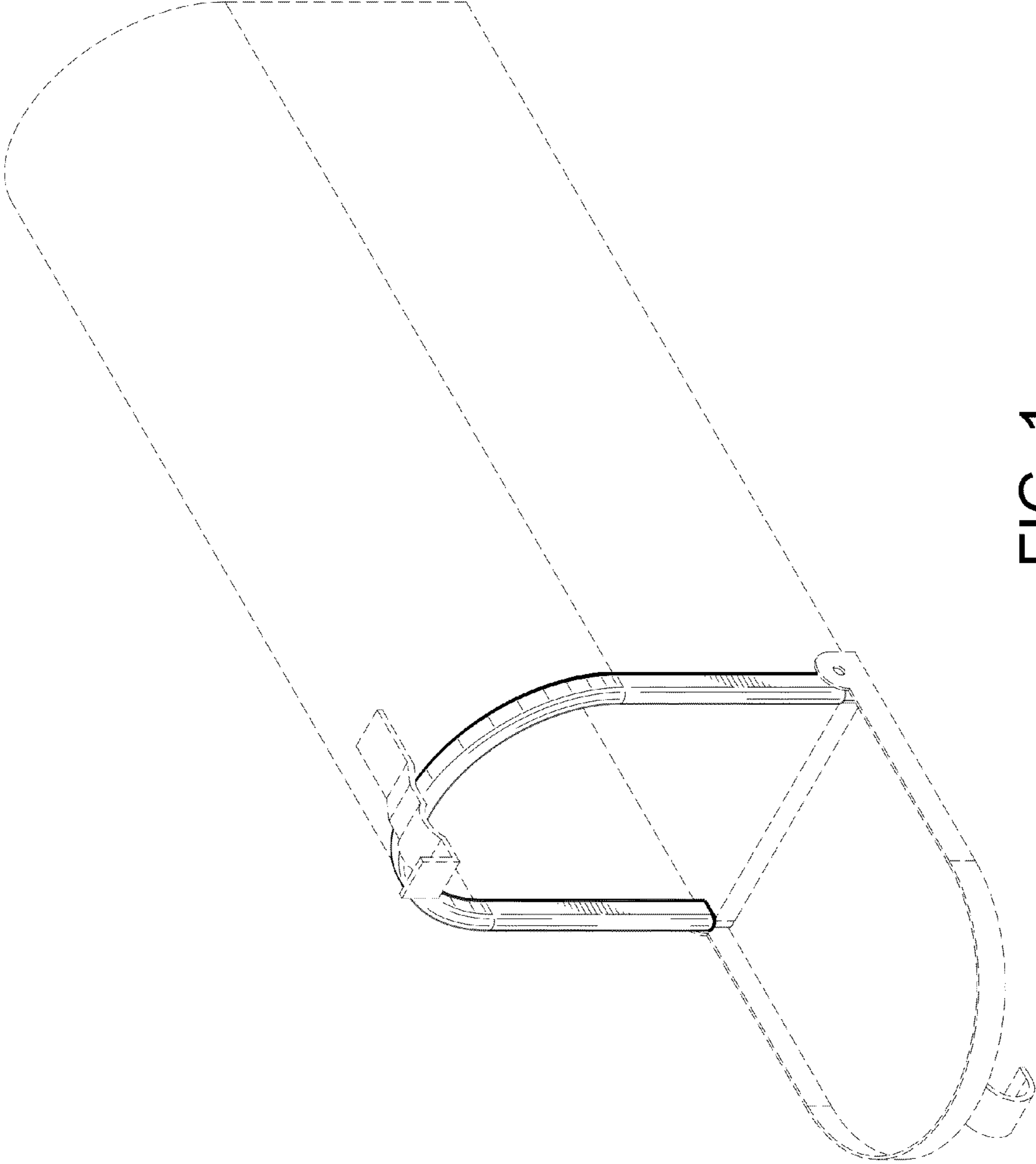


FIG. 1

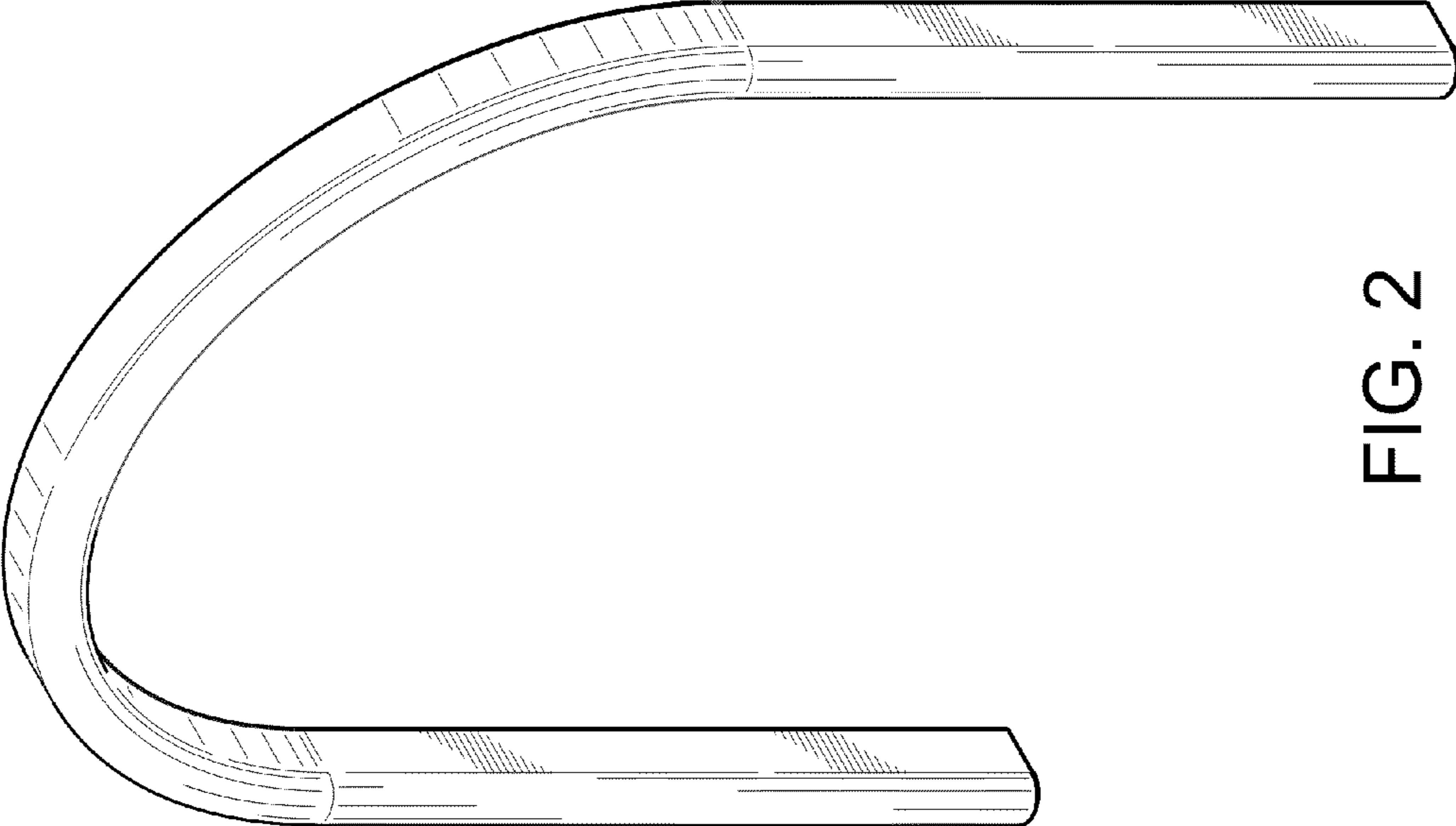


FIG. 2

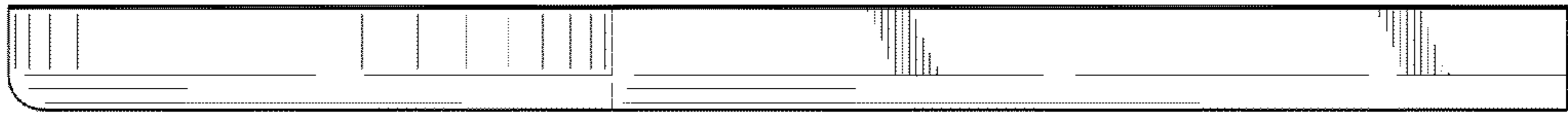


FIG. 4

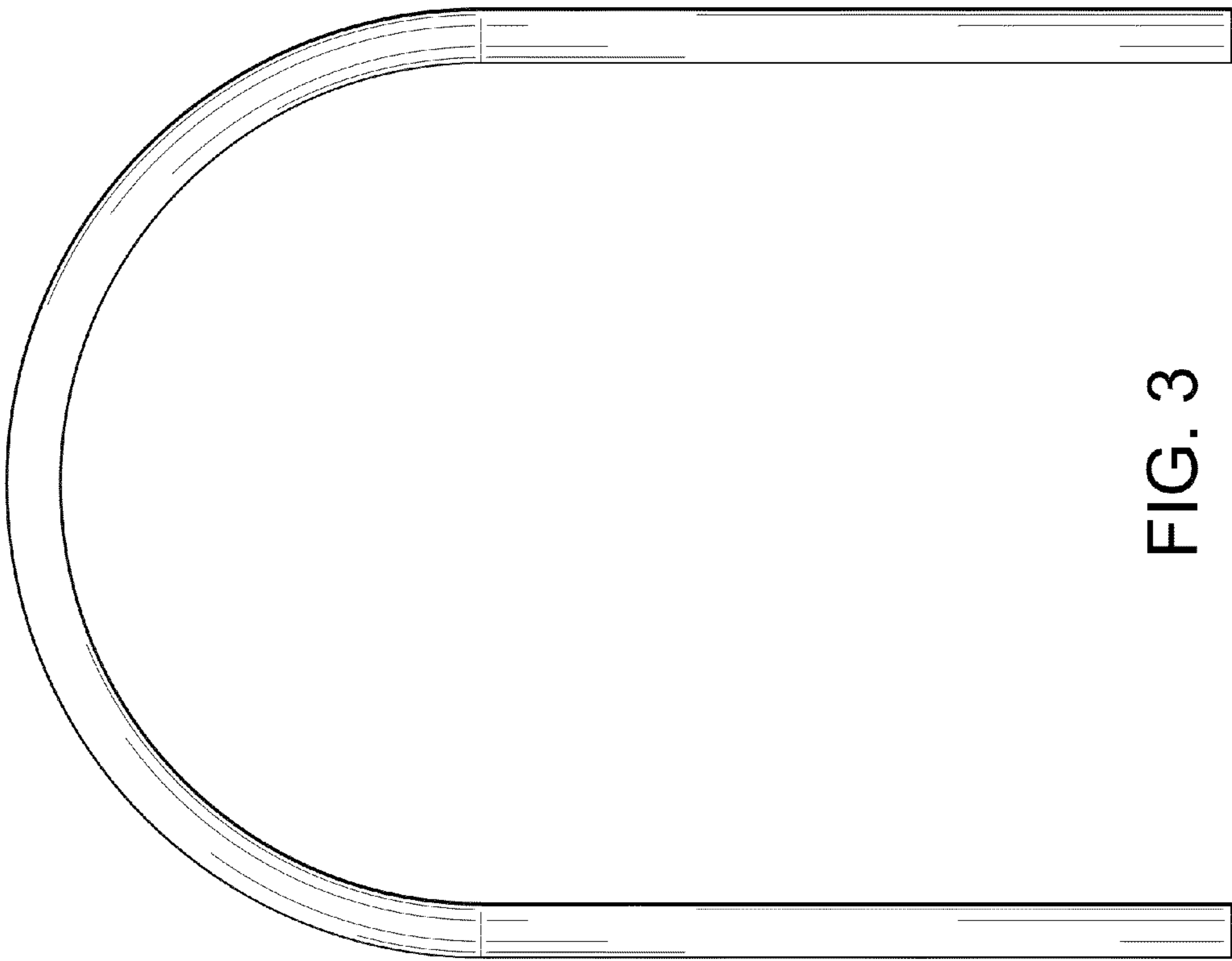


FIG. 3

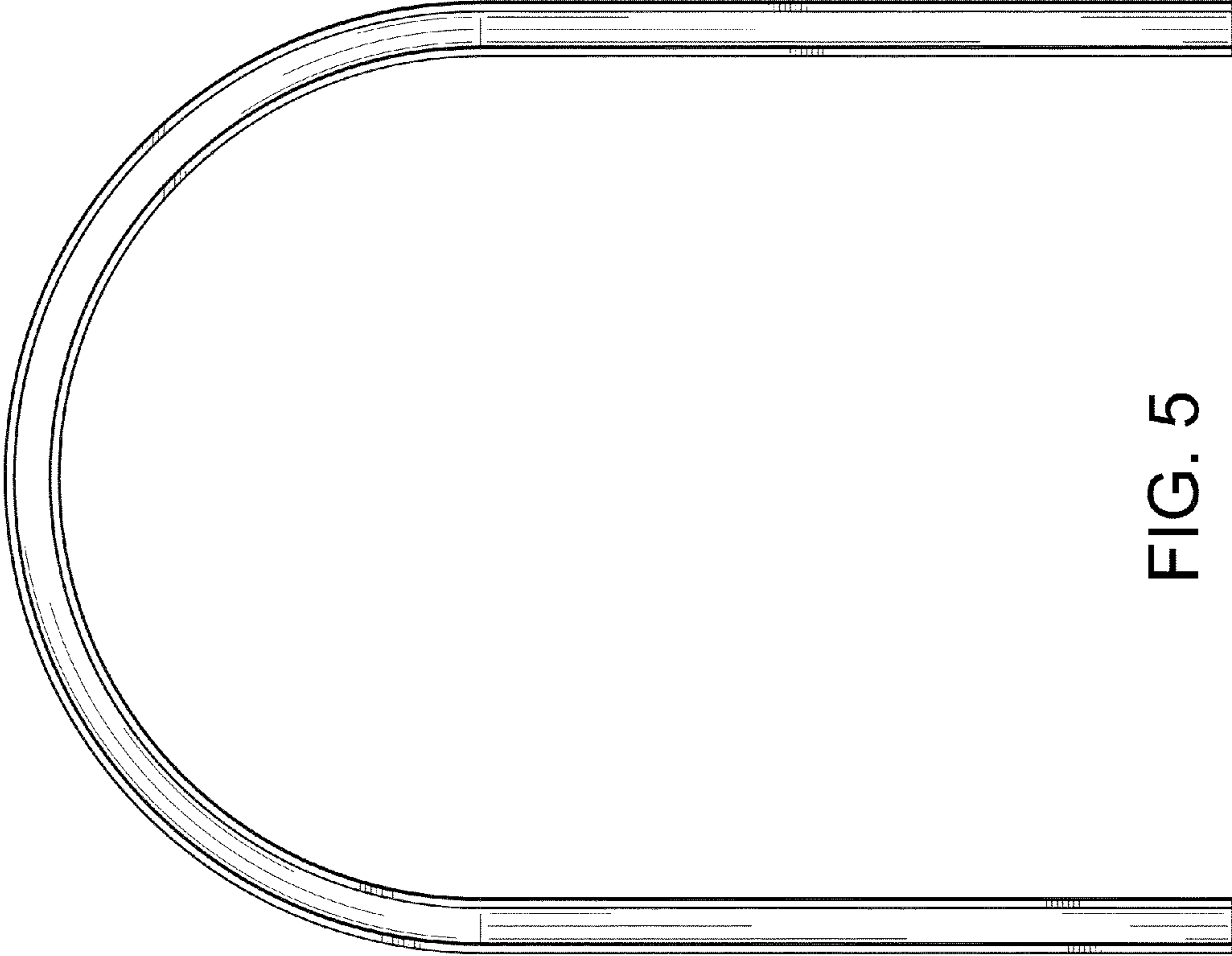


FIG. 5

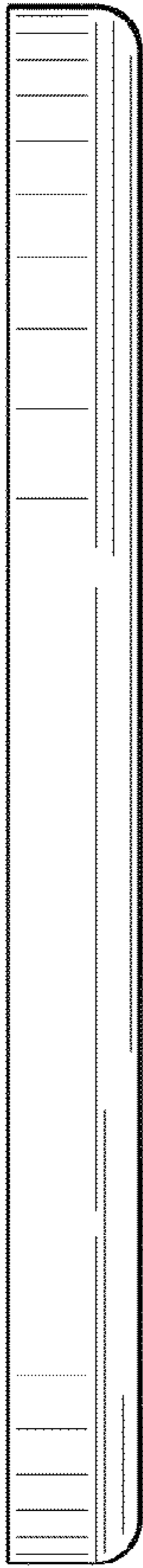


FIG. 6

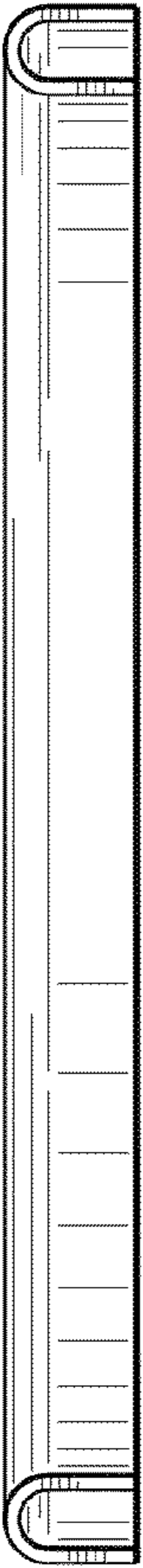


FIG. 7