



US00D700413S

(12) **United States Design Patent**
Ediger et al.

(10) **Patent No.:** **US D700,413 S**

(45) **Date of Patent:** **** Feb. 25, 2014**

(54) **GARMENT STEAMER BRUSH**

(71) Applicant: **Vornado Air, LLC**, Andover, KS (US)

(72) Inventors: **Glen W. Ediger**, North Newton, KS (US); **Gary P. Israel**, Andover, KS (US); **Katherine T. Sparks**, Wichita, KS (US)

(73) Assignee: **Vornado Air, LLC**, Andover, KS (US)

(**) Term: **14 Years**

(21) Appl. No.: **29/438,494**

(22) Filed: **Nov. 30, 2012**

(51) **LOC (10) Cl.** **15-05**

(52) **U.S. Cl.**
USPC **D32/33**

(58) **Field of Classification Search**
USPC D32/17-21, 24, 31-33, 50; 15/320, 15/322, 327.1, 327.5-327.7, 353, 15/415.1-422, 422.1, 329, 366, 383, 384, 15/400, 340.4, 340.2, 52.2, 50.1, 50.2; 68/222, 5 R, 5 A; 392/403-406, 394, 392/386; 8/149.3; 239/136, 128; 137/241; 38/77.5-77.7, 77.9, 3, 14, 141, 77.83
See application file for complete search history.

(56) **References Cited**

U.S. PATENT DOCUMENTS

D287,892	S	*	1/1987	Rosa et al.	D32/17
D319,121	S	*	8/1991	Muller	D32/17
6,157,775	A	*	12/2000	Tsai	392/404
6,879,776	B1	*	4/2005	Wu	392/405

7,155,117	B2	*	12/2006	Leung et al.	392/404
D595,461	S	*	6/2009	Massip et al.	D32/17
D621,112	S	*	8/2010	Benacquisto	D32/33
D621,567	S	*	8/2010	Crawley	D32/33
D622,457	S	*	8/2010	Choi	D32/17
D624,254	S	*	9/2010	Ediger et al.	D32/17
D656,695	S	*	3/2012	Crawley	D32/33
D663,909	S	*	7/2012	Andreesen	D32/17
2006/0056824	A1	*	3/2006	Leung et al.	392/403
2008/0034813	A1	*	2/2008	Tobias	68/222
2009/0255302	A1	*	10/2009	Haan	68/222
2010/0058623	A1	*	3/2010	Fernandez	38/14
2010/0269287	A1	*	10/2010	Vrdoljak et al.	15/322
2011/0173848	A1	*	7/2011	Lin et al.	38/14
2012/0131822	A1	*	5/2012	Pan et al.	38/3
2012/0144619	A1	*	6/2012	Forbes et al.	15/383

* cited by examiner

Primary Examiner — Ruth McInroy

(74) *Attorney, Agent, or Firm* — David H. Milligan

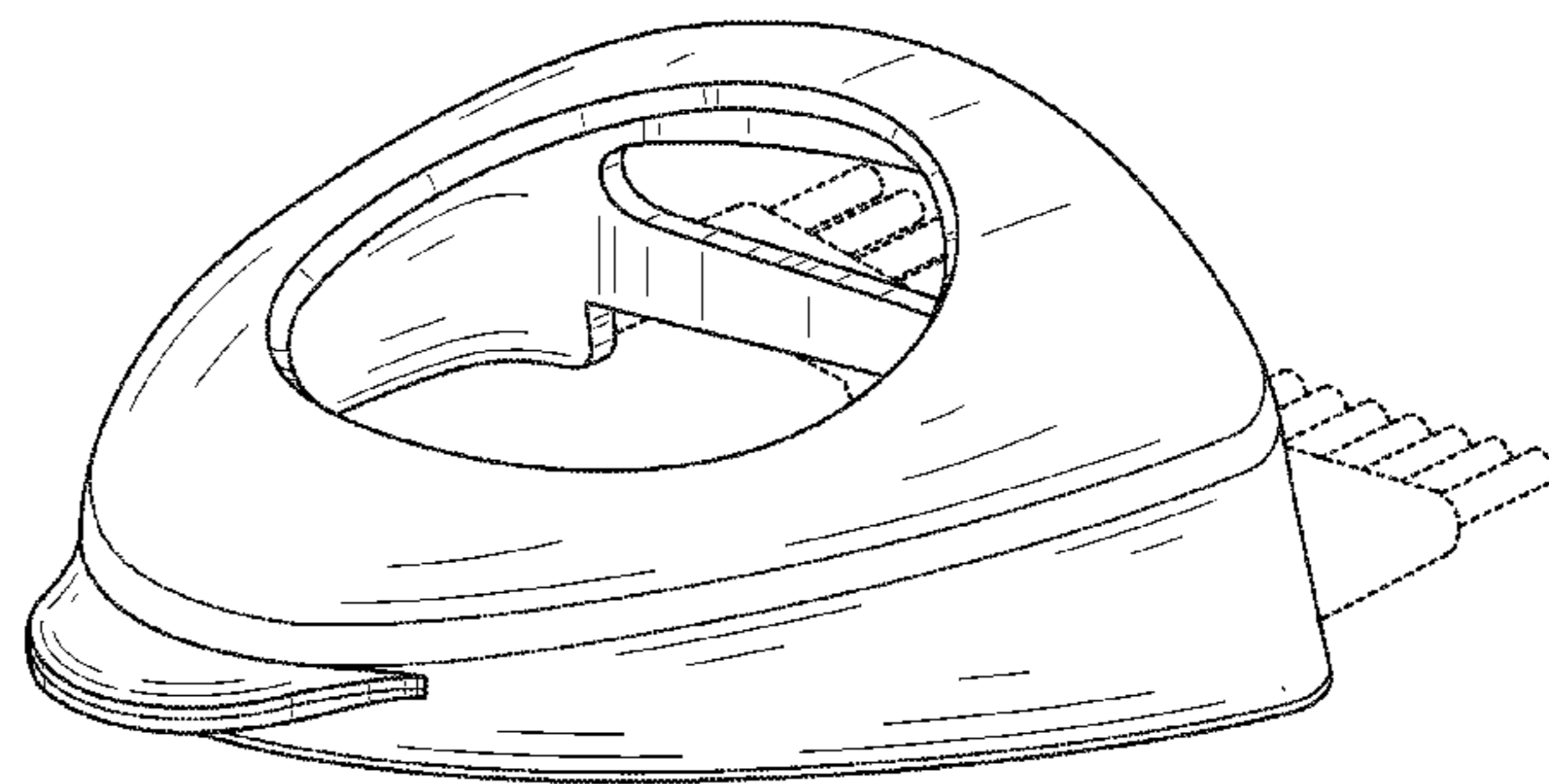
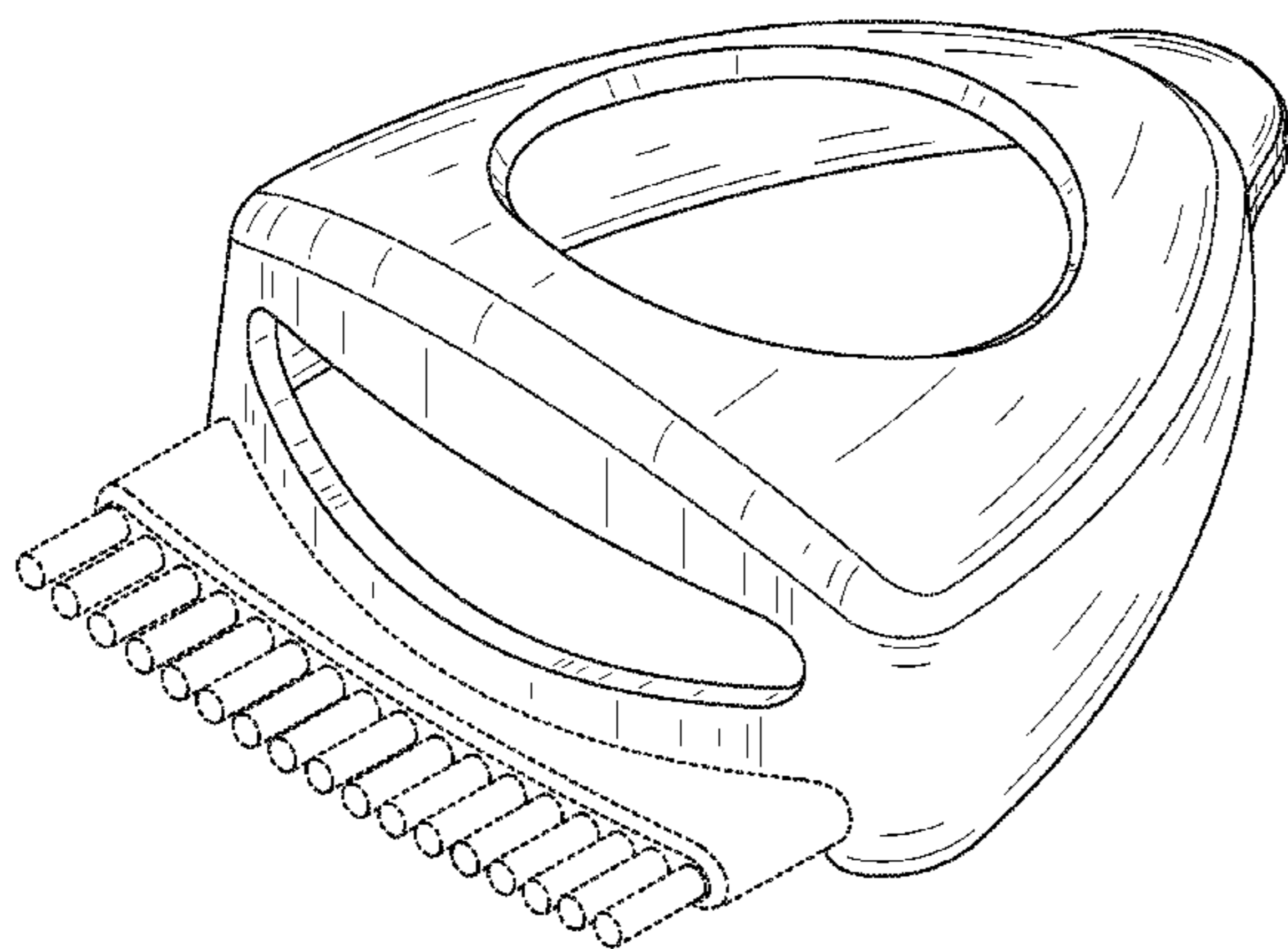
(57) **CLAIM**

The ornamental design for a garment steamer brush, as shown and described.

DESCRIPTION

FIG. 1 is a bottom right perspective view of a garment steamer brush showing our new design;
FIG. 2 is a top left perspective view thereof;
FIG. 3 is a bottom view thereof;
FIG. 4 is a top view thereof;
FIG. 5 is a right side view thereof;
FIG. 6 is a left side view thereof;
FIG. 7 is a front view thereof; and,
FIG. 8 is a rear view thereof.

1 Claim, 8 Drawing Sheets



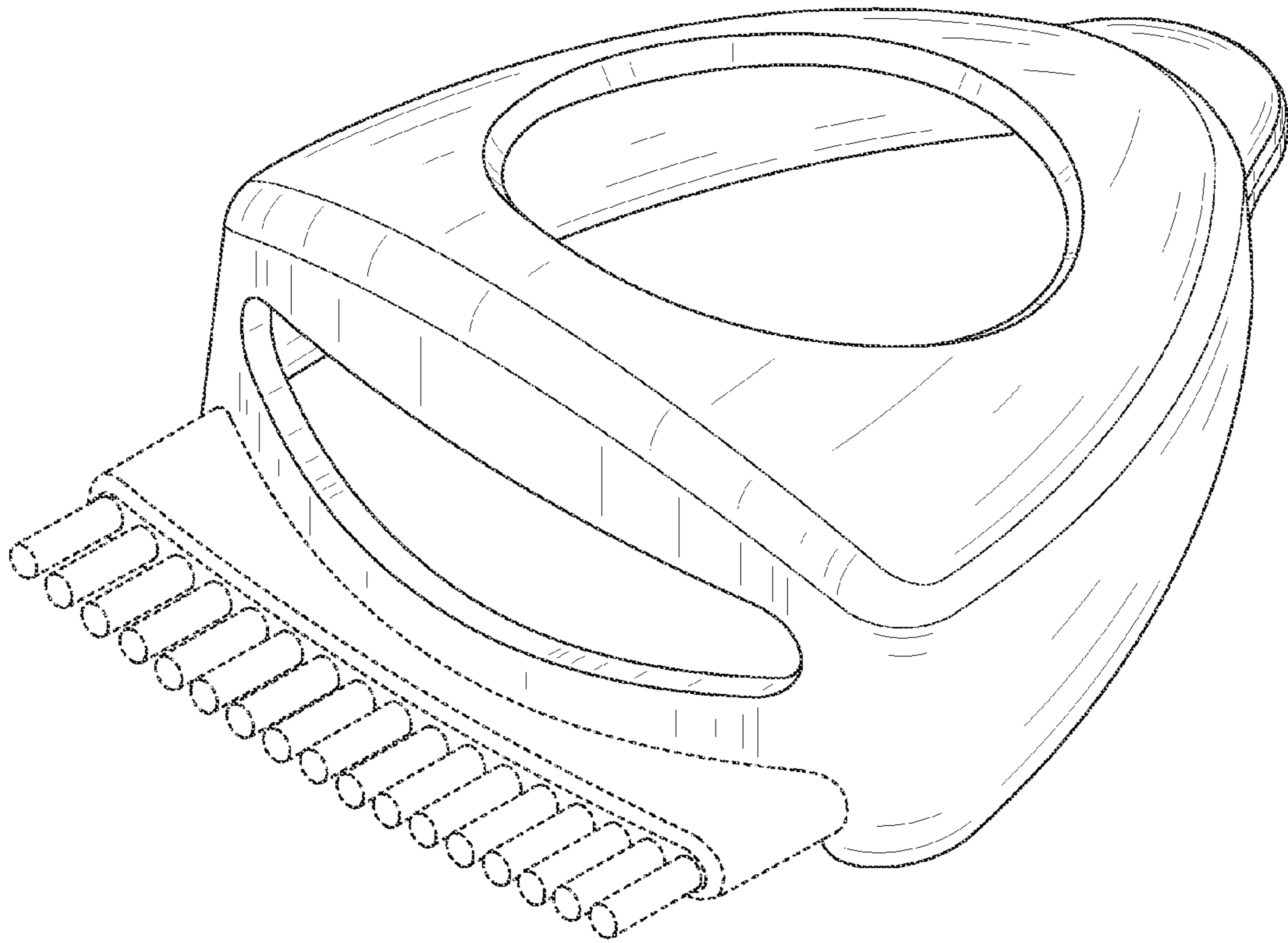


FIG. 1

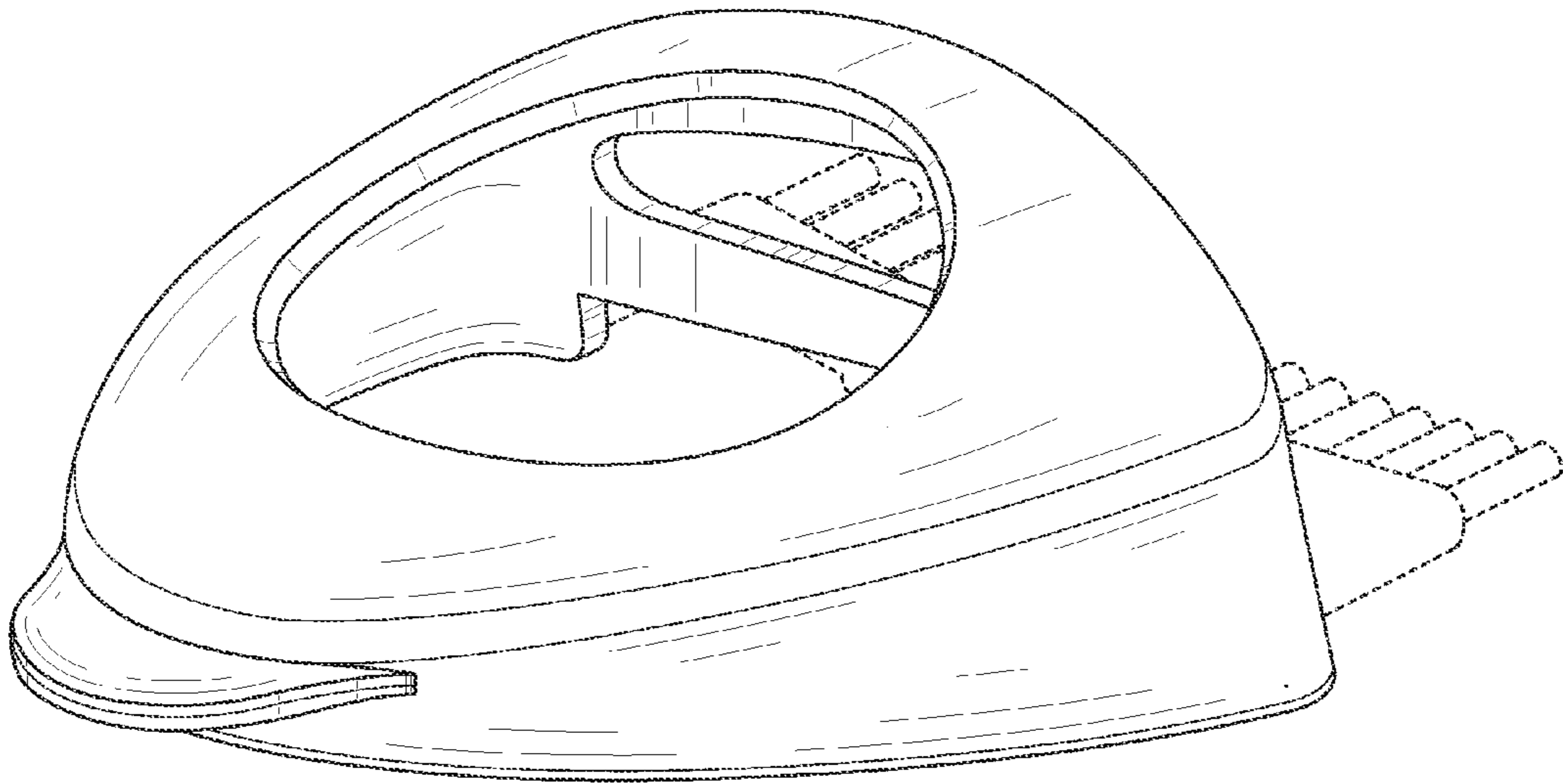


FIG. 2

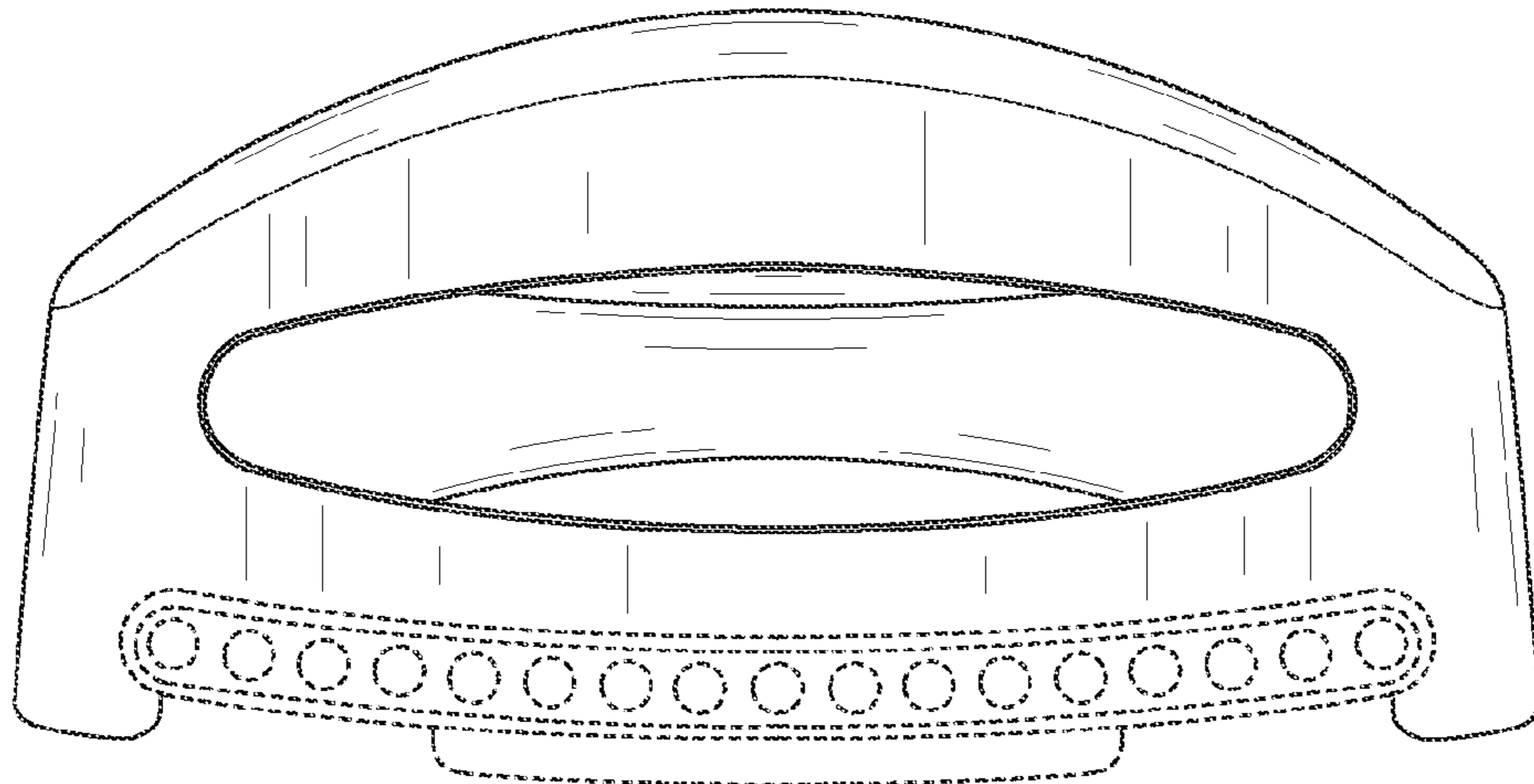


FIG. 3

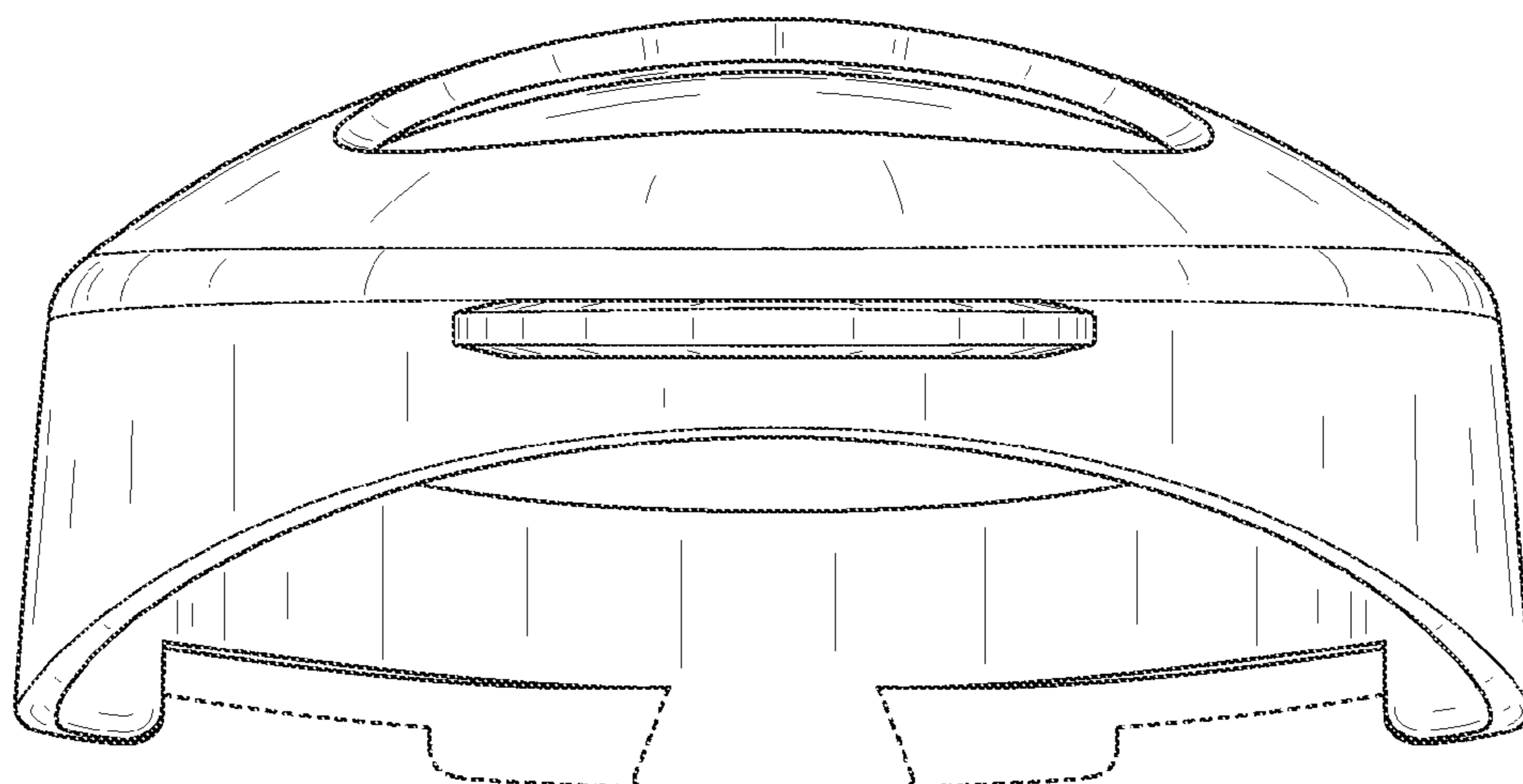


FIG. 4

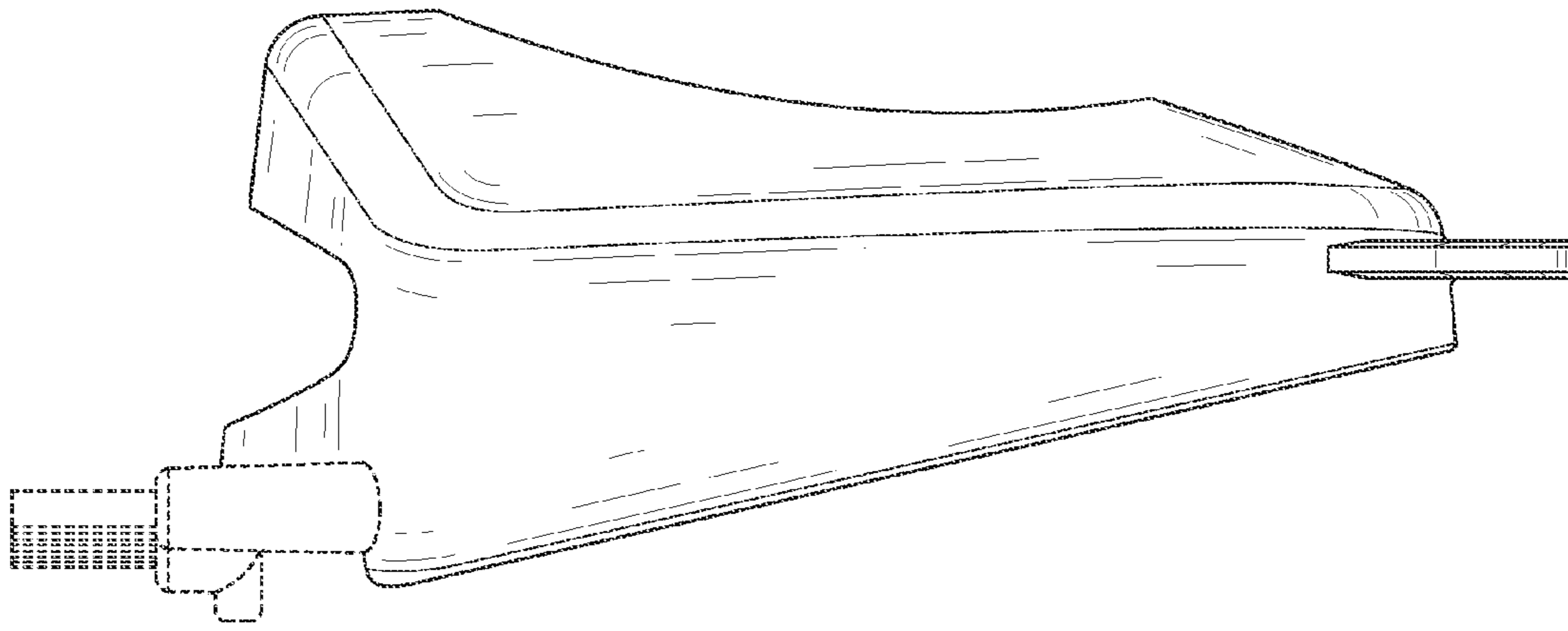


FIG. 5

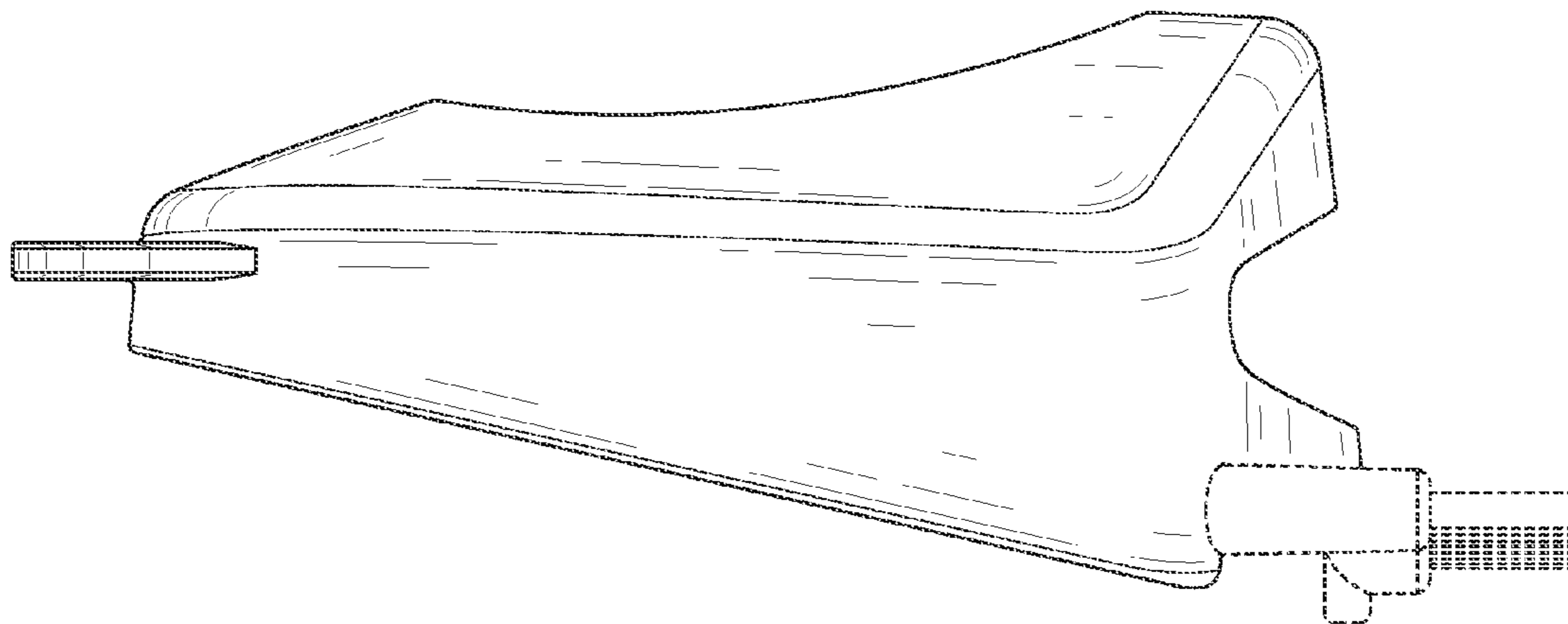


FIG. 6

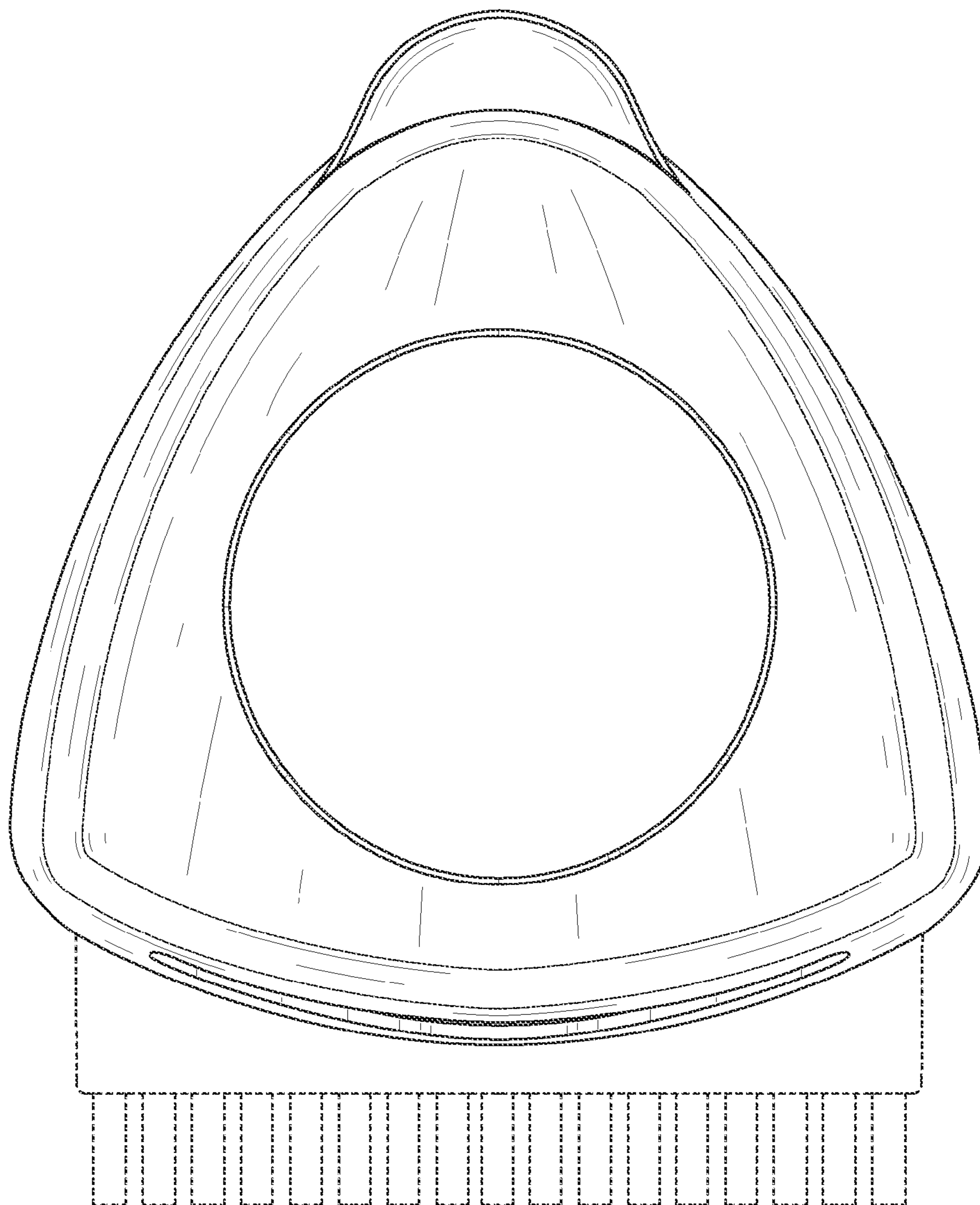


FIG. 7

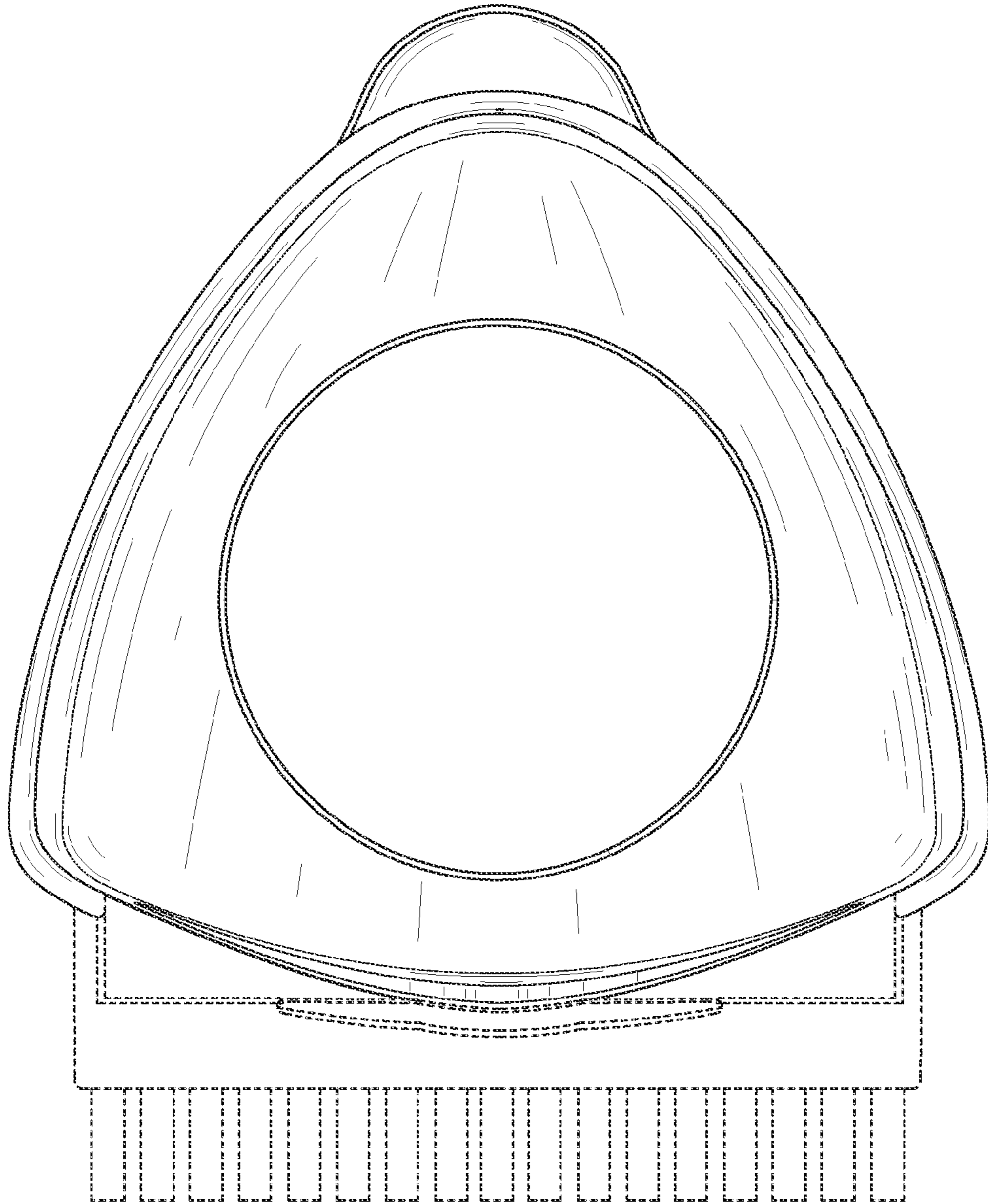


FIG. 8