



US00D700411S

(12) **United States Design Patent**  
**Ha et al.**

(10) **Patent No.:** **US D700,411 S**

(45) **Date of Patent:** **\*\* Feb. 25, 2014**

(54) **DRUM FOR WASHING MACHINE**  
(71) Applicant: **LG Electronics Inc.**, Seoul (KR)  
(72) Inventors: **Youngsoo Ha**, Seoul (KR); **Jeaseok Seong**, Gyeonggi-do (KR); **Kyungah Lee**, Gyeonggi-do (KR); **Jonghee Han**, Gyeonggi-do (KR)

D556,404 S \* 11/2007 Park et al. .... D32/25  
7,395,684 B2 \* 7/2008 Ozturk ..... 68/142  
7,444,843 B2 \* 11/2008 Ozturk et al. .... 68/142  
D604,465 S \* 11/2009 Geyer et al. .... D32/25  
7,661,203 B2 \* 2/2010 Fumagalli ..... 34/596  
D652,591 S \* 1/2012 Kim ..... D32/25  
8,181,355 B2 \* 5/2012 Geyer et al. .... 34/58  
8,220,177 B2 \* 7/2012 Bryan ..... 34/59

(Continued)

(73) Assignee: **LG Electronics Inc.**, Seoul (KR)

(\*\*) Term: **14 Years**

(21) Appl. No.: **29/462,677**

(22) Filed: **Aug. 7, 2013**

(30) **Foreign Application Priority Data**

Feb. 7, 2013 (KR) ..... 30-2013-0006873

(51) **LOC (10) Cl.** ..... **15-05**

(52) **U.S. Cl.**  
USPC ..... **D32/29**

(58) **Field of Classification Search**  
USPC ..... D32/1, 25, 29; 68/3 R, 5 R, 12.01,  
68/23.3-23.4, 24, 124, 139, 142;  
34/58-59, 108, 595-596, 602;  
220/676; 210/374, 377  
See application file for complete search history.

(56) **References Cited**

**U.S. PATENT DOCUMENTS**

4,888,965 A \* 12/1989 Fanson et al. .... 68/23.4  
5,287,989 A \* 2/1994 Luther ..... 220/676  
5,881,909 A \* 3/1999 Crain et al. .... 220/676  
5,934,110 A \* 8/1999 Nitsche ..... 68/142  
D426,686 S \* 6/2000 Clausen et al. .... D32/29  
6,334,341 B1 \* 1/2002 Hellhake et al. .... 68/124  
6,401,363 B1 \* 6/2002 Miramondi ..... 34/602  
6,698,107 B2 \* 3/2004 Song et al. .... 34/595  
6,739,457 B2 \* 5/2004 Humphries et al. .... 210/374  
D528,719 S \* 9/2006 No et al. .... D32/29

**OTHER PUBLICATIONS**

Community Design No. 000649751-0005, washing machine, Feb. 13, 2007.

*Primary Examiner* — T. Chase Nelson  
*Assistant Examiner* — Kathleen M Sims

(74) *Attorney, Agent, or Firm* — Morgan, Lewis & Bockius LLP

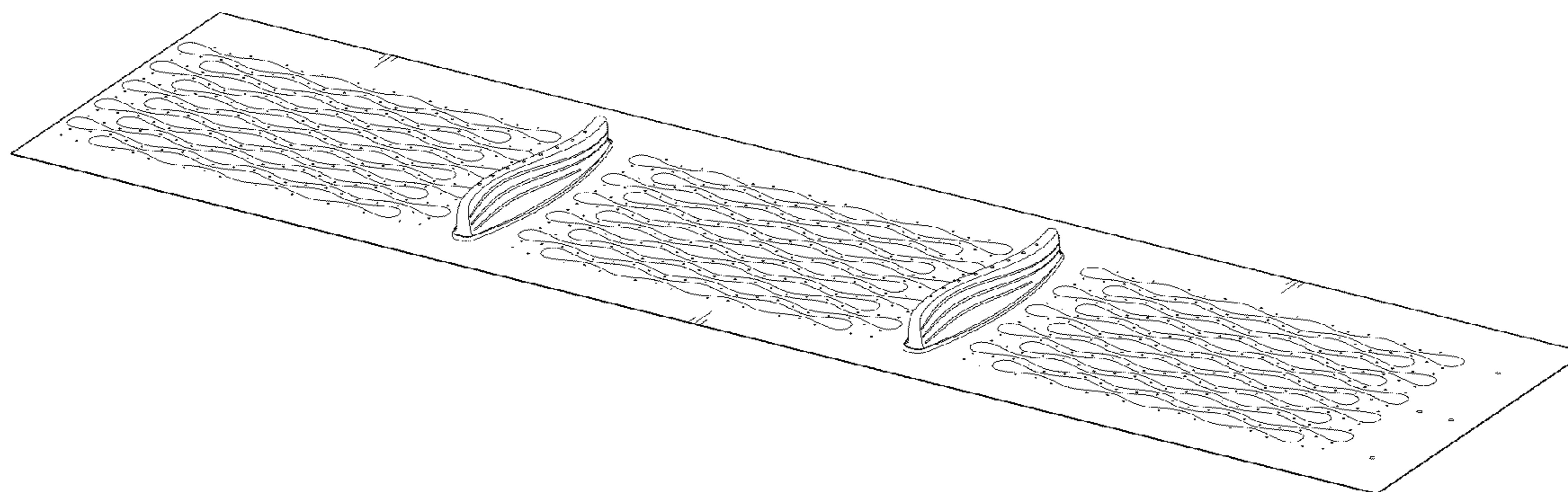
(57) **CLAIM**

The ornamental design for a drum for washing machine, as shown and described.

**DESCRIPTION**

FIG. 1 is a perspective view of a drum for washing machine showing our new design;  
FIG. 2 is a front view thereof;  
FIG. 3 is a rear view thereof;  
FIG. 4 is a left side view thereof where the right side view is a mirror image;  
FIG. 5 is a top plan view thereof;  
FIG. 6 is a bottom plan view thereof;  
FIG. 7 is a reference perspective view thereof showing the state that the drum has been installed in the washing machine; and,  
FIG. 8 is a reference perspective view thereof showing the state that the drum has been rolled up in order to be installed in the washing machine.  
The broken lines are for illustrative purposes only and form no part of the claimed design.

**1 Claim, 7 Drawing Sheets**



(56)

**References Cited**

U.S. PATENT DOCUMENTS

D668,826 S *	10/2012	An et al. ....	D32/29	2005/0022565 A1 *	2/2005	Jung et al. ....	68/24
D674,157 S *	1/2013	Taewan et al. ....	D32/29	2005/0097927 A1 *	5/2005	Kim et al. ....	68/24
D683,092 S *	5/2013	Taewan et al. ....	D32/29	2009/0211313 A1 *	8/2009	Exler et al. ....	68/142
2003/0115913 A1 *	6/2003	Lee et al. ....	68/23.3	2010/0287996 A1 *	11/2010	Geyer et al. ....	68/139
				2010/0326142 A1 *	12/2010	Geyer et al. ....	68/139
				2011/0088276 A1 *	4/2011	Geyer et al. ....	34/108
				2013/0047679 A1 *	2/2013	Cinello et al. ....	68/212

\* cited by examiner

FIG. 1

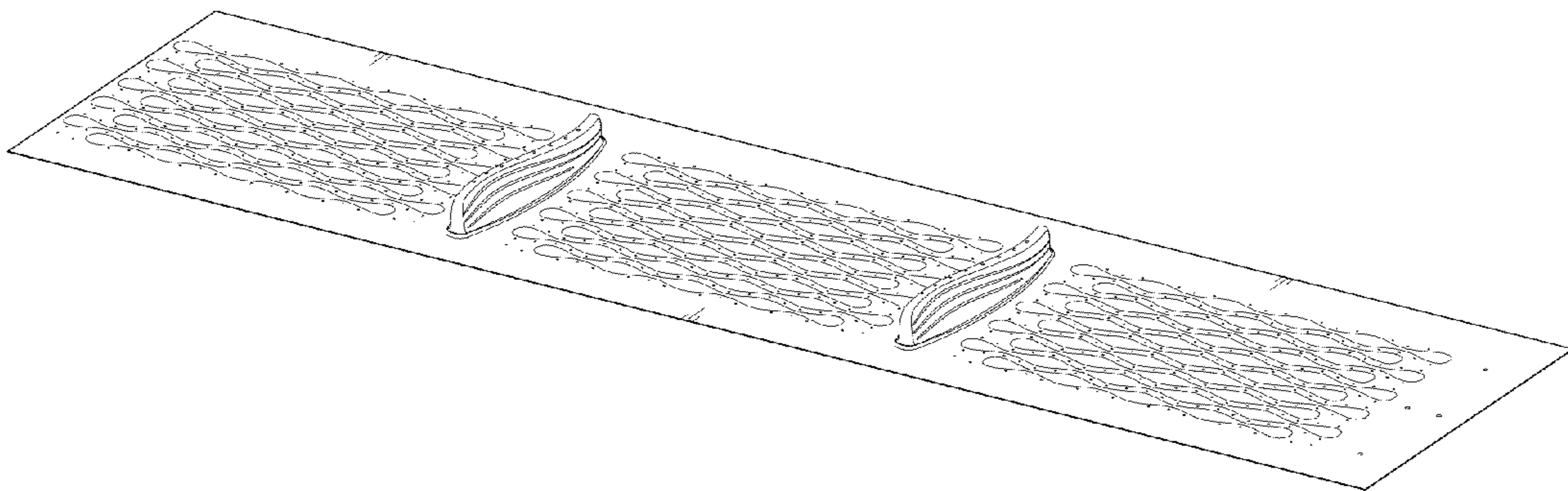


FIG. 2

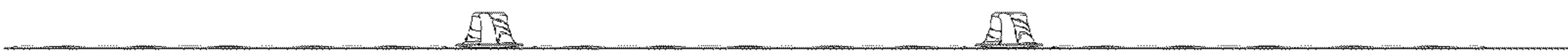


FIG. 3

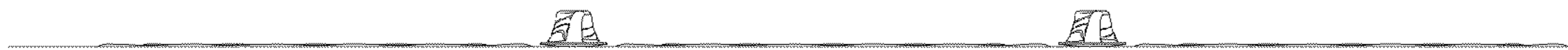


FIG. 4



FIG. 5

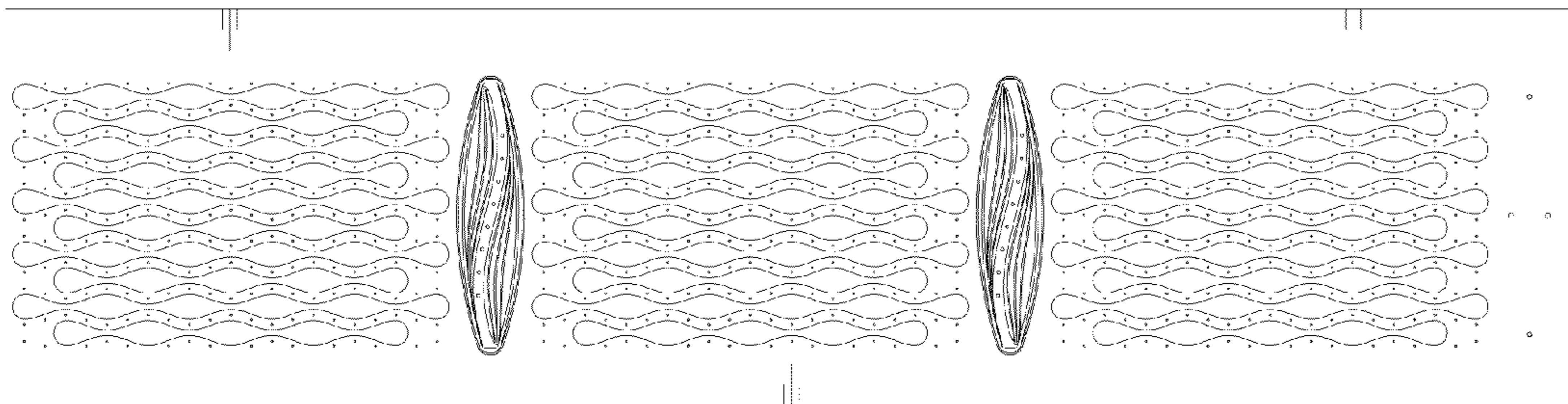


FIG. 6

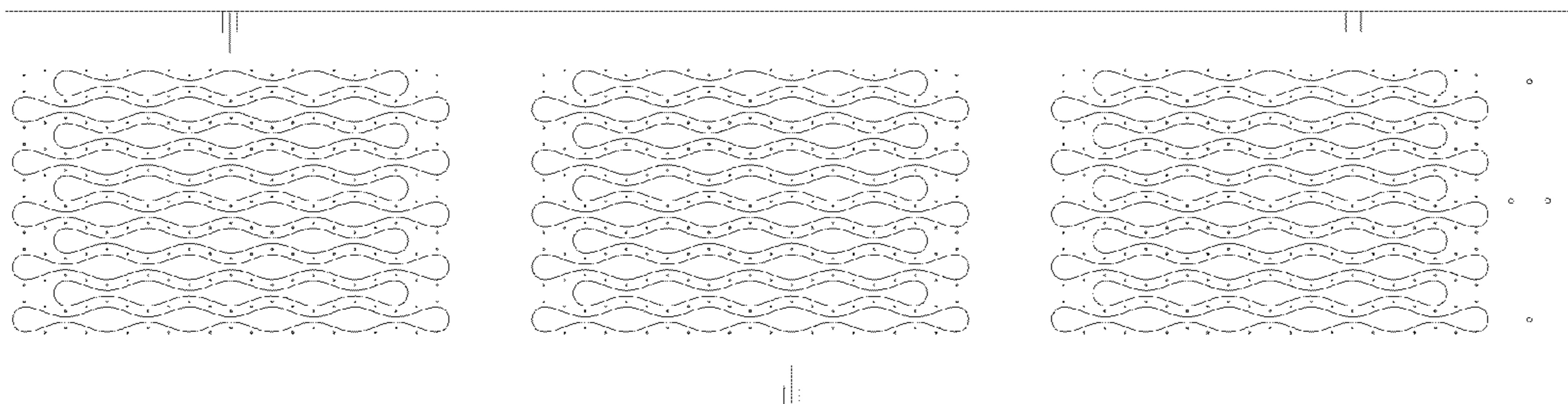


FIG. 7

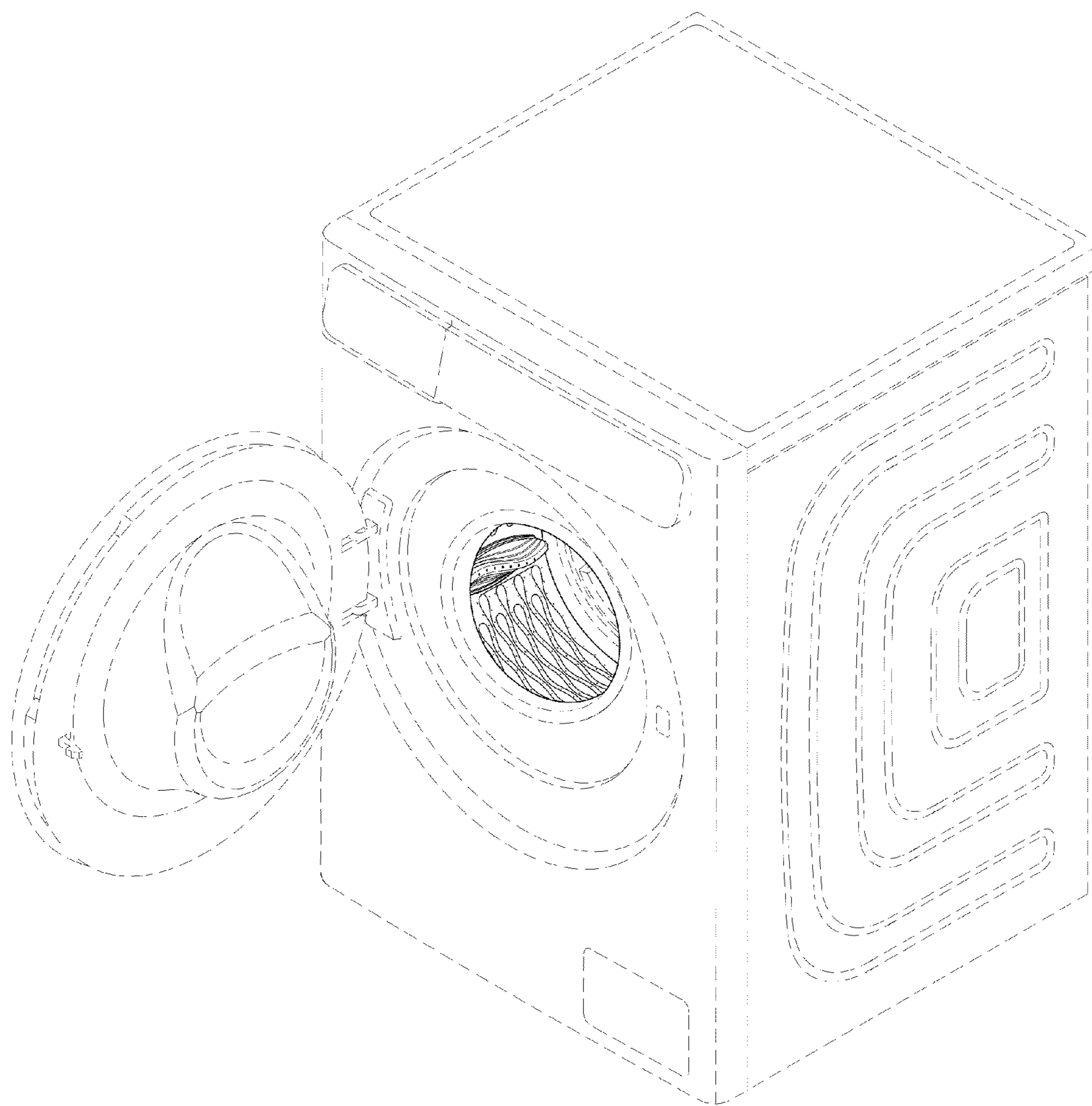




FIG. 8

