

US00D700410S

(12) **United States Design Patent**
Hwang et al.

(10) **Patent No.:** **US D700,410 S**

(45) **Date of Patent:** **** Feb. 25, 2014**

(54) **CLOTHES DRYER**

(71) Applicant: **Samsung Electronics Co., Ltd.**,
Suwon-Si (KR)

(72) Inventors: **Jung Hoon Hwang**, Yongin-si (KR); **Tae Hyoung Cho**, Seoul (KR); **Hyoungsub Choi**, Seoul (KR)

(73) Assignee: **Samsung Electronics Co., Ltd.**,
Gyeonggi-do (KR)

(**) Term: **14 Years**

(21) Appl. No.: **29/454,379**

(22) Filed: **May 9, 2013**

(30) **Foreign Application Priority Data**

Nov. 27, 2012 (KR) 30-2012-0056777

(51) **LOC (10) Cl.** **15-05**

(52) **U.S. Cl.**
USPC **D32/25**

(58) **Field of Classification Search**
USPC D32/1, 5-6, 8, 10, 25, 28; 68/3 R, 4, 5 R,
68/12.01, 12.07-12.08, 212; 34/87-88,
34/523-524
See application file for complete search history.

(56) **References Cited**

U.S. PATENT DOCUMENTS

D360,501 S * 7/1995 Ertz et al. D32/6
D360,716 S * 7/1995 Ertz et al. D32/8
5,661,914 A * 9/1997 Millet 34/601
5,881,579 A * 3/1999 Ellingson 68/24
6,508,085 B1 * 1/2003 Byrne 68/3 R

D524,000 S * 6/2006 Kim et al. D32/6
D527,853 S * 9/2006 Carey et al. D32/6
D532,941 S * 11/2006 Carey et al. D32/6
D575,464 S * 8/2008 Rossetto et al. D32/8
D619,313 S * 7/2010 Cline et al. D32/25
D619,314 S * 7/2010 Bixby et al. D32/25
D620,212 S * 7/2010 Bixby et al. D32/25
D630,807 S * 1/2011 Song et al. D32/6
D633,261 S * 2/2011 Song et al. D32/6
D648,909 S * 11/2011 Bhattacharya D32/25
D651,778 S * 1/2012 Miller et al. D32/25
D661,852 S * 6/2012 Song et al. D32/8

* cited by examiner

Primary Examiner — T. Chase Nelson

Assistant Examiner — Kathleen M Sims

(74) *Attorney, Agent, or Firm* — Harness, Dickey & Pierce,
P.L.C.

(57) **CLAIM**

The ornamental design for a clothes dryer, as shown and described.

DESCRIPTION

FIG. 1 is the front/right-side/top perspective view of a clothes dryer showing our new design;
FIG. 2 is the front elevational view thereof;
FIG. 3 is the rear elevational view thereof;
FIG. 4 is the left-side elevational view thereof;
FIG. 5 is the right-side elevational view thereof;
FIG. 6 is a top plan view thereof; and,
FIG. 7 is the bottom plan view thereof.
The shade lines in the Figures show the transparency and the flatness, and not surface ornamentation.
The broken lines shown in the drawings represent unclaimed portions of clothes dryer.

1 Claim, 7 Drawing Sheets

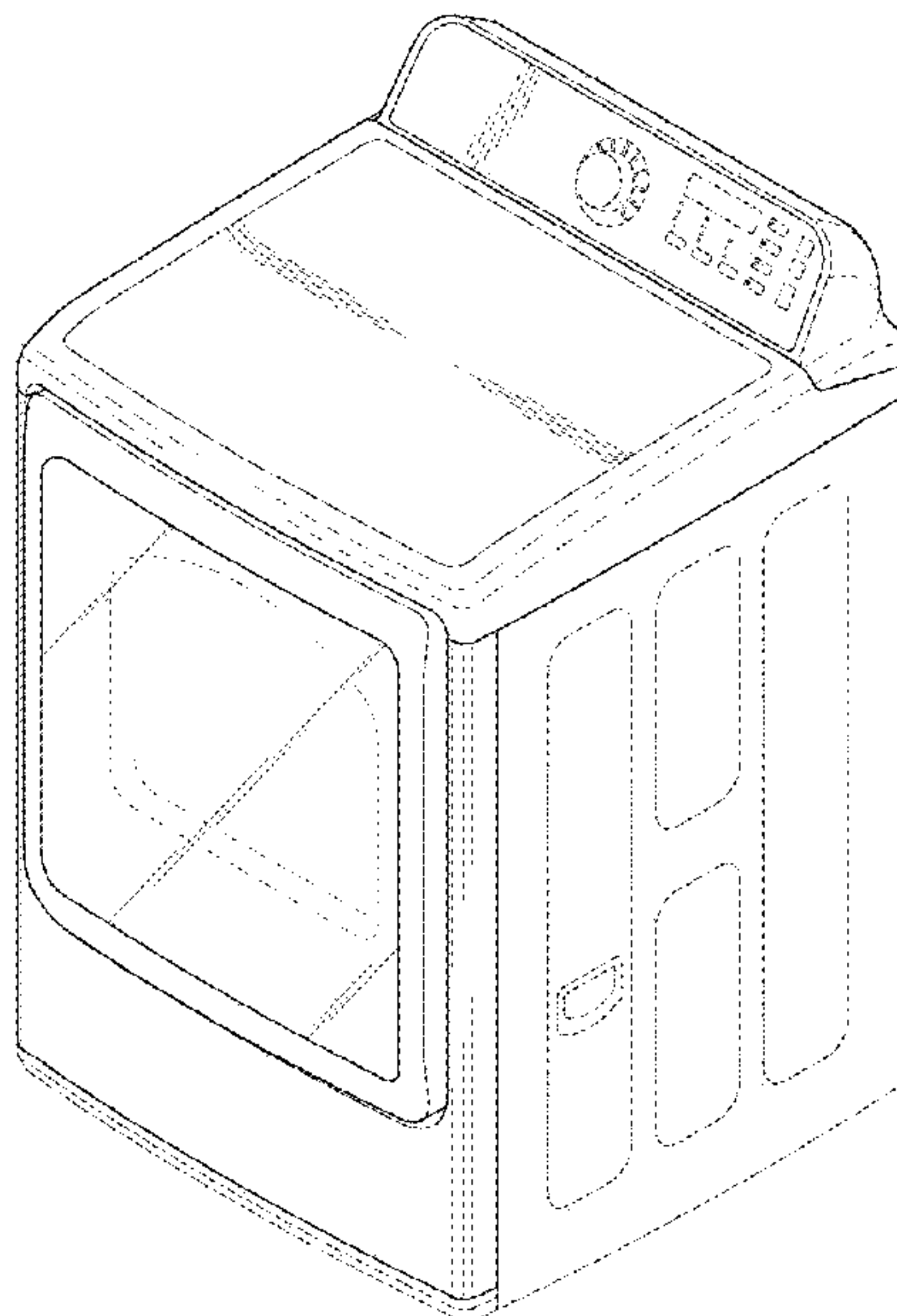


FIG. 1

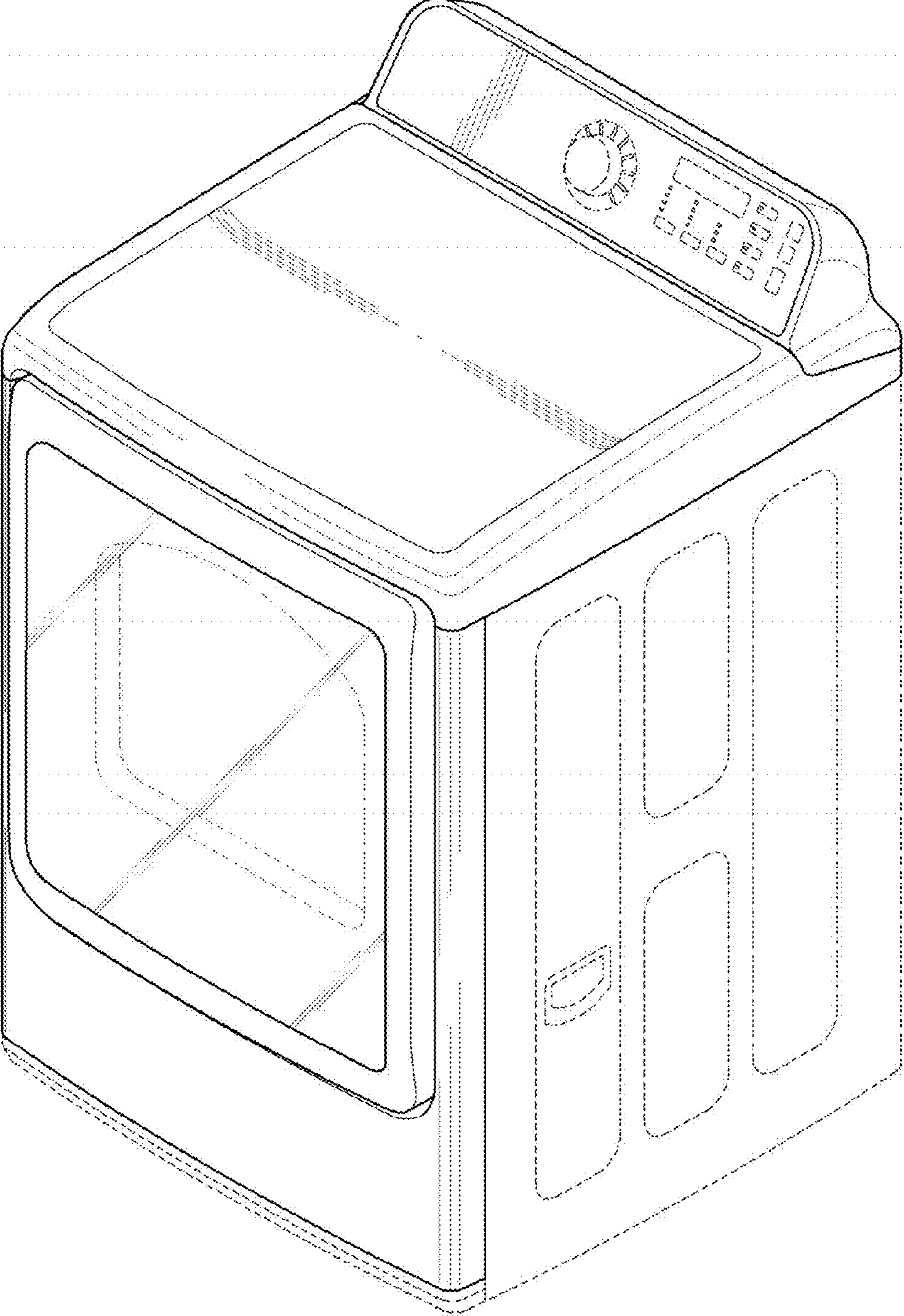


FIG. 2

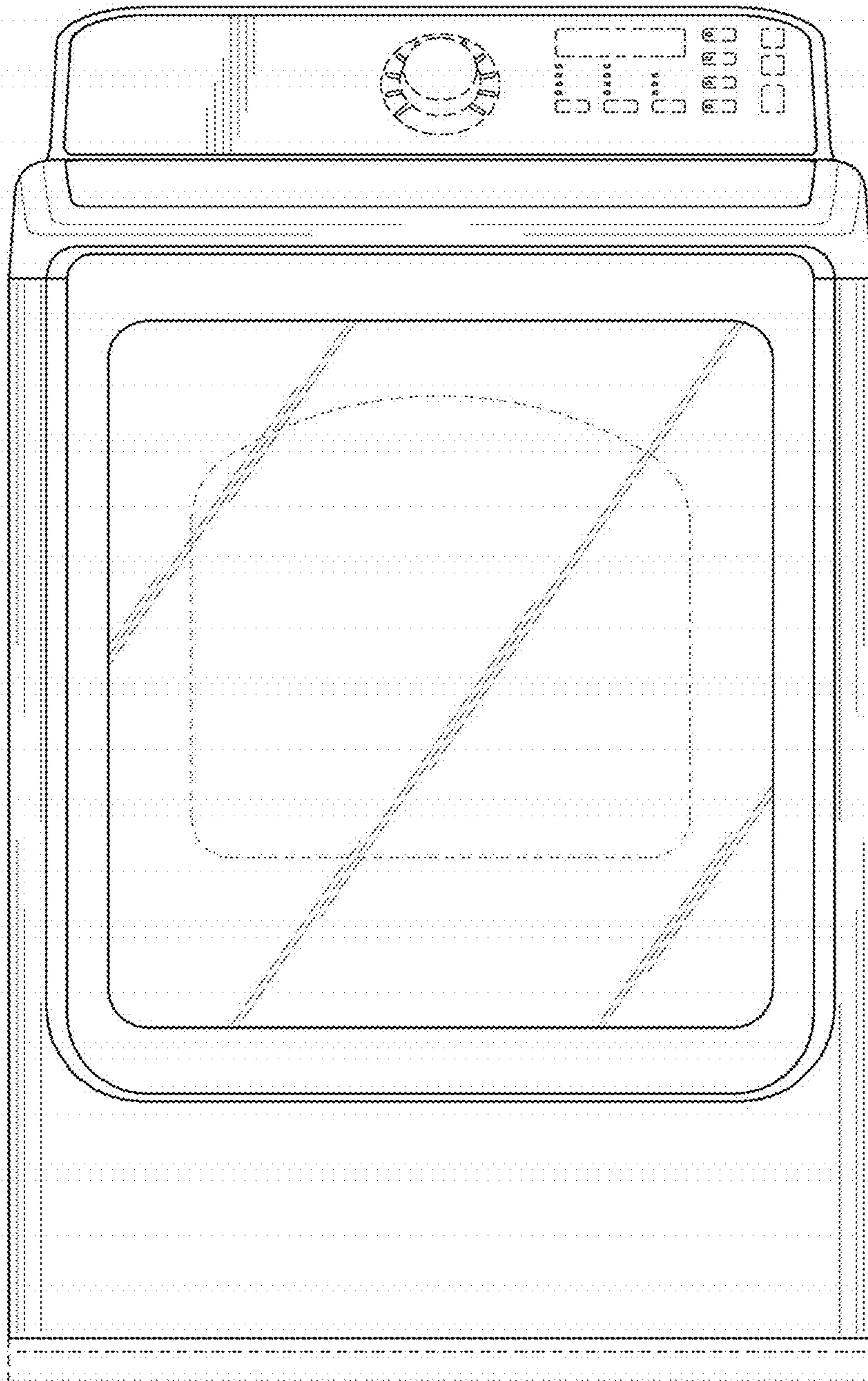


FIG. 3

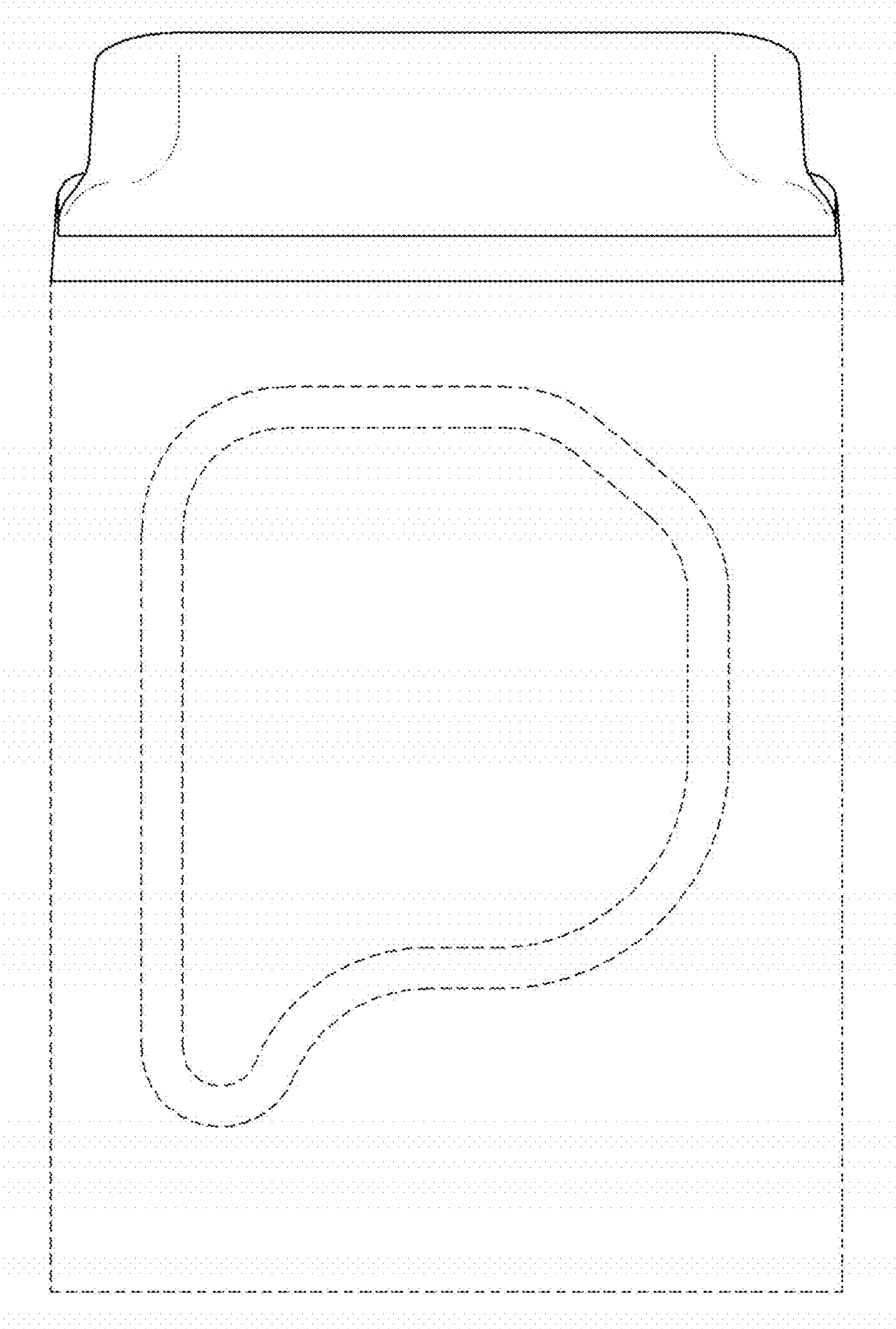


FIG. 4

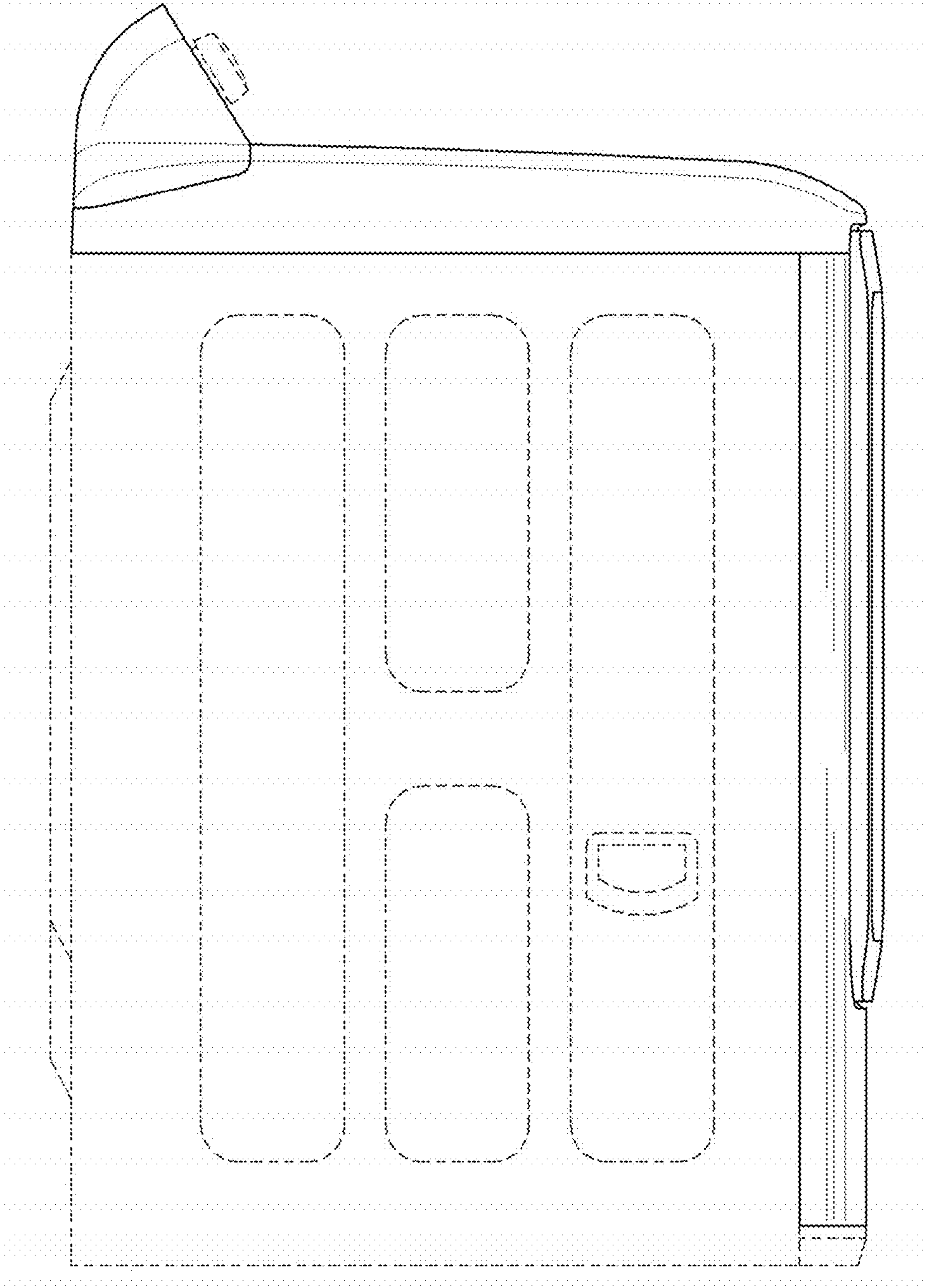


FIG. 5

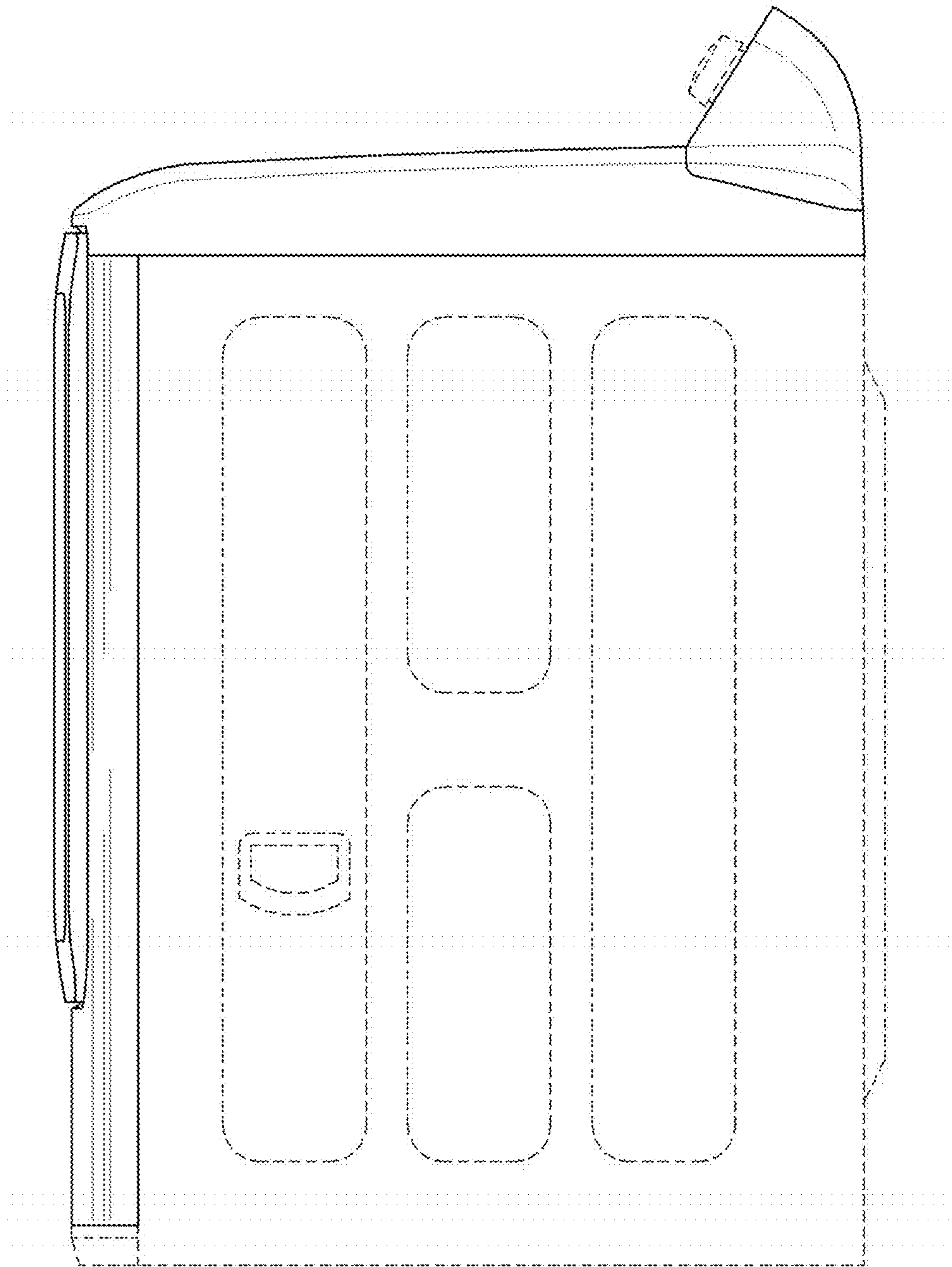


FIG. 6

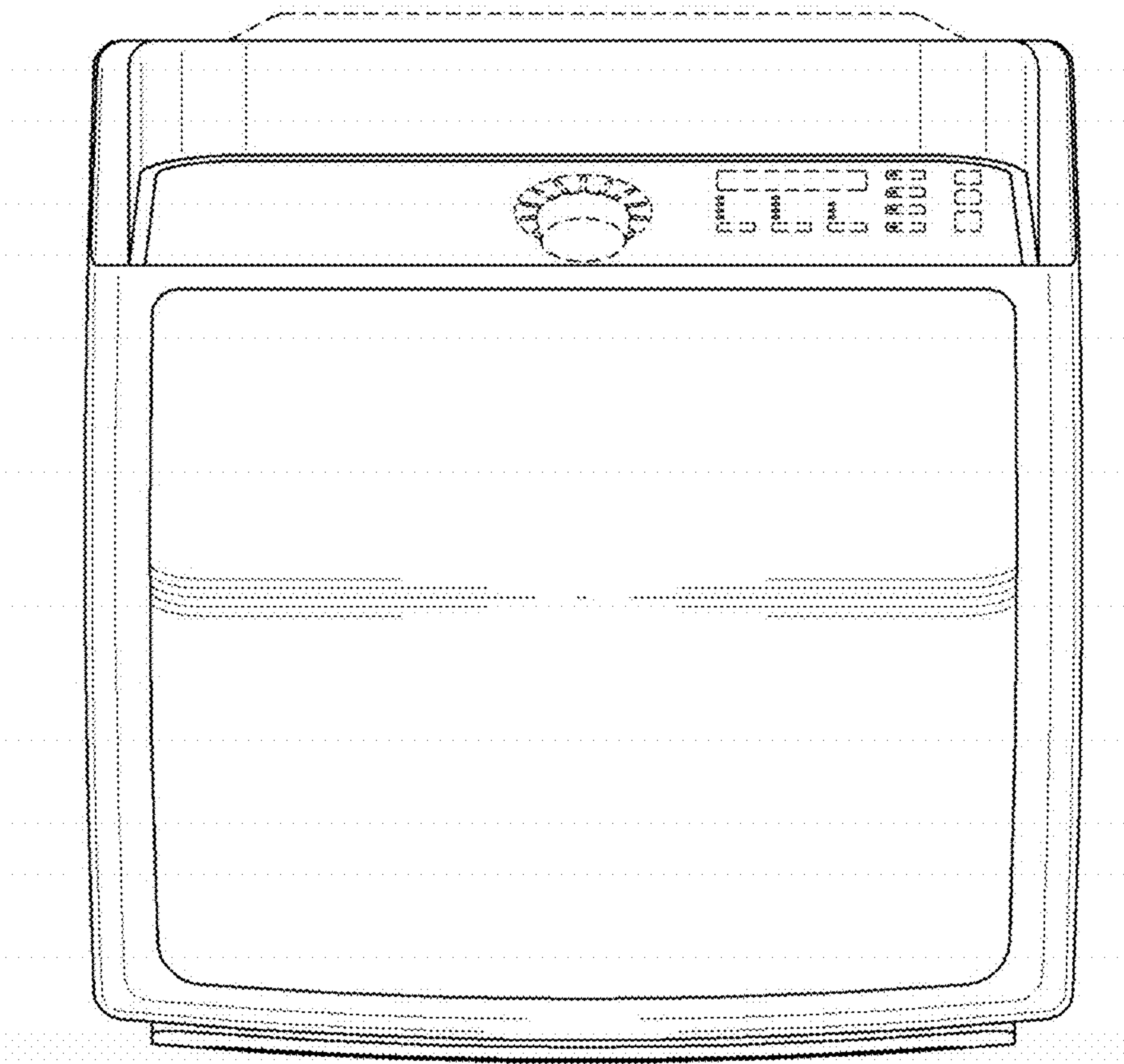


FIG. 7

