



US00D700408S

(12) **United States Design Patent**
Dixon et al.

(10) **Patent No.:** **US D700,408 S**

(45) **Date of Patent:** **** Feb. 25, 2014**

- (54) **ELEVATED PET FEEDER WITH STORAGE**
- (71) Applicant: **Bergan, LLC**, Monkey Island, OK (US)
- (72) Inventors: **Kirk Dixon**, Claremore, OK (US);
David Price, Miami, OK (US); **Todd Stolte**, Baxter Springs, KS (US)
- (73) Assignee: **Bergan, LLC**, Monkey Island, OK (US)

4,532,891	A *	8/1985	Jones	119/61.54
4,559,905	A *	12/1985	Ahrens	119/73
4,633,815	A *	1/1987	Peterson et al.	119/72
4,646,687	A *	3/1987	Peterson et al.	119/73
D291,643	S *	9/1987	Morris	D7/605
4,699,089	A	10/1987	Teschke	
4,739,727	A *	4/1988	Boyer	119/73
4,856,459	A *	8/1989	Wiseman et al.	119/73
4,883,022	A *	11/1989	Barker	119/73
4,922,858	A *	5/1990	Ahrens	119/73

(Continued)

(**) Term: **14 Years**

(21) Appl. No.: **29/467,311**

(22) Filed: **Sep. 18, 2013**

(51) **LOC (10) Cl.** **30-03**

(52) **U.S. Cl.**
USPC **D30/133**; D30/131; D30/130

(58) **Field of Classification Search**
USPC D30/133, 121, 128, 130, 132; 119/52.1,
119/55, 61.5-61.56; D6/480-485; 248/188;
312/204; 108/153.1-157

See application file for complete search history.

(56) **References Cited**

U.S. PATENT DOCUMENTS

D97,530	S *	11/1935	Knapp	D7/364
D101,329	S *	9/1936	Cory	D7/364
D107,453	S *	12/1937	Preston	D7/364
D109,359	S *	4/1938	Stocker	D7/364
3,180,316	A *	4/1965	Chatfield et al.	119/51.12
D205,820	S *	9/1966	Ryan	D7/364
D218,908	S *	10/1970	Bright et al.	D7/605
3,561,589	A *	2/1971	Larkin et al.	224/42.11
3,631,840	A *	1/1972	McCormack	119/51.12
D232,870	S *	9/1974	Fry	D12/419
3,899,161	A *	8/1975	McGann, Jr.	269/13
3,939,986	A *	2/1976	Pierro	211/74
4,022,160	A *	5/1977	Lester	119/51.01
D246,245	S *	11/1977	Gill et al.	D7/364
4,065,195	A *	12/1977	Fahmie	312/258
D260,958	S *	9/1981	Nishikawa	D7/357

FOREIGN PATENT DOCUMENTS

CN 200987315 12/2007

OTHER PUBLICATIONS

Wayfair.com; "Raised Feeders Signature Series Pet Feeder in Black";
<http://www.wayfair.com/Raised-Feeders-Signature-Series-Pet-Feeder-in-Black-HF-X-RMF1003.html>; Jul. 2013.

(Continued)

Primary Examiner — Susan Moon Lee

(74) *Attorney, Agent, or Firm* — Head, Johnson & Kachigian, P.C.

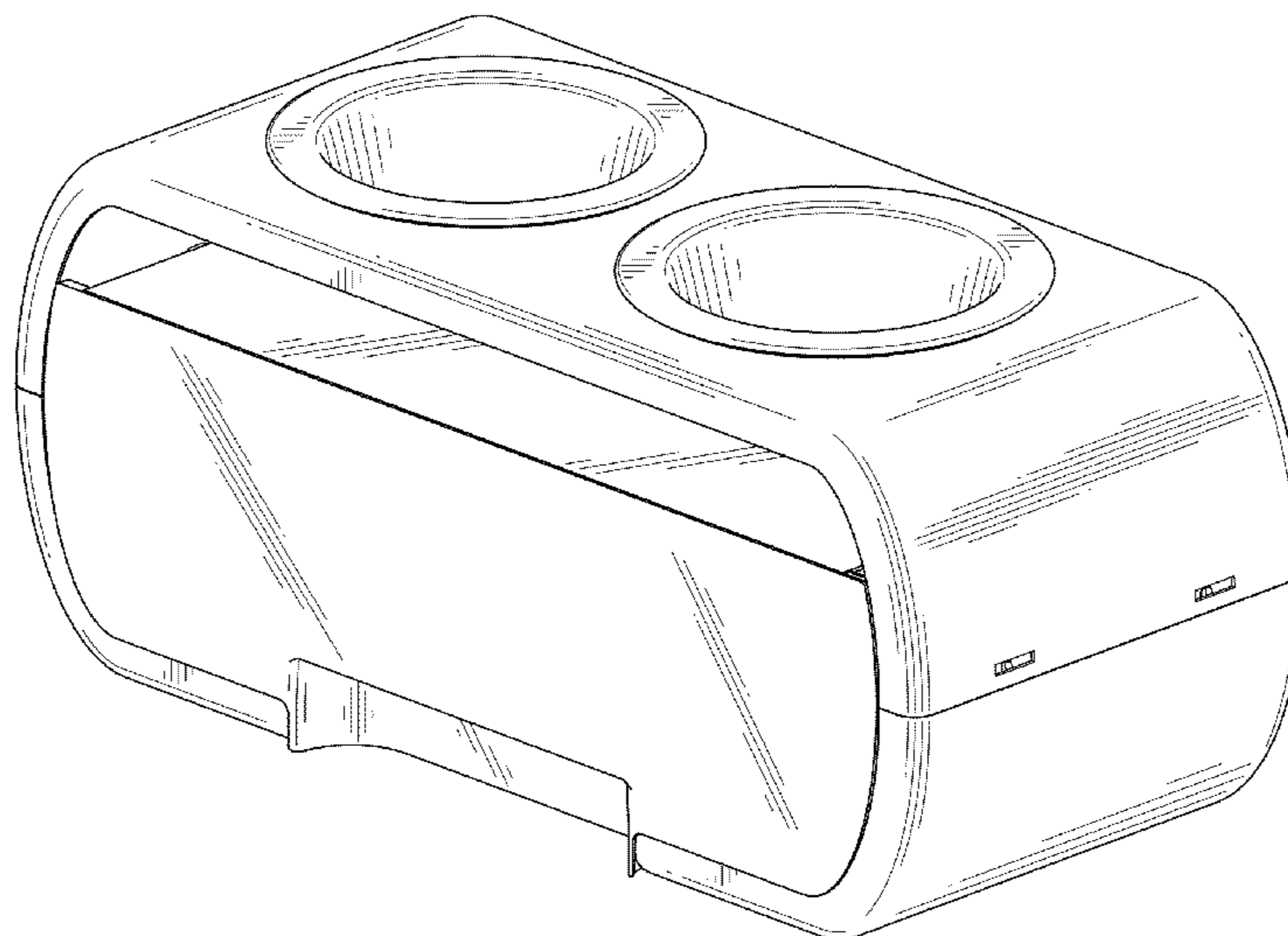
(57) **CLAIM**

The ornamental design for an elevated pet feeder with storage, as shown and described.

DESCRIPTION

FIG. 1 is a perspective view of the elevated pet feeder with storage;
FIG. 2 is a top view thereof;
FIG. 3 is a front view thereof;
FIG. 4 is a back view thereof;
FIG. 5 is a bottom view thereof;
FIG. 6 is a right side view thereof; and,
FIG. 7 is a left side view thereof.

1 Claim, 4 Drawing Sheets



(56)

References Cited

U.S. PATENT DOCUMENTS

D316,214	S *	4/1991	O'Donnell	D8/14
D322,887	S *	1/1992	Kraker	D12/420
5,152,247	A *	10/1992	Brown	119/464
5,174,245	A *	12/1992	Bishop	119/73
D335,767	S *	5/1993	Yates	D12/419
D336,218	S *	6/1993	Hague	D7/701
D338,285	S *	8/1993	Chrisco	D30/121
5,350,081	A *	9/1994	Graham	220/737
D355,544	S *	2/1995	Cartwright	D6/469
5,526,773	A *	6/1996	Richardson	119/51.5
D373,449	S *	9/1996	Chen	D30/130
D374,856	S *	10/1996	Berninger	D12/419
5,560,315	A	10/1996	Lampe	
5,632,228	A *	5/1997	Ybarra	119/51.5
D393,107	S *	3/1998	Tsengas	D30/121
5,730,081	A *	3/1998	Tsengas	119/51.5
5,738,037	A *	4/1998	Mahan	119/72
D408,225	S *	4/1999	Hodosh	D7/605
D424,252	S *	5/2000	Hirsh	D30/130
6,145,474	A	11/2000	Lemkin	
6,427,626	B1	8/2002	Quinlan et al.	
D467,045	S *	12/2002	Tsengas	D30/130
D486,274	S *	2/2004	Tsengas	D30/130
6,705,249	B2 *	3/2004	Quinlan et al.	119/51.01
D491,012	S *	6/2004	Rogers	D7/364
D491,697	S *	6/2004	Tsengas	D30/130
6,786,177	B1	9/2004	Lemkin	
D499,029	S *	11/2004	Maarberg	D10/46.3
7,073,461	B2	7/2006	Gonet	
7,124,709	B1	10/2006	Greer	
D617,134	S *	6/2010	Perkins	D7/364
7,762,211	B1 *	7/2010	McDaniel	119/51.5
D621,560	S	8/2010	McMurphy	
7,938,083	B1 *	5/2011	Huether et al.	119/61.5
D647,667	S	10/2011	Siklosi	
D647,668	S	10/2011	Siklosi	
D651,039	S *	12/2011	O'Neill et al.	D7/364
D651,845	S *	1/2012	O'Neill et al.	D7/364
D667,175	S *	9/2012	McMurphy	D30/133
D685,141	S	6/2013	Dixon	
2008/0216754	A1	9/2008	Lorenzana et al.	
2009/0001231	A1 *	1/2009	Casanova	248/176.1
2009/0241844	A1	10/2009	Becattini, Jr. et al.	
2010/0107984	A1 *	5/2010	Uffner et al.	119/61.5
2011/0114025	A1 *	5/2011	McMurphy	119/51.5
2011/0180006	A1	7/2011	McGowan	

OTHER PUBLICATIONS

Fingerhut; "Pet Feeder with Storage Drawer"; http://www.fingerhut.com/product/pet-feeder-with-storage-drawer/pe055.uts?CTid=1129&CTKey=FHTPLA&ci_src=17588969&ci_sku=4PE0550000010; Jul. 2013.
 Bed, Bath & Beyond; "Pet Feeding Supplies"; <http://www.bedbathandbeyond.com/product.asp?SKU=125671>; Jul. 2013.

* cited by examiner

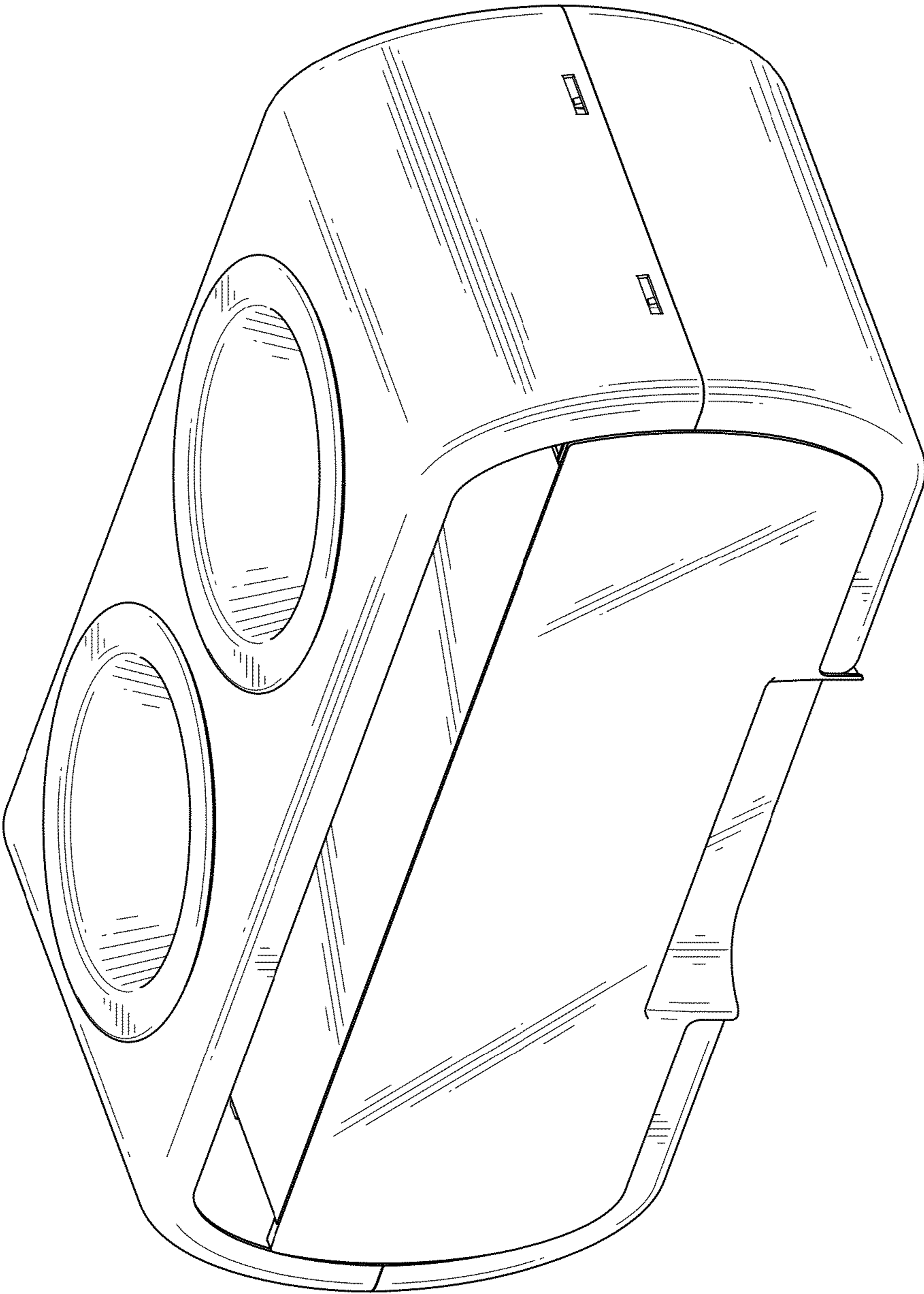


FIG. 1

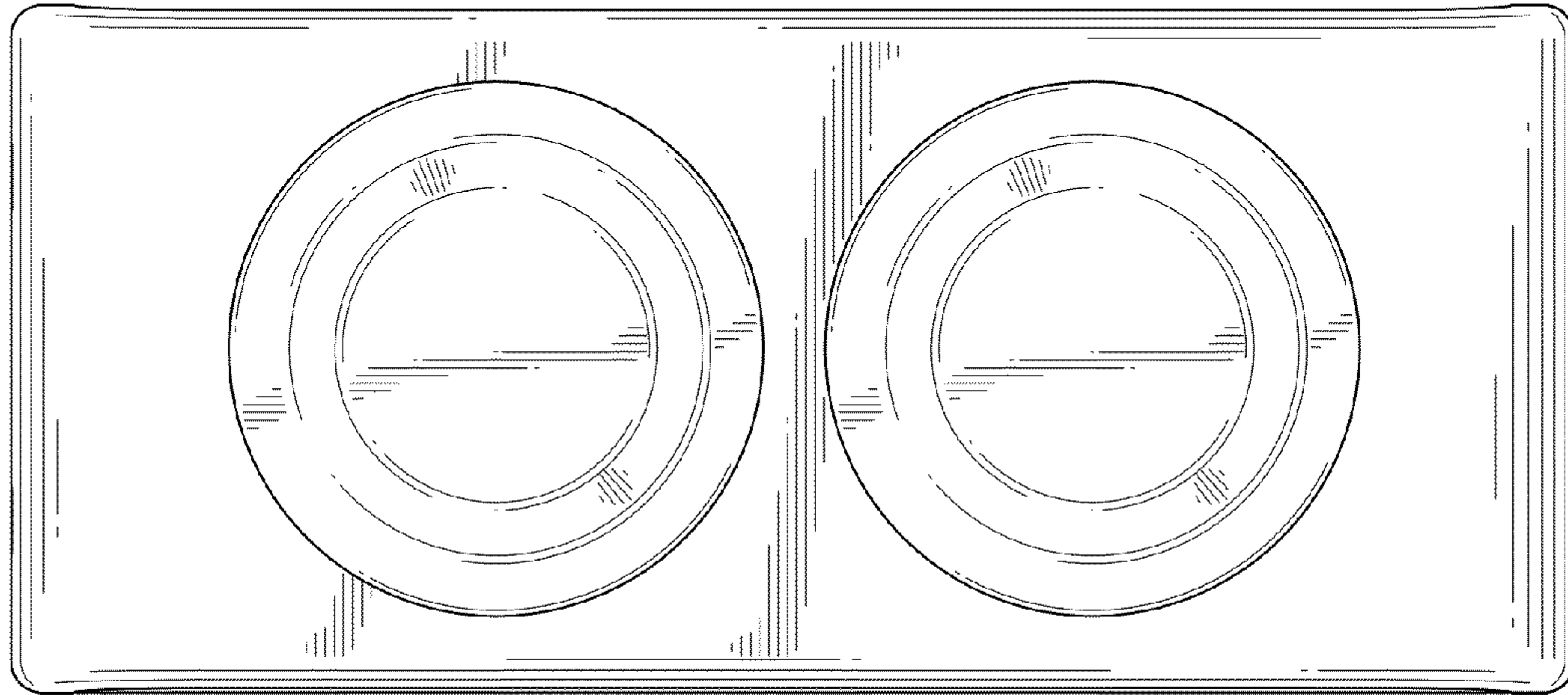


FIG. 2

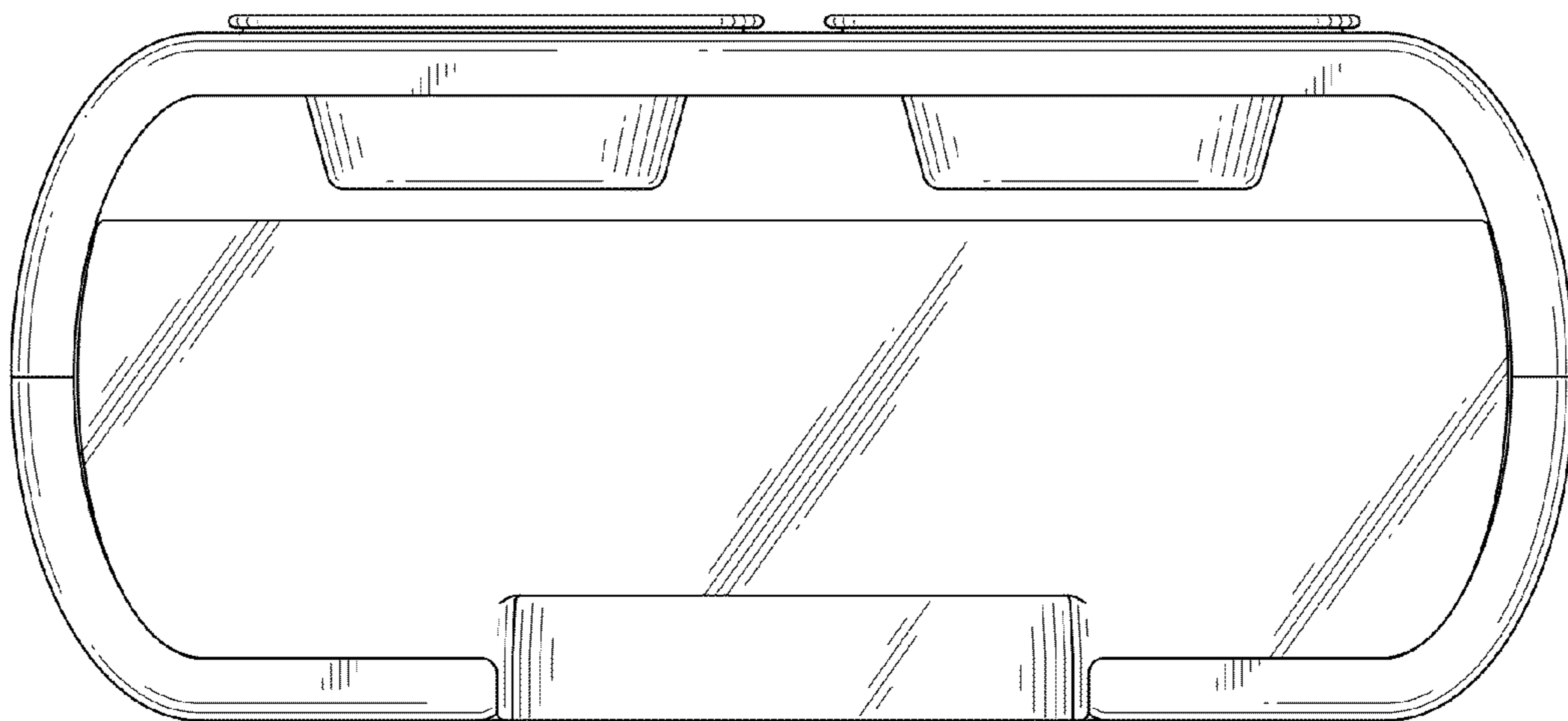


FIG. 3

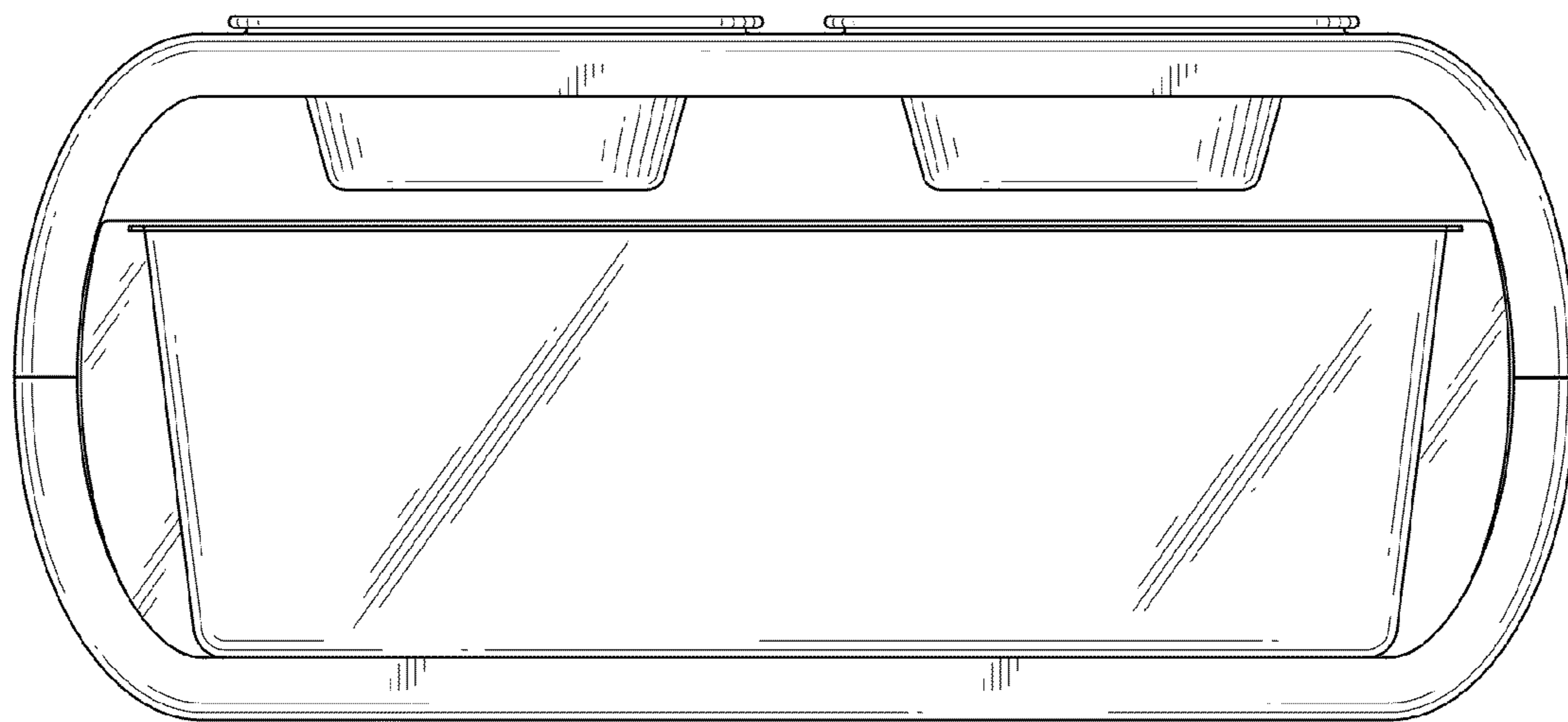


FIG. 4

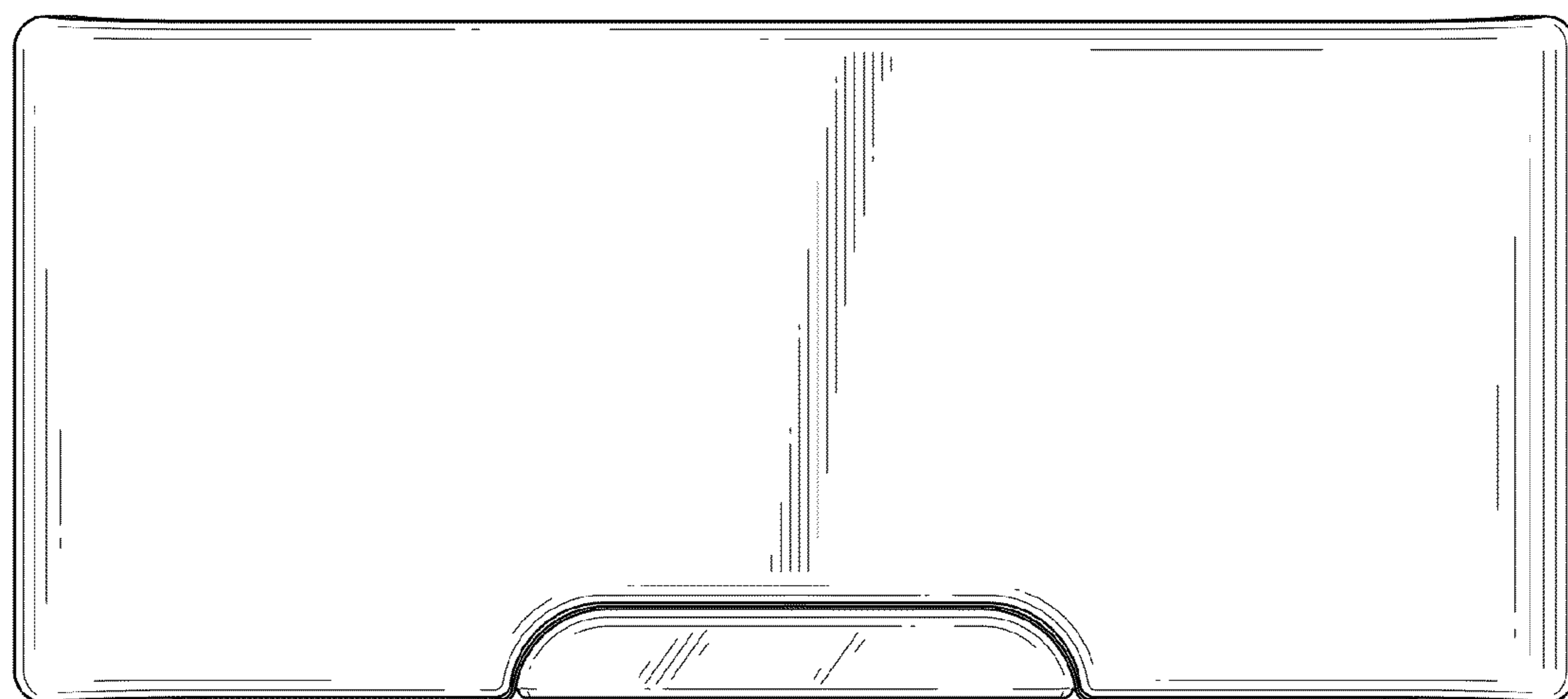


FIG. 5

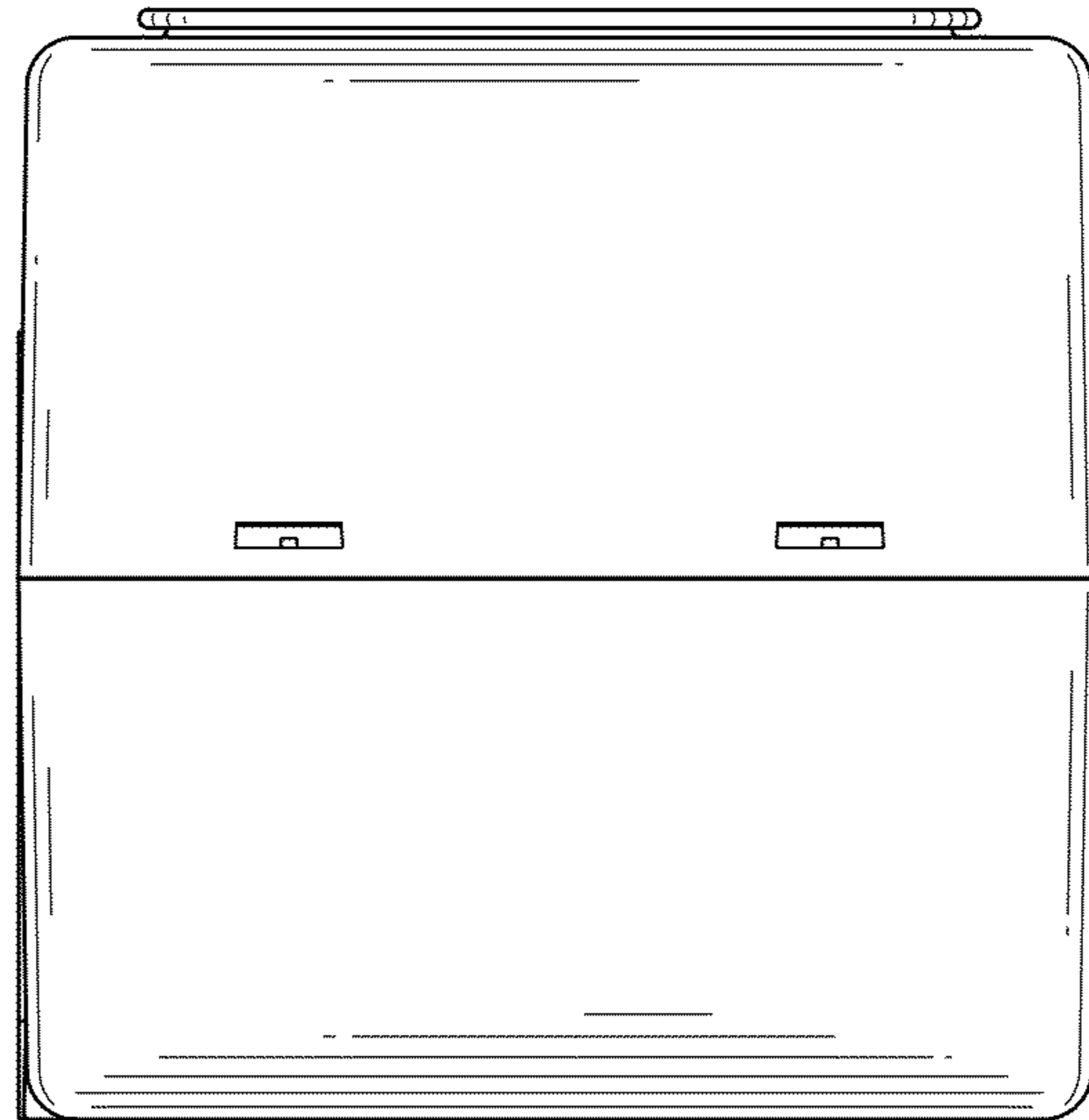


FIG. 6

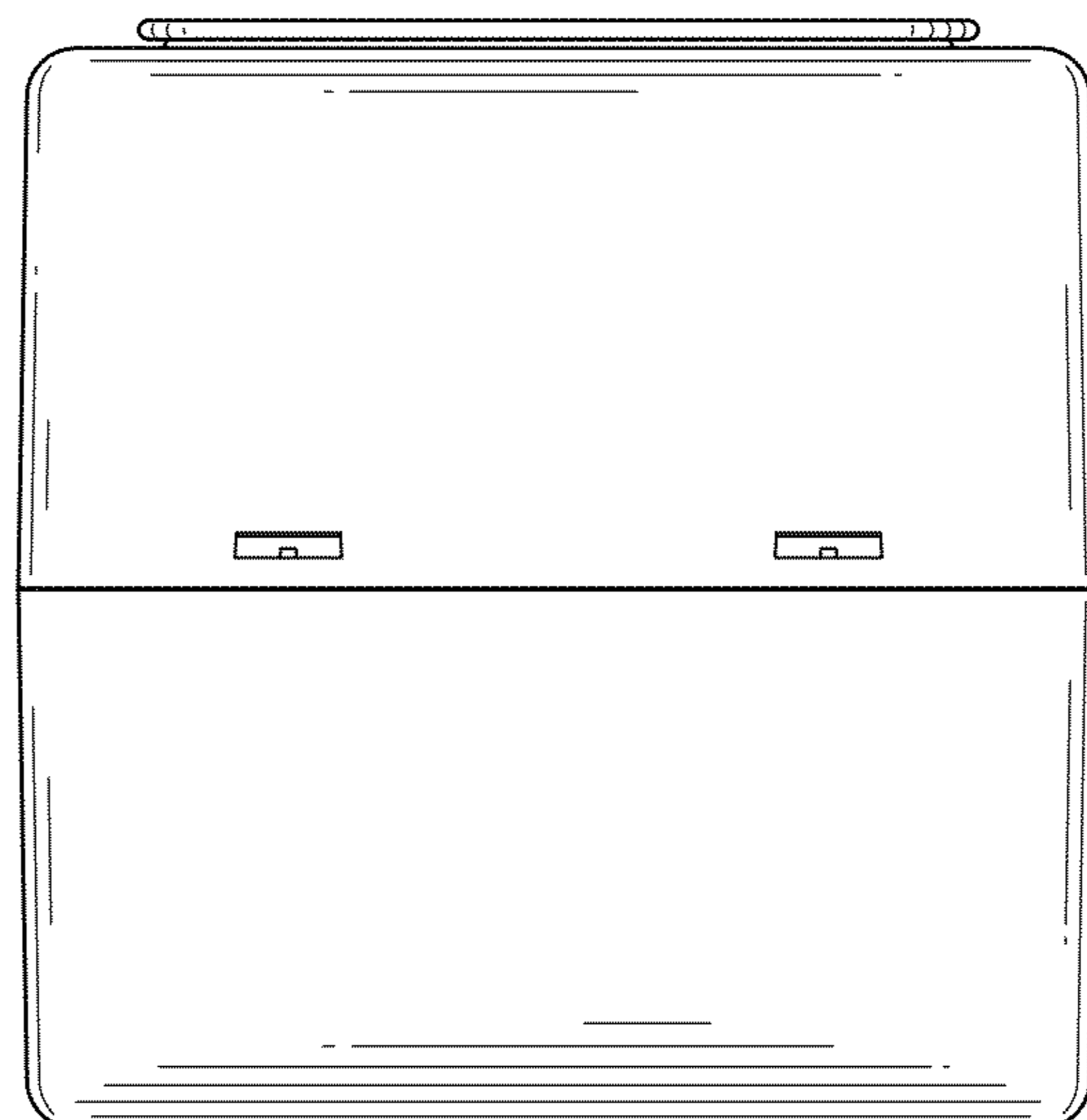


FIG. 7